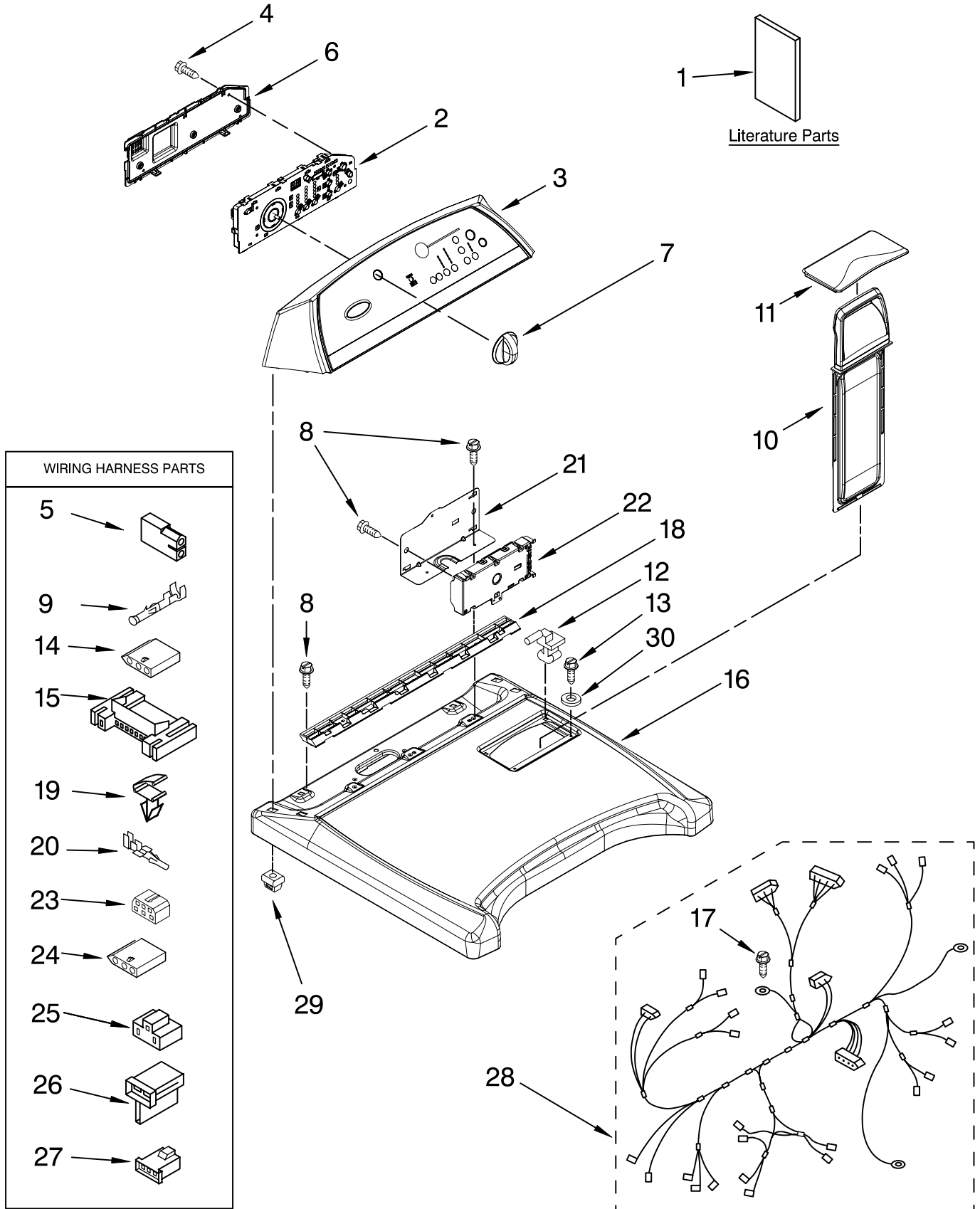




TOP AND CONSOLE PARTS

For Models: WGD6400SW0, WGD6400SB0, WGD6400SG0
(White/Grey) (Black) (Biscuit/Gold)

29" GAS DRYER



FOR ORDERING INFORMATION REFER TO PARTS PRICE LIST

TOP AND CONSOLE PARTS

For Models: WGD6400SW0, WGD6400SB0, WGD6400SG0
(White/Grey) (Black) (Biscuit/Gold)

| Illus. No. | Part No. | DESCRIPTION | Illus. No. | Part No. | DESCRIPTION | Illus. No. | Part No. | DESCRIPTION |
|------------|-----------|------------------|------------|-----------|--------------------|------------|-----------|--------------------|
| 1 | | Literature Parts | 7 | | Knob, Assembly | 19 | 3394427 | Clip-Harness |
| | W10054090 | Guide, | | 8574957 | White | 20 | 94613 | Terminal |
| | | Quick Start | | 8574959 | Black | 21 | 8563853 | Bracket, |
| | W10054080 | Use & Care Guide | | 8574958 | Biscuit | | | Machine Controller |
| | W10054160 | Wiring Diagram | 8 | 337686 | Screw, 8-18 x 1/2 | 22 | W10074280 | Control, |
| | | | 9 | 94614 | Terminal, Female | | | Electronic |
| | | | 10 | 8572270 | Assembly, | 23 | 3347243 | Connector |
| | | | | | Lint Screen | | | 6-Circuit |
| | | | 11 | | Cover, Lint Screen | 24 | 353424 | Connector Sensor |
| | | | | W10044320 | White | 25 | 3401144 | Connector, |
| | | | | W10044360 | Black | | | (PTS Relay) |
| | | | | W10044330 | Biscuit | 26 | 3403499 | Connector, |
| | | | 12 | W10044470 | Hinge, R.H. | | | 2-Position |
| | | | | W10044480 | Hinge, L.H. | | | (Gas Valve) |
| | | | 13 | 3196537 | Screw, 8-18 x 5/8 | 27 | 3403498 | Connector, |
| | | | 14 | 3936144 | Connector | | | 3-Position |
| | | | 15 | 3395683 | Connector | | | (Gas Valve) |
| | | | | | (Motor) | 28 | 8299917 | Harness, Wiring |
| | | | 16 | | Top | 29 | 8558853 | Screw, Grommet (2) |
| | | | | 8565025 | White | 30 | 237446 | Washer (Top/Chute) |
| | | | | 8565028 | Black | | | |
| | | | | 8565027 | Biscuit | | | |
| | | | 17 | 343641 | Screw, 10-16 x 1/2 | | | |
| | | | 18 | 8558863 | Bracket, Console | | | |

Following May Be Purchased

**DO-IT-YOURSELF
REPAIR MANUALS**

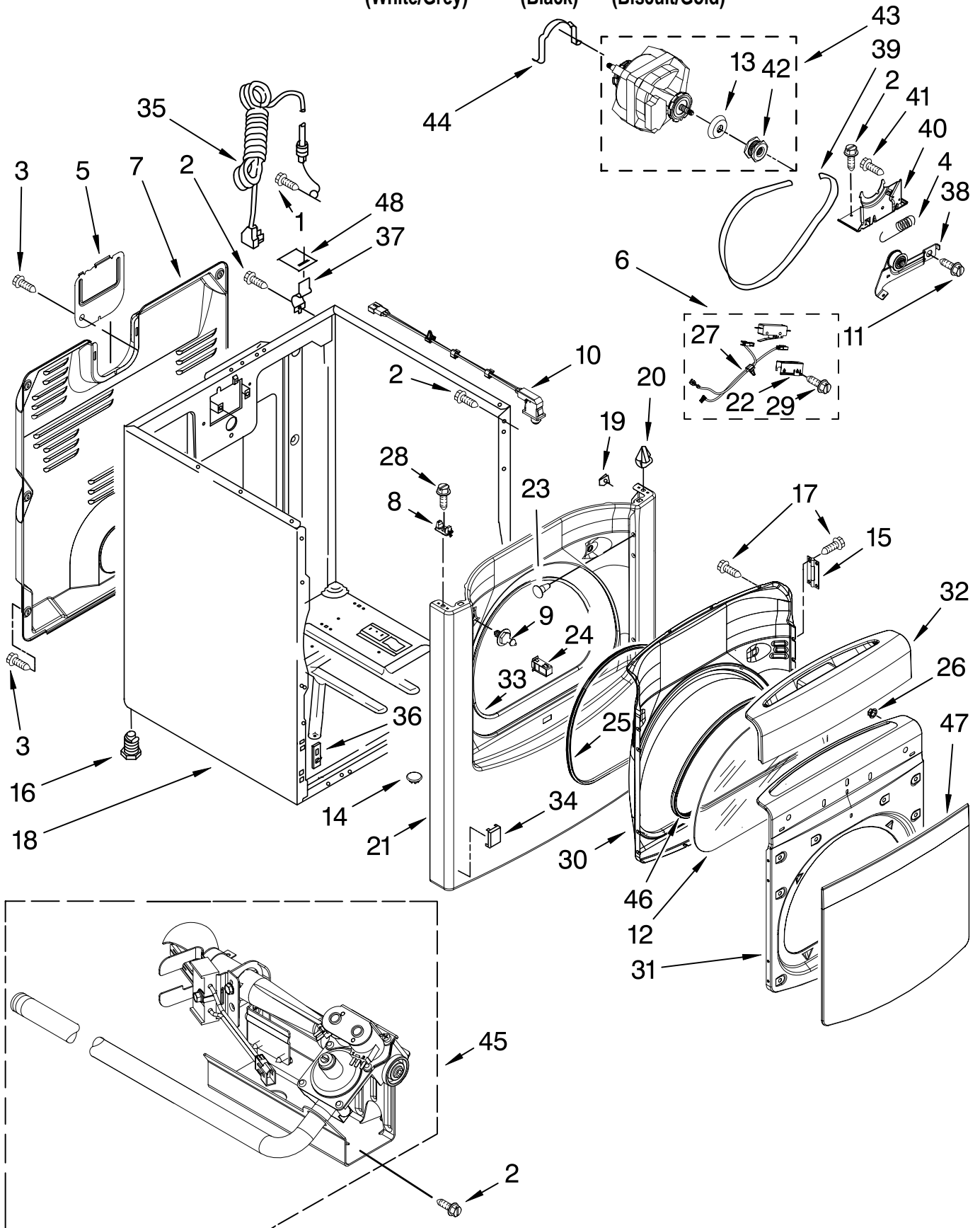
677818 Dryer

| | | |
|---|-----------|-----------------------------|
| 2 | 8563974 | Assembly, User Interface |
| 3 | | Panel, Console |
| | W10110325 | White |
| | W10110330 | Black |
| | W10110328 | Biscuit |
| 4 | W10003770 | Screw, 6-19 x 3/64 |
| 5 | 717252 | Plug, 2 Way Terminal |
| 6 | 8564265 | Cover, Rear UI-Assembly |

FOR ORDERING INFORMATION REFER TO PARTS PRICE LIST

CABINET PARTS

For Models: WGD6400SW0, WGD6400SB0, WGD6400SG0
(White/Grey) (Black) (Biscuit/Gold)



FOR ORDERING INFORMATION REFER TO PARTS PRICE LIST

CABINET PARTS

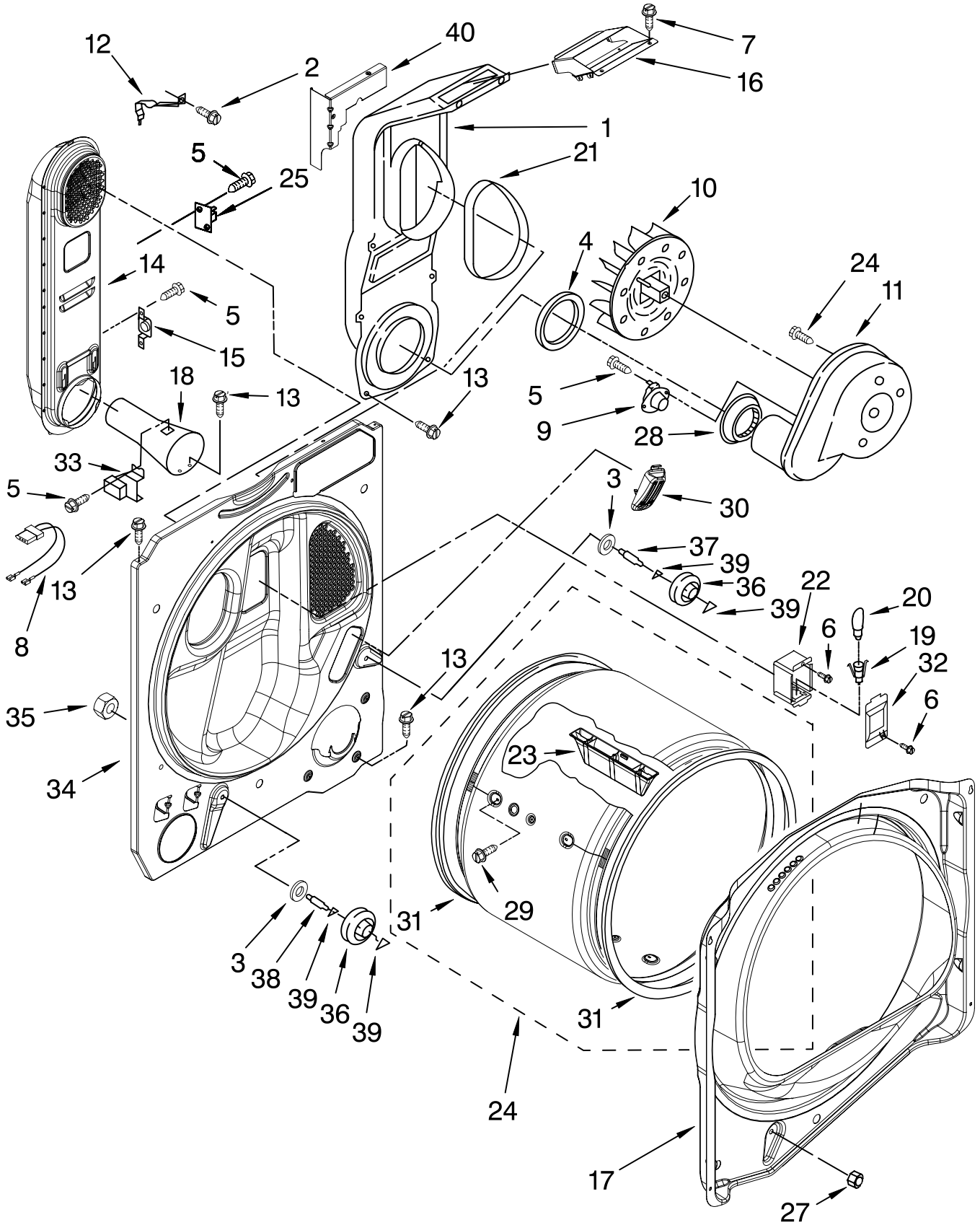
For Models: WGD6400SW0, WGD6400SB0, WGD6400SG0
(White/Grey) (Black) (Biscuit/Gold)

| Illus. No. | Part No. | DESCRIPTION | Illus. No. | Part No. | DESCRIPTION | Illus. No. | Part No. | DESCRIPTION |
|------------|-----------|--|------------|-----------|-----------------------|------------|-----------|--|
| 1 | 8533974 | Screw, Ground | 19 | W10007520 | Clip, Ground (2) | 32 | | Handle, Door |
| 2 | 3390631 | Screw, 10-16 x 1/2 | 20 | 8576625 | Lock, Front Top (2) | | 8573847 | White |
| 3 | 693995 | Screw, Hex Head | 21 | | Panel, Front | | W10050100 | Black |
| 4 | 3387374 | Spring, Idler | | | (Includes Illus. 34.) | | 8573848 | Biscuit |
| 5 | 8558833 | Cover, Terminal Block | | 8565033 | White | 33 | W10044490 | Seal, Front Panel |
| 6 | 8566208 | Assembly, Switch | | 8565036 | Black | 34 | | Plug, Front Panel |
| 7 | 8558830 | Panel, Rear | | 8565035 | Biscuit | | 8564457 | White |
| 8 | 8568303 | Locator, Snap Down | 22 | 8564011 | Bracket, Switch | | 8573008 | Black |
| 9 | 8572983 | Door Strike | 23 | | Plug-Hole | | 8573005 | Biscuit |
| 10 | 3978977 | Door Switch Assembly | | 3404413 | White | 35 | 344020 | Power Cord |
| 11 | 3389420 | Retainer-Idler 1/4-20 x 1/16 | | 3404416 | Black | 36 | 3394083 | Clip, Front Panel |
| 12 | 8565015 | Glass, Inner Door | 24 | 8572982 | Assembly, Door Catch | 37 | 238088 | Hinge, Top (2) |
| 13 | 8578538 | Belt Restrainer | 25 | 8575027 | Seal, Door | 38 | 8547174 | Idler & Pulley Assembly |
| 14 | 8578560 | Hole-Plug Assembly, Hinge & Pin | 26 | 308499 | Pal Nut (4) | 39 | 8547168 | Belt, Drive |
| 15 | 8565018 | White | 27 | 8539897 | Jumper, (Belt Switch) | 40 | 8547166 | Base Motor |
| | W10050090 | Black | 28 | W10100830 | Screw, 10-16 x 3/64 | 41 | W10002600 | Screw |
| | W10050050 | Biscuit | 29 | 8539897 | Screw | 42 | 8578565 | Pulley, 60 HZ |
| 16 | 3392100 | Foot, Dryer | 30 | | Door Inner | 43 | 8566152 | Motor, Assembly 60 HZ |
| | 279810 | Foot-Optional (Extended Length) (Package of 2) (Not Included.) | | 8565037 | White | 44 | 660658 | Clamp, Motor |
| | | | 31 | 8575052 | Black/Grey | 45 | 8557890 | Burner, Assembly 60 HZ (See Pages 7 & For Further Burner Breakdown) |
| 17 | 342055 | Screw, 8-18 3/64 | | 8565042 | White | 46 | 8565016 | Gasket, Inner Door |
| 18 | | Cabinet | | 8575025 | Black | 47 | | Window Outer |
| | 8557569 | White | | 8575024 | Biscuit | | 8575030 | White |
| | W10045390 | Black | | | | | 8575049 | Black |
| | 8572115 | Biscuit | | | | | 8575050 | Biscuit |
| | | | | | | 48 | 18849 | Pad, Top Hinge |

FOR ORDERING INFORMATION REFER TO PARTS PRICE LIST

BULKHEAD PARTS

For Models: WGD6400SW0, WGD6400SB0, WGD6400SG0
(White/Grey) (Black) (Biscuit/Gold)



FOR ORDERING INFORMATION REFER TO PARTS PRICE LIST

BULKHEAD PARTS

For Models: WGD6400SW0, WGD6400SB0, WGD6400SG0
(White/Grey) (Black) (Biscuit/Gold)

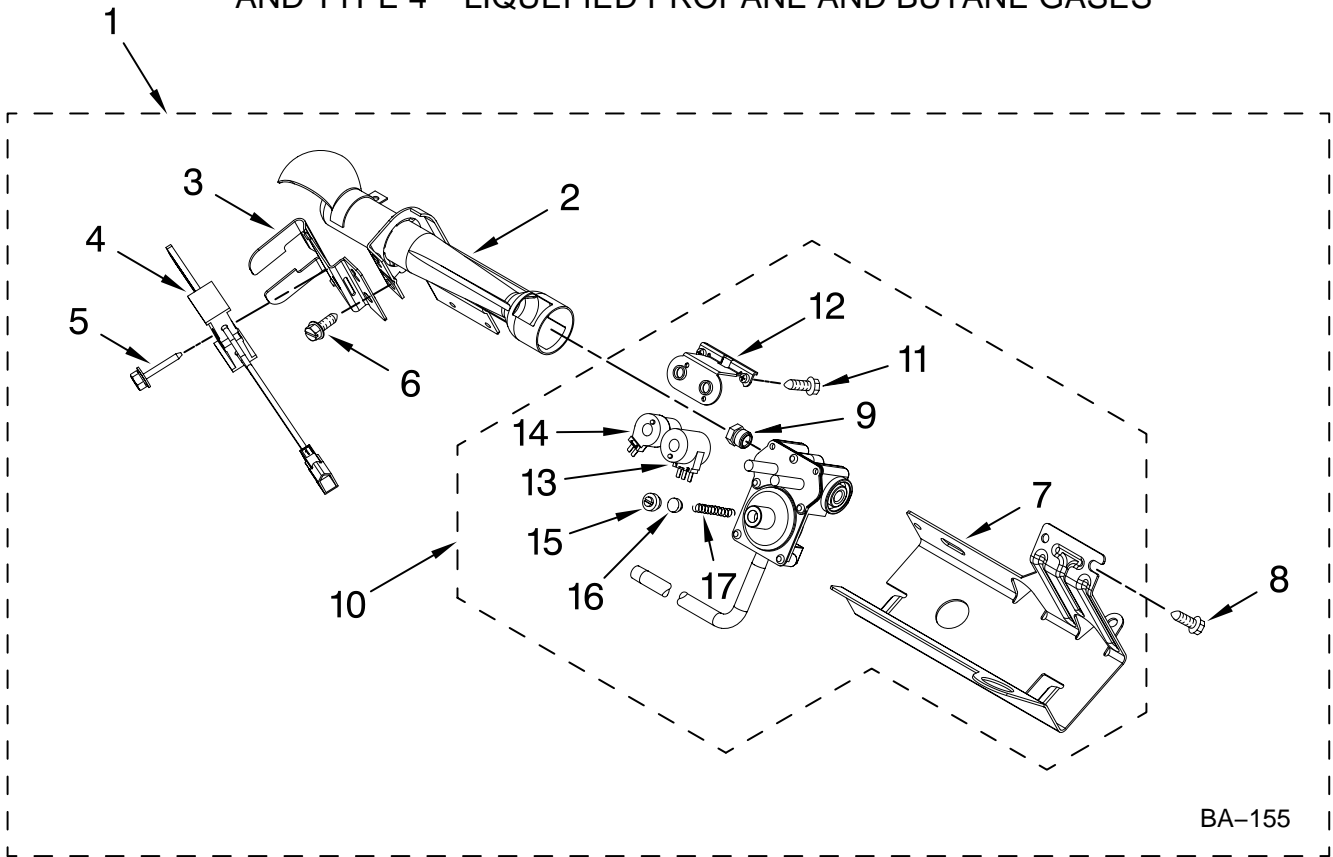
| Illus. No. | Part No. | DESCRIPTION |
|------------|-----------|---|
| 1 | 8544805 | Lint Chute Assembly |
| 2 | 489463 | Screw, 8-18 x 5/8 |
| 3 | 3387459 | Washer-Support |
| 4 | 347139 | Seal, Lint Chute |
| 5 | 90767 | Screw, 8-18 x 3/8 |
| 6 | 487909 | Screw, 8-15 x 1/2 |
| 7 | 3196537 | Screw |
| 8 | 8539889 | Harness, Flame Switch |
| 9 | 8577274 | Thermister, Internal-Bias |
| 10 | 694089 | Wheel, Blower |
| 11 | 8577230 | Housing, Blower |
| 12 | 8546149 | Clip-Heater Box |
| 13 | 343641 | Screw, 10-16 x 1/2 |
| 14 | 8544803 | Box, Heater |
| 15 | 3403140 | Thermostat, 205°F (96°C) |
| 16 | 8544810 | Collar, Lint Chute |
| 17 | 8558890 | Bulkhead, Front |
| 18 | 8066049 | Funnel, Burner |
| 19 | 3403634 | Socket Assembly |
| 20 | 3406124 | Bulb |
| 21 | 8544813 | Seal, Lint Chute |
| 22 | 3977373 | Bracket, Drum Light |
| 23 | 8565688 | Baffle, Drum (3) |
| 24 | 8557272 | Drum, Assembly |
| 25 | 280010 | Kit, Thermal Cut-Off (Includes Illus. 15) |
| 27 | 3934666 | Nut, 3/8-16 (R.H.) |
| 28 | 8573836 | Shield, Exhaust |
| 29 | 97787 | Screw, 11-16 x 3/4 |
| 30 | 8576468 | Pad, Sensor |
| 31 | 8557277 | Seal, Drum |
| 32 | 3402841 | Lens, Drum Light |
| 33 | 338906 | Sensor, Radiant |
| 34 | 8557242 | Bulkhead |
| 35 | W10001120 | Nut, 3/8-16 |
| 36 | 8536973 | Roller Support |
| 37 | 8575324 | Shaft (R.H.) |
| 38 | 8575325 | Shaft (L.H.) |
| 39 | 690997 | Ring, Tri |
| 40 | W10053480 | Bracket, Lint Chute |

FOR ORDERING INFORMATION REFER TO PARTS PRICE LIST

8557890 BURNER ASSEMBLY

For Models: WGD6400SW0, WGD6400SB0, WGD6400SG0
(White/Grey) (Black) (Biscuit/Gold)

USE WITH TYPE 1 – NATURAL
AND TYPE 4 LIQUEFIED PROPANE AND BUTANE GASES



BA-155

| Illus. No. | Part No. | DESCRIPTION |
|------------|----------|---|
| 1 | 8557890 | Burner Assembly 60 Hz. (Type 1) (White Rodgers) |
| 2 | 688617 | Tube, Burner |
| 3 | 694298 | Bracket, Ignitor |
| 4 | 686590 | Ignitor |
| 5 | 3393909 | Screw & Washer (8-32 x 7/8) |
| 6 | 3390631 | Screw, 10-16 x 3/8 |
| 7 | 8544751 | Base, Burner |
| 8 | 3387057 | Screw, 8-18 x 3/8 |

| Illus. No. | Part No. | DESCRIPTION |
|------------|----------|---|
| 9 | 234826 | Orifice, Burner Type 1 |
| | 229742 | Type 4 (Butane) |
| | 234868 | Type 4 (Propane) |
| 10 | 8281924 | Valve, Gas 60 Hz. (Complete) (Includes Pipe & Illus. #7). |
| 11 | 694421 | Screw, 8-32 x 1/2 (2) |
| 12 | 8182790 | Bracket, Coil |
| 13 | 694540 | Coil, 60 Hz. (2 Terminal) (Main) |

| Illus. No. | Part No. | DESCRIPTION |
|------------|----------|--|
| 14 | 694539 | Coil, 60 Hz. (Split) (3 Terminal) (Pilot Position) |
| 15 | 694424 | Leak, Limiter |
| 16 | 694423 | Screw, Regulator Adjustment |
| 17 | 694422 | Spring, Regulator |

Following Parts Not Illustrated

49572 Conversion Kit (Type 1) to Type (4) LPG.

FOR ORDERING INFORMATION REFER TO PARTS PRICE LIST

OPTIONAL PARTS (NOT INCLUDED)

For Models: WGD6400SW0, WGD6400SB0, WGD6400SG0
(White/Grey) (Black) (Biscuit/Gold)

| Illus. | Part | |
|---------------|-------------|--------------------|
| No. | No. | DESCRIPTION |

ACCESSORY PARTS

| | | |
|--|-----------|---|
| | 279948 | Kit, Dryer Repair |
| | 346764 | Kit, Hold-Down (Gas Dryer Mobile Home Installation) |
| | W10071550 | Dry Rack |
| | 8522199 | Kit, Dryer Vent Testing |

PAINT, TOUCH-UP (1/2oz.)

| | | |
|--|---------|---------|
| | 72017 | White |
| | 4392899 | Biscuit |
| | 72032 | Black |

PAINT, PRESSURIZED SPRAY (12 oz.)

| | | |
|--|---------|--------------|
| | 350930 | White |
| | 4392901 | Biscuit |
| | 285006 | Black |
| | 350938 | Primer, Gray |

PAINT, BULK (1 qt.)

| | | |
|--|--------|---------------|
| | 799344 | White (Uncut) |
|--|--------|---------------|