

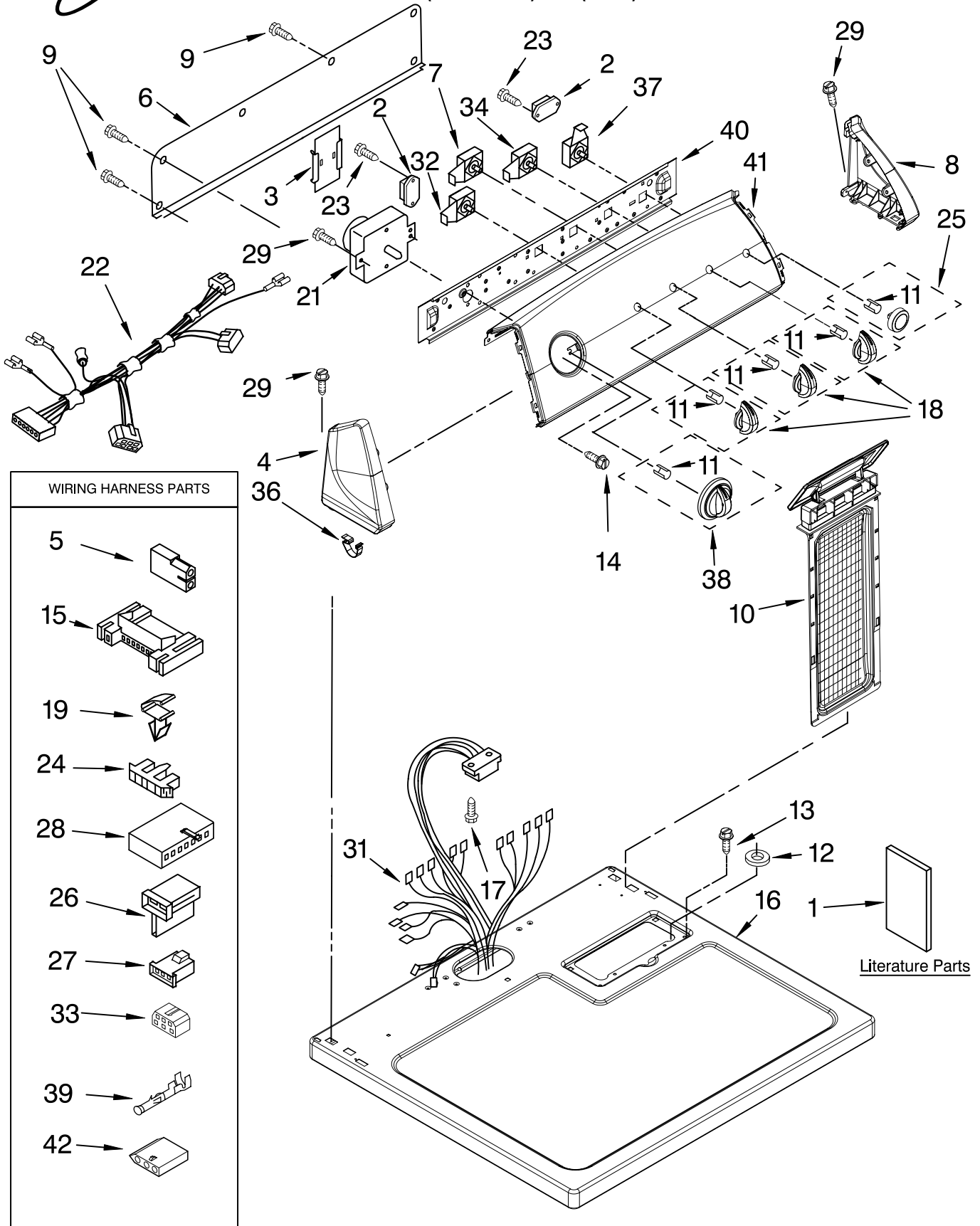


TOP AND CONSOLE PARTS

29" GAS DRYER

For Models: WGD5900SW0, WGD5900SB0

(White/Silver) (Black)



FOR ORDERING INFORMATION REFER TO PARTS PRICE LIST

TOP AND CONSOLE PARTS

For Models: WGD5900SW0, WGD5900SB0

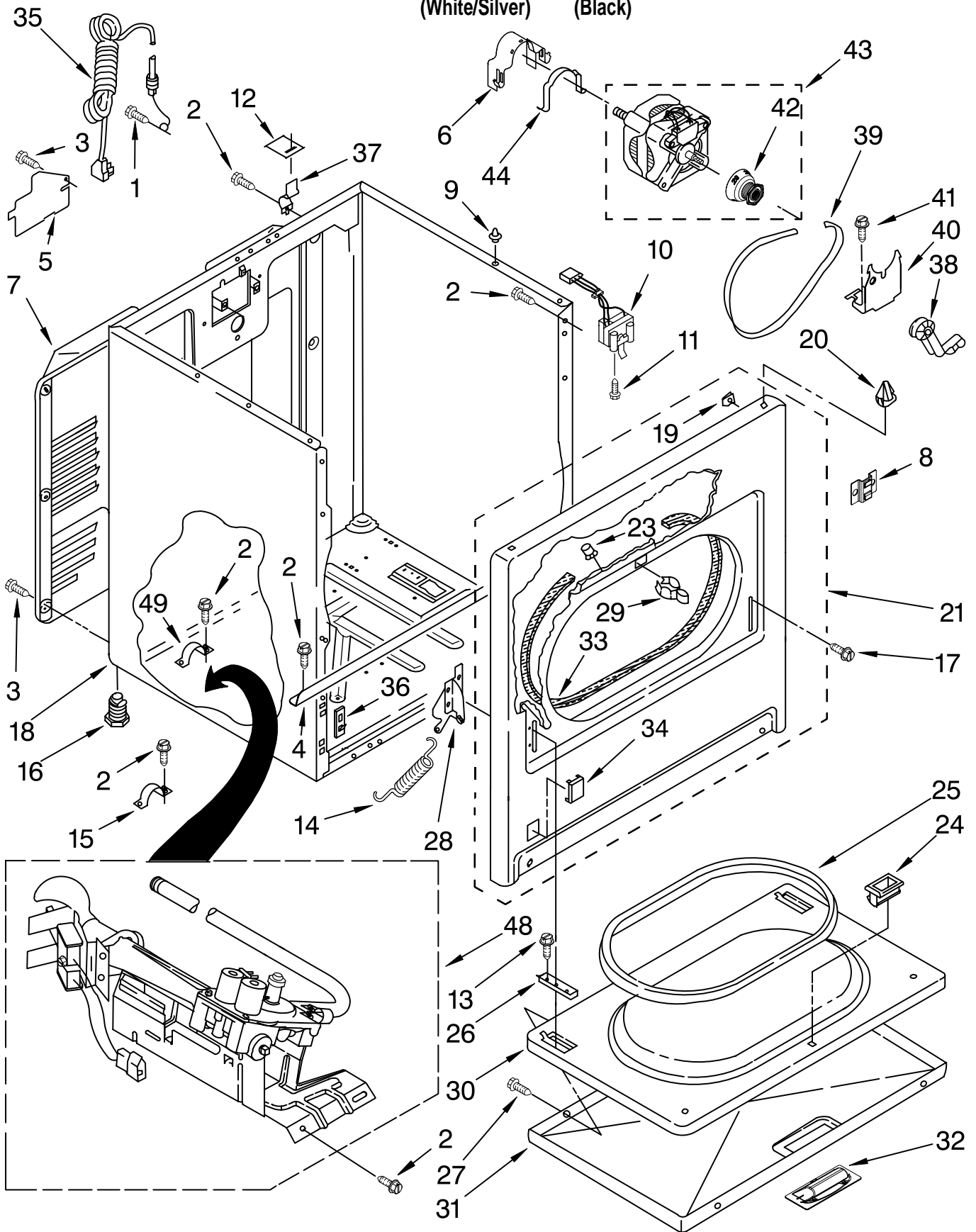
(White/Silver) (Black)

Illus. No.	Part No.	DESCRIPTION	Illus. No.	Part No.	DESCRIPTION	Illus. No.	Part No.	DESCRIPTION
1	8562582	Literature Parts Installation Instructions	9	693995	Screw, Hex Washer Head	26	3403499	Connector, 2-Position (Gas Valve)
	W10042910	Sheet, Cycle Feature	10	8557857	Screen, Lint White	27	3403498	Connector, 3-Position (Gas Valve)
	8578183	Use & Care Guide	11	8536939	Clip, Spring	28	3936150	Connector, 7-Circuit
	W10042940	Tech Sheet	12	237446	Washer (Top/Chute)	29	8533971	Screw, 8-18 x 5/16
	W10042920	Sheet, Feature Resource Saver	13	688983	Screw, 8-18 x 5/8	31	8299900	Harness, Wiring
Following May Be Purchased			14	8533951	Screw, Grounding	32	8299970	Switch, Temperature
DO-IT-YOURSELF REPAIR MANUALS			15	3395683	Connector (Motor)	33	3347243	Connector 6-Circuit
	677818	Dryer	16	W10028870	Top White	34	3405151	Switch, Signal
2	3405281	Power Relay (2)		W10028890	Black	36	8312709	Clip-Console
3	3976623	Control Board	17	343641	Screw, 10-16 x 1/2	37	3977456	Switch, Push-To-Start
4		Cap, End (L.H.)	18	W10034380	Knob, Control (3) Silver	38		Timer Knob Assembly
	8566035	White	19	3394427	Clip-Harness		W10034750	Silver
	8566037	Black	21	8299771	Timer Assembly (60 Hz.)	39	94614	Terminal, Female
5	717252	Plug, 2-Way Terminal	22	8283281	Harness, Console	40	8566052	Bracket, Control Panel, Control
6	8274261	Panel, Rear Console	23	3388228	Screw, 6-20 x 3/8	41		(Includes Illus. 35)
7	3405152	Switch, Wrinkle Shield Cap, End (R.H.)	24	3397269	Connector-Timer Knob, Push-To-Start		8566077	Silver
8	8566032	White	25	W10034770	Silver	42	3936144	Connector
	8566034	Black						

FOR ORDERING INFORMATION REFER TO PARTS PRICE LIST

CABINET PARTS

For Models: WGD5900SW0, WGD5900SB0
(White/Silver) (Black)



FOR ORDERING INFORMATION REFER TO PARTS PRICE LIST

CABINET PARTS

For Models: WGD5900SW0, WGD5900SB0

(White/Silver) (Black)

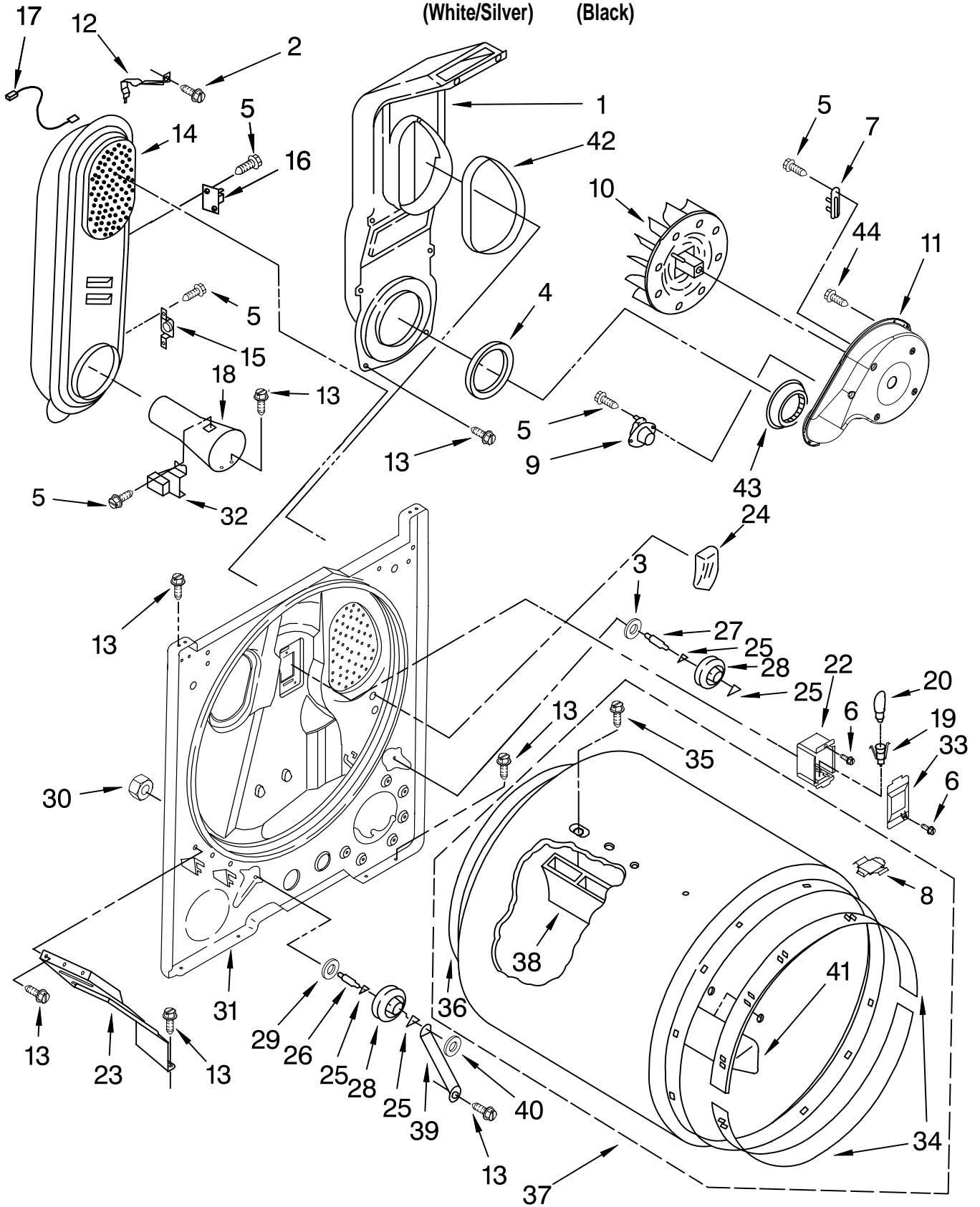
Illus. No.	Part No.	DESCRIPTION	Illus. No.	Part No.	DESCRIPTION	Illus. No.	Part No.	DESCRIPTION
1	697776	Screw, 10-32 x 5/8 (External Ground)	18		Cabinet (Includes Illus. 4)	33	3406129	Seal & Bearing Assembly
2	343641	Screw, 10-16 x 1/2		8530603	White	34		Plug, Front Panel
3	693995	Screw, Hex Head		8530605	Black		3394975	White
4	8541400	Bracket, Cabinet	19	98234	Clip, Ground (2)		3394979	Black
5	3396795	Cover, Block	20	18776	Lock, Front Top (2)	35	344020	Cord, Power
6	3404162	Clamp, Motor (W/Shield)	21		Panel Front	36	3394083	Clip, Front Panel (2)
7	3396805	Panel, Rear		3395197	White	37	8066217	Hinge, Top (2)
8	8546676	Clip, Door Spring		3978796	Black	38	691366	Idler & Pulley Assembly
9	98669	Locator, Top	23	685203	Clip, Felt Pad (2)	39	8066065	Belt, Drive
10	3406107	Door Switch Assembly	24	3389441	Catch, Door Assembly	40	348780	Base, Motor
11	697773	Screw, 6-20 x 7/8	25	3390731	Seal, Door	41	3400500	Bolt, 5/16-18 x 3/4
12	18849	Pad, Top Hinge	26	337189	Clip, Hinge (2)	42	8066184	Pulley, 60 Hz.
13	3357011	Screw, 10-16 x 1/2	27	694091	Screw, 8-18 x 3/8	43	8066206	Motor Assembly 60 Hz.
14	8541401	Spring, Door (2)	28	8066056	Hinge, R.H.	44	660658	Clamp, Motor
15	3980175	Clamp-Elbow		8066057	Hinge, L.H.	48	8318272	Burner Assembly, 60 Hz.
16	3392100	Foot, Dryer	29	696144	Strike, Panel			(See Pages 7 & 8 For Further Burner Breakdown)
	279810	Foot-Optional (Extended Length) (Package of 2) (Not Included.)	30	695737	Door, Rear			
			31		Door, Front			
				3393549	White			
				3403110	Black			
17	342043	Screw, 10-32 x 3/8	32		Handle, Door	49	341029	Clamp, Pipe
				8566057	White			
				8566070	Black			

FOR ORDERING INFORMATION REFER TO PARTS PRICE LIST

BULKHEAD PARTS

For Models: WGD5900SW0, WGD5900SB0

(White/Silver) (Black)



FOR ORDERING INFORMATION REFER TO PARTS PRICE LIST

BULKHEAD PARTS

For Models: WGD5900SW0, WGD5900SB0
(White/Silver) (Black)

Illus. No.	Part No.	DESCRIPTION
1	348368	Lint Chute Assembly
2	489463	Screw, 8-18 x 5/8
3	3388703	Washer-Support
4	347139	Seal, Lint Chute
5	90767	Screw, 8-18 x 3/8
6	487909	Screw, 8-15 x 1/2
7	3390719	Fuse, Thermal
8	8066086	Drum Hole Plug
9	8577274	Thermistor
10	694089	Wheel, Blower (Includes Illus. 21)
11	8577231	Housing, Blower
12	3398161	Clip
13	343641	Screw, 10-16 x 1/2
14	8530285	Box, Heater
15	3403140	Thermostat, 205°F (96°C)
16	280010	Kit, Thermal Cut-Off (Includes Illus. 15)
17	3401707	Wire, Jumper
18	8066049	Funnel, Burner
19	3403634	Socket Assembly
20	3406124	Bulb
22	3977373	Bracket, Drum Light
23	3406022	Bracket, Bulkhead
24	3976479	Pad, Sensor
25	690997	Ring, Tri
26	3399506	Shaft, L.H.
27	3399507	Shaft, R.H.
28	3397590	Roller, Support
29	348197	Washer, Support
30	3359452	Nut, 3/8-16
31	3403414	Bulkhead
32	338906	Sensor, Radiant
33	3402841	Lens, Drum Light
34	692526	Ring, Bearing
35	97787	Screw, 11-16 x 3/4
36	3406130	Seal, Rear Drum
37	695587	Drum Assembly
38	692490	Baffle, Drum (2)
39	3976434	Bracket, Support
40	90296	Clip
41	3403636	Baffle, Drum (1)
42	339956	Seal
43	696302	Shield, Exhaust
44	3390647	Screw, 8-18 x 1/2

FOR ORDERING INFORMATION REFER TO PARTS PRICE LIST

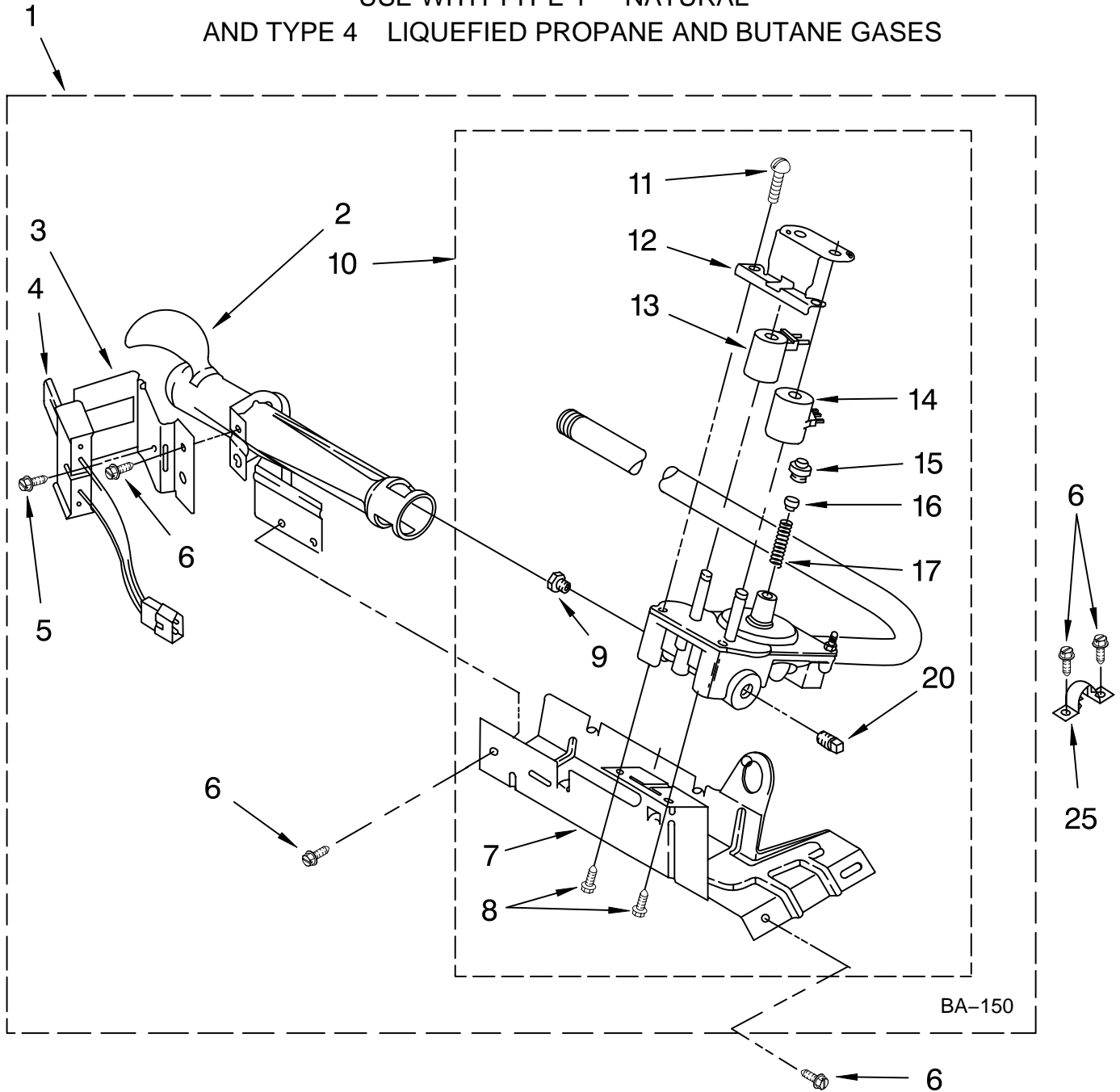
8318272 BURNER ASSEMBLY

For Models: WGD5900SW0, WGD5900SB0

(White/Silver) (Black)

USE WITH TYPE 1 – NATURAL

AND TYPE 4 LIQUEFIED PROPANE AND BUTANE GASES



FOR ORDERING INFORMATION REFER TO PARTS PRICE LIST

8318272 BURNER ASSEMBLY

For Models: WGD5900SW0, WGD5900SB0

(White/Silver) (Black)

USE WITH TYPE 1 – NATURAL
AND TYPE 4 LIQUEFIED PROPANE AND BUTANE GASES

Illus. No.	Part No.	DESCRIPTION
1	8318272	Burner Assembly 60 Hz. (Type 1) (White Rodgers)
2	688617	Tube, Burner
3	694298	Bracket, Ignitor
4	686590	Ignitor
5	3393909	Screw & Washer (8–32 x 5/8)
6	343641	Screw, 10–16 x 1/2
7	693986	Base, Burner
8	3387057	Screw, 8–18 x 3/8
9		Orifice, Burner 234826 Type 1 229742 Type 4 (Butane) 234868 Type 4 (Propane)
10	8318277	Valve, 60 Hz. (Includes Pipe & Illus. #7)
11	694421	Screw, 8–32 x 1/2 (2)
12	694538	Bracket, Coil
13	694540	Coil, 60 Hz. (2 Terminal) (Main)
14	694539	Coil, 60 Hz. (Split) (3 Terminal) (Pilot Position)
15	694424	Leak Limiter
16	694423	Screw, Regulator Adjustment
17	694422	Spring, Regulator
20	239822	Plug, Pipe
25	341029	Clamp, Pipe

Following Parts Not Illustrated

694572 Conversion Kit
(Type 1)
to Type (4) L.P.G.

BA-150

FOR ORDERING INFORMATION REFER TO PARTS PRICE LIST

OPTIONAL PARTS (NOT INCLUDED)

For Models: WGD5900SW0, WGD5900SB0
(White/Silver) (Black)

<u>Illus. No.</u>	<u>Part No.</u>	<u>DESCRIPTION</u>
-------------------	-----------------	--------------------

ACCESSORY PARTS

279948	Kit, Dryer Repair
346764	Kit, Hold-Down (Gas Dryer Mobile Home Installation)
3406839	Dry Rack
8522199	Kit, Dryer Vent Testing

PAINT, TOUCH-UP (1/2oz.)

72017	White
4392899	Biscuit
72032	Black

PAINT, PRESSURIZED SPRAY (12 oz.)

350930	White
4392901	Biscuit
786020	Black
350938	Primer, Gray

PAINT, BULK (1 qt.)

799344	White (Uncut)
4392900	Biscuit(Uncut)
786032	Black (Uncut)

FOR ORDERING INFORMATION REFER TO PARTS PRICE LIST