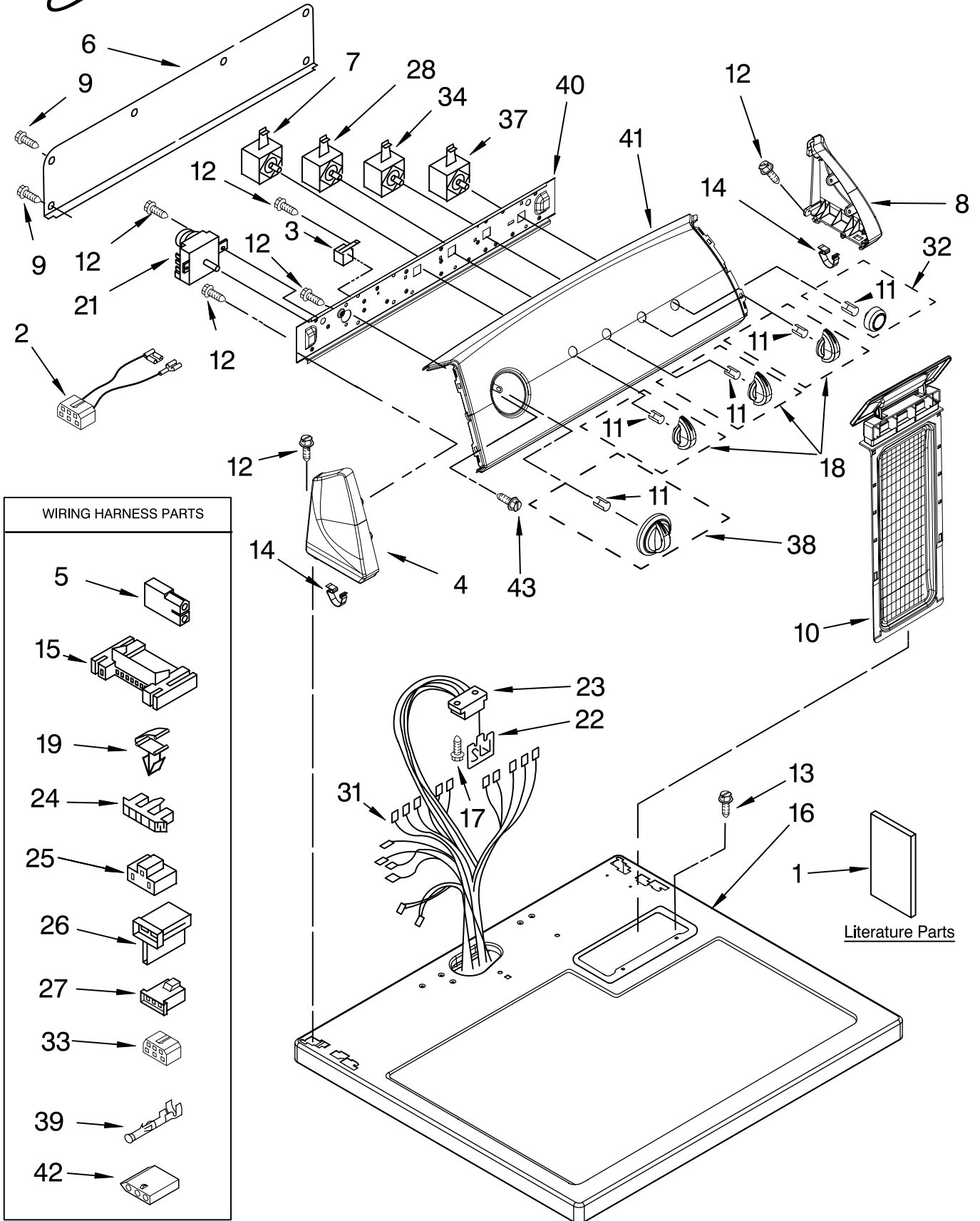




TOP AND CONSOLE PARTS

For Models: WGD5800SW0, WGD5800SG0
(White/Grey) (Biscuit/Gold)

29" GAS DRYER



WIRING HARNESS PARTS

- 5 → [Image of part 5]
- 15 → [Image of part 15]
- 19 → [Image of part 19]
- 24 → [Image of part 24]
- 25 → [Image of part 25]
- 26 → [Image of part 26]
- 27 → [Image of part 27]
- 33 → [Image of part 33]
- 39 → [Image of part 39]
- 42 → [Image of part 42]

Literature Parts

FOR ORDERING INFORMATION REFER TO PARTS PRICE LIST

TOP AND CONSOLE PARTS

For Models: WGD5800SW0, WGD5800SG0

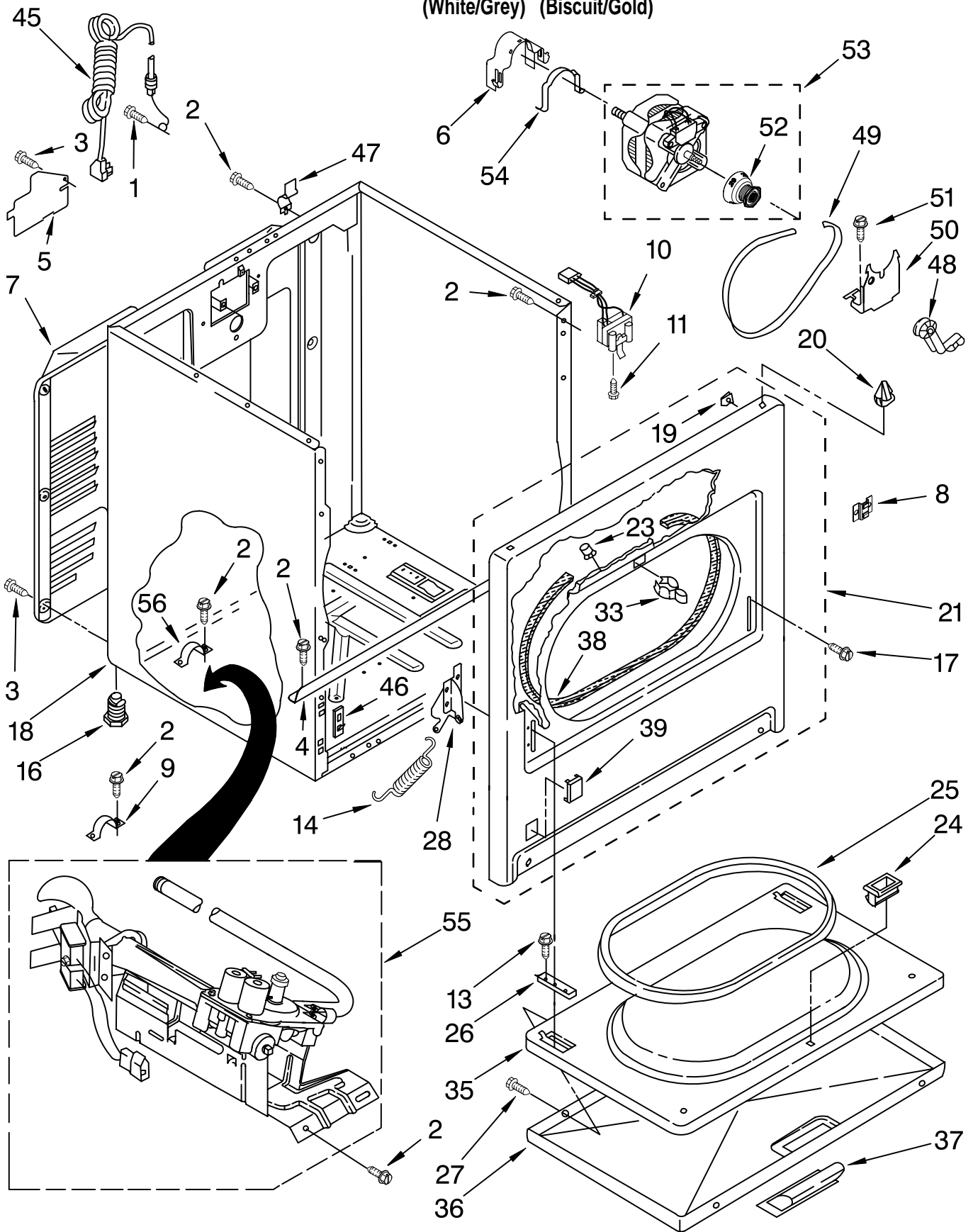
(White/Grey) (Biscuit/Gold)

Illus. No.	Part No.	DESCRIPTION	Illus. No.	Part No.	DESCRIPTION	Illus. No.	Part No.	DESCRIPTION
1	8562582	Literature Parts Instructions, Installation	9	693995	Screw, Hex Washer Head	27	3403498	Connector, 3-Position (Gas Valve)
	W10042950	Sheet, Cycle Feature	10	8557857	Screen, Lint White	28	3405152	Switch, End Of Cycle
	8578183	Use & Care Guide	11	8536939	Clip, Spring	31	8299891	Harness, Wiring
	8576803	Wiring Diagram	12	8533971	Screw, 8-18 x 5/16	32		Knob, Push-To-Start
Following May Be Purchased			13	688983	Screw, 8-18 x 5/8		W10034770	Grey
DO-IT-YOURSELF REPAIR MANUALS			14	8312709	Clip-Console		W10034780	Biscuit
	677818	Dryer	15	3395683	Connector (Motor)	33	3347243	Connector 6-Circuit
			16	8559800	White	34	3405154	Switch, Wrinkle Shield
2	3401695	Wire, Jumper (Buzzer On/Off)	17	8563660	Biscuit	37	3398094	Switch, Push-To-Start
3	694419	Buzzer, Mini	18	359625	Screw, 8-18 x 1/2	38		Timer Knob Assembly
4		Cap, End (L.H.)		W10034380	Grey		W10034750	Grey
	8566035	White		W10034390	Biscuit		W10034760	Biscuit
	8566036	Biscuit	19	3394427	Clip-Harness	39	94614	Terminal, Female
5	717252	Plug, 2-Way Terminal	21	3406725	Timer Assembly (60 Hz.)	40	8566052	Bracket, Control Panel, Control
6	8274261	Panel, Rear Console	22	8558178	Control, Electronic	41		Panel, Control (Includes Illus. 35)
7	3405155	Switch, Temperature	23	3391885	Connector, Edge		8578860	Grey
		Cap, End (R.H.)	24	3397269	Connector-Timer		8578861	Gold
8	8566032	White	25	3401144	Connector, (PTS Relay)	42	3936144	Connector
	8566033	Biscuit	26	3403499	Connector, 2-Position (Gas Valve)	43	8533951	Screw, Grounding

FOR ORDERING INFORMATION REFER TO PARTS PRICE LIST

CABINET PARTS

For Models: WGD5800SW0, WGD5800SG0
(White/Grey) (Biscuit/Gold)



FOR ORDERING INFORMATION REFER TO PARTS PRICE LIST

CABINET PARTS

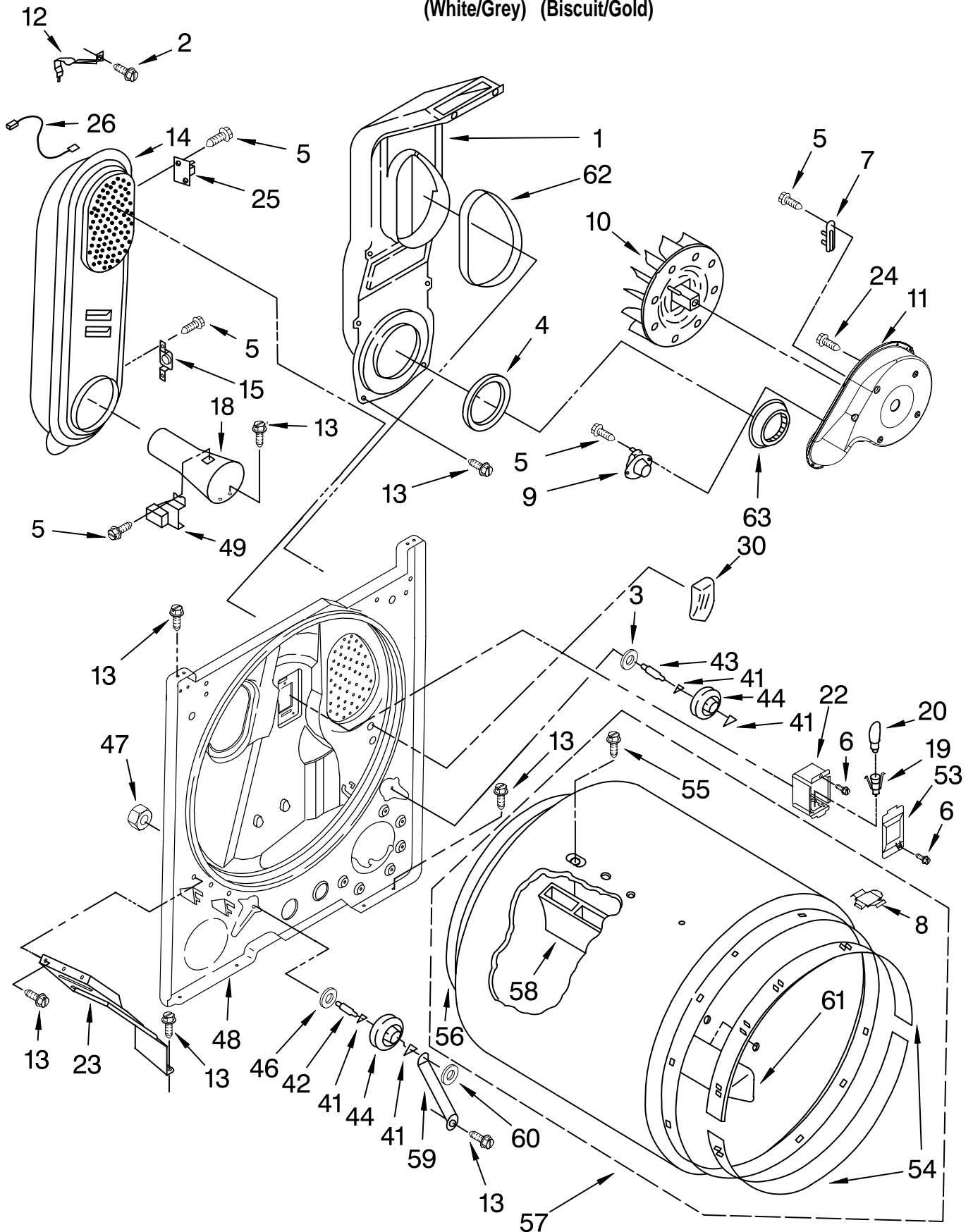
For Models: WGD5800SW0, WGD5800SG0
(White/Grey) (Biscuit/Gold)

Illus. No.	Part No.	DESCRIPTION	Illus. No.	Part No.	DESCRIPTION	Illus. No.	Part No.	DESCRIPTION
1	697776	Screw, 10–32 x 5/8 (External Ground)	18		Cabinet (Includes Illus. 4)	37		Handle, Door
2	343641	Screw, 10–16 x 1/2					W10095180	White
3	693995	Screw, Hex Head		8530603	White Biscuit		W10095190	Biscuit
4	8541400	Bracket, Cabinet		8530606	Biscuit	38	3406129	Seal & Bearing Assembly
5	3396795	Cover, Block	19	98234	Clip, Ground (2)	39		Plug, Front Panel
6	3404162	Clamp, Motor (W/Shield)	20	690363	Lock, Front Top (2)		3394975	White
7	3396805	Panel, Rear	21		Panel Front		3394978	Biscuit
8	8546676	Clip, Door Spring		3395197	White Biscuit	45	344020	Cord, Power
9	3980175	Clamp–Elbow	23	685203	Clip, Felt Pad (2)	46	3394083	Clip, Front Panel
10	3406107	Door Switch Assembly	24	3389441	Catch, Door Assembly	47	8066217	Hinge, Top (2)
11	697773	Screw, 6–20 x 7/8	25	3390731	Seal, Door	48	691366	Idler & Pulley Assembly
13	3357011	Screw, 10–16 x 1/2	26	337189	Clip, Hinge (2)	49	8066065	Belt, Drive
14	8541401	Spring, Door (2)	27	694091	Screw, 8–18 x 3/8	50	348780	Base, Motor
16	3392100	Foot, Dryer	28	8066056	Hinge, R.H.	51	3400500	Bolt, 5/16–18 x 3/4
	279810	Foot–Optional (Extended Length) (Package of 2) (Not Included.)		8066057	Hinge, L.H.	52	8066184	Pulley, 60 Hz.
			33	696144	Strike, Panel	53	8066206	Motor Assembly 60 Hz.
			35	695737	Door, Rear	54	660658	Clamp, Motor
			36		Door, Front	55	8318272	Burner Assembly, 60 Hz.
17	342043	Screw, 10–32 x 3/8		3393549	White Biscuit			(See Pages 7 & 8 For Further Burner Breakdown)
				3977241	Biscuit	56	341029	Clamp, Pipe

FOR ORDERING INFORMATION REFER TO PARTS PRICE LIST

BULKHEAD PARTS

For Models: WGD5800SW0, WGD5800SG0
(White/Grey) (Biscuit/Gold)



FOR ORDERING INFORMATION REFER TO PARTS PRICE LIST

BULKHEAD PARTS

For Models: WGD5800SW0, WGD5800SG0
(White/Grey) (Biscuit/Gold)

Illus. No.	Part No.	DESCRIPTION	Illus. No.	Part No.	DESCRIPTION	Illus. No.	Part No.	DESCRIPTION
1	348368	Lint Chute Assembly	14	8530285	Box, Heater	42	3399506	Shaft, L.H.
2	489463	Screw, 8-18 x 5/8	15	3403140	Thermostat, 205°F (96°C)	43	3399507	Shaft, R.H.
3	3388703	Washer-Support	18	8066049	Funnel, Burner	44	3397590	Roller, Support
4	347139	Seal, Lint Chute	19	3403634	Socket Assembly	46	348197	Washer, Support
5	90767	Screw, 8-18 x 3/8	20	3406124	Bulb	47	3359452	Nut, 3/8-16
6	487909	Screw, 8-15 x 1/2	22	3977373	Bracket, Drum Light	48	3403414	Bulkhead
7	3392519	Fuse, Thermal	23	3406022	Bracket, Bulkhead	49	338906	Sensor, Radiant
8	8066086	Drum Hole Plug	24	3390647	Screw, 8-18 x 1/2	53	3402841	Lens, Drum Light
9	8318268	Thermostat, Internal-Bias	25	280010	Kit, Thermal Cut-Off (Includes Illus. 15)	54	692526	Ring, Bearing
10	694089	Wheel, Blower	26	3401707	Wire, Jumper	55	97787	Screw, 11-16 x 3/4
11	8577230	Housing, Blower	30	3976479	Pad, Sensor	56	3406130	Seal, Rear Drum
12	3398161	Clip	41	690997	Ring, Tri	57	695587	Drum Assembly
13	343641	Screw, 10-16 x 1/2				58	692490	Baffle, Drum (2)
						59	3976434	Bracket, Support
						60	90296	Clip
						61	3403636	Baffle, Drum (1)
						62	339956	Seal
						63	696302	Shield, Exhaust

FOR ORDERING INFORMATION REFER TO PARTS PRICE LIST

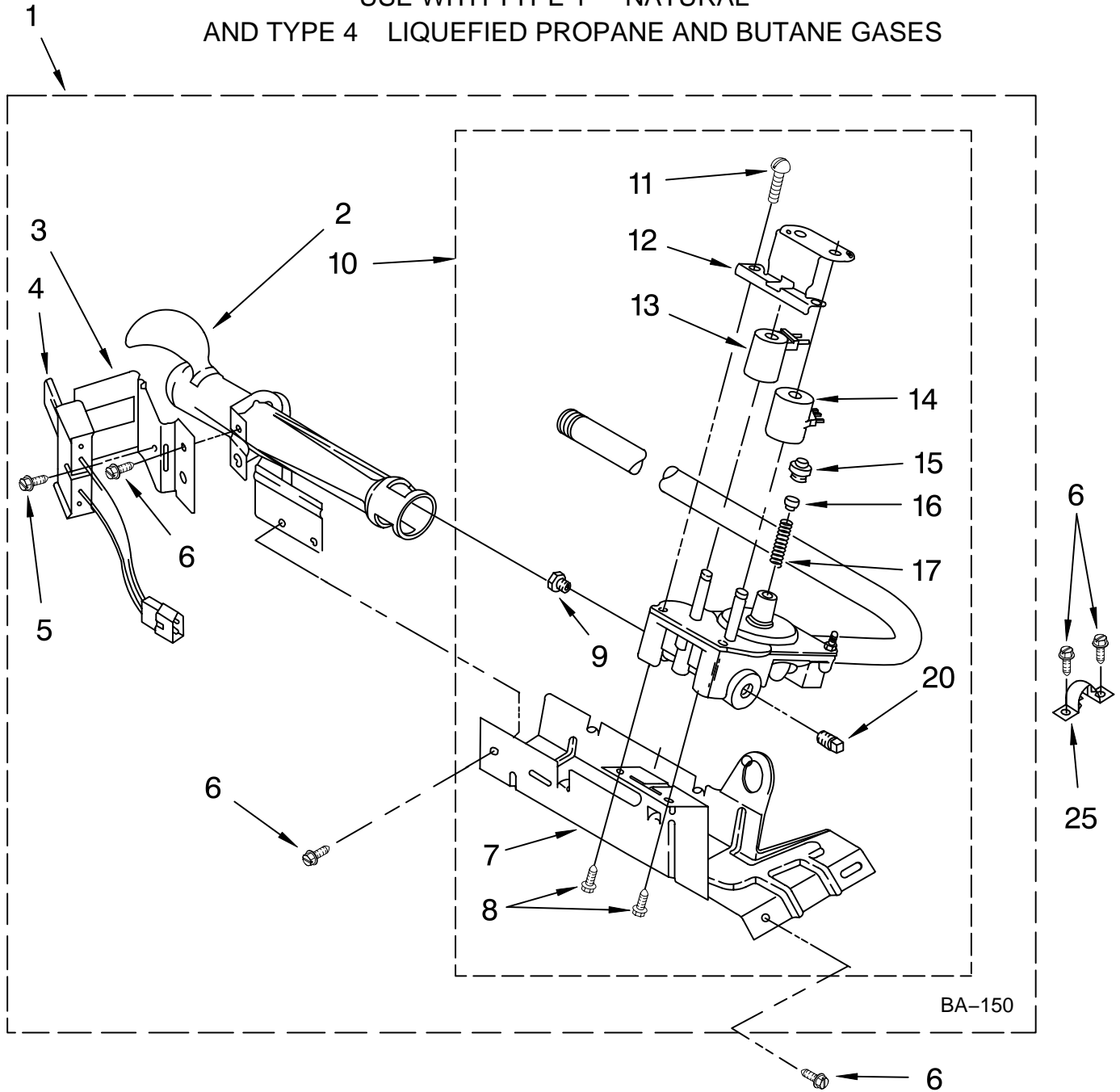
8318272 BURNER ASSEMBLY

For Models: WGD5800SW0, WGD5800SG0

(White/Grey) (Biscuit/Gold)

USE WITH TYPE 1 – NATURAL

AND TYPE 4 LIQUEFIED PROPANE AND BUTANE GASES



FOR ORDERING INFORMATION REFER TO PARTS PRICE LIST

8318272 BURNER ASSEMBLY

For Models: WGD5800SW0, WGD5800SG0
(White/Grey) (Biscuit/Gold)

USE WITH TYPE 1 – NATURAL
AND TYPE 4 LIQUEFIED PROPANE AND BUTANE GASES

Illus. No.	Part No.	DESCRIPTION
1	8318272	Burner Assembly 60 Hz. (Type 1) (White Rodgers)
2	688617	Tube, Burner
3	694298	Bracket, Ignitor
4	686590	Ignitor
5	3393909	Screw & Washer (8-32 x 5/8)
6	343641	Screw, 10-16 x 1/2
7	693986	Base, Burner
8	3387057	Screw, 8-18 x 3/8
9		Orifice, Burner 234826 Type 1 229742 Type 4 (Butane) 234868 Type 4 (Propane)
10	8318277	Valve, 60 Hz. (Includes Pipe & Illus. #7)
11	694421	Screw, 8-32 x 1/2 (2)
12	694538	Bracket, Coil
13	694540	Coil, 60 Hz. (2 Terminal) (Main)
14	694539	Coil, 60 Hz. (Split) (3 Terminal) (Pilot Position)
15	694424	Leak Limiter
16	694423	Screw, Regulator Adjustment
17	694422	Spring, Regulator
20	239822	Plug, Pipe
25	341029	Clamp, Pipe

Following Parts Not Illustrated

694572 Conversion Kit
(Type 1)
to Type (4) L.P.G.

BA-150

FOR ORDERING INFORMATION REFER TO PARTS PRICE LIST

OPTIONAL PARTS (NOT INCLUDED)

For Models: WGD5800SW0, WGD5800SG0
(White/Grey) (Biscuit/Gold)

Illus.	Part	
No.	No.	DESCRIPTION

ACCESSORY PARTS

279948	Kit, Dryer Repair
346764	Kit, Hold-Down (Gas Dryer Mobile Home Installation)
3406839	Dry Rack
8522199	Kit, Dryer Vent Testing

PAINT, TOUCH-UP (1/2oz.)

72017	White
4392899	Biscuit

PAINT, PRESSURIZED SPRAY (12 oz.)

350930	White
4392901	Biscuit
350938	Primer, Gray

PAINT, BULK (1 qt.)

799344	White (Uncut)
4392900	Biscuit (Uncut)

FOR ORDERING INFORMATION REFER TO PARTS PRICE LIST