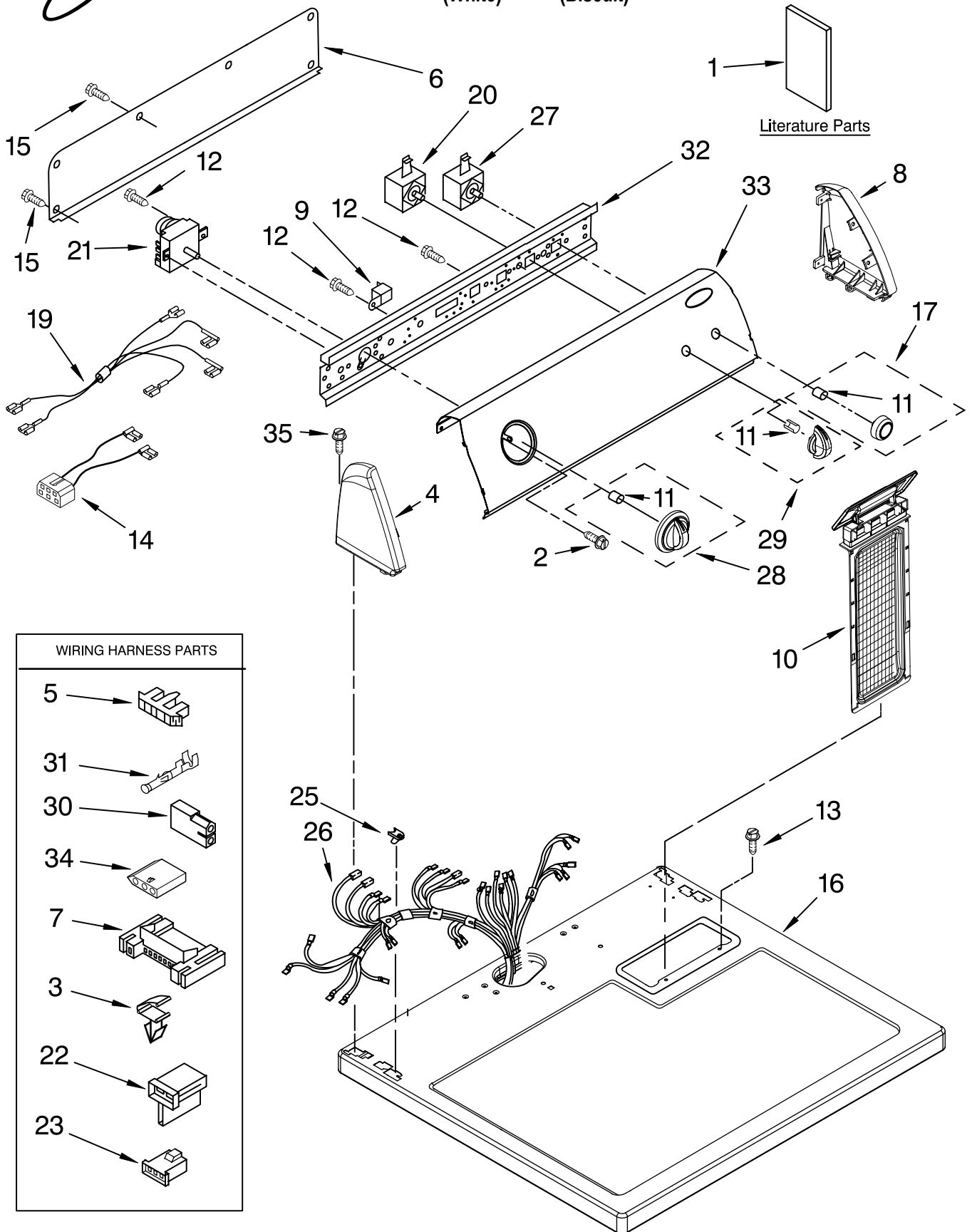




TOP AND CONSOLE PARTS

29" GAS DRYER

For Model: WGD5500SQ0, WGD5500ST0
(White) (Biscuit)



WIRING HARNESS PARTS

- 5 → [Component]
- 31 → [Component]
- 30 → [Component]
- 34 → [Component]
- 7 → [Component]
- 3 → [Component]
- 22 → [Component]
- 23 → [Component]

FOR ORDERING INFORMATION REFER TO PARTS PRICE LIST

TOP AND CONSOLE PARTS

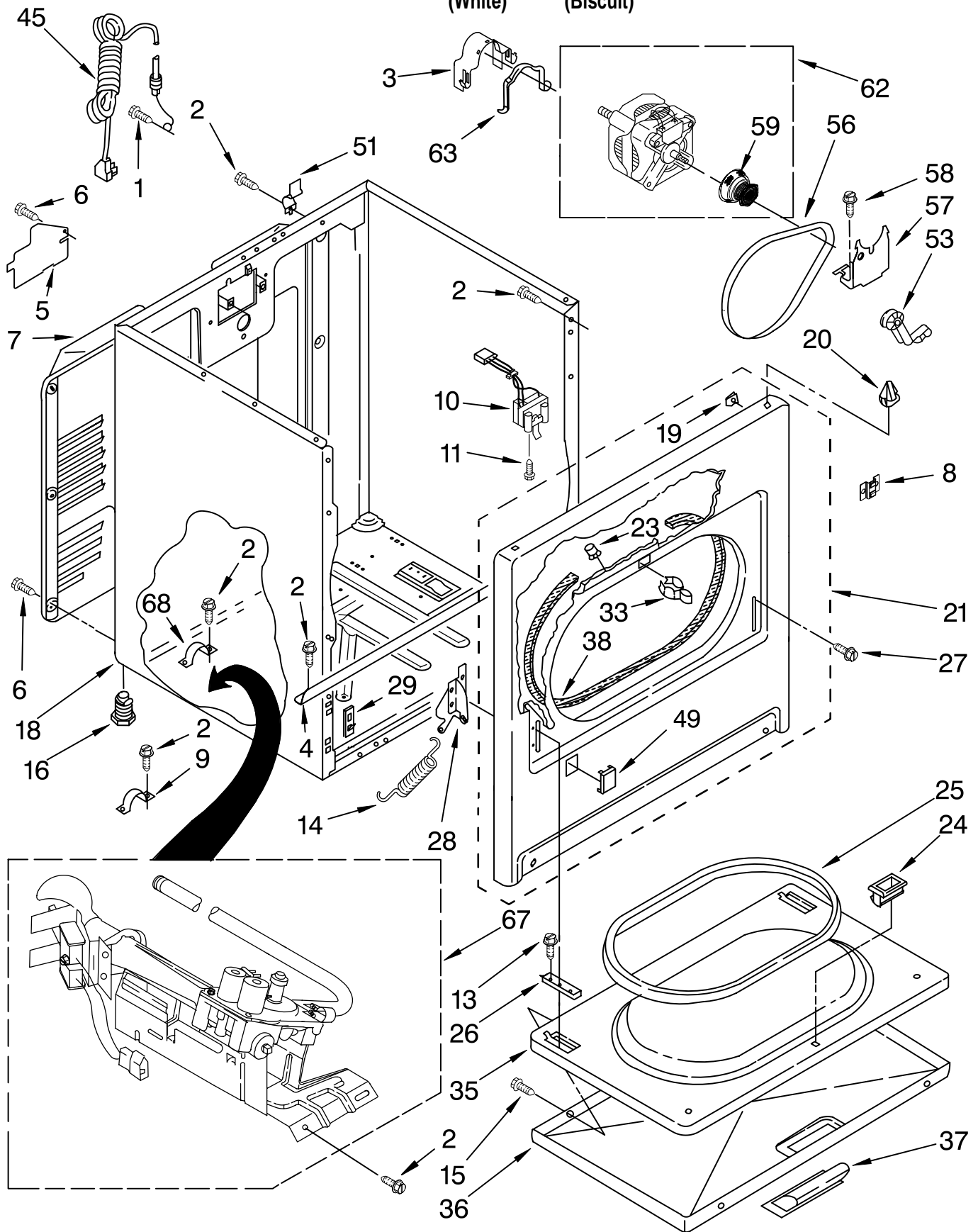
For Model: WGD5500SQ0, WGD5500ST0
(White) (Biscuit)

Illus. No.	Part No.	DESCRIPTION	Illus. No.	Part No.	DESCRIPTION	Illus. No.	Part No.	DESCRIPTION
1	8562582	Literature Parts Installation Instructions	8	8271359	Cap, End (R.H.) White	22	3403499	Connector, 2-Position (Gas Valve)
	8578183	Use & Care Guide	9	694419	Buzzer, Mini	23	3403498	Connector, 3-Position (Gas Valve)
	8528190	Wiring Diagram	10	8557857	Screen, Lint White	25	357213	Nut, Push-In (2)
	W10042960	Sheet, Cycle Feature		8557858	Biscuit	26	8299879	Harness, Wiring
Following May Be Purchased			11	8536939	Clip, Spring	27	3398095	Switch, Push-To-Start
DO-IT-YOURSELF REPAIR MANUALS			12	8533971	Screw, 8-18 x 5/16	28		Timer Knob Assembly
	677818	Dryer	13	688983	Screw, 8-18 x 5/8		8566061	White
2	8533951	Screw, Grounding	14	8539893	Jumper, Temperature Rotary		8566064	Biscuit
3	3394427	Clip, Harness	15	693995	Screw, Hex Head Top	29		Knob, Control
4		Cap, End (L.H.)	16	8557930	White		8565944	White
	8271365	White		8557931	Biscuit		8565947	Biscuit
	8271368	Biscuit	17		Knob, Push-To-Start	30	717252	Receptacle, 2-Way
5	3397269	Connector (Timer)		8566073	White	31	94614	Terminal, Female
				8566076	Biscuit	32	8544895	Bracket, Control
6	8274261	Panel, Rear Console	19	3401684	Wire, Jumper (PTS to Buzzer)	33		Panel, Control
			20	3399639	Switch, Rotary		8578846	White
7	3395683	Housing, Connector (Motor)	21	8299765	Timer (60 Hz.)		8578847	Biscuit
						34	3936144	Connector
						35	388326	Screw, Console

FOR ORDERING INFORMATION REFER TO PARTS PRICE LIST

CABINET PARTS

For Model: WGD550SQ0, WGD550ST0
(White) (Biscuit)



FOR ORDERING INFORMATION REFER TO PARTS PRICE LIST

CABINET PARTS

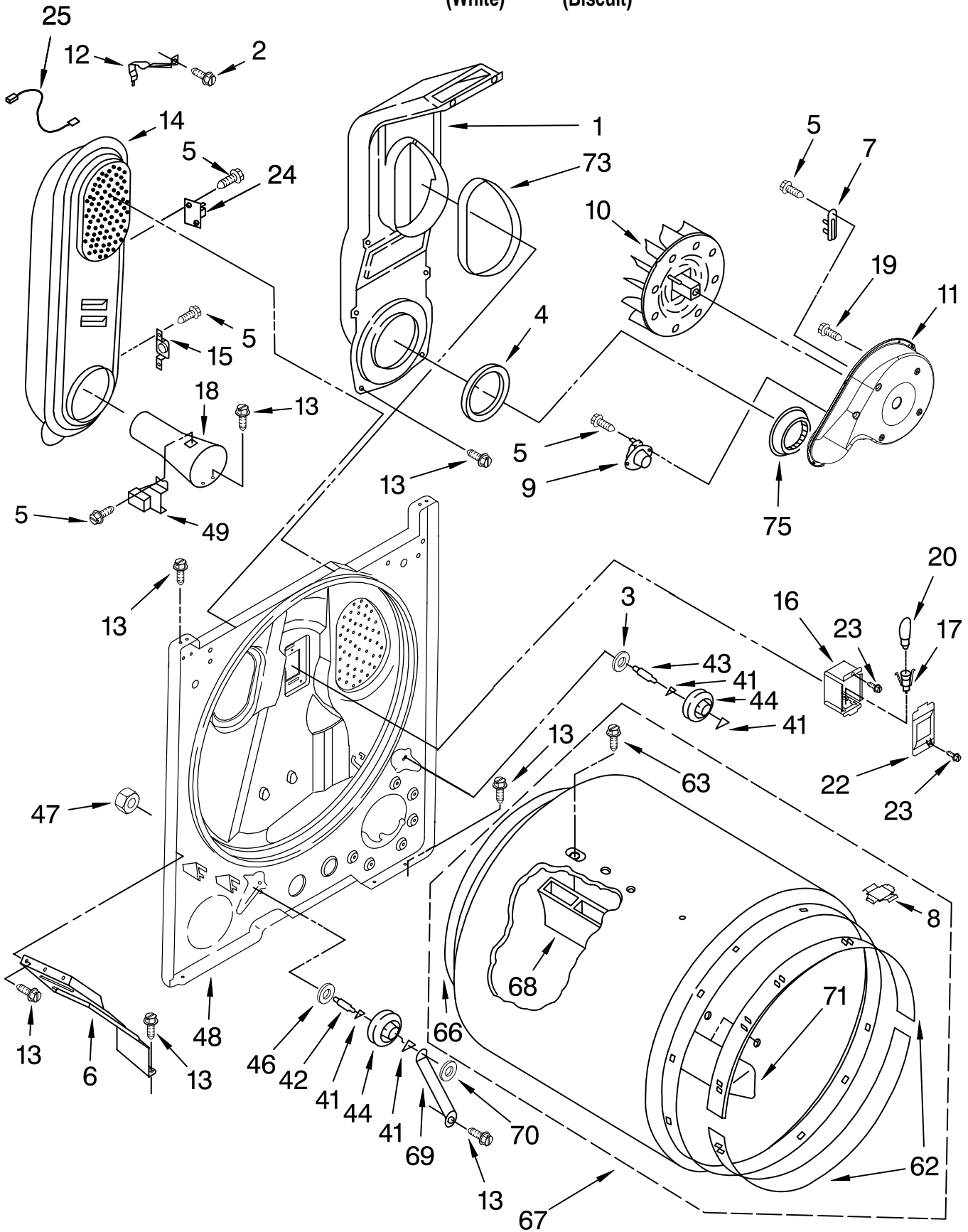
For Model: WGD5500SQ, WGD5500STO
(White) (Biscuit)

Illus. No.	Part No.	DESCRIPTION	Illus. No.	Part No.	DESCRIPTION	Illus. No.	Part No.	DESCRIPTION
1	697776	Screw, 10-32 x 5/8 (External Ground)	18		Cabinet (Includes Illus. 4)	37		Handle, Door
2	343641	Screw, 10-16 x 1/2					8566057	White
3	3404162	Clamp, Motor (W/Shield)		8530603	White		8566069	Biscuit
4	8541400	Bracket, Cabinet		8530606	Biscuit	38	3406129	Seal & Bearing Assembly
5	3396795	Cover, Block	19	98234	Clip, Ground (2)	45	344020	Cord, Power
6	693995	Screw, Hex Washer Head	20	690363	Lock, Front Top (2)	49		Plug, Front Panel
7	3396805	Panel, Rear	21		Panel Front		3394975	White
8	8546676	Clip, Door Spring		3395197	White		3394978	Biscuit
9	3980175	Clamp-Elbow		3977243	Biscuit	51	8066217	Hinge, Top (2)
10	3406107	Door Switch Assembly	23	685203	Clip, Felt Pad (2)	53	691366	Idler & Pulley Assembly
11	697773	Screw, 6-20 x 7/8	24	3389441	Catch, Door Assembly	56	8066065	Belt, Drive
13	694091	Screw, 8-18 x 3/8	25	3390731	Seal, Door	57	348780	Base, Motor
14	8541401	Spring, Door (2)	26	337189	Clip, Hinge (2)	58	3400500	Bolt, 5/16-18 x 3/4
15	3357011	Screw, 10-16 x 1/2	27	342043	Screw, 10-32 x 3/8	59	8066184	Pulley, 60 Hz.
16	3392100	Foot, Dryer	28	8066056	Hinge, R.H.	62	8066206	Motor Assembly 60 Hz.
	279810	Foot - Optional (Extended Length Package Of 2 (Not Included)	29	3394083	Clip, Front Panel	63	660658	Clamp, Motor
			33	696144	Strike, Panel	67	8318272	Burner Assembly, 60 Hz. (See Pages 7 & 8 For Further Burner Breakdown)
			35	695737	Door, Rear			
			36		Door, Front			
				3393549	White			
				3977241	Biscuit	68	341029	Clamp, Pipe

FOR ORDERING INFORMATION REFER TO PARTS PRICE LIST

BULKHEAD PARTS

For Model: WGD5500SQ0, WGD5500ST0
(White) (Biscuit)



FOR ORDERING INFORMATION REFER TO PARTS PRICE LIST

BULKHEAD PARTS

For Model: WGD5500SQ0, WGD5500ST0
(White) (Biscuit)

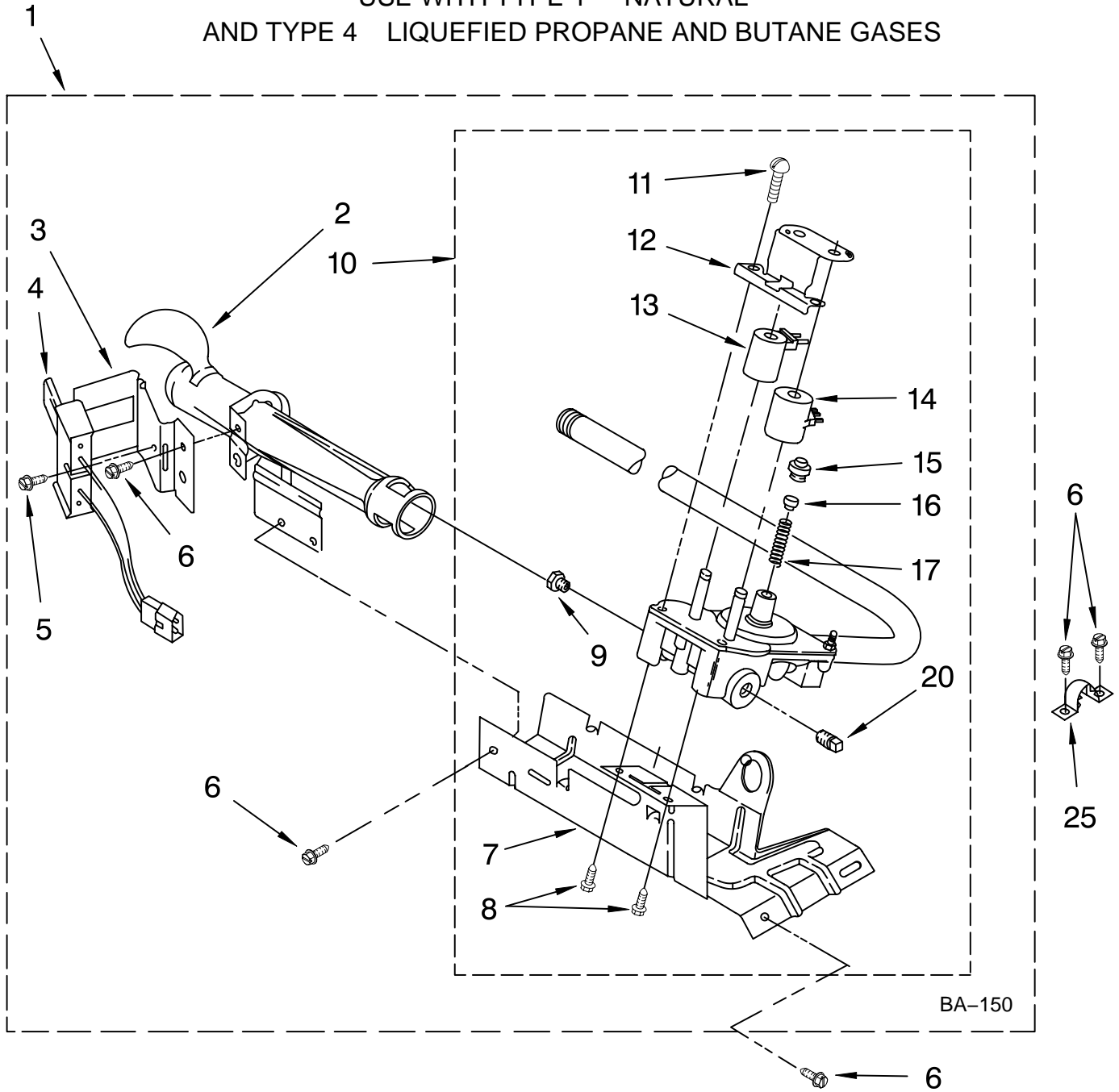
Illus. No.	Part No.	DESCRIPTION
1	348368	Lint Chute Assembly
2	489463	Screw, 8-18 x 5/8
3	3388703	Washer-Support
4	347139	Seal, Lint Chute
5	90767	Screw, 8-18 x 3/8
6	3406022	Bracket, Bulkhead
7	3392519	Fuse, Thermal
8	8066086	Drum Hole Plug
9	3387134	Thermostat, Internal-Bias
10	694089	Wheel, Blower (Includes Illus. 21)
11	8577230	Housing, Blower
12	8066155	Clip
13	343641	Screw, 10-16 x 1/2
14	8530285	Box, Heater
15	3403140	Thermostat, 205°F (96°C)
16	3977373	Bracket, Drum Light
17	3403634	Socket Assembly
18	8066049	Funnel, Burner
19	3390647	Screw, 8-18 x 1/2
20	3406124	Bulb, Light
22	3402841	Lens, Drum Light
23	487909	Screw, 8-15 x 1/2
24	280010	Kit, Thermal Cut-Off (Includes Illus. 15)
25	3401707	Wire, Jumper
41	690997	Ring, Tri
42	3399506	Shaft, L.H.
43	3399507	Shaft, R.H.
44	3397590	Roller, Support
46	348197	Washer, Support
47	3359452	Nut, 3/8-16
48	3403493	Bulkhead
49	338906	Sensor, Radiant
62	692526	Ring, Bearing
63	97787	Screw, 11-16 x 3/4
66	3406130	Seal, Rear Drum
67	695587	Drum Assembly
68	692490	Baffle, Drum (2)
69	3976434	Bracket, Support
70	90296	Clip
71	3403636	Baffle, Drum (1)
73	339956	Seal
75	696302	Shield, Exhaust

FOR ORDERING INFORMATION REFER TO PARTS PRICE LIST

8318272 BURNER ASSEMBLY

For Model: WGD550SQ0, WGD550ST0
(White) (Biscuit)

USE WITH TYPE 1 – NATURAL
AND TYPE 4 LIQUEFIED PROPANE AND BUTANE GASES



FOR ORDERING INFORMATION REFER TO PARTS PRICE LIST

8318272 BURNER ASSEMBLY

For Model: WGD5500SQ0, WGD5500ST0
(White) (Biscuit)

USE WITH TYPE 1 – NATURAL
AND TYPE 4 LIQUEFIED PROPANE AND BUTANE GASES

Illus. No.	Part No.	DESCRIPTION
1	8318272	Burner Assembly 60 Hz. (Type 1) (White Rodgers)
2	688617	Tube, Burner
3	694298	Bracket, Ignitor
4	686590	Ignitor
5	3393909	Screw & Washer (8-32 x 5/8)
6	343641	Screw, 10-16 x 1/2
7	693986	Base, Burner
8	3387057	Screw, 8-18 x 3/8
9		Orifice, Burner 234826 Type 1 229742 Type 4 (Butane) 234868 Type 4 (Propane)
10	8318277	Valve, 60 Hz. (Includes Pipe & Illus. #7)
11	694421	Screw, 8-32 x 1/2 (2)
12	694538	Bracket, Coil
13	694540	Coil, 60 Hz. (2 Terminal) (Main)
14	694539	Coil, 60 Hz. (Split) (3 Terminal) (Pilot Position)
15	694424	Leak Limiter
16	694423	Screw, Regulator Adjustment
17	694422	Spring, Regulator
20	239822	Plug, Pipe
25	341029	Clamp, Pipe

Following Parts Not Illustrated

694572 Conversion Kit
(Type 1)
to Type (4) L.P.G.

BA-150

FOR ORDERING INFORMATION REFER TO PARTS PRICE LIST

OPTIONAL PARTS (NOT INCLUDED)

For Model: WGD5500SQ0, WGD5500ST0
(White) (Biscuit)

Illus. No.	Part No.	DESCRIPTION
-----------------------	---------------------	--------------------

ACCESSORY PARTS

	279948	Kit, Dryer Repair
	346764	Kit, Hold-Down (Gas Dryer Mobile Home Installation)
	8522199	Kit, Dryer Vent Testing
	3404351	Dry Rack

PAINT, TOUCH-UP (1/2oz.)

72017 White

PAINT, PRESSURIZED SPRAY (12 oz.)

350930 White
350938 Primer, Gray

PAINT, BULK (1 qt.)

799344 White (Uncut)

FOR ORDERING INFORMATION REFER TO PARTS PRICE LIST