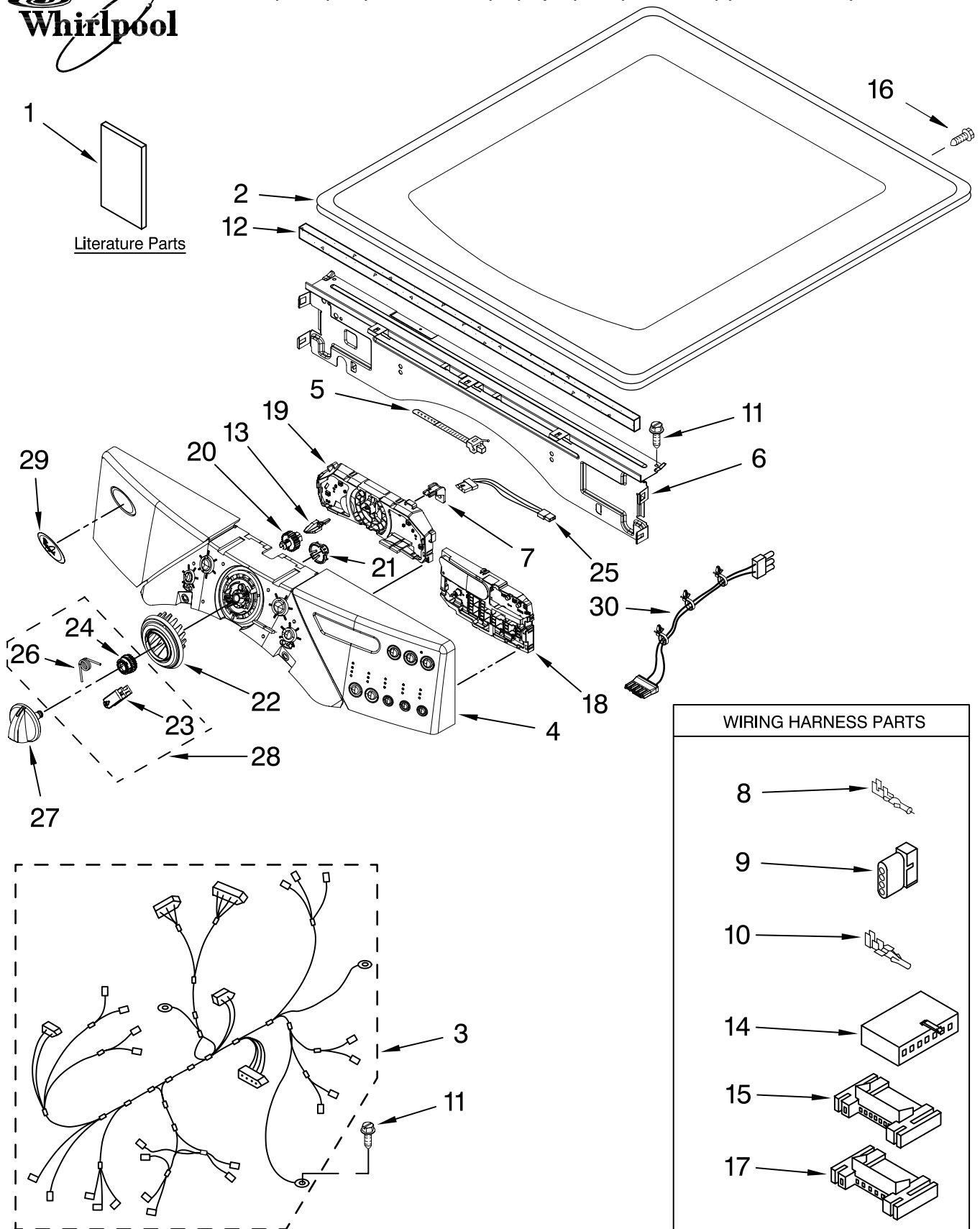


# TOP AND CONSOLE PARTS

27" ELECTRIC DRYER

For Models: WED9600TW0, WED9600TU0, WED9600TA0, WED9600TZ0, WED9600TB0  
 (White) (Ultimate Silver) (Aspen) (White/Blue) (Black/Chrome)



FOR ORDERING INFORMATION REFER TO PARTS PRICE LIST

# TOP AND CONSOLE PARTS

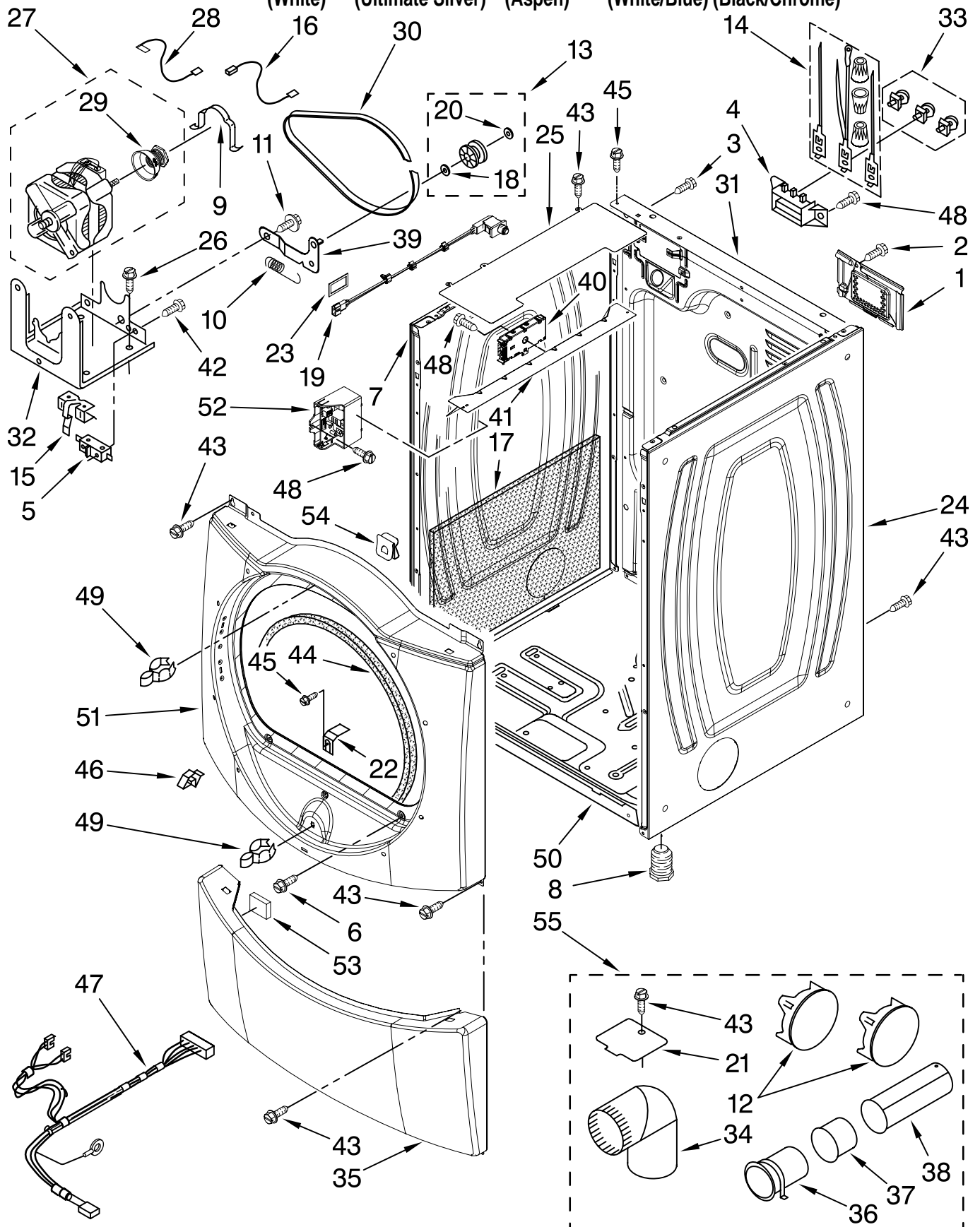
For Models: WED9600TW0, WED9600TU0, WED9600TA0, WED9600TZ0, WED9600TB0  
(White) (Ultimate Silver) (Aspen) (White/Blue) (Black/Chrome)

Illus. No.	Part No.	DESCRIPTION	Illus. No.	Part No.	DESCRIPTION	Illus. No.	Part No.	DESCRIPTION
1		Literature Parts	6	W10006840	Bracket, Console (Includes No.12)	22	W10012410	Knob, Light Ring (Includes: Illus. 21 )
	W10136968	Use & Care Guide	7	W10112268	Clip, Harness (4)			
	W10143265	Tech Sheet	8	94614	Terminal	23	W10012810	Rast, Wheel Holder (Service Only With Illus. 28 )
	W10139791	Guide, Quick Start	9	3936144	Plug, Terminal			
	W10134980	Installation, Diagnostic Guide	10	94613	Terminal	24	W10012460	Detent Wheel (Service Only With Illus. 28 )
	W10139322	Sheet, Tip Steam Dry	11	3390647	Screw, 8-18 x 1/2			
2		Top	12	W10112267	Foam-Seal	25	W10095960	Harness, Communication
	8519251	White	13	W10030070	Array, Power	26	W10012820	Knob, Spring (2) (Service Only With Illus. 28 )
	W10114785	Ultimate Silver	14	3936150	Connector, 7-Circuit	27		Knob, Control (Includes: Illus. 21 )
	W10140290	Aspen	15	3395683	Connector, (Motor)		W10116702	White
	8579997	Black/Chrome	16	8281225	Screw, 8-18 x 1/2		W10116704	Ultimate Silver
3	W10110988	Harness, Main	17	2203186	Connector, 5-Circuit		W10153663	Aspen
4		Panel, Console (Includes Items: 20,21,22,27,28 & 29)	18	W10110659	User Interface (Right)		W10116706	White/Blue
	W10153650	White	19	W10110658	User Interface (Center) (Includes: Illus. 13 )		W10116705	Black/Chrome
	W10153654	Ultimate Silver	20	W10012430	Encoder-Wheel	28	280230	Encoder, Wheel Kit. (Includes Item: 23, 24, & 26 )
	W10153655	Aspen	21	W10012440	Retainer-Snap	29	W10117943	Badge
	W10153653	White/Blue				30	W10110976	Cube Cable
	W10153652	Black/Chrome						
5	3391018	Tie, Cable						

FOR ORDERING INFORMATION REFER TO PARTS PRICE LIST

# CABINET PARTS

For Models: WED9600TW0, WED9600TU0, WED9600TA0, WED9600TZ0, WED9600TB0  
 (White) (Ultimate Silver) (Aspen) (White/Blue) (Black/Chrome)



FOR ORDERING INFORMATION REFER TO PARTS PRICE LIST

# CABINET PARTS

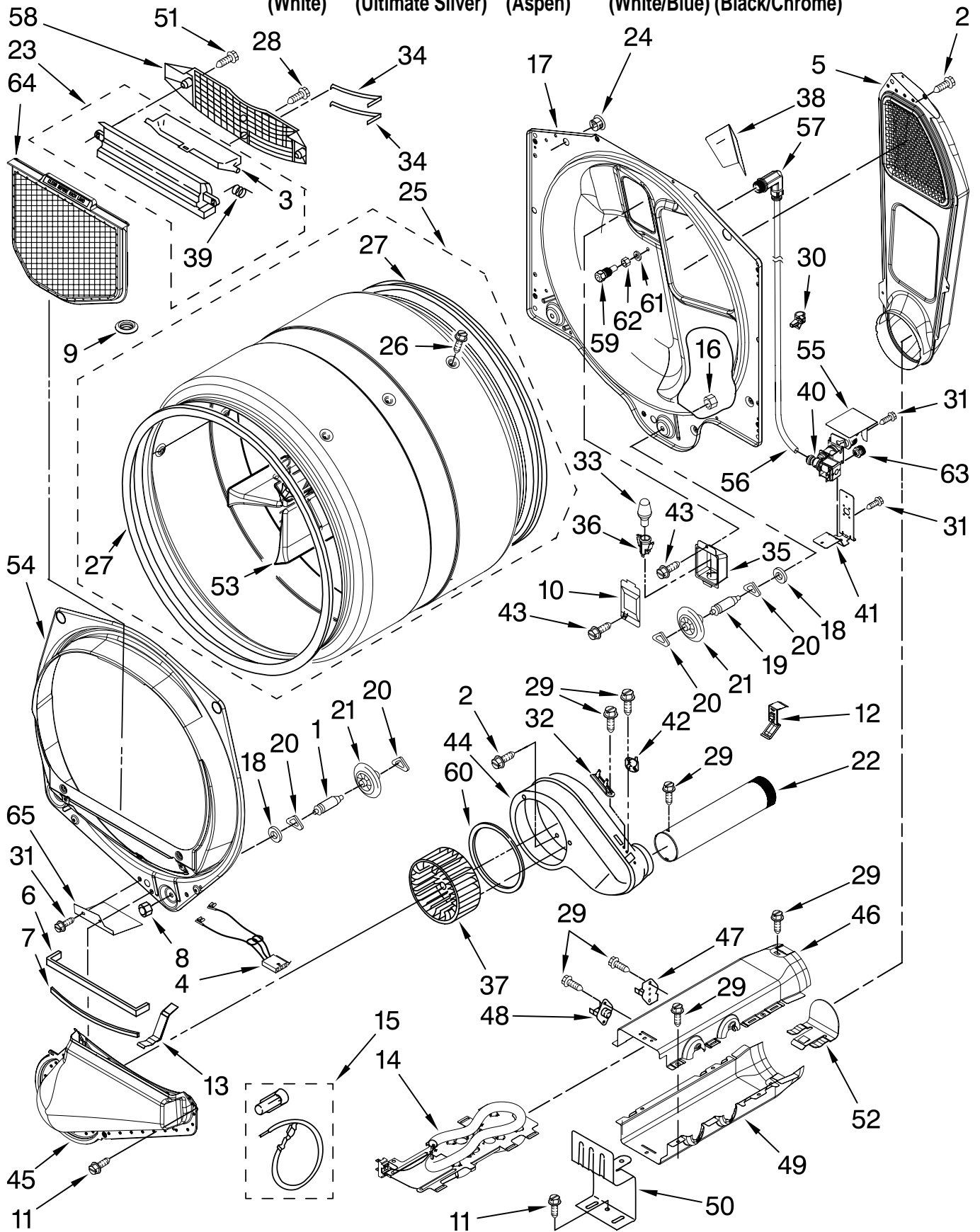
For Models: WED9600TW0, WED9600TU0, WED9600TA0, WED9600TZ0, WED9600TB0  
(White) (Ultimate Silver) (Aspen) (White/Blue) (Black/Chrome)

Illus. No.	Part No.	DESCRIPTION	Illus. No.	Part No.	DESCRIPTION	Illus. No.	Part No.	DESCRIPTION
1	8576583	Cover, Terminal Block	19	W10128087	Assembly, Door Switch	38	8563749	Exhaust Pipe (Long)
2	3390814	Screw, 8-18 x 3/8	20	W10121334	Washer	39	3388674	Idler Bracket
3	8533974	Screw Ground	21	8066115	Cover-Plate	40	W10141671	Control Board
4	3397659	Block, Terminal	22	8529053	Ramp, Door	41	8563727	Bracket, Control
5	3394881	Switch, Broken Belt	23	W10118614	Seal, Door Switch	42	98129	Screw, 6-20 x 1 1/16
6	3357011	Screw, 10-16 x 1/2	24		Panel, Side (R.H.)	43	3390647	Screw, 8-18 x 1/2
7		Panel, Side (L.H.)		W10139003	White	44	3387242	Seal, Front Panel
	W10138989	White		W10139009	Ultimate Silver	45	3393008	Screw, 10-16 x 1/2
	W10138995	Ultimate Silver		W10139013	Aspen	46	8519459	Clip, Toe Panel
	W10138999	Aspen		W10139010	Black/Chrome	47	W10110990	Harness, Digital Interface
	W10138996	Black/Chrome	25	W10118470	Cover, Bracket Control	48	90767	Screw, 8-18 x 3/8
8	3392100	Foot, Dryer	26	343641	Screw, 10-16 x 1/2	49	696144	Strike, Door (2)
	279810	Foot - Optional (Extended Length Package Of 2) (Not Included)	27	8538263	Motor, Assembly 60 HZ.	50	8519207	Base, Cabinet Front Panel
9	660658	Clamp, Motor (2)	28	3398948	Wire, Jumper (Broken Belt Switch)	51	8578388	White
10	3387374	Spring, Idler					8578940	Ultimate Silver
11	3389420	Retainer, Idler	29	8578220	Pulley 60 HZ.		W10140574	Aspen
12		Plug, Multivent	30	3387610	Belt, Drive		8578936	Black/Chrome
	697750	White	31	W10053558	Panel, Rear	52	3407228	Power Cube
	8579117	Ultimate Silver	32	3387118	Bracket, Motor	53	3389682	Space-Toe Panel
	W10136987	Aspen	33	279393	Terminal Block Screw Kit (For Terminal Block)	54	62825	Clip-S Type
	3388309	Black/Chrome				<hr/> <b>Optional Parts Not Included</b> <hr/>		
13	3388672	Pulley Assembly	34	49026	4" - 90° Elbow	<hr/> <b>Dryer Exhaust Kit</b> <hr/>		
14	279318	Terminal, Brass & Tinned (3) (Includes Illus. 33)	35		Toe, Panel	<hr/> <b>(For Side &amp; Bottom Venting)</b> <hr/>		
				W10116271	White			
15	8066120	Lever, Snap Switch		W10116277	Ultimate Silver			
16	3394081	Wire, Belt Switch		W10140572	Aspen			
17	W10128772	Sound Panel		W10116273	Black/Chrome			
18	233520	Washer, Thrust	36	8563747	Exhaust Pipe & Bracket	55	279818	White
			37	8563750	Exhaust Pipe (Short)		279820	Black
							280171	Ultimate Silver
							W10152954	Aspen

FOR ORDERING INFORMATION REFER TO PARTS PRICE LIST

# BULKHEAD PARTS

For Models: WED9600TW0, WED9600TU0, WED9600TA0, WED9600TZ0, WED9600TB0  
(White) (Ultimate Silver) (Aspen) (White/Blue) (Black/Chrome)



# BULKHEAD PARTS

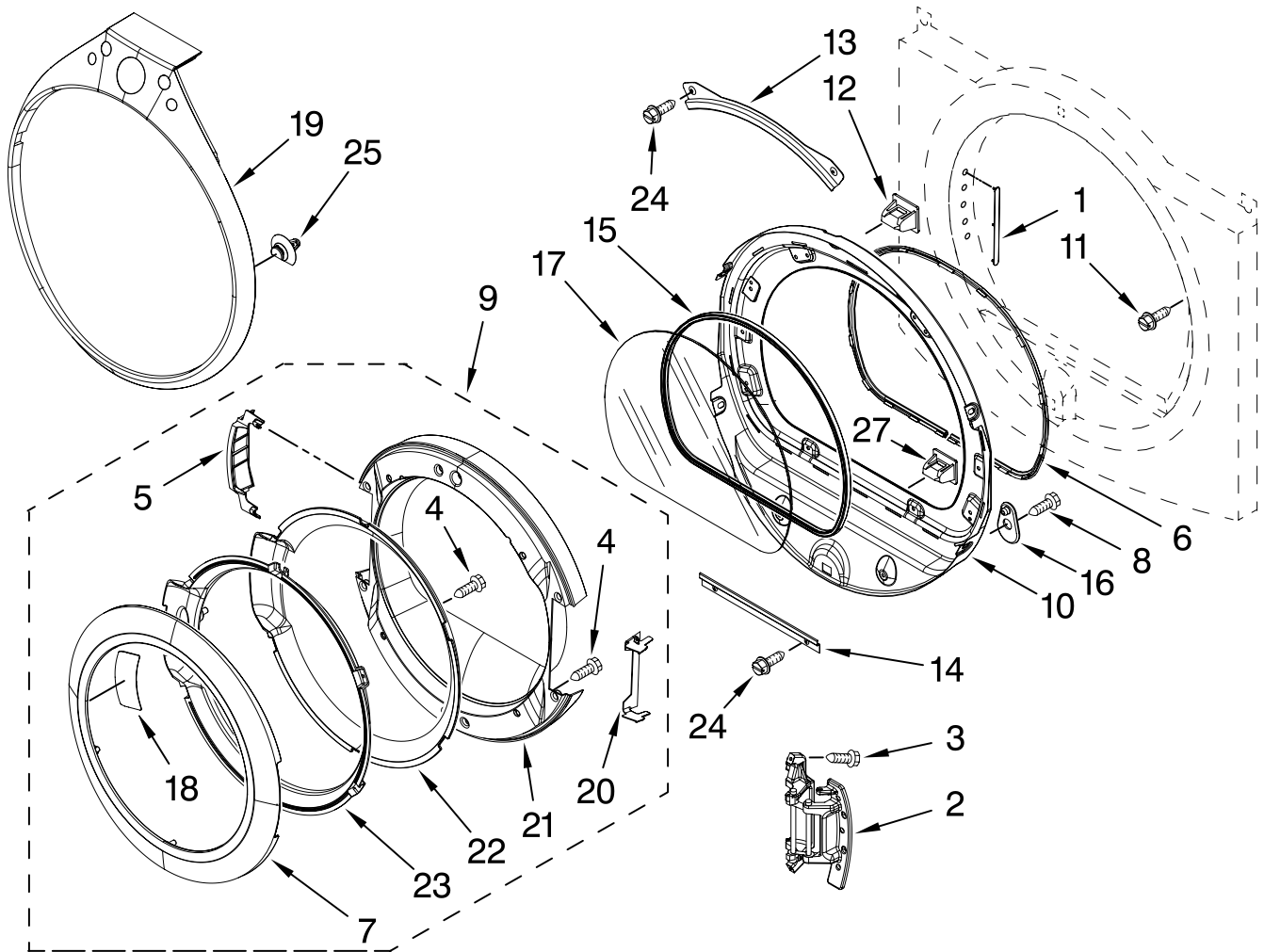
For Models: WED9600TWO, WED9600TU0, WED9600TA0, WED9600TZ0, WED9600TB0  
(White) (Ultimate Silver) (Aspen) (White/Blue) (Black/Chrome)

Illus. No.	Part No.	DESCRIPTION	Illus. No.	Part No.	DESCRIPTION	Illus. No.	Part No.	DESCRIPTION
1	8575324	Shaft, R.H. Thread	26	W10109200	Screw, 11-16 x 3/4	48	8557403	Thermostat 295°F (146°C) (Hi-Limit)
2	3390647	Screw, 8-18 x 1/2	27	697694	Seal, Drum	49	8544770	Housing-Tab Heater Box
3	3394984	Door, Lint Screen	28	695240	Screw, 8-18 x 1/2	50	8066099	Bracket, Heater Box
4	3406653	Harness, Sensor	29	8533971	Screw, 8-18 x 3/8	51	3387230	Screw, 10-16 x 1
5	697354	Air Duct Assembly	30	3391018	Cable-Tie	52	8544776	Flange-Heater Box
6	697813	Seal, Outlet Housing	31	90767	Screw, 8-18 x 3/8	53	W10113136	Baffle, Drum
7	697814	Seal, Drum Front	32	3392519	Thermal-Fuse (91°C)	54	8519245	Bulkhead, Front (Includes Illus. 65 & 66)
8	3934666	Nut, 3/8 x 16(R.H.)	33	3406124	Bulb, Light	55	W10044617	Cover, Inlet Valve
9	W10128544	Cap-Plug	34	3387223	Electrode, Sensor	56	W10044598	Hose, (Not Servicable Included With Illus. 57)
10	3402841	Lens, Drum Light	35	3977373	Bracket, Drum Light	57	W10044606	Nozzle & Hose Assembly (Includes Illus. 30,56,59,61 & 62)
11	489463	Screw, 8-18 x 3/8	36	W10136369	Socket Assembly	58	8299979	Grill, Outlet
12	8572105	Clip, Exhaust Pipe	37	697772	Wheel, Blower	59	W10044629	Nozzle & Screen Assembly
13	8066208	Clip-Spring	38	W10044616	Cover, Drum Light	60	697770	Seal, Cover Plate
14	8544771	Heater Element	39	3394986	Spring, Lint Screen Door	61	W10044579	Washer, Nozzle
15	279457	Terminal Wire Kit (For Heater Element Wiring Harness Repair)	40	W10044596	Valve, Water Inlet (Includes Illus. 31,41,55 & 63)	62	W10044580	Nut, Brass 9/16-24 x 1/32
16	W10001120	Nut, 3/8-16 (L.H.)	41	W10044597	Bracket-Valve	63	W10044605	Coupling, Hose
17	W10124071	Bulkhead, Rear	42	8577274	Thermistor	64	W10049370	Lint, Screen
18	3387459	Washer, Support	43	487909	Screw, 8-15 x 1/2	65	W10128629	Shield, Blower Housing (Includes Illus. 2.)
19	8575325	Shaft, L.H. Thread	44	8544362	Housing, Blower			
20	690997	Ring, Tri	45	8066168	Lint Duct Assembly			
21	8536973	Roller, Support	46	8544769	Housing-Slot Heater Box			
22	8066224	Exhaust Pipe	47	8318314	Thermal Cut-Off (Includes Illus. 48)			
23	3394985	Housing, Outlet						
24	8529007	Plug, Rear Bulkhead						
25	W10138031	Complete Drum Assembly						

FOR ORDERING INFORMATION REFER TO PARTS PRICE LIST

# DOOR PARTS

For Models: WED9600TW0, WED9600TU0, WED9600TA0, WED9600TZ0, WED9600TB0  
(White) (Ultimate Silver) (Aspen) (White/Blue) (Black/Chrome)



Illus. No.	Part No.	DESCRIPTION	Illus. No.	Part No.	DESCRIPTION	Illus. No.	Part No.	DESCRIPTION
1	W10085210	Label-Hinge Hole Cover	8	3393008	Screw, 10-16 x 1/2	17	8566254	Window
2	W10139920	Door Hinge Assembly	9	8579520	Door Assembly (Outer)	18	8580116	Pad-Handle
3	W10017850	Screw, 10-24 x 3/64	10	8578229	Door Assembly (Inner) (Includes Illus. 12 & 27)	19		Tear-Drop Trim & Clip Assembly
4	9742177	Screw, 8-18 x 5/8	11	355515	Screw, 8-18 x 11/16		W10133736	White
5	8578153	Cover-Hinge (L.H.) (Following Parts Not Included)	12	3398175	Door Catch Assembly (Upper)		W10133739	Ultimate Silver
	8578152	Cover-Hinge (R.H.)	13	8519356	Retainer-Window (Upper)		W10133740	Aspen
6	W10139457	Seal-Door	14	8519354	Retainer-Window (Lower)		W10133741	White/Blue
7		Handle, Ring & Pad Assembly	15	8579662	Gasket, Window	20	W10074630	Door-Shield
	W10048070	Silver	16	W10048910	Screw-Plug	21	8578157	Door Intermediate
	W10048010	Gold				22	8578156	Door Mask
						23	8578155	Door Screen
						24	3393258	Screw, 10-16 x 1/2
						25	W10129065	Clip-Trim (8)
						27	690081	Door Catch Assembly (Lower)

FOR ORDERING INFORMATION REFER TO PARTS PRICE LIST

# OPTIONAL PARTS (NOT INCLUDED)

For Models: WED9600TW0, WED9600TU0, WED9600TA0, WED9600TZ0, WED9600TB0  
(White) (Ultimate Silver) (Aspen) (White/Blue) (Black/Chrome)

<b>Illus. No.</b>	<b>Part No.</b>	<b>DESCRIPTION</b>
-------------------	-----------------	--------------------

## PAINT, TOUCH-UP (1/2oz.)

	72017	White
	72302	Black
	8212605	Ultimate Silver
	W10157756	New Aspen

## PAINT, PRESSURIZED SPRAY (12 oz.)

	350930	White
	786020	Black
	350938	Primer, Gray

## PAINT, BULK (1 qt.)

	799344	White (Uncut)
	786302	Black (Uncut)

## ACCESSORY PARTS

	8529894	Kit, Hold Down
	8541503	Kit, Stack Assembly
	8579666A	Kit, Door Reversing
	80047	Kit, Dryer Repair
	8521957	Dry Rack

## FOLLOWING PARTS NOT ILLUSTRATED

	76314	(Hose Inlet) 6'Hose With Elbow
	W10044603	(Hose Inlet) 1' Hose
	3976300	Washer
	W10044604	Connector Hose