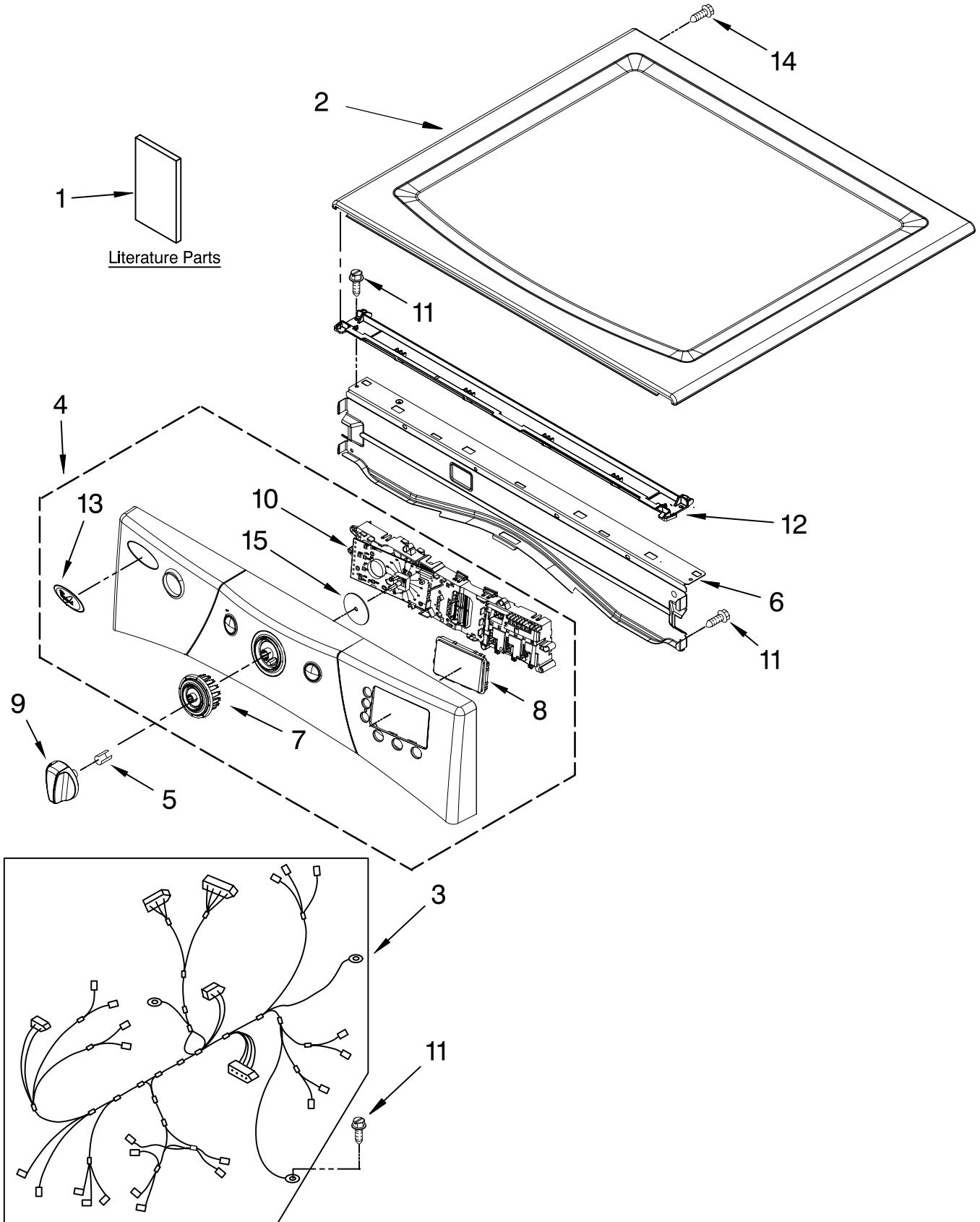




TOP AND CONSOLE PARTS

27" Electric Dryer

For Model: WED9270XW2, WED9270XR2, WED9270XL2
(White) (Red) (Mercury Silver)



FOR ORDERING INFORMATION REFER TO PARTS PRICE LIST

TOP AND CONSOLE PARTS

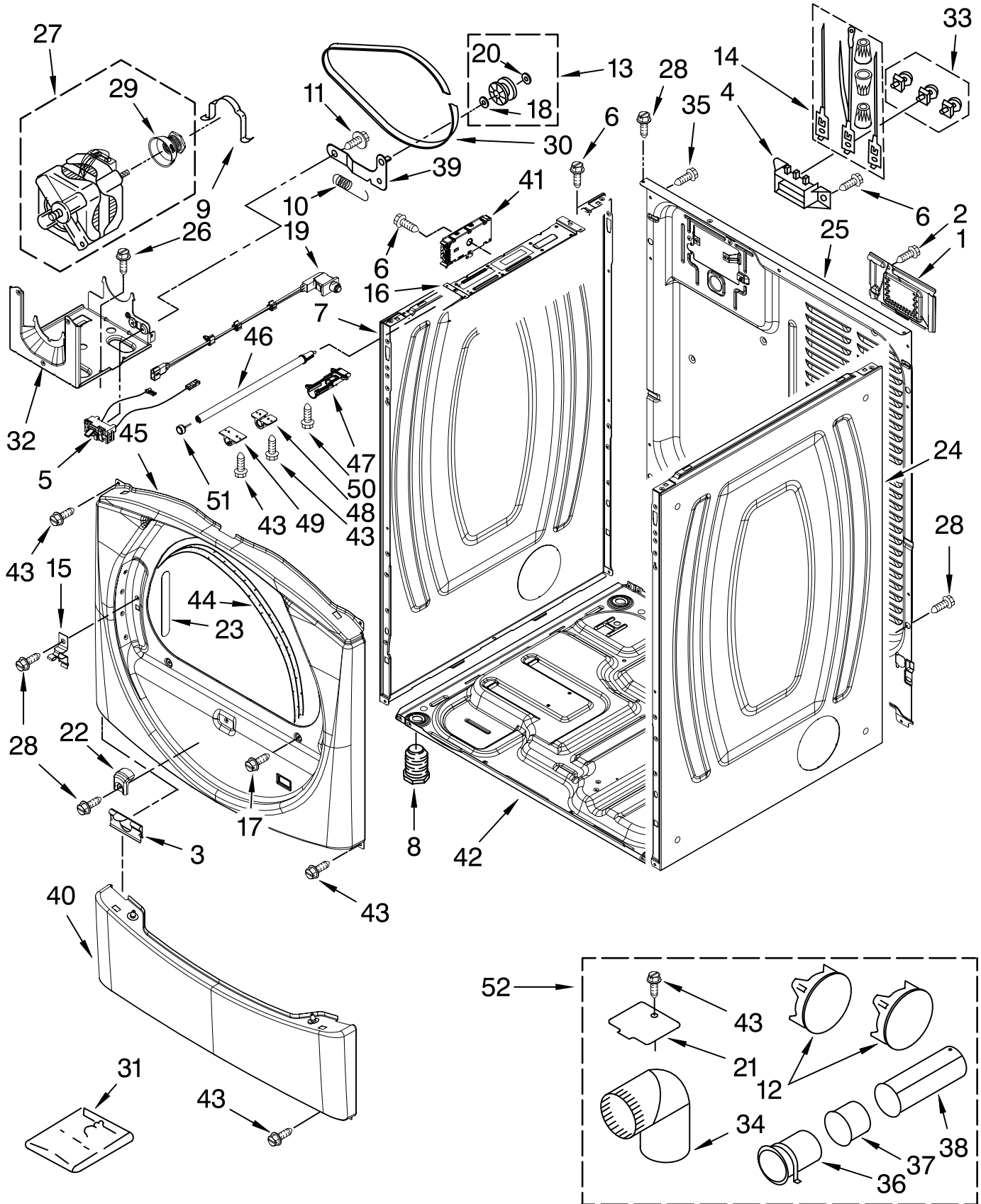
For Model: WED9270XW2, WED9270XR2, WED9270XL2
(White) (Red) (Mercury Silver)

Illus. No.	Part No.	DESCRIPTION
1		Literature Parts
	W10293937	Use & Care Guide
	W10340328	Tech Sheet
	W10240579	Guide, Quick Start
2		Top
	W10336080	White
	W10336090	Red
	W10336091	Mercury
3	W10278759	Harness, Main
4		Panel, Console (Include Items, 13, 16, 18 & 19)
	W10329850	White
	W10329852	Red
	W10329851	Mercury
5	W10153920	Spring, Knob
6	8565237	Bracket, Console
7	W10237301	Cycle, Light Guide
8	W10212742	Window, Led Display
9		Assembly, Knob
	W10215781	White
	W10247262	For Red & Silver Models
10	W10215475	Assembly, User Interface
11	3390647	Screw, 8-18 x 1/2
12	W10266747	Chanel, Water
13	W10117943	Badge, Assembly
14	3400238	Screw, 2-28 x 1/2
15	8572039	Seal, User Interface

FOR ORDERING INFORMATION REFER TO PARTS PRICE LIST

CABINET PARTS

For Model: WED9270XW2, WED9270XR2, WED9270XL2
(White) (Red) (Mercury Silver)



FOR ORDERING INFORMATION REFER TO PARTS PRICE LIST

CABINET PARTS

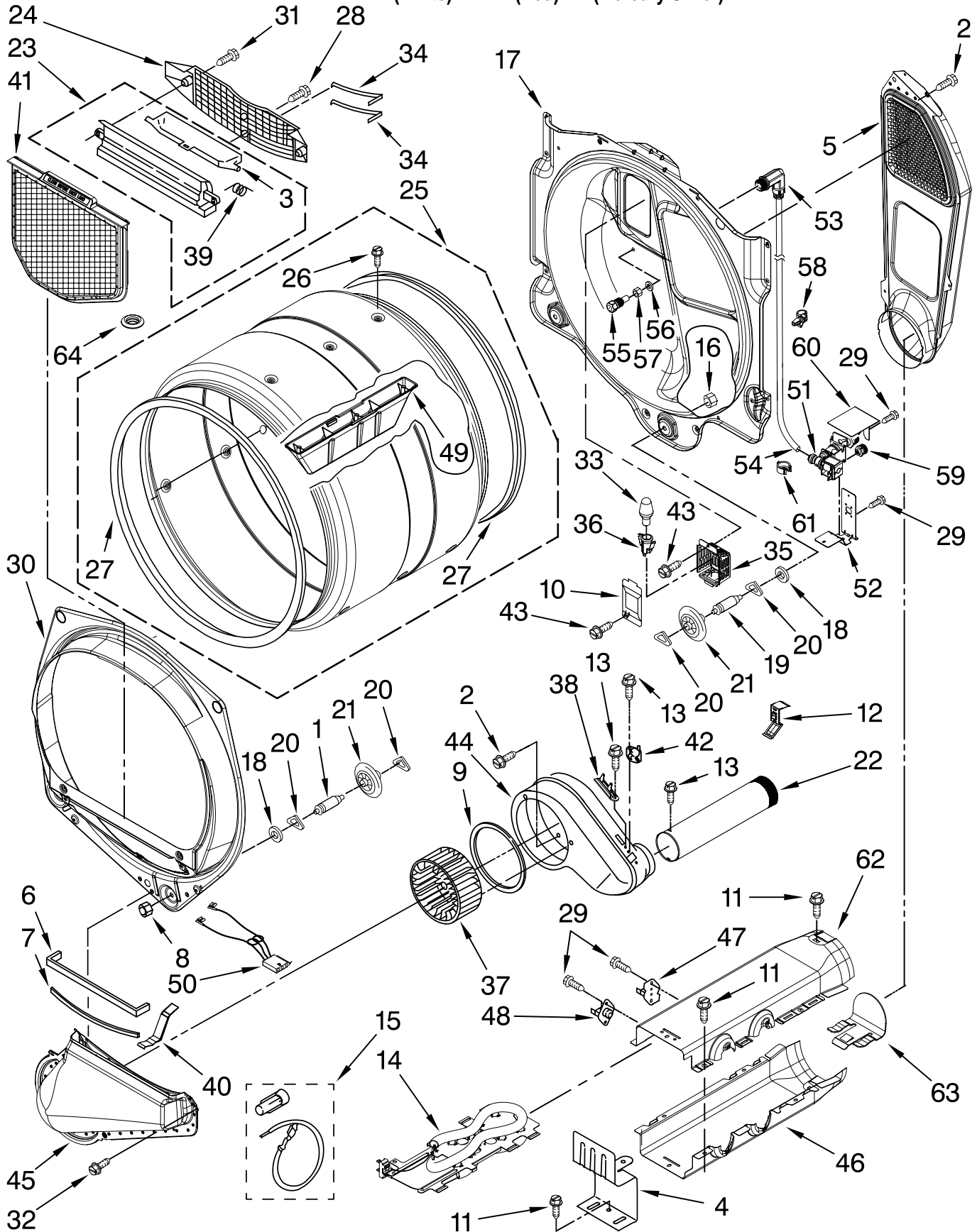
For Model: WED9270XW2, WED9270XR2, WED9270XL2
(White) (Red) (Mercury Silver)

Illus. No.	Part No.	DESCRIPTION	Illus. No.	Part No.	DESCRIPTION	Illus. No.	Part No.	DESCRIPTION
1	W10286180	Cover, Terminal Block	19	W10318609	Switch, Assembly Door	40		Toe Panel
2	3390814	Screw, 8-18 x 3/8	20	690997	Tri Ring		8540621	White
3	8519459	Clip, Toe Panel	21	8066115	Cover-Plate		W10251209	Red
4	3397659	Block, Terminal	22	8580015	Ramp, Door		W10251210	Mercury
5	W10246525	Switch, Broken Belt	23	W10085210	Label-Hinge Hole Cover	41	W10286015	Control Board
6	90767	Screw, 8-18 x 3/8			Front Panel	42	8565046	Base, Cabinet
7		Panel, Side (L.H.)	24		Panel, Side (R.H.)	43	3390647	Screw, 8-18 x 1/2
	8565054	White		8565048	White	44	W10212742	Window, Led
	W10251216	Red		W10251217	Red	45		Front Panel (Include, Item. 44)
	W10251218	Mercury		W10251219	Mercury		8580257	White
8	3392100	Foot, Dryer	25	W10281297	Panel, Rear		W10251201	Red
	279810	Foot - Optional (Extended Length Package Of 2) (Not Included)	26	343641	Screw, 10-16 x 1/2		W10251202	Mercury
9	660658	Clamp, Motor (2)	27	8538263	Motor, Assembly 60 HZ.	46	W10103457	Pogo Bar Assembly
10	3387374	Spring, Idler	28	3393008	Screw, 10-16 x 1/2	47	W10101220	Housing Assembly
11	3389420	Retainer, Idler	29	8578220	Pulley 60 HZ.	48	W10101183	Bushing-Sleeve Stop
12		Plug, Multivent	30	3387610	Belt, Drive	49	W10307561	Bushing-Sleeve Rear
	49252	White	31	8572546	Kit, Stack Assembly	50	487909	Screw, 8-15 x 3/8
	W10151499	Midnight Grey	32	W10242878	Bracket, Motor	51	W10011740	End-Cap
13	3388672	Pulley Assembly	33	279393	Terminal Block Screw Kit (For Terminal Block)	<hr/> Optional Parts Not Included <hr/>		
14	279318	Terminal, Brass & Tinned (3) (Include, Item. 33)	34	49026	4" - 90° Elbow	<hr/> Dryer Exhaust Kit (For Side & Bottom Venting) <hr/>		
15	8565122	Strike, Door	35	8533974	Screw, Ground			
16	W10103443	Bracket, Control Pogo	36	8563747	Exhaust Pipe & Bracket			
17	3357011	Screw, 10-16 x 1/2	37	8563750	Exhaust Pipe (Short)			
18	W10121334	Washer, Thrust	38	8563749	Exhaust Pipe (Long)			
			39	3388674	Idler Bracket	52	W10331132	White

FOR ORDERING INFORMATION REFER TO PARTS PRICE LIST

BULKHEAD PARTS

For Model: WED9270XW2, WED9270XR2, WED9270XL2
(White) (Red) (Mercury Silver)



FOR ORDERING INFORMATION REFER TO PARTS PRICE LIST

BULKHEAD PARTS

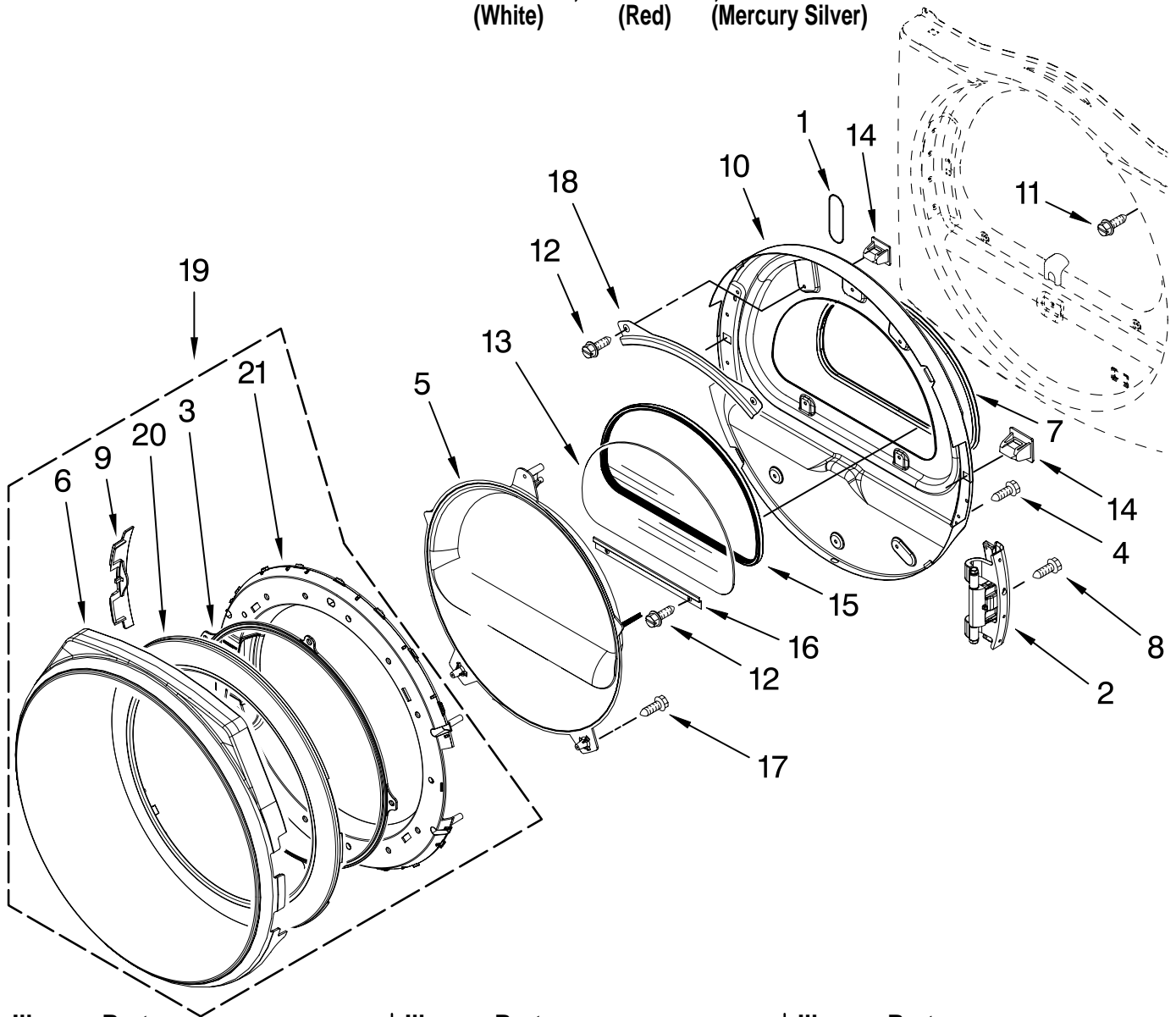
For Model: WED9270XW2, WED9270XR2, WED9270XL2
(White) (Red) (Mercury Silver)

Illus. No.	Part No.	DESCRIPTION	Illus. No.	Part No.	DESCRIPTION	Illus. No.	Part No.	DESCRIPTION
1	W10359271	Shaft, R.H. Thread	24	W10153412	Grille, Outlet	48	3391914	Thermostat 295°F (146°C)
2	3390647	Screw, 8-18 x 1/2	25	W10153420	Complete Drum Assembly	49	W10153409	Baffle, Drum
3	W10153413	Door, Lint Screen	26	W10219342	Screw, 8-16 x 1/2	50	3406653	Harness, Sensor
4	8066099	Bracket, Heater Box	27	W10166807	Seal, Drum	51	W10346403	Valve, Water Inlet (Include Items, 29,58,59 & 60)
5	697354	Air Duct Assembly	28	695240	Screw, 8-18 x 1/2	52	W10346402	Bracket, Valve
6	697813	Seal, Outlet Housing	29	90767	Screw, 8-18 x 3/8	53	W10154995	Nozzle Assembly (Include Items, 55,56,57 & 58)
7	697814	Seal, Drum Front	30	8565061	Bulkhead, Front	54	W10044598	Hose, Nylon (Not Servicable) (Included With Item. 53)
8	3934666	Nut, 3/8 x 16(R.H.)	31	3387230	Screw, 10-16 x 1	55	W10277503	Nozzle
9	697770	Seal, Cover Plate	32	489463	Screw, 8-18 x 5/8	56	W10044579	Washer, Nozzle
10	3402841	Lens, Drum Light	33	3406124	Bulb, Light	57	W10044628	Brass Nut 9/16-24 x .336
11	693995	Screw, 8-18 x 3/8	34	3387223	Electrode, Sensor	58	3391018	Tie Cable
12	8572105	Clip, Exhaust	35	8578825	Bracket, Drum Light	59	W10044605	Coupling, Hose
13	8533971	Screw, 8-18 x 5/16	36	W10214261	Socket Assembly	60	W10184825	Cover, Inlet Valve
14	8544771	Heater Element	37	697772	Wheel, Blower	61	W10044615	Clip, Push-To-Connect
15	279457	Terminal Wire Kit (For Heater Element Wiring Harness Repair)	38	3392519	Thermal Fuse (91°C)	62	8544769	Housing-Slot Heater Box
16	W10001120	Nut, 3/8-16 (L.H.)	39	3394986	Spring, Lint Screen Door	63	8544776	Flange, Heater Box
17	W10133857	Bulkhead, Rear	40	8066208	Clip-Spring	64	W10128544	Caplug
18	3387459	Washer, Support	41	W10049370	Lint, Screen			
19	W10359272	Shaft, L.H. Thread	42	8577274	Thermistor			
20	690997	Ring, Tri	43	487909	Screw, 8-15 x 1/2			
21	W10314171	Roller, Support	44	8544362	Housing, Blower			
22	8563728	Exhaust Pipe	45	8066168	Lint Duct Assembly			
23	W10153423	Housing, Outlet	46	8544770	Housing-Tab Heater Box			
			47	8318314	Thermal Cut-Off (Include, Item. 48)			

FOR ORDERING INFORMATION REFER TO PARTS PRICE LIST

DOOR PARTS

For Model: WED9270XW2, WED9270XR2, WED9270XL2
(White) (Red) (Mercury Silver)



Illus. No.	Part No.	DESCRIPTION
1		Label, Hinge Hole Cover
	W10215815	For White Model
	W10085230	For Red & Silver Models
2	W10304672	Door, Hinge Assembly
3		Screen, Door (Not Serviceable Separately, Order Item. 19)
4	8534044	Screw, 8-18 x 1/2
5	W10215764	Door, Intermediate Stationary
6		Door Trim Outer Ring
	W10215757	White
	W10215824	Red
	W10215823	Mercury

Illus. No.	Part No.	DESCRIPTION
7	W10163915	Door Seal
8	W10159996	Screw,
9		Door Trim, Hinge Cover
	W10215766	White
	W10215826	Red
	W10215825	Mercury
10	W10363674	Door Assembly Inner (Includes Item. 1 & 14)
11	355515	Screw, 8-18 x 11/16
12	3393258	Screw, 10-16 x 1/2
13	W10286878	Window

Illus. No.	Part No.	DESCRIPTION
14	690081	Door Catch Assembly
15	8579663	Seal, Window
16	8519354	Retainer (Lower)
17	8534022	Screw
18	8519356	Retainer (Upper)
19		Door Assembly Outer
	W10215756	White
	W10215831	Red
	W10215830	Mercury
20		Trim-Door Inner Ring (Not Serviceable Separately, Order Item. 19)
21	W10215762	Door Intermediate Rotational

FOR ORDERING INFORMATION REFER TO PARTS PRICE LIST

OPTIONAL PARTS (NOT INCLUDED)

For Model: WED9270XW2, WED9270XR2, WED9270XL2
(White) (Red) (Mercury Silver)

Illus.	Part
No.	No. DESCRIPTION

PAINT, TOUCH-UP (1/2oz.)

72017 White
W10218245 Magna Red
W10268217 Mercury Silver

PAINT, PRESSURIZED SPRAY (12 oz.)

350930 White
350938 Primer, Gray

PAINT, BULK (1 qt.)

799344 White (uncut)

ACCESSORY PARTS

8529894 Hold Down Kit
8522199 Kit, Dryer
Vent Testing
80047 Kit,
Dryer Repair

ACCESSORY PARTS

The following power cord can be ordered.
Important: Check local wiring code requirements to see if one of these meets your needs.

PT220L 4' 30 Amp 3 Wire
Dryer Cord
PT400L 4' 30 Amp 4 Wire
Dryer Cord
PT600L 6' 30 Amp 4 Wire
Dryer Cord

Miscellaneous Parts Bag

W10362238 Bag Assembly
(Contains The
Following)
89503 Hose, Inlet
(5' Hose)
W10342767 Hose, Inlet
(2' Hose)
W10242307 Washer, Hose
W10336486 Connector,
Hose "Y"

FOR ORDERING INFORMATION REFER TO PARTS PRICE LIST