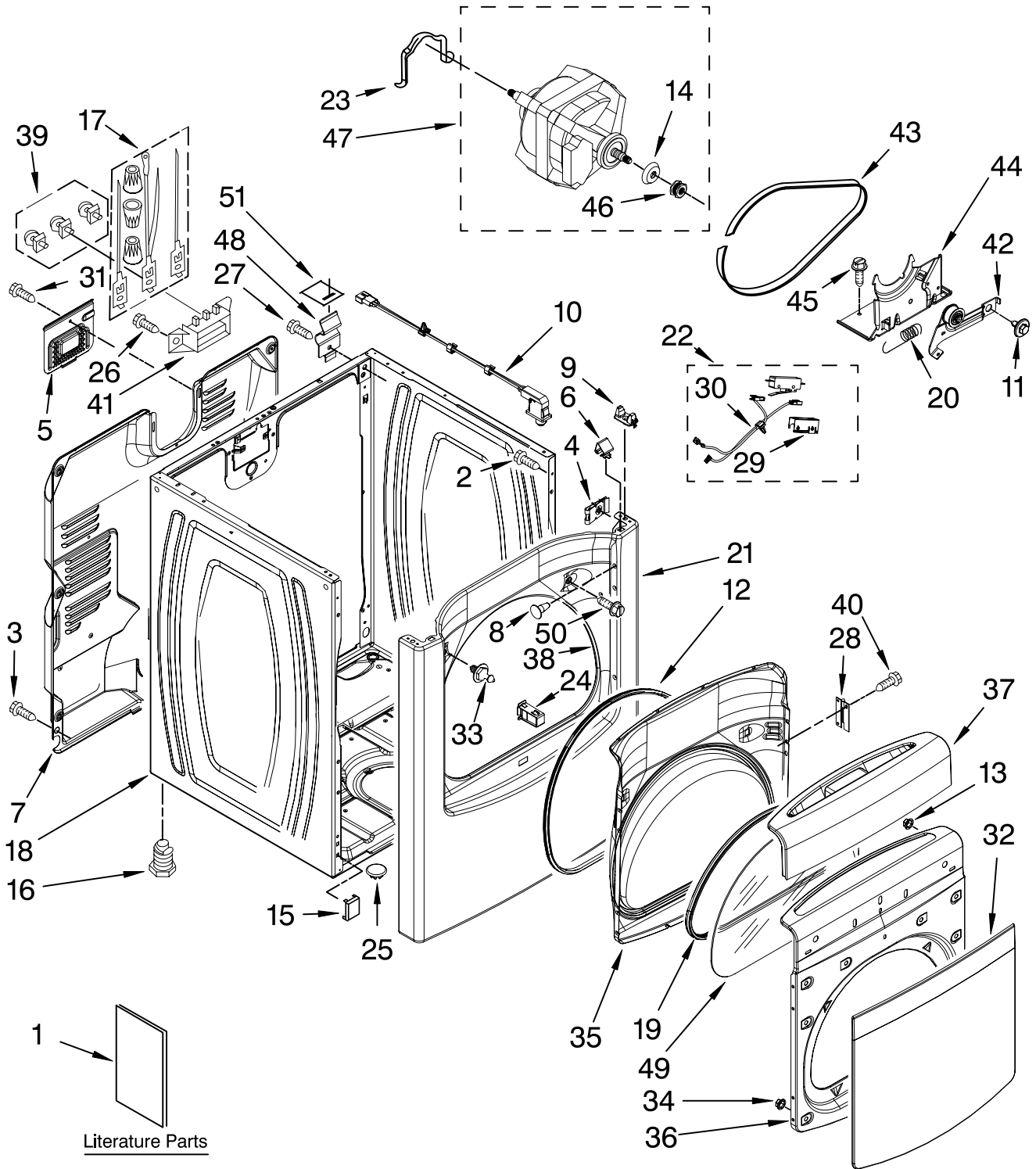




CABINET PARTS

29" ELECTRIC DRYER

For Model: WED6400SW0, WED6400SB0, WED6400SG0
(White/Grey) (Black) (Biscuit/Gold)



Literature Parts

FOR ORDERING INFORMATION REFER TO PARTS PRICE LIST

CABINET PARTS

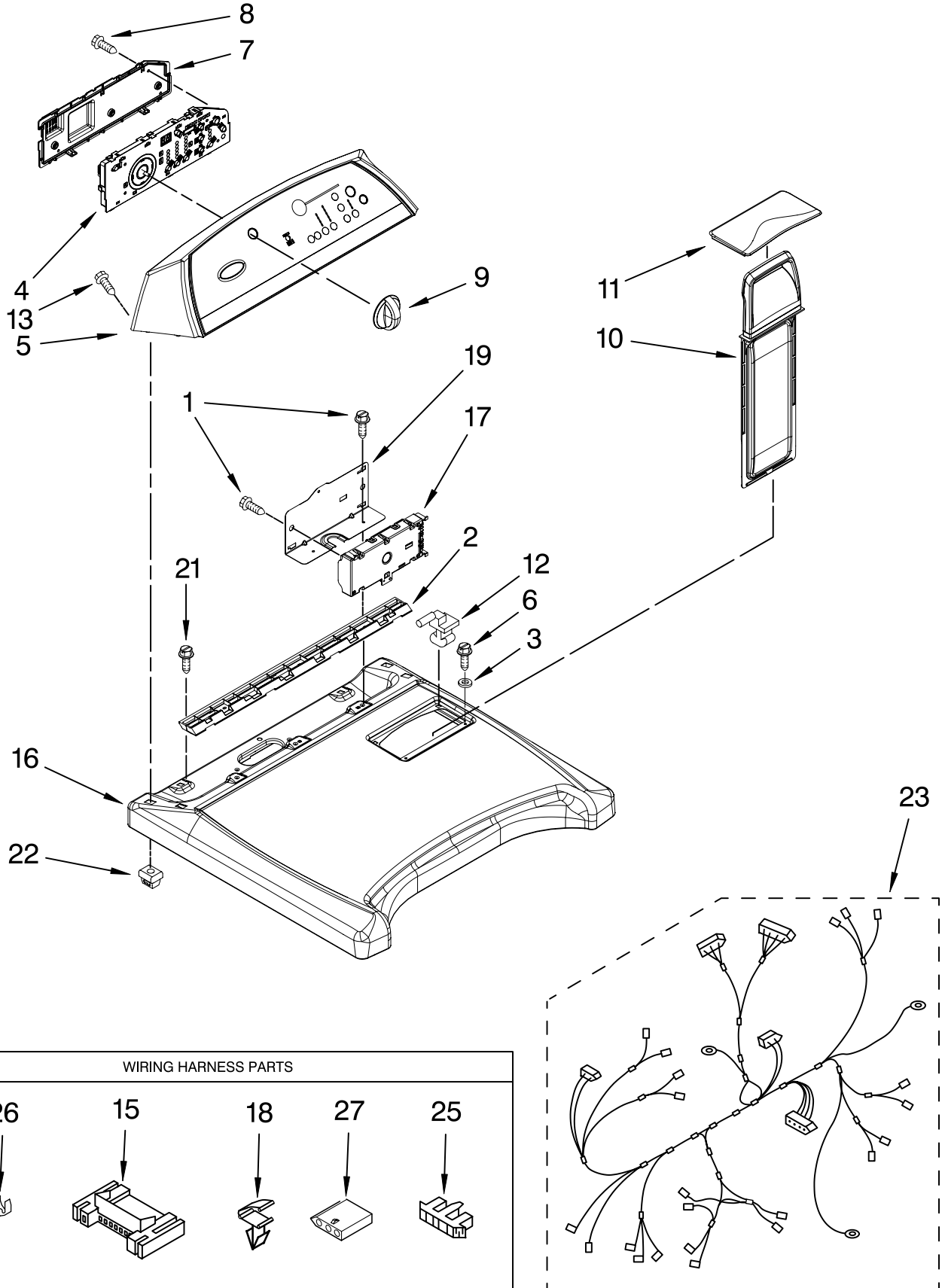
For Model: WED6400SW0, WED6400SB0, WED6400SG0
(White/Grey) (Black) (Biscuit/Gold)

Illus. No.	Part No.	DESCRIPTION	Illus. No.	Part No.	DESCRIPTION	Illus. No.	Part No.	DESCRIPTION
1		Literature Parts	17	279318	Terminal, Tinned & Brass (3) (Includes Illus. 39)	32		Window, Outer Door
	W10054150	Tech Sheet					8575030	White
	W10054090	Guide, Quick Start	18		Cabinet		8575049	Black
	W10054070	Use & Care Guide		8557569	White		8575050	Biscuit
Following May Be Purchased				W10045390	Black	33	8572983	Strike, Door
DO-IT-YOURSELF REPAIR MANUALS				8572115	Biscuit	34	308499	Palnut (10)
	LIT677818	Dryer	19	8565016	Gasket, Inner Door	35		Door Inner
2	343641	Screw, 10-16 x 1/2	20	3387374	Spring, Idler		8565037	White
3	693995	Screw, 8-18 x 3/8	21		Panel, Front		8575052	Grey
4	W10007520	Clip, Ground (2)		8565029	White	36		Door, Outer
5	W10110241	Cover, Block		8565032	Black		8565042	White
6	8576625	Lock-Top Front (2)	22	8566208	Switch Assembly		8575025	Black
7	8558830	Panel, Rear	23	660658	Clamp, Motor		8575024	Biscuit
8		Plug-Hole	24	8572982	Catch, Door Assembly	37		Door Handle
	3404413	White	25	8578560	Hole-Plug (Cabinet Base)		8573847	White
	3404416	Black	26	3393008	Screw, 10-16 x 1/2	W10050100		Black
	3404415	Biscuit	27	3390631	Screw, 8-18 x 1/2		8573848	Biscuit/Gold
9	8568303	Locator, Snap Down	28		Hinge, Assembly	38	W10044490	Seal, Front Panel
10	3978977	Door Switch Assembly		8565018	White	39	279393	Terminal Block Kit (For Terminal Block)
11	3389420	Retainer, Idler		W10050090	Black	40	342055	Screw, 10-32 x 5/8
12	8575027	Seal, Door	29	8564011	Bracket, Switch	41	3397659	Block, Terminal
13	342055	Pal Nut (4)	30	8539897	Belt-Switch Jumper	42	8547174	Pulley Assembly
14	8578538	Restrainer, Belt	31	8533974	Screw Ground	43	8547168	Belt, Drive
15	3394083	Clip, Front Panel (2)				44	8547166	Base, Motor
16	3392100	Foot, Dryer				45	W10002600	Bolt, 6-20 x 1 1/4
	279810	Foot-Optional (Extended Length Package of 2) (Not Included)				46	8578565	Pulley, 60 HZ
						47	8566152	Motor Assembly 60 HZ.
						48	238088	Hinge, Top (2)
						49	8565015	Glass, Inner Door
						50	W10100830	Screw, 10-16 x 3/64
						51	18849	Pad-Top Hinge

FOR ORDERING INFORMATION REFER TO PARTS PRICE LIST

TOP AND CONSOLE PARTS

For Model: WED6400SW0, WED6400SB0, WED6400SG0
 (White/Grey) (Black) (Biscuit/Gold)



FOR ORDERING INFORMATION REFER TO PARTS PRICE LIST

TOP AND CONSOLE PARTS

For Model: WED6400SW0, WED6400SB0, WED6400SG0
 (White/Grey) (Black) (Biscuit/Gold)

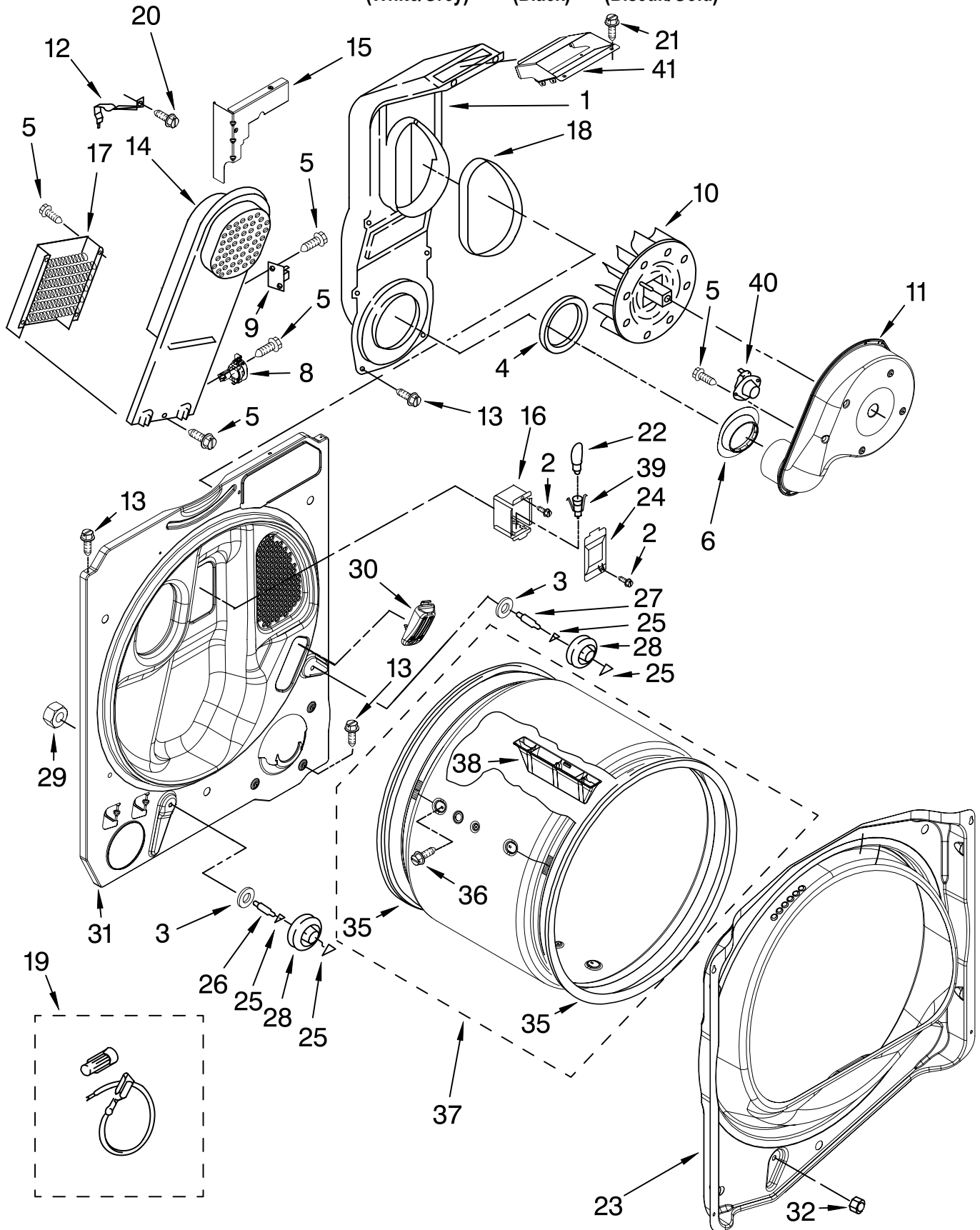
Illus. No.	Part No.	DESCRIPTION
1	W10106830	Screw
2	8558863	Bracket, Console
3	237446	Washer (Top/Chute)
4	8563974	User Interface
5		Panel, Console
	W10110325	White
	W10110330	Black
	W10110328	Biscuit
6	3196537	Screw, 8-18 x 5/8
7	8564265	Cover, Rear
8	W10003770	Screw, 6-19 x 3/64
9		Knob, Assembly
	8574957	White
	8574959	Black
	8574958	Biscuit
10	8572270	Assembly, Lint Screen
11		Cover, Lint Screen
	W10044320	White
	W10044360	Black
	W10044330	Biscuit
12	W10044470	Hinge, R.H.
	W10044480	Hinge, L.H.
13	W10001580	Screw
15	3395683	Connector (Motor)
16		Top
	8565025	White
	8565028	Black
	8565027	Biscuit
17	W10074270	Control, Electronic
18	3394427	Clip-Harness
19	8563853	Bracket, Machine Controller
21	337686	Screw
22	8558853	Grommet
23	8299914	Harness Wiring
25	3936144	Connector
26	94614	Terminal
27	3397269	Connector, Timer

FOR ORDERING INFORMATION REFER TO PARTS PRICE LIST

BULKHEAD PARTS

For Model: WED6400SW0, WED6400SB0, WED6400SG0

(White/Grey) (Black) (Biscuit/Gold)



FOR ORDERING INFORMATION REFER TO PARTS PRICE LIST

BULKHEAD PARTS

For Model: WED6400SW0, WED6400SB0, WED6400SG0
 (White/Grey) (Black) (Biscuit/Gold)

Illus. No.	Part No.	DESCRIPTION
1	8544805	Lint Chute Assembly
2	487909	Screw, 8-15 x 1/2
3	3387459	Washer-Support
4	347139	Seal, Lint Chute
5	90767	Screw, 8-18 x 3/8
6	8573836	Shield, Exhaust
8	8566498	Thermostat, HI-Limit
9	W10169881	Kit, Thermal Cut-Off (Includes Illus. 8)
10	694089	Wheel, Blower (Includes Illus. 22)
11	8577230	Housing, Blower
12	8546149	Clip-Heater Box
13	343641	Screw, 10-16 x 1/2
14	8544801	Box, Heater
15	W10053480	Bracket, Lint Chute
16	3977373	Bracket, Drum Light
17	8573069	Element, Heater
18	8544813	Seal
19	279457	Wire Kit, Terminal (For Heater Element Wiring Harness Repair)
20	489463	Screw, 8-18 x 5/8
21	3196587	Screw
22	3406124	Bulb
23	8558890	Bulkhead, Front
24	3402841	Lens, Drum Light
25	690997	Ring Tri
26	8575325	Shaft, (L.H.)
27	8575324	Shaft, (R.H.)
28	8536973	Roller, Support
29	W10001120	Nut, 3/8-16
30	8576468	Assembly, Sensor
31	8557242	Bulkhead, Rear
32	3934666	Nut 3/8-16 (R.H.)
35	8557277	Seal Drum (2)
36	97787	Screw, 11-16 x 3/4
37	8557272	Drum, Assembly
38	8565688	Baffle, Drum (2)
39	3403634	Socket Assembly
40	8577274	Thermistor
41	8544810	Collar, Lint Chute

FOR ORDERING INFORMATION REFER TO PARTS PRICE LIST

OPTIONAL PARTS (NOT INCLUDED)

For Model: WED6400SW0, WED6400SB0, WED6400SG0
(White/Grey) (Black) (Biscuit/Gold)

Illus. No.	Part No.	DESCRIPTION
-------------------	-----------------	--------------------

ACCESSORY PARTS

	279948	Kit, Dryer Repair
	W10071550	Dry Rack
	8522199	Kit, Dryer Vent Testing

PAINT, TOUCH-UP (1/2oz.)

	72017	White
	4392899	Biscuit
	72032	Black

PAINT, PRESSURIZED SPRAY (12 oz.)

	350930	White
	4392901	Biscuit
	285006	Black
	350938	Primer, Gray

PAINT, BULK (1 qt.)

	799344	White (Uncut)
--	--------	---------------

FOR ORDERING INFORMATION REFER TO PARTS PRICE LIST