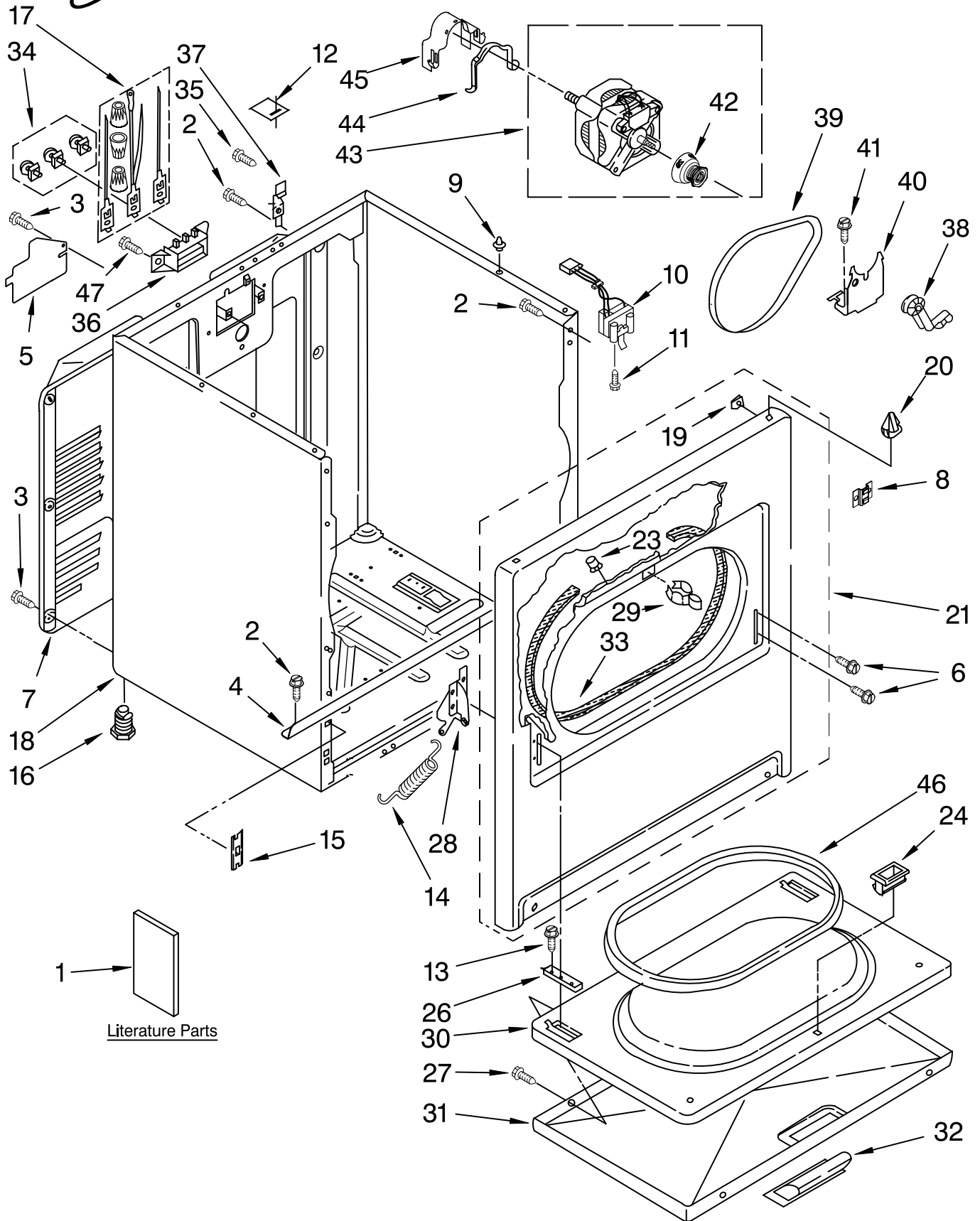




CABINET PARTS

For Models: WED5900SW0, WED5900SB0
(White/Grey) (BLACK)

29" Electric Dryer



FOR ORDERING INFORMATION REFER TO PARTS PRICE LIST

CABINET PARTS

For Models: WED5900SW0, WED5900SB0
(White/Grey) (BLACK)

Illus. No.	Part No.	DESCRIPTION	Illus. No.	Part No.	DESCRIPTION	Illus. No.	Part No.	DESCRIPTION
1	8577188	Literature Parts Installation Instructions	14	8541401	Spring, Door (2)	29	696144	Strike, Door
	W10042910	Sheet, Cycle Feature	15	3394083	Clip, Front Panel (2)	30	695737	Door, Rear
	8578183	Use & Care Guide	16	3392100	Foot, Dryer	31	3393549	Door, Front
	W10042930	Tech Sheet		279810	Foot-Optional (Extended Length Package of 2) (Not Included)		3403110	White
	W10042920	Sheet, Feature Resource Saver				32	W10095180	Black
			17	279318	Terminal, Tinned & Brass (3) (Includes Illus. 34)		W10095200	Handle, Door
								White
			18		Cabinet (Includes Illus. 4)	33	3406129	Black
				8530603	White			Seal & Bearing Assembly
				8530605	Black	34	279393	Terminal Block Kit (For Terminal Block)
			19	98234	Clip, Ground			Screw, 10-32 x 5/8
			20	18776	Lock, Front Top (2)	35	697776	Block, Terminal
			21		Panel, Front	36	3397659	Block, Terminal
				695620	White	37	8066217	Hinge, Top (2)
				3978795	Black	38	691366	Hinge, Top (2)
			23	685203	Clip, Felt Pad (3)			Idler & Pulley Assembly
			24	3389441	Catch, Door Assembly	39	8066065	Belt, Drive
			26	337189	Clip, Hinge (2)	40	348780	Base, Motor
			27	694091	Screw, 8-18 x 3/8	41	3400500	Bolt, 5/16-18 x 3/4
			28	8066056	Hinge, R.H.	42	8066184	Pulley, 60 Hz.
				8066057	Hinge, L.H.	43	8066206	Motor Assembly 60 Hz.
						44	660658	Clamp, Motor
						45	3404162	Clamp, Motor (W/Shield)
						46	3390731	Seal, Door
						47	3393008	Screw, 10-16 x 1/2

Following May Be Purchased

DO-IT-YOURSELF REPAIR MANUALS

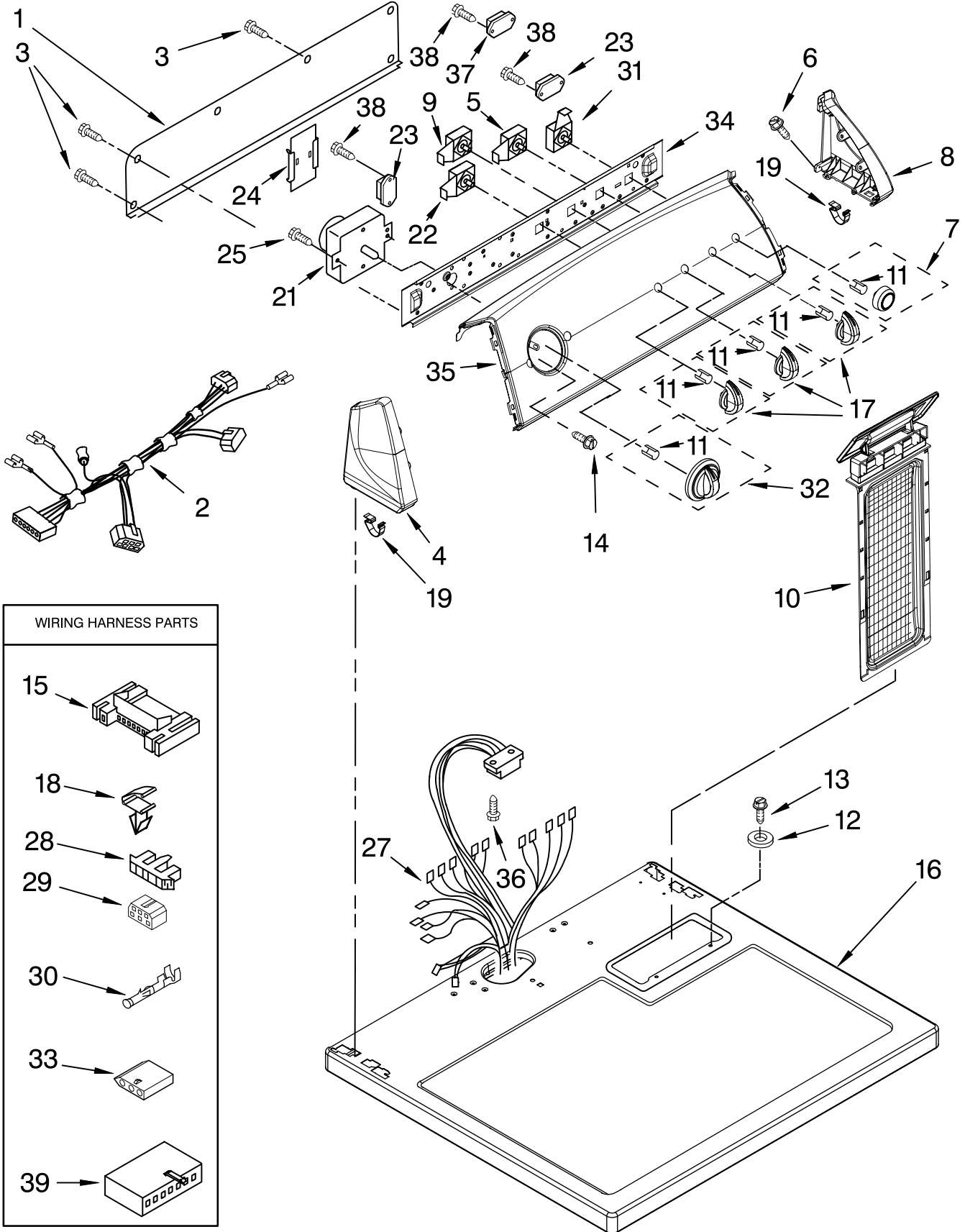
677818 Dryer

2	343641	Screw, 10-16 x 1/2
3	693995	Screw, 8-18 x 3/8
4	8541400	Bracket, Cabinet
5	3396795	Cover, Block
6	342043	Screw, 10-32 x 3/8
7	3396805	Panel, Rear
8	8546676	Clip, Door Spring
9	98669	Locator, Top
10	3406107	Door Switch Assembly
11	697773	Screw, 6-20 x 7/8
12	18849	Pad, Top Hinge
13	3357011	Screw, 10-16 x 1/2

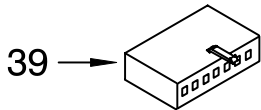
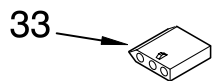
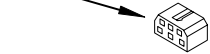
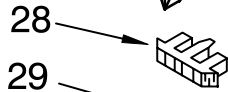
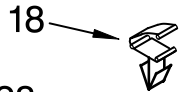
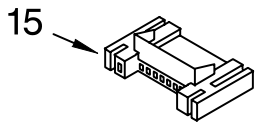
FOR ORDERING INFORMATION REFER TO PARTS PRICE LIST

TOP AND CONSOLE PARTS

For Models: WED5900SW0, WED5900SB0
(White/Grey) (BLACK)



WIRING HARNESS PARTS



FOR ORDERING INFORMATION REFER TO PARTS PRICE LIST

TOP AND CONSOLE PARTS

For Models: WED5900SW0, WED5900SB0
(White/Grey) (BLACK)

Illus. No.	Part No.	DESCRIPTION	Illus. No.	Part No.	DESCRIPTION	Illus. No.	Part No.	DESCRIPTION
1	8274261	Panel, Rear Console	12	237446	Washer (Top/Chute)	28	3397269	Connector (Timer)
2	8283135	Harness, Console	13	688983	Screw, 8-18 x 5/8	29	3347243	Connector 6-Circuit
3	693995	Screw, Hex Head	14	8533951	Screw, Grounding	30	94614	Terminal
4		Cap, End (L.H.)	15	3395683	Connector (Motor)	31	3977456	Switch, Push-To-Start
	8566035	White	16		Top	32		Timer Knob Assembly
	8566037	Black		W10028870	White		W10034750	Silver
5	3405151	Switch, Signal		W10028890	Black	33	3936144	Connector
6	388326	Screw, Console	17		Knob, Control (3)	34	8566052	Bracket, Control
7		Knob, Push-To-Start		W10034380	Silver	35		Panel, Control (Includes Illus. 20)
	W10034770	Silver	18	3394427	Clip-Harness		8566077	Silver
8		Cap, End (R.H.)	19	8312709	Clip-Console	36	343641	Screw, 10-16 x 1/2
	8566032	White	21	8299771	Timer, 60 Hz.	37	8566493	Heat Relay
	8566034	Black	22	8299970	Switch, Temperature	38	3388228	Screw, 6-20 x 3/8
9	3405152	Switch, Wrinkle Shield	23	3405281	Power Relay (2)	39	3936150	Connector, 7-Circuit
10		Screen, Lint	24	3976623	Control Board			
	8557857	White	25	8533971	Screw, Mounting (8-18 x 5/16)			
	8557859	Black	27	8299897	Harness, Wiring			
11	8536939	Clip, Spring						

FOR ORDERING INFORMATION REFER TO PARTS PRICE LIST

BULKHEAD PARTS

For Models: WED5900SW0, WED5900SB0
(White/Grey) (BLACK)

Illus. No.	Part No.	DESCRIPTION
1	348368	Lint Chute Assembly
2	487909	Screw, 8-15 x 1/2
3	3388703	Washer-Support
4	347139	Seal, Lint Chute
5	90767	Screw, 8-18 x 3/8
6	696302	Shield, Exhaust
7	3390719	Thermal Fuse
8	8577274	Thermistor
9	3977393	Thermal, Cut-Off (Includes Illus. 15)
10	694089	Wheel, Blower (Includes Illus. 22)
11	8577231	Housing, Blower
12	3398161	Clip
13	343641	Screw, 10-16 x 1/2
14	8541818	Box, Heater
15	3404153	Thermostat, 180°F (82.2°C)
16	3977373	Bracket, Drum Light
17	3401338	Element, Heater
18	8066086	Drum Hole Plug
19	279457	Wire Kit, Terminal (For Heater Element Wiring Harness Repair)
20	489463	Screw, 8-18 x 5/8
21	3390647	Screw, 8-18 x 1/2
23	3976479	Pad, Sensor
24	3406124	Bulb
25	3402841	Lens, Drum Light
26	690997	Ring, Tri
27	3399506	Shaft, L.H.
28	3399507	Shaft, R.H.
29	3397590	Roller, Support
30	348197	Washer, Support
31	3359452	Nut, 3/8-16
32	3403414	Bulkhead
33	3403634	Socket Assembly
34	692526	Ring, Bearing (2)
35	97787	Screw, 11-16 x 3/4
36	3406130	Seal, Rear Drum
37	695587	Drum Assembly
38	692490	Baffle, Drum (2)
39	3976434	Bracket, Support
40	90296	Clip
41	3403636	Baffle, Drum (1)
42	339956	Seal

FOR ORDERING INFORMATION REFER TO PARTS PRICE LIST

OPTIONAL PARTS (NOT INCLUDED)

For Models: WED5900SW0, WED5900SB0
(White/Grey) (BLACK)

Illus.	Part	
No.	No.	DESCRIPTION

ACCESSORY PARTS

279948	Kit, Dryer Repair
3406839	Dry Rack
8522199	Kit, Dryer Vent Testing

PAINT, TOUCH-UP (1/2oz.)

72017	White
4392899	Biscuit
72032	Black

PAINT, PRESSURIZED SPRAY (12 oz.)

350930	White
4392901	Biscuit
786020	Black
350938	Primer, Gray

PAINT, BULK (1 qt.)

799344	White (Uncut)
4392900	Biscuit(Uncut)
786032	Black

FOR ORDERING INFORMATION REFER TO PARTS PRICE LIST