

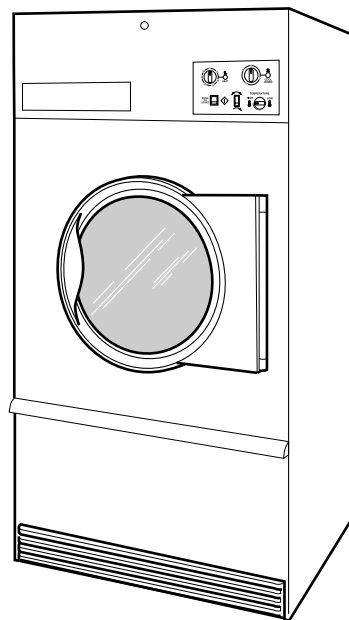
Drying Tumblers

50 Pound Capacity

75 Pound Capacity

Refer to Page 3 for Model Identification

CE




TMB795C

Keep These Instructions for Future Reference.

(If this machine changes ownership, this manual must accompany machine.)

Installation must conform with local codes.

	WARNING
<p>FOR YOUR SAFETY, the information in this manual must be followed to minimize the risk of fire or explosion or to prevent property damage, personal injury or death.</p> <p style="text-align: right;">W033</p> <ul style="list-style-type: none"> • Do not store or use gasoline or other flammable vapors and liquids in the vicinity of this or any other appliance. • WHAT TO DO IF YOU SMELL GAS: <ul style="list-style-type: none"> – Do not try to light any appliance. – Do not touch any electrical switch; do not use any phone in your building. – Clear the room, building or area of all occupants. – Immediately call your gas supplier from a neighbor’s phone. Follow the gas supplier’s instructions. – If you cannot reach your gas supplier, call the fire department. • Installation and service must be performed by a qualified installer, service agency or the gas supplier. <p style="text-align: right;">W052</p>	
<p>FOR YOUR SAFETY</p> <p>Do not store or use gasoline or other flammable vapors and liquids in the vicinity of this or any other appliance.</p> <p style="text-align: right;">W053</p>	

IMPORTANT: Information must be obtained from a local gas supplier on instructions to be followed if the user smells gas. These instructions must be posted in a prominent location. Step-by-step instructions of the above safety information must be posted in a prominent location near the tumbler for customer use.


	WARNING
<p>To reduce the risk of fire, electric shock, serious injury or death to persons when using the tumbler unit, follow these basic precautions:</p> <ul style="list-style-type: none"> • Read all instructions before using tumbler. • DO NOT tamper with controls. • DO NOT bypass any safety devices. • Always follow the fabric care instructions supplied by the garment manufacturer. • Remove laundry immediately after the tumbler stops. • DO NOT reach into tumbler if cylinder is revolving. <p>To avoid creating any flammable vapors which may explode, ignite or cause corrosive damage, DO NOT dry the following materials:</p> <ul style="list-style-type: none"> • Articles that have been cleaned in, soaked in, washed in or spotted with gasoline, dry-cleaning solvents or other flammable/explosive substances. • Plastics or articles containing foam rubber or similarly textured rubberlike materials. • Articles that have traces of flammable substances like cooking oil, machine oil, flammable chemicals or thinner. • Articles containing wax or cleaning chemicals. • Fiberglass curtains or draperies (unless the label says it can be done). <p style="text-align: right;">W440R1</p>	

Table of Contents

Introduction	3
Model Identification	3
Wiring Diagram	3
Serial Plate Location.....	3
Safety Information	4
Important Safety Instructions	4
Installation	6
Specifications and Dimensions.....	6
Cabinet Dimensions	7
Horizontal Exhaust Outlet Locations.....	8
Gas Connection Locations	9
Electrical Connection Locations	10
Steam Connection Locations	11
Position and Level the Tumbler.....	12
Fire Suppression System.....	13
Water Requirements.....	13
Water Connections	13
Electrical Requirements	14
Auxiliary Alarm	14
Gas Requirements.....	14
Natural Gas and Liquefied Petroleum.....	14
European Gas	14
General Information	15
Exhaust Requirements	17
Make-Up Air	17
Venting.....	17
Electrical Requirements.....	18
Grounding Instructions	18
Steam Requirements	19
Thermal Oil Prep	19
Operation	21
Emergency Stop Button.....	21
Operating Instructions	21
Step 1: Clean Lint Screen/Compartment	21
Step 2: Load Laundry.....	21
Step 3: Determine Control Type and Temperature Setting	21
Step 4: Remove Laundry	21
Control Instructions	22
Electromechanical Coin Control.....	22
Manual Timer Control	23
Dual Digital Timer Control.....	24
Electronic OPL Micro Control.....	25
Single Drop Control	27
MDC Coin and Card Control.....	27
Ignition Control Operation	28
Disposal of Unit	29

© Published by permission of the copyright owner.

All rights reserved. No part of the contents of this book may be reproduced or transmitted in any form or by any means without the expressed written consent of the publisher.

Introduction

Model Identification

Information in this manual is applicable to these models.

	Gas		Steam/Thermal Oil		Electric
50 Pound	GU050L	LU050N	GU050S	LU050T	GU050E
	GU050N	PU050L	GU050T	PU050S	HU050E
	HU050L	PU050N	HU050S	PU050T	KU050E
	HU050N	SU050L	HU050T	SU050S	LU050E
	KU050L	SU050N	KU050S	SU050T	PU050E
	KU050N	UU050L	KU050T	UU050S	SU050E
	LU050L	UU050N	LU050S	UU050T	UU050E
75 Pound	GU075L	LU075N	GU075S	PU075S	GU075E
	GU075N	PU075L	GU075T	PU075T	HU075E
	HU075L	PU075N	HU075S	SU075S	KU075E
	HU075N	SU075L	HU075T	SU075T	LU075E
	KU075L	SU075N	KU075S	UU075S	PU075E
	KU075N	UU075L	KU075T	UU075T	SU075E
	LU075L	UU075N	LU075S	YU075S	UU075E
			LU075T	YU075T	YU075E

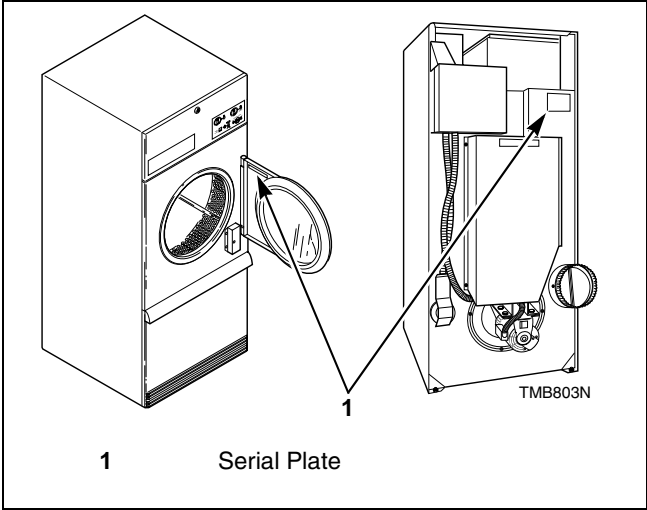
Includes models with control suffixes:

- BC – basic electronic, coin
- BG – basic electronic, OPL mode
- BL – basic electronic, central pay
- BU – basic electronic, prep card - open
- BX – basic electronic, prep for coin
- BY – basic electronic, prep for card
- CD – rotary coin drop
- CX – prep for coin
- CY – prep for card
- MT – manual timer
- OM – OPL Micro
- QT – dual digital timer
- RM – reversing OPL Micro
- RQ – reversing dual digital timer
- RT – reversing manual timer
- SD – single drop
- SX – single drop, prep for coin

Wiring Diagram

The wiring diagram is located in the junction or contactor box.


Serial Plate Location



Safety Information


Save These Instructions

Important Safety Instructions

	WARNING
<p>Hazardous Voltage. Can cause shock, burn or cause death. Allow machine power to remain off for two minutes prior to working in and around AC inverter drive.</p>	
W359	

1. Read all instructions before using the tumbler.
2. Refer to the ***GROUNDING INSTRUCTIONS*** for the proper grounding of the tumbler.
3. Do not dry articles that have been previously cleaned in, washed in, soaked in, or spotted with gasoline, dry-cleaning solvents, or other flammable or explosive substances, as they give off vapors that could ignite or explode.
4. Do not allow children to play on or in the tumbler. This appliance is not intended for use by young children or infirm persons without supervision. Young children should be supervised to ensure that they do not play with the appliance.
5. Before the tumbler is removed from service or discarded, remove the door to the drying compartment and the door to the lint compartment.
6. Do not reach into the tumbler if the cylinder is revolving.
7. Do not install or store the tumbler where it will be exposed to water and/or weather.
8. Do not tamper with the controls.
9. Do not repair or replace any part of the tumbler, or attempt any servicing unless specifically recommended in the user-maintenance instructions or in published user-repair instructions that you understand and have the skills to carry out.
10. Do not use fabric softeners or products to eliminate static unless recommended by the manufacturer of the fabric softener or product.
11. To reduce the risk of fire, **DO NOT DRY** plastics or articles containing foam rubber or similarly textured rubberlike materials.
12. Always clean the lint filter daily.
13. Keep area around the exhaust opening and adjacent surrounding area free from the accumulation of lint, dust and dirt.
14. The interior of the tumbler and the exhaust duct should be cleaned periodically by qualified service personnel.
15. If not installed, operated and maintained in accordance with the manufacturer's instructions or if there is damage to or mishandling of this product's components, use of this product could expose you to substances in the fuel or from fuel combustion which can cause death or serious illness and which are known to the State of California to cause cancer, birth defects or other reproductive harm.
16. Tumbler will not operate with the loading door open. **DO NOT** bypass the door safety switch to permit the tumbler to operate with the door open. The tumbler will stop tumbling when the door is opened. Do not use the tumbler if it does not stop tumbling when the door is opened or starts tumbling without pressing or turning the START mechanism. Remove the tumbler from use and call for service.
17. Tumbler will not operate with lint panel open. **DO NOT** bypass lint panel safety switch to permit the tumbler to operate with the lint panel open.
18. Do not put articles soiled with vegetable or cooking oil in the tumbler, as these oils may not be removed during washing. Due to the remaining oil, the fabric may catch on fire by itself.
19. To reduce the risk of fire, **DO NOT** put clothes which have traces of any flammable substances such as machine oil, flammable chemicals, thinner, etc. or anything containing wax or chemicals such as in mops and cleaning cloths, or anything dry-cleaned at home with dry-cleaning solvent in the tumbler.
20. Use the tumbler only for its intended purpose, drying fabrics.
21. **ALWAYS** disconnect and lockout the electrical power to the tumbler before servicing. Disconnect power by shutting off appropriate breaker or fuse.

22. Install this tumbler according to the *INSTALLATION INSTRUCTIONS*. All connections for electrical power, grounding, and gas supply must comply with local codes and be made by licensed personnel when required.
23. Remove laundry immediately after tumbler stops.
24. Always read and follow manufacturer's instructions on packages of laundry and cleaning aids. Heed all warnings or precautions. To reduce the risk of poisoning or chemical burns, keep them out of reach of children at all times (preferably in a locked cabinet).
25. Do not tumble fiberglass curtains and draperies unless the label says it can be done. If they are dried, wipe out the cylinder with a damp cloth to remove particles of fiberglass.
26. Always follow the fabric care instructions supplied by the garment manufacturer.
27. Never operate the tumbler with any guards and/or panels removed.
28. **DO NOT** operate the tumbler if it is smoking, grinding, has missing or broken parts.
29. **DO NOT** bypass any safety devices.
30. Solvent vapors from dry-cleaning machines create acids when drawn through the heater of the drying unit. These acids are corrosive to the tumbler as well as to the laundry load being dried. Be sure make-up air is free of solvent vapors.
31. Failure to install, maintain, and/or operate this machine according to the manufacturer's instructions may result in conditions which can produce bodily injury and/or property damage.

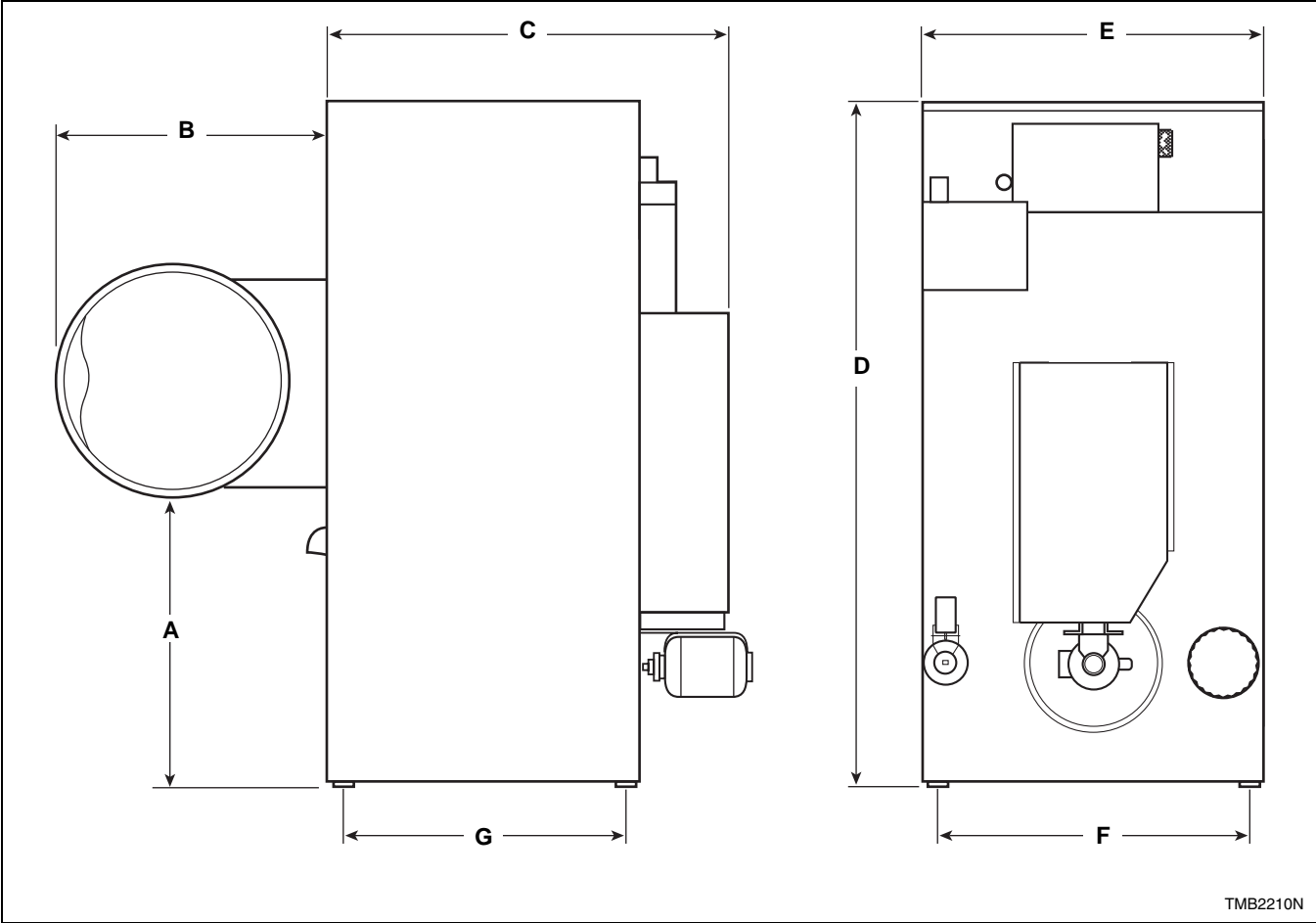
	WARNING
To reduce the risk of serious injury, install lockable door(s) to prevent public access to rear of tumblers.	
<small>W055</small>	

Installation

Specifications and Dimensions

Specifications	50 Pound	75 Pound
Noise level measured during operation at operator position of 1 meter (3.3 feet) in front of machine and 1.6 meters (5.2 feet) from floor.	63 dBA	69 dBA
Net Weight (approximate): kg (lbs.)	247 (545)	279 (615)
Cylinder Size: mm (in.)	940 x 762 (37 x 30)	940 x 914 (37 x 36)
Cylinder Capacity (dry weight): kg (lbs.)	22.7 (50)	34 (75)
Air Outlet Diameter: mm (in.)	203 (8)	203 (8)
Maximum Static Back Pressure: mbar (inches W.C.)	1.3 (0.5)	1.3 (0.5)
Maximum Airflow: l/sec. (C.F.M.)	354 (750)	Gas/Steam 50 Hz 354 (750) Gas/Steam 60 Hz 434 (920) Electric 354 (750)
Motor Horsepower: Nonreversing Reversing Fan Cylinder	1/2 1/3 1/3	3/4 1/3 1/3
Gas Models		
Gas Connection	1/2 in. NPT	1/2 in. NPT
Gas Burner Rating: Mj/hr (Btu/hr)	126.6 (120,000)	174.1 (165,000)
Electric Models		
Heating Element Rating: Kilowatts (kW)	21 kW (240 V/50 Hertz) 30 kW (other voltages)	30 kW
Steam Models		
Steam Connection	3/4 in. NPT	3/4 in. NPT
Steam Coil Rating: Boiler Horsepower (Btu/hr)	5.1 (177,500)	6.1 (210,300)

Cabinet Dimensions



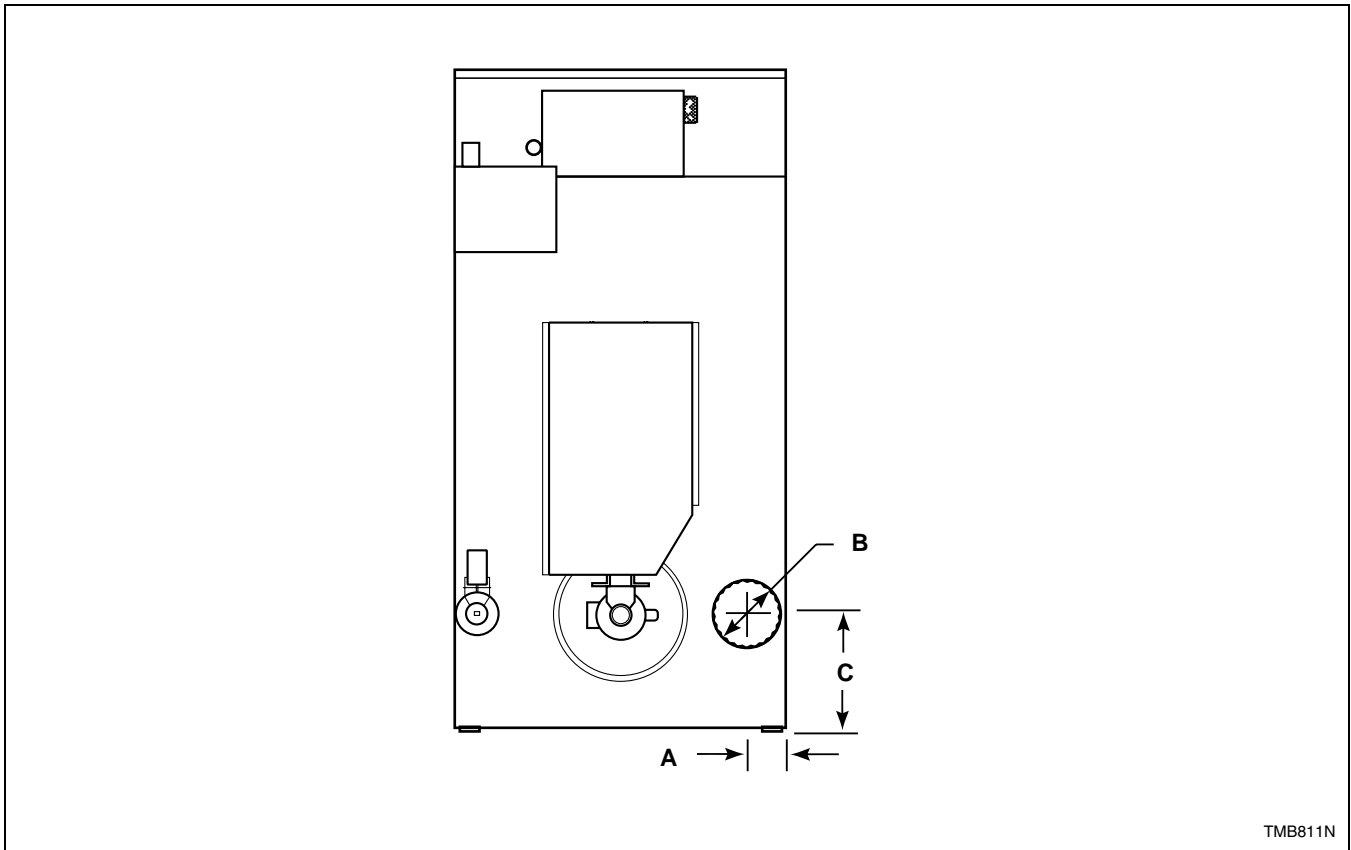
TMB2210N

Models	A		B		C	D	E	F	G
	*	**	*	**					
050 Gas and Electric	781 mm (30.75 in.)	730 mm (28.75 in.)	717 mm (28.25 in.)	860 mm (33.87 in.)	1194 mm (47 in.)	1946 mm (76.625 in.)	981 mm (38.625 in.)	838 mm (33 in.)	749 mm (29.5 in.)
050 Steam	781 mm (30.75 in.)	730 mm (28.75 in.)	717 mm (28.25 in.)	860 mm (33.87 in.)	1194 mm (47 in.)	2032 mm (80 in.)	981 mm (38.625 in.)	838 mm (33 in.)	749 mm (29.5 in.)
075 Gas and Electric	781 mm (30.75 in.)	730 mm (28.75 in.)	717 mm (28.25 in.)	860 mm (33.87 in.)	1346 mm (53 in.)	1946 mm (76.625 in.)	981 mm (38.625 in.)	838 mm (33 in.)	902 mm (35.5 in.)
075 Steam	781 mm (30.75 in.)	730 mm (28.75 in.)	717 mm (28.25 in.)	860 mm (33.87 in.)	1346 mm (53 in.)	2032 mm (80 in.)	981 mm (38.625 in.)	838 mm (33 in.)	902 mm (35.5 in.)

* H, S and U models prior to Serial No 0308001307 and all other models.

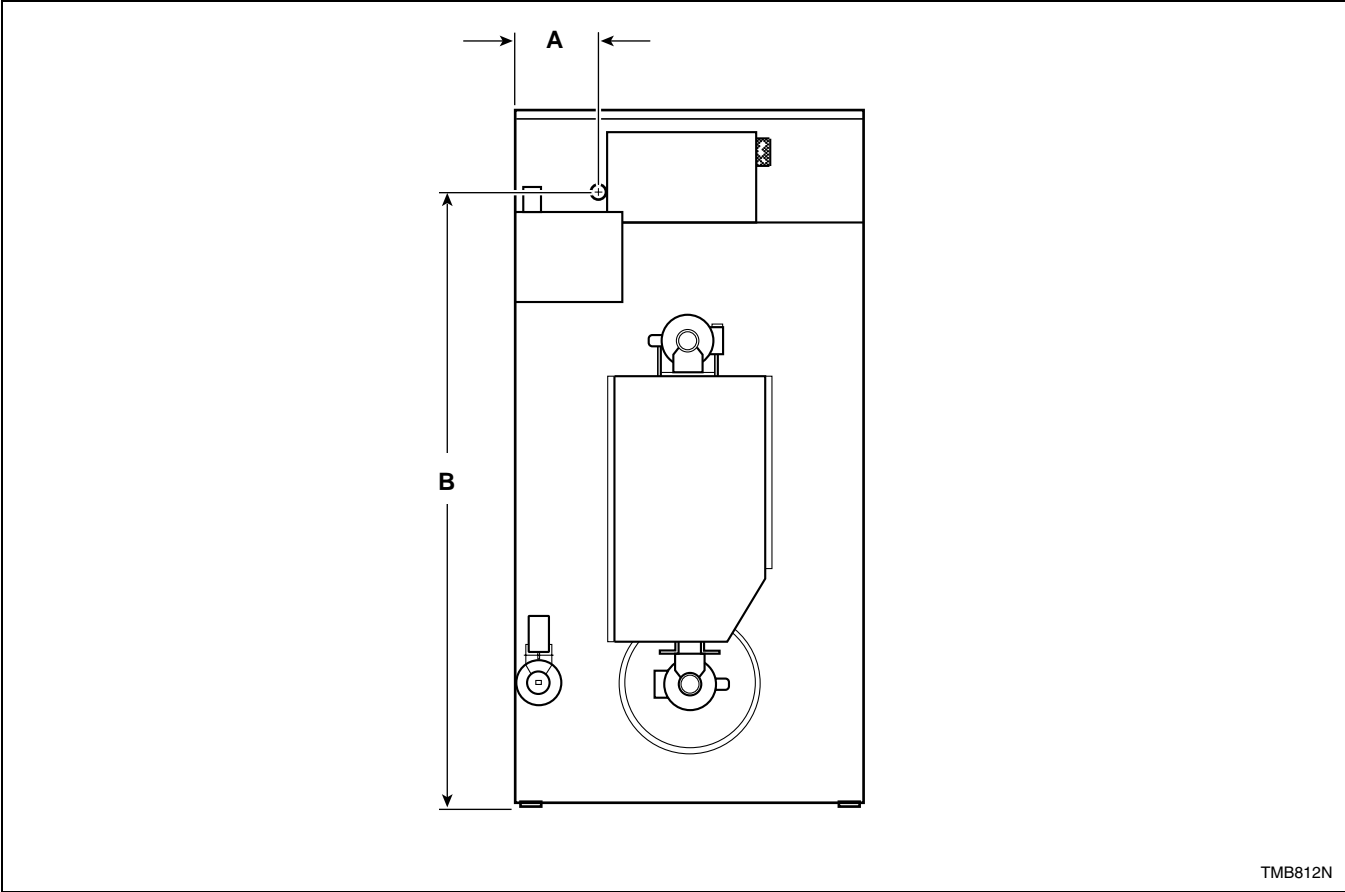
** H, S and U models after Serial No. 0308001307.

Horizontal Exhaust Outlet Locations



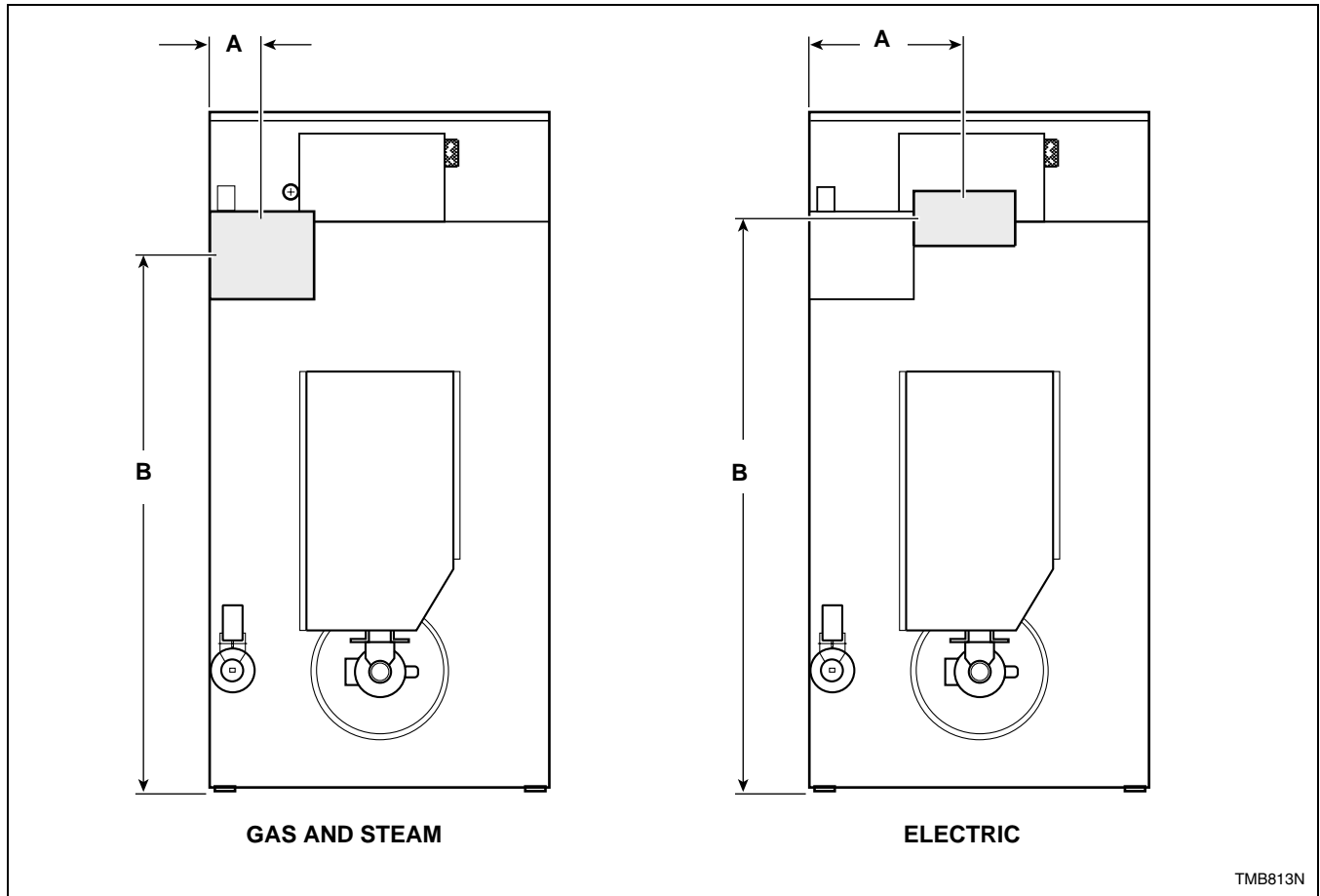
Models	A	B	C
050/075	137 mm (5.375 in.)	203 mm (8 in.)	340 mm (13.375 in.)

Gas Connection Locations



Models	Diameter	A	B
050	1/2 in. NPT	394 mm (15.5 in.)	1670 mm (65.75 in.)
075	1/2 in. NPT	400 mm (15.75 in.)	1670 mm (65.75 in.)

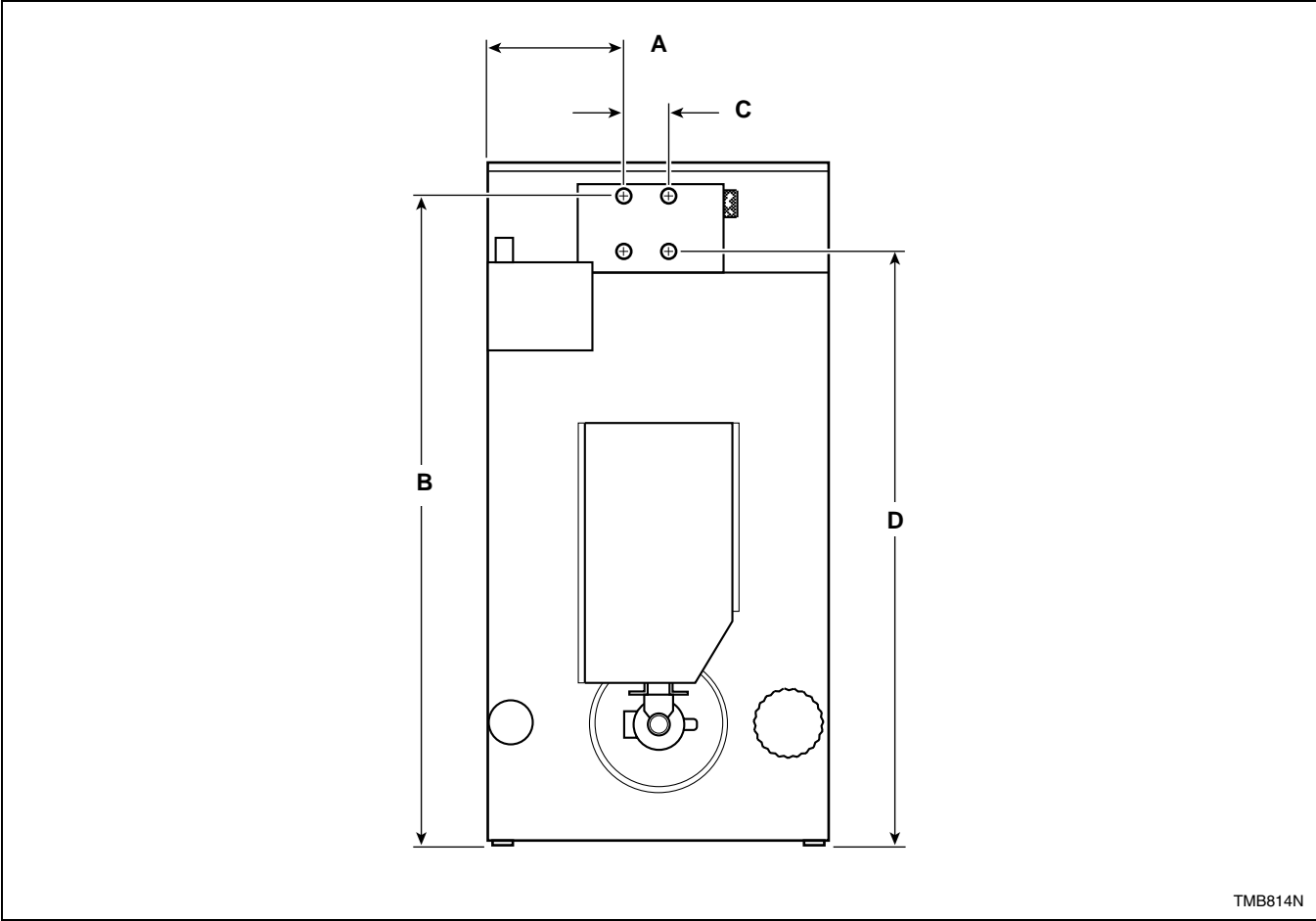
Electrical Connection Locations



Models	A	B
Gas and Steam	241 mm (9.5 in.)	1613 mm (63.5 in.)
Electric	483 mm (19 in.)	1626 mm (64 in.)

NOTE: These figures are approximate dimensions only.

Steam Connection Locations



TMB814N

Models	Diameter	A	B	C	D
050/075	3/4 in. NPT	387 mm (15.25 in.)	1848 mm (72.75 in.)	190 mm (7.5 in.)	1645 mm (64.75 in.)

Position and Level the Tumbler

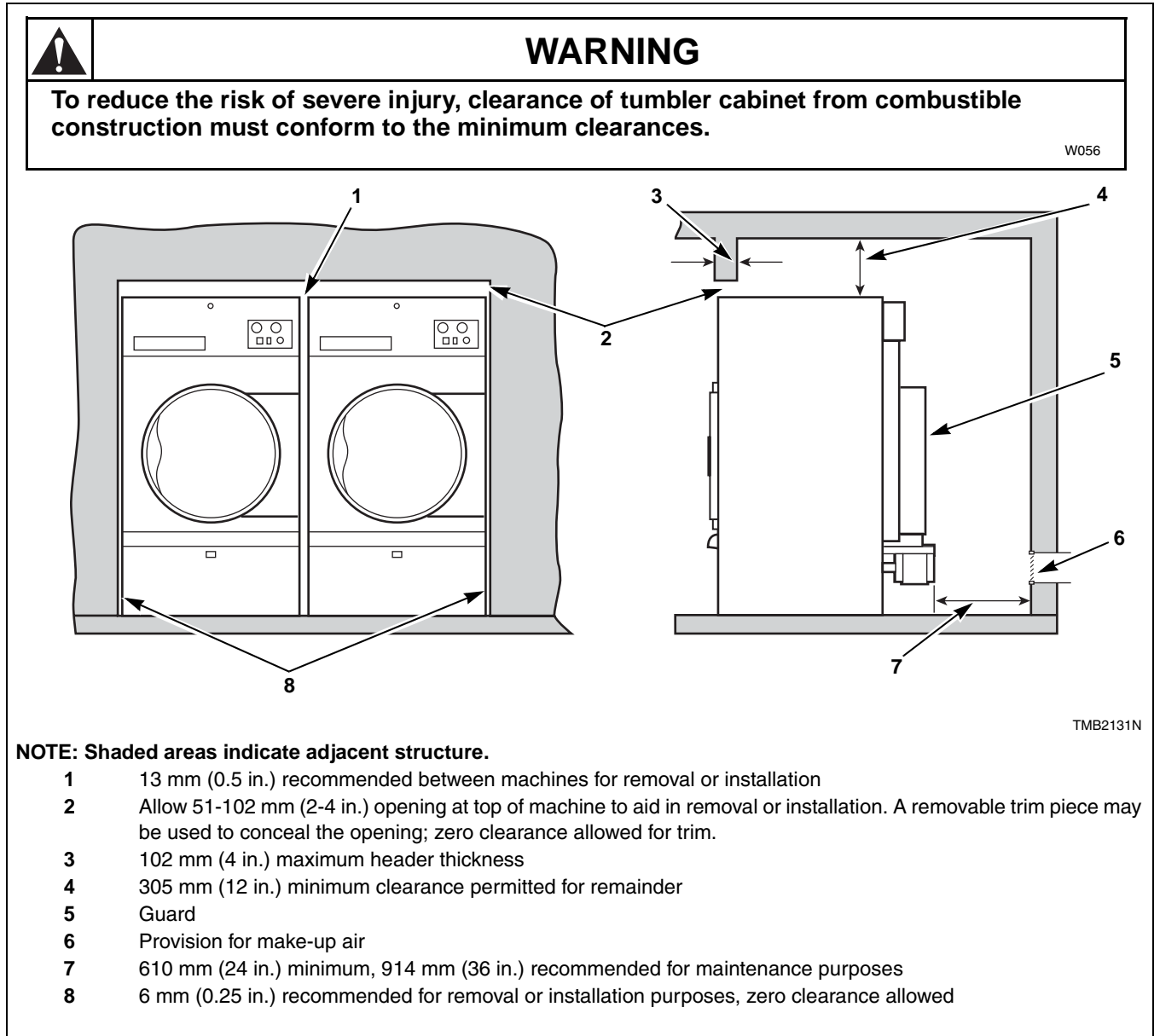


Figure 1

NOTE: This manual is only a supplement. Refer to installation/operation manual for full instructions.

Fire Suppression System

G, H, K, S and U Models Only

Water Requirements

IMPORTANT: Water must be supplied to the fire suppression system, or the fire suppression system will not operate as intended.

Connection point to the electric water solenoid valve is a 19 mm (3/4 inch) hose. The fire suppression system equipped tumbler must be supplied with a minimum water pipe size of 12,7 mm (1/2 inch) and be provided with a minimum of 138 kPa (20 psi) and a maximum of 827 kPa (120 psi) of pressure at all times. Flowrate must be no less than, but approximately 57 liters (15 gallons) per minute.

NOTE: Water pressure under 138 kPa (20 pounds per square inch) will cause low flow and water leakage at water solenoid valve.

IMPORTANT: Temperature of the water supply must be kept between 4,4° and 48,9°C (40° and 120°F). If water in the supply line or water solenoid valve freezes, the fire suppression system will not operate.

IMPORTANT: If temperature sensors inside the tumbler register a temperature below 4,4°C (40°F), the fire suppression system control will lock out. This feature protects against operation of the tumbler with a possible frozen water supply. Only when the temperature sensors register a temperature above 4,4°C (40°F) will the machine reset for operation.

IMPORTANT: Flexible supply line/coupling must be used. Solenoid valve failure due to hard plumbing connections will void the warranty. It is recommended that a filter or strainer be installed in the water supply line.

Water Connections

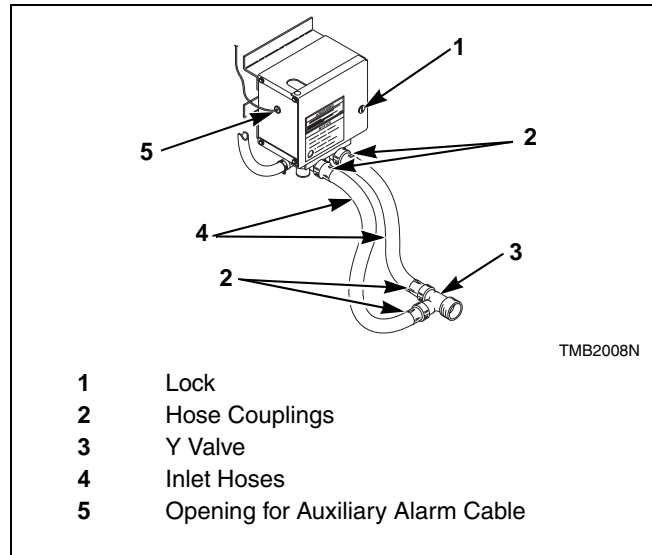


Figure 2


IMPORTANT: Thread hose couplings onto valve connections finger tight, then turn 1/4 turn with pliers. Do not cross thread or overtighten couplings.

IMPORTANT: Replace all hoses every five years.

NOTE: Longer inlet hoses are available (as optional equipment at extra cost) if the hoses supplied with the tumbler are not long enough for installation. Order hoses as follows:

- Part No. 20617 Inlet hose 2.44 m (8 feet)
- Part No. 20618 Inlet hose 3.05 m (10 feet)

Electrical Requirements

	WARNING
<p>Electrical power must be provided to tumbler at all times. The fire suppression system will be inoperative if the main electrical power supply is disconnected.</p>	
<small>W0690</small>	

No independent external power source or supply connection is necessary. Power to operate the 24 Volt fire suppression system is from the rear junction/contact box.


Auxiliary Alarm

During tumbler installation, you have the option to connect a separate alarm system to this auxiliary output. Use of the auxiliary output is not required for the fire suppression system to operate, but may be used for additional protection.

NOTE: The auxiliary output is activated during fire suppression system maintenance test sequence. Consider this fact prior to your system test every three months. (Example: If the external system uses the auxiliary output to call the fire department, inform the fire department before and after the fire suppression system maintenance test.)

Gas Requirements

Natural Gas and Liquefied Petroleum


	WARNING
<p>To reduce the risk of fire or explosion, DO NOT CONNECT THE GAS LINE TO THE TUMBLER IF THE GAS SERVICE IS NOT THE SAME AS THAT SPECIFIED ON THE TUMBLER SERIAL PLATE! It will first be necessary to convert the gas burner orifice and gas valve. Appropriate conversion kits are available.</p>	
<small>W060</small>	

IMPORTANT: Any product revisions or conversions must be made by the Manufacturer's Authorized Dealers, Distributors, or local service personnel.

IMPORTANT: The tumbler must be isolated from the gas supply piping system by closing its individual manual shut-off valve during any pressure testing of the gas supply piping system at test pressure equal to or less than 3.45 kPa, 34.5 mbar (0.5 psi).


IMPORTANT: The tumbler and its manually operated appliance gas valve must be disconnected from the gas supply piping system during any pressure testing of that system at test pressures in excess of 3.45 kPa, 34.5 mbar (0.5 psi).

IMPORTANT: The installation must comply with local codes.

	WARNING
<p>To reduce the risk of fire or explosion, if the tumbler is to be connected to Liquefied Petroleum (L.P.) gas, a vent to the outdoors must be provided in the room where the tumbler is installed.</p>	
<small>W062</small>	

NOTE: This manual is only a supplement. Refer to installation/operation manual for full instructions.

European Gas

	WARNING
<p>To reduce the risk of electric shock, fire, explosion, serious injury or death:</p> <ul style="list-style-type: none">• Disconnect electric power to the tumbler before servicing.• Close gas shut-off valve to gas tumbler before servicing.• Close steam valve to steam tumbler before servicing.• Never start the tumbler with any guards/panels removed.• Whenever ground wires are removed during servicing, these ground wires must be reconnected to ensure that the tumbler is properly grounded.	
<small>W002</small>	

General Information

This information is to be used when installing gas tumblers in countries, and/or on gases, different than the machine's factory configuration. Tumblers are supplied from the factory for operation on Natural Gas or L.P. Gas in the countries of GB/IE/PT/ES/IT/GR/LU/CH. To install machines in any other country, or on any other gas, requires some level of modification.

Models are built in two different configurations:

- **Natural Gas** – regulated/governor
- **Liquefied Petroleum (L.P.) Gas** – not regulated/ no governor

Machines configured for Natural Gas (regulator/governor) may be converted to L.P. Gas (not regulated/ no governor) with block-open kit, Part No. M400763.

Serial plates are configured for GB/IE/PT/ES/IT/GR/LU/CH.

Country Code	Gas Type	Group	Supply Pressure, mbar	Burner Orifice Pressure, mbar	Capacity/ Model	Diameter, mm	Quantity	Burner Orifice Part No.
DK/NO/SE/FI/CZ/EE/LV/LT/SI/SK	Natural Gas	H	20	8.9	050 075	3.7 3.6	2 3	M401000 M401014
	L.P. Gas	B/P	30	No Governor	050 075	2.1 2.0	2 3	M401003 M400999
DE**	Natural Gas	E	20	8.9	050 075	3.7 3.6	2 3	M401000 M401014
		LL	25	12.6	050 075	3.7 3.6	2 3	M401000 M401014
	L.P. Gas	B/P	30	No Governor	050 075	2.1 2.0	2 3	M401003 M400999
		B/P	50	28.5	050 075	2.1 2.0	2 3	M401003 M400999
NL	Natural Gas	L	25	12.6	050 075	3.7 3.6	2 3	M401000 M401014
	L.P. Gas	B/P	30	No Governor	050 075	2.1 2.0	2 3	M401003 M400999
BE/FR*	Natural Gas	E+	20/25	No Governor	050 075	3.0 2.9	2 3	M401017 N/A
	L.P. Gas	+	28/37	No Governor	050 075	2.1 2.0	2 3	M401003 M400999
GB/IE/PT/ES/IT/GR/LU/CH	Natural Gas	H	20	8.9	050 075	3.7 3.6	2 3	M401000 M401014
	L.P. Gas	+	28/37	No Governor	050 075	2.1 2.0	2 3	M401003 M400999
AT**	Natural Gas	H	20	8.9	050 075	3.7 3.6	2 3	M401000 M401014
	L.P. Gas	B/P	50	28.5	050 075	2.1 2.0	2 3	M401003 M400999
CY/IS/MT	L.P. Gas	B/P	30	No Governor	050 075	2.1 2.0	2 3	M401003 M400999

Table 1

Installation/Operation Supplement

Country Code	Gas Type	Group	Supply Pressure, mbar	Burner Orifice Pressure, mbar	Capacity/ Model	Diameter, mm	Quantity	Burner Orifice Part No.
HU	Natural Gas	H	25	8.9	050 075	3.7 3.6	2 3	M401000 M401014
	L.P. Gas	B/P	30	No Governor	050 075	2.1 2.0	2 3	M401003 M400999
PL	Natural Gas	H	20	8.9	050 075	3.7 3.6	2 3	M401000 M401014
	L.P. Gas	3P	37	No Governor	050 075	2.1 2.0	2 3	M401003 M400999


Table 1

Burner orifice information at 0-600 meters (0-2000 feet) altitude.

N/A = Part no longer available.

- * For Natural Gas, Group E+ applications, convert using L.P. Gas model and replace burner orifices.
- ** For L.P. Gas, Group B/P with 50 mbar supply pressure, convert using Natural Gas model, M411334 regulator spring kit and burner orifices.

Exhaust Requirements

	WARNING
<p>A drying tumbler produces combustible lint. To reduce the risk of fire, the tumbler must be exhausted to the outdoors.</p> <p style="text-align: right;">W057</p>	
<p>To reduce the risk of fire and accumulation of combustible gases, DO NOT exhaust tumbler air into a window well, gas vent, chimney or enclosed, unventilated area such as an attic wall, ceiling, crawl space under a building, or concealed space of a building.</p> <p style="text-align: right;">W059</p>	

Make-Up Air

IMPORTANT: Do not obstruct the flow of combustion and ventilation air.

A tumbler is forced air exhausted and requires provisions for make-up air to replace the air exhausted by the tumbler.

Required Make-Up Air Opening (to the outside) for Each Tumbler	
Model	Opening
050	928 cm ² (144 in ²)
075	1258 cm ² (195 in ²)

Make-up air openings with louvers will restrict airflow. The opening must be increased to compensate for area taken up by louvers.

If it is necessary to duct make-up air to the tumbler(s), increase the area of the ductwork by 25% to compensate for any restriction in air movement.

Venting

Proper sized exhaust ducts are essential for proper operation. All elbows should be sweep type. Exhaust ducts must be assembled so the interior surfaces are smooth to prevent the accumulation of lint.

DO NOT use plastic or thin foil flexible ducts. Use exhaust ducts made of sheet metal or other noncombustible material. Use duct tape or pop-rivets on all seams and joints.


Verify that old ducts are thoroughly cleaned out before installing new tumbler.

NOTE: The ducts must be equivalent in strength and corrosion resistance to ducts made of galvanized sheet steel not less than 0.495 mm (0.0195 inches) thick.

IMPORTANT: For best performance, provide an individual exhaust duct for each tumbler. Do not install a hot water heater in a room containing tumblers. It is better to have the water heater in a separate room with a separate air inlet.

NOTE: This manual is only a supplement. Refer to installation/operation manual for full instructions.

Electrical Requirements


	WARNING
<p>To reduce the risk of electric shock, fire, explosion, serious injury or death:</p> <ul style="list-style-type: none">• Disconnect electric power to the tumbler before servicing.• Close gas shut-off valve to gas tumbler before servicing.• Close steam valve to steam tumbler before servicing.• Never start the tumbler with any guards/panels removed.• Whenever ground wires are removed during servicing, these ground wires must be reconnected to ensure that the tumbler is properly grounded. <p style="text-align: right;">W002</p>	
<p>To reduce the risk of fire and electric shock, check with a qualified serviceman for proper grounding procedures. Improper connection of the equipment grounding conductor may result in a risk of electric shock.</p> <p style="text-align: right;">W068</p>	
<p>To reduce the risk of fire and electric shock, if electrical supply is coming from a three phase service, DO NOT connect a “High Leg” or “Stinger Leg” to a single phase machine. On a three phase machine, if there is a “High Leg” or “Stinger Leg” it should be connected to L3.</p> <p style="text-align: right;">W069</p>	


Grounding Instructions

NOTE: To ensure protection against shock, this tumbler MUST be electrically grounded in accordance with the local codes or, in the absence of local codes, with the latest edition of the National Electrical Code ANSI/NFPA No. 70.

In the event of malfunction or breakdown, grounding will reduce the risk of electric shock by providing a path of least resistance for electric current. This tumbler must be connected to a grounded metal, permanent wiring system; or an equipment grounding conductor must be run with the circuit conductors and connected to the appropriate ground location.

- Metal conduit and/or BX cable is not considered ground.
- Connecting the Neutral from the electrical service box to the tumbler ground screw does not constitute a ground.
- A dedicated ground conduit (wire) must be connected between the electrical service box ground bar and the tumbler ground screw.

	WARNING
<p>To reduce the risk of electrical shock, de-energize the electrical circuit being connected to the tumbler before making any electrical connections. All electrical connections should be made by a qualified electrician. Never attempt to connect a live circuit.</p> <p style="text-align: right;">W409</p>	

	CAUTION
<p>Label all wires prior to disconnection when servicing controls. Wiring errors can cause improper and dangerous operation. Verify proper operation after servicing.</p> <p style="text-align: right;">W071</p>	

All OPL (non-vend) models are factory-equipped with an emergency stop button on the front panel.


NOTE: Activation of the emergency stop button stops all machine control circuit functions, but DOES NOT remove all electrical power from machine.

NOTE: This manual is only a supplement. Refer to installation/operation manual for full instructions.

Steam Requirements

Obtain specific steam service pipe sizes from the steam system supplier or a qualified steam fitter.

- Refer to *Figure 3* for proper steam pipe configurations.
- When tumbler is on the end of a line of equipment, extend header at least 1.2 meters (4 feet) beyond tumbler. Install shut-off valve, union, check valve and bypass trap at end of line. If the system has a gravity return to boiler, omit trap.
- Insulate steam supply and return lines for safety of operator and safety while servicing tumbler.
- Keep tumbler in good working condition. Repair or replace any worn or defective parts.

	WARNING
<p>All system components must have a 8.6 bar (125 psig) working pressure. Shut-off valves must be installed upstream of the steam solenoid valve and downstream of each steam trap so components can be isolated for maintenance or emergency purposes.</p> <p>All components (solenoid valve, traps) must be supported to minimize loads on the tumbler steam coil connections.</p>	
W701	

NOTE: This manual is only a supplement. Refer to installation/operation manual for full instructions.

Thermal Oil Prep

It is the responsibility of the customer to install appropriate coil and heating system for thermal oil prep models. Alliance Laundry Systems, LLC. is not responsible for the performance or safety of the customer installed thermal oil system. To ensure proper operation, refer to the *Specifications and Dimensions* section for the BTU input of equivalent steam models. Thermal oil systems that do not deliver appropriate BTUs will dry slower. For solenoid valve wiring connections, refer to the Wiring Diagram supplied with tumbler.

Installation/Operation Supplement

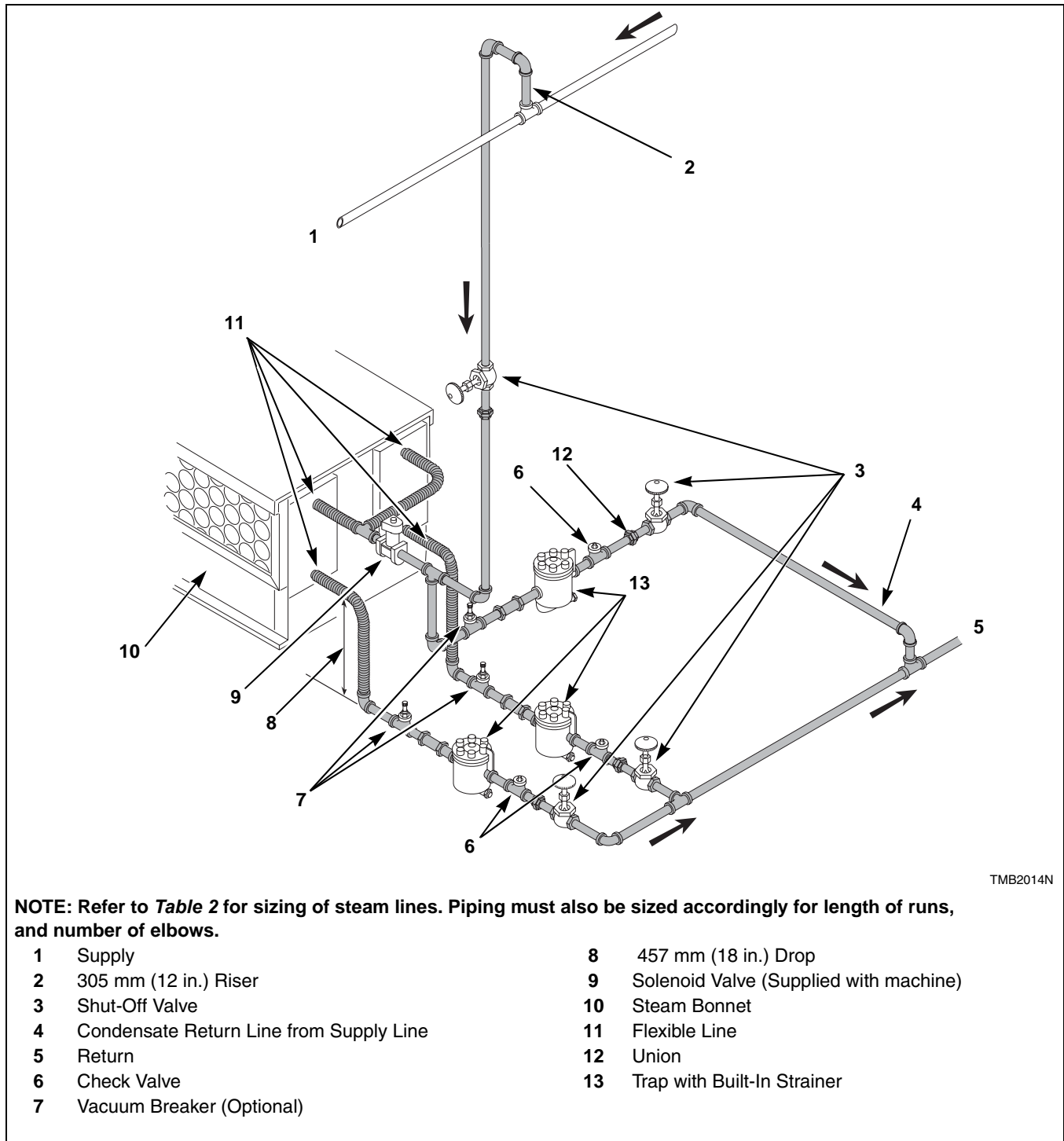


Figure 3

Steam Pressure bar (PSI)	Minimum Pipe Diameter	Steam Trap Size* (Pounds Condensate/Hour)
5.3 - 6.9 (80-100)	3/4 in. NPT	160

* Based on 100 PSI.

Table 2

Operation



WARNING

To reduce the risk of fire:

- DO NOT DRY articles containing foam rubber or similarly textured rubberlike materials.
- DO NOT DRY plastics, anything containing wax or chemicals such as mops and cleaning cloths, or anything dry-cleaned at home with a dry-cleaning solvent.
- DO NOT TUMBLE fiberglass curtains and draperies unless the label says it can be done. If they are dried, wipe out the cylinder with a damp cloth to remove particles of fiberglass.

W076

To reduce the risk of serious injury, allow cylinder to stop before cleaning lint screen.

W412

Emergency Stop Button

All OPL tumblers are factory-equipped with an emergency stop button located on the front panel. Refer to *Figure 4*.

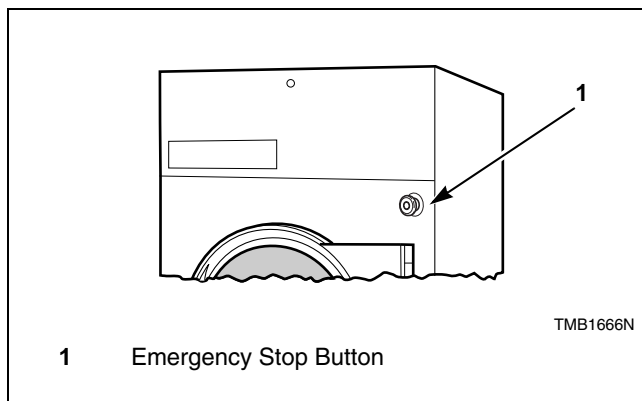


Figure 4

To operate emergency stop button:

- Press red emergency stop button to stop all action.
- To restart machine, pull red emergency stop button out and press START pad or button.

NOTE: Activation of the emergency stop button stops all machine control circuit functions but DOES NOT remove all electrical power from machine.

Operating Instructions

Step 1: Clean Lint Screen/Compartment

Remove any accumulated lint from the lint screen and compartment. Close panel tightly against tumbler frame and lock panel securely, if applicable.

IMPORTANT: Clean lint screen and lint compartment daily. Failure to clean the lint screen daily will result in higher than normal temperatures that may damage laundry.

Step 2: Load Laundry

Open loading door and load cylinder with laundry. DO NOT OVERLOAD.

NOTE: Overloading causes slow drying and wrinkling.

Close loading door. Tumbler will not operate with the door open.

Step 3: Determine Control Type and Temperature Setting

Refer to the various controls in the *Control Instructions* section, pages 22 - 27, determine appropriate control and then follow the instructions.

The type of fabric being dried will determine the temperature setting. Consult the fabric care label or fabric manufacturer to determine proper temperature setting.

IMPORTANT: Always follow the fabric care instructions supplied by the garment manufacturer.

Step 4: Remove Laundry

When the cycle is complete, open door and remove the laundry.

Control Instructions

Electromechanical Coin Control

CD, CX and CY Control Suffixes

1. Set the TEMPERATURE selector at HIGH or LOW, or anywhere between these settings.

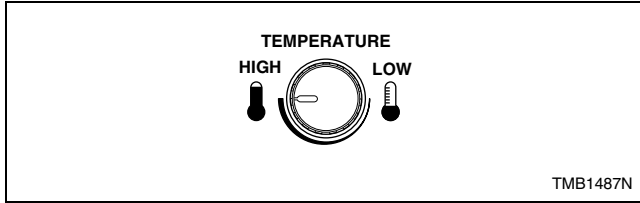


Figure 5

2. Coin Drop Models: Insert the coin(s) in the coin slot, turn the knob to the right and release it.

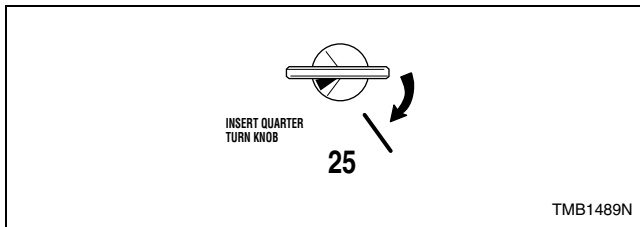


Figure 6

3. Press the PUSH TO START button and hold it for approximately three (3) seconds.

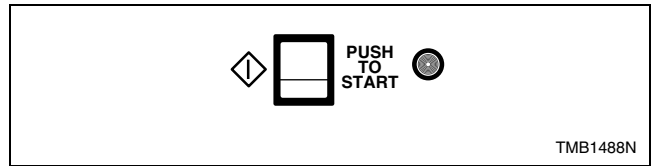


Figure 7

IMPORTANT: If the loading door or lint panel door is opened during the cycle, the heating system will shut off and the motor will stop. However, the timer will continue to run. To restart the cycle, both doors must be closed and the PUSH TO START button must be pressed.

4. When the cycle is complete, open door and remove the laundry.

Manual Timer Control

MT and RT Control Suffixes

1. Set the HEAT/DRYING timer for the number of minutes (from 0-60) desired.

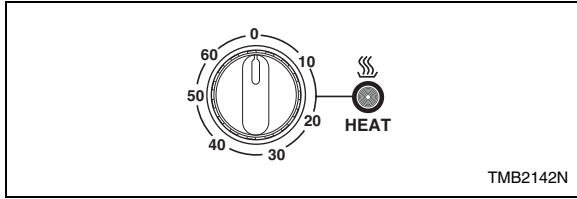


Figure 8

2. Set the COOL DOWN/COOLING timer for the number of minutes (from 0-15) desired.

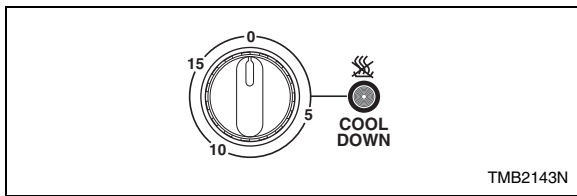


Figure 9

3. Set the TEMPERATURE selector at HIGH, LOW or anywhere between these settings.

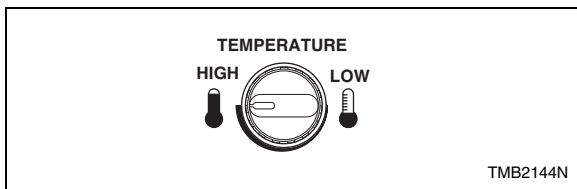


Figure 10

4. Select reversing or nonreversing cylinder rotation setting, if applicable.

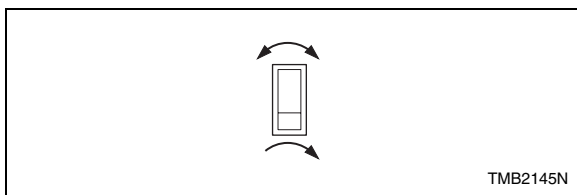


Figure 11

5. Press the PUSH TO START button in, and hold it in for approximately three (3) seconds. This starts the tumbler cycle.

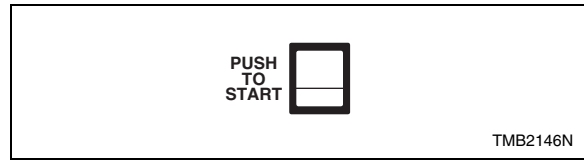


Figure 12

IMPORTANT: If the loading door or lint panel door is opened during the cycle, the heating system will shut off and the motor will stop. To restart the cycle, both doors must be closed and the PUSH TO START button must be pressed in.

6. When the cycle is complete, open door and remove the laundry.

Dual Digital Timer Control

QT and RQ Control Suffixes

1. Select HIGH, MED, LOW or NO HEAT by turning the temperature knob.

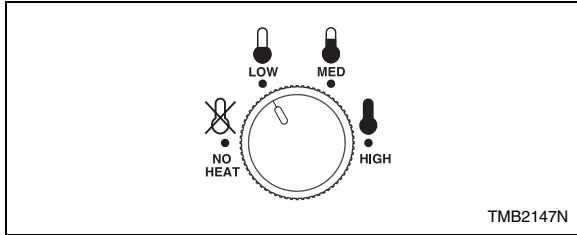


Figure 13

2. Set the HEAT TIME for the number of minutes (from 0 - 60) desired.

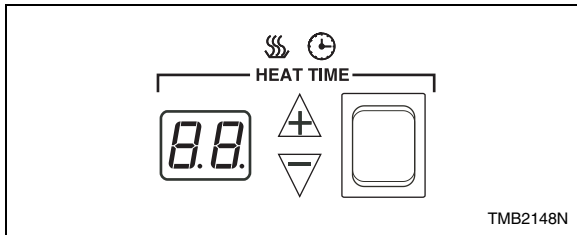


Figure 14

3. Set the COOL DOWN TIME for the number of minutes (from 0 - 15) desired.

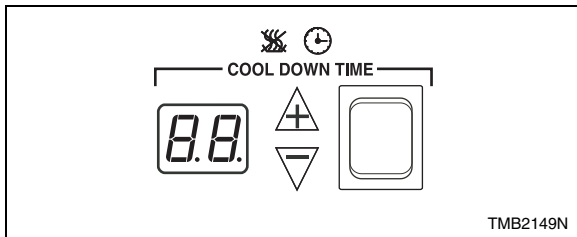


Figure 15

4. Select reversing or nonreversing cylinder rotation setting, if applicable.

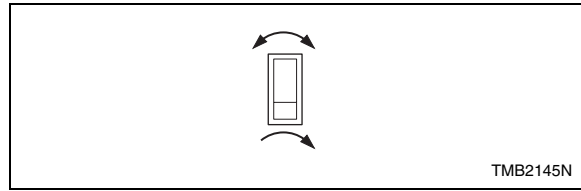


Figure 16

5. Press and release START button to start tumbler. Display will show minutes remaining before end of cycle.

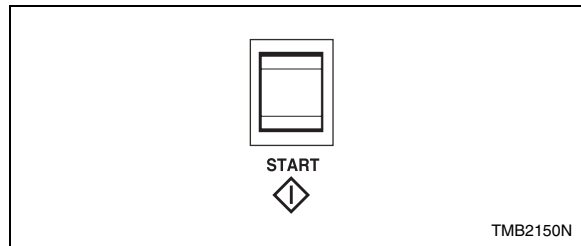


Figure 17

IMPORTANT: To stop the tumbler at any time during the cycle, OPEN DOOR. If the loading door or lint panel door is opened during the cycle, the heating system will shut off and the motor will stop. To restart the cycle, both doors must be closed and the START button must be pressed in.

6. When the cycle is complete, open door and remove the laundry.

Electronic OPL Micro Control

G Models Through Serial No. 0110002231 and H, L, P, S, U and Y Models with OM and RM Control Suffixes

1. To use an Automatic Cycle, press an ON/ SELECT pad. Select HIGH, MEDIUM, MED LOW, LOW or NO HEAT for items that should not be dried with heat. A light to the left of the selected pad lights up.

To use a Time Dry or Custom Cycle, refer to the *Programming Manual*.

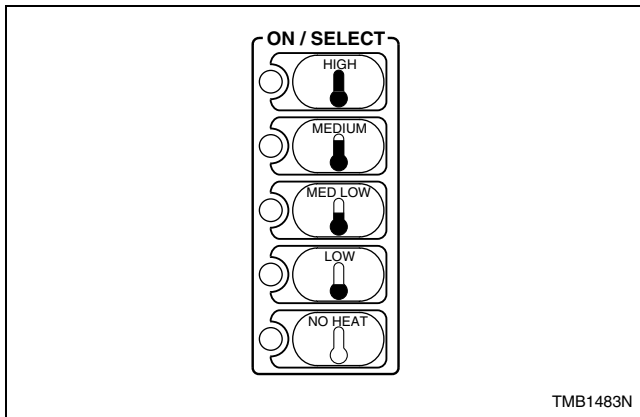


Figure 18

NOTE: Do not press directly on lights or the center of pad. For proper selection, press on pad slightly to the right of center. Refer to Figure 19.

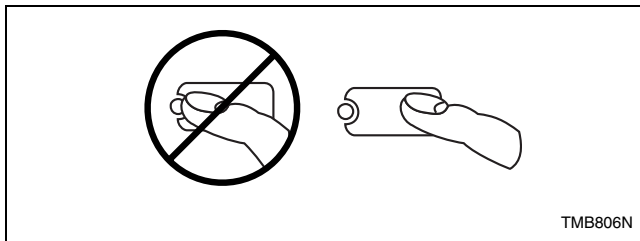


Figure 19

2. Select REVERSING or NONREVERSING cylinder rotation setting.

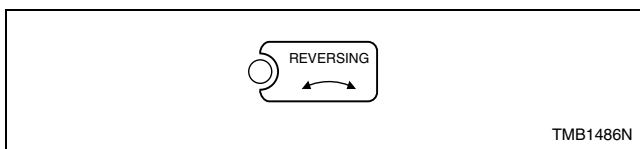


Figure 20

3. Press START pad to start tumbler.

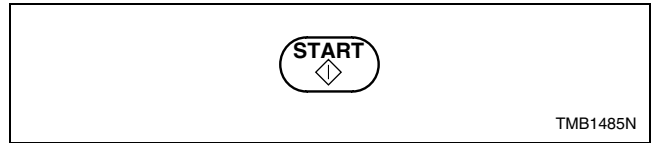


Figure 21

NOTE: All pads can be pressed in any sequence without damaging control or tumbler. To stop the tumbler at any time, open the door or press STOP/ RESET.

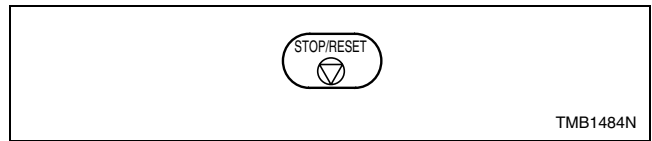


Figure 22

NOTE: The window display will flash. Press STOP/ RESET twice (within three seconds) to end the cycle and reset the control to idle status. To restart the tumbler, CLOSE door and press START pad.

IMPORTANT: If the loading door or lint panel door is opened during the cycle, the heating system will shut off and the motor will stop. To restart the cycle, both doors must be closed and START pad must be pressed.

4. When the cycle is complete, open door and remove the laundry.

Installation/Operation Supplement

G Models Starting Serial No. 0707xxxxx and K Models with OM and RM Control Suffixes

1. To use an Automatic Cycle, press a TEMPERATURE pad. Select HIGH, MED, LOW, DELICATE or NO HEAT for items that should not be dried with heat. A light to the left of the selected pad lights up.

To use a Time Dry or Custom Cycle, refer to the *Programming Manual*.

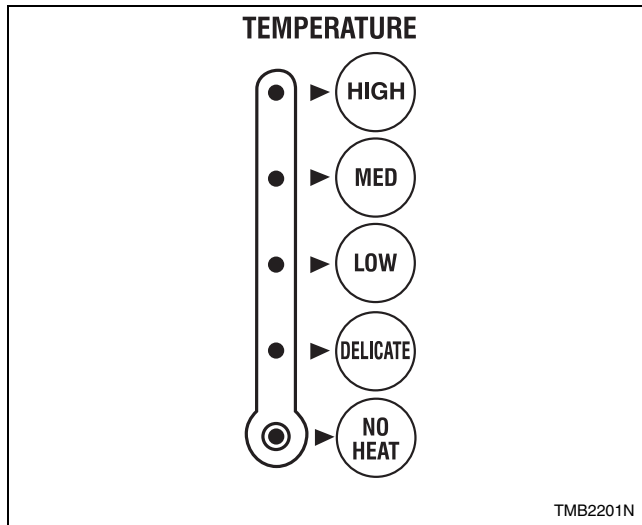


Figure 23

2. Select REVERSING or NONREVERSING cylinder rotation setting.

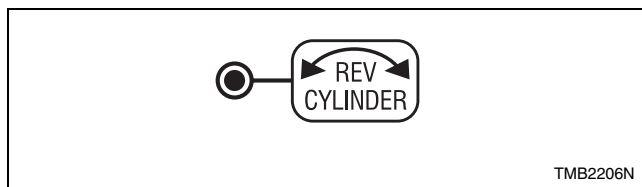


Figure 24

3. Press START pad to start tumbler.

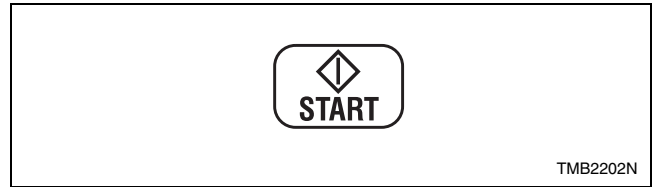


Figure 25

NOTE: All pads can be pressed in any sequence without damaging control or tumbler. To stop the tumbler at any time, open the door or press STOP.

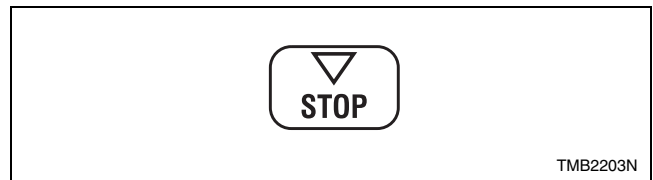


Figure 26

NOTE: The window display will flash. Press STOP twice (within 3 seconds) to end the cycle and reset the control to idle status. To restart the tumbler, CLOSE door and press START pad.

IMPORTANT: If the loading door or lint panel door is opened during the cycle, the heating system will shut off and the motor will stop. To restart the cycle, both doors must be closed and the PUSH TO START button must be pressed in.

4. When the cycle is complete, open door and remove the laundry.

Single Drop Control

SD and SX Control Suffixes

1. Select HIGH, MED, LOW or NO HEAT by turning the temperature knob.

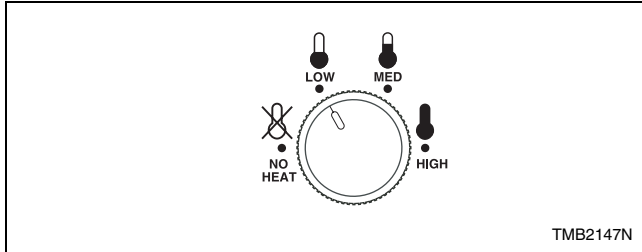


Figure 27

2. Insert the coin(s) in the coin slot.

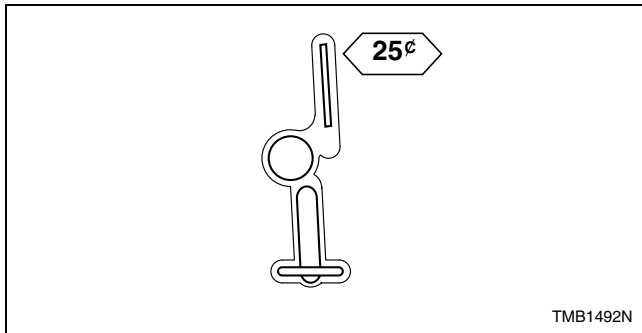


Figure 28

3. Press START button to start tumbler.

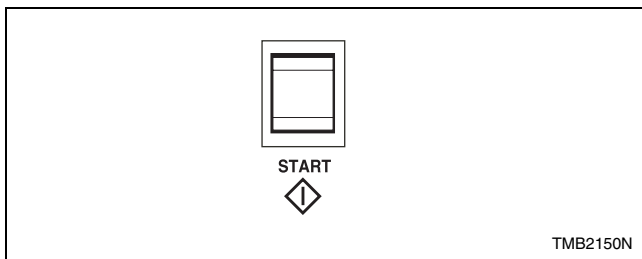


Figure 29

IMPORTANT: To stop the tumbler at any time during the cycle, OPEN DOOR. To restart the tumbler, CLOSE door and press START button.

4. When the cycle is complete, open door and remove the laundry.

MDC Coin and Card Control

BC, BG, BL, BU, BX and BY Control Suffixes

1. Select temperature by pressing the appropriate temperature pad.

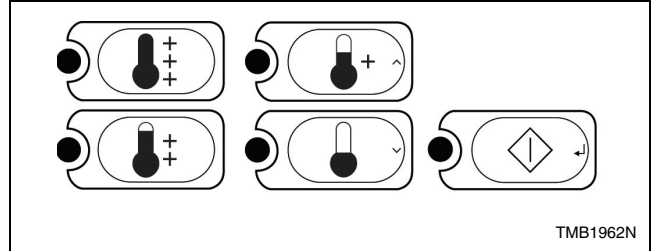


Figure 30

2. Insert the coin(s) in the coin slot, or the card into the opening.

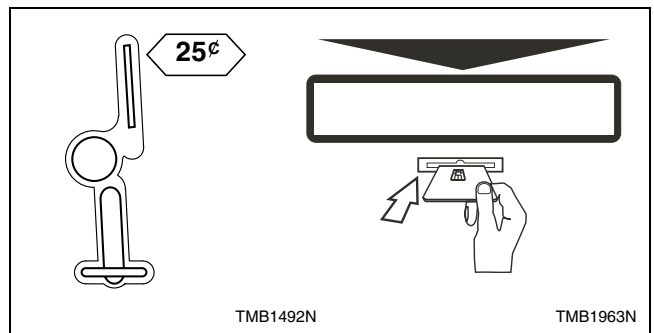


Figure 31

3. Press START pad to start tumbler.

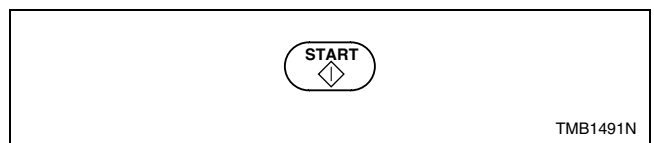


Figure 32

IMPORTANT: To stop the tumbler at any time during the cycle, OPEN DOOR. To restart the tumbler, CLOSE door and press START pad.

4. When the cycle is complete, open door and remove the laundry.

Ignition Control Operation

Diagnostic LED (DGN LED) / Error Codes

The Diagnostic LED or DGN LED is located by the power connector on the ignition control. Refer to *Figure 33*. The Diagnostic LED will indicate the status of the ignition control. Refer to *Table 3*.

LED Color	Description
Orange-Yellow	Initialization
Green	Standby / Normal Operation
Red	Fault Indication Code

Table 3

The Diagnostic LED will flash error codes one half second on and one half second off. Error codes are separated by a one second pause before the code is repeated.

Error Code	DGN LED status	Fault Type
1	Red	Ignition Control Internal Failure
2	2 Red Flashes	Gas Valve Not Connected
3	3 Red Flashes	Ignition/Flame Sense Failure
4	4 Red Flashes	Reset Switch is Shorted
5	Slow Red and Green Flashes	Low Voltage Detection
6	Fast Red and Orange Flashes	Ignition Control is in Reset Delay

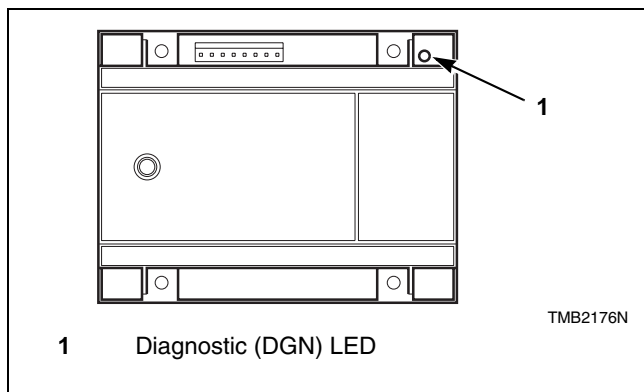


Figure 33

Disposal of Unit

This appliance is marked according to the European directive 2002/96/EC on Waste Electrical and Electronic Equipment (WEEE).

This symbol on the product or on its packaging indicates that this product shall not be treated as household waste. Refer to *Figure 34*. Instead it shall be handed over to the applicable collection point for the recycling of electrical and electronic equipment. Ensuring this product is disposed of correctly will help prevent potential negative consequences for the environment and human health which could otherwise be caused by inappropriate waste handling of this product. The recycling of materials will help to conserve natural resources. For more detailed information about recycling of this product, please contact the local city office, household waste disposal service, or the source from which the product was purchased.

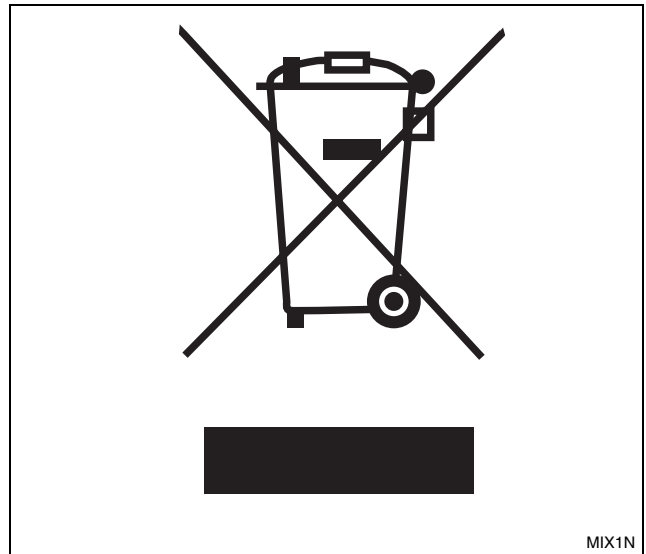


Figure 34