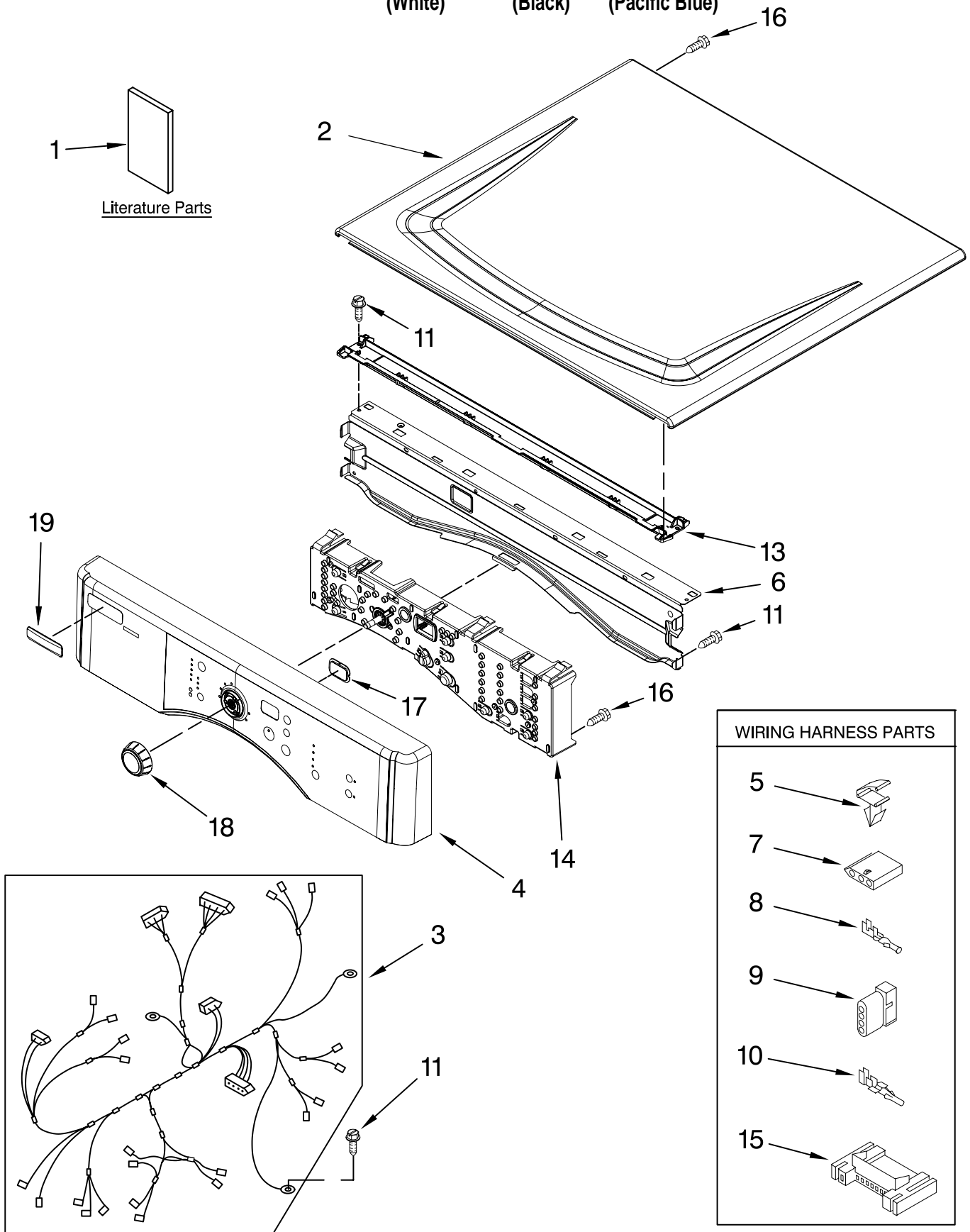




TOP AND CONSOLE PARTS

27" GAS DRYER

For Model: MGDZ600TW2, MGDZ600TB2, MGDZ600TK2
(White) (Black) (Pacific Blue)



FOR ORDERING INFORMATION REFER TO PARTS PRICE LIST

TOP AND CONSOLE PARTS

For Model: MGDZ600TW2, MGDZ600TB2, MGDZ600TK2
 (White) (Black) (Pacific Blue)

Illus. No.	Part No.	DESCRIPTION
1		Literature Parts
	W10112943	Use & Care Guide
	W10117403	Guide, Quick Start
	W10133923	Tech Sheet
2		Top
	8563730	White
	W10129703	Black
	W10140767	Pacific Blue
3	W10110973	Harness, Main
4		Panel, Console (Includes Illus. 19.)
	W10117389	White
	W10117393	Black
	W10119034	Pacific Blue
5	3394427	Clip, Harness
6	8565237	Bracket, Console
7	353424	Connector, Sensor
8	94614	Terminal
9	3936144	Plug, Terminal
10	94613	Terminal
11	3390647	Screw, 8-18 x 1/2
13	8574968	Channel, Water
14	W10117417	Assembly, User Interface
15	3395683	Connector, (Motor)
16	3400238	Screw, 2-28 x 1/2
17	W10117387	Lens Display
18	W10119050	Knob Assembly
19	W10112569	Badge Assembly

FOR ORDERING INFORMATION REFER TO PARTS PRICE LIST

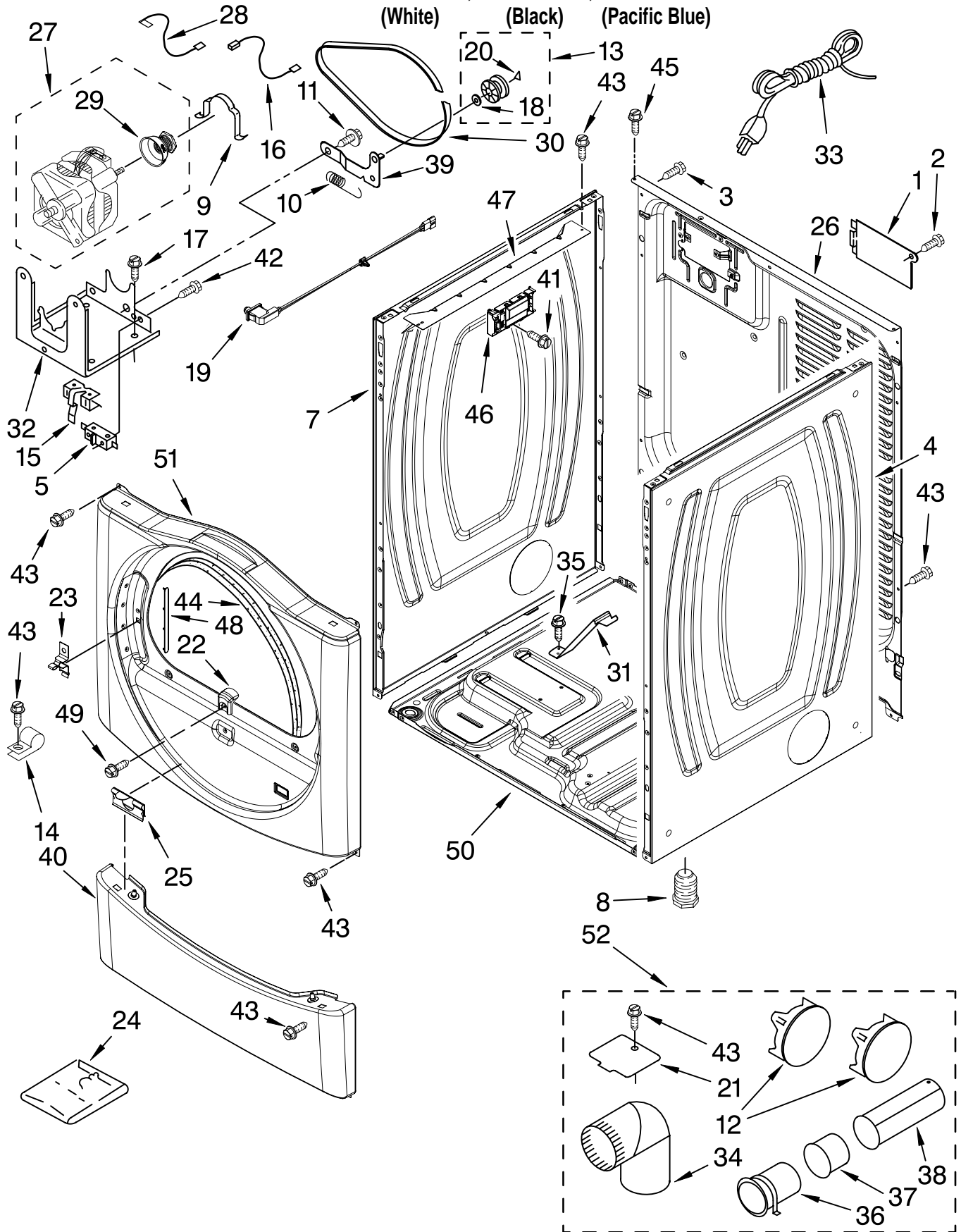
CABINET PARTS

For Model: MGDZ600TW2, MGDZ600TB2, MGDZ600TK2

(White)

(Black)

(Pacific Blue)



FOR ORDERING INFORMATION REFER TO PARTS PRICE LIST

CABINET PARTS

For Model: MGDZ600TW2, MGDZ600TB2, MGDZ600TK2

(White) (Black) (Pacific Blue)

Illus. No.	Part No.	DESCRIPTION	Illus. No.	Part No.	DESCRIPTION	Illus. No.	Part No.	DESCRIPTION
1	8317340	Cover, Terminal Block	17	343641	Screw, 8-18 x 1/2	40		Toe Panel
2	3390814	Screw, 8-18 x 3/8	18	233520	Washer, Thrust		8540621	White
3	8533974	Screw Ground	19	8574875	Assembly, Door Switch		W10112964	Black
4		Panel, Side (R.H.)	20	W10121334	Tri Ring		W10119028	Pacific Blue
	8565048	White	21	8066115	Cover-Plate	41	8533971	Screw, 8-18 x 5/16
	W10112963	Black	22	8565083	Ramp, Door	42	98129	Screw, 6-20 x 1 1/16
	W10119027	Pacific Blue	23	8565122	Strike, Door (1)	43	3390647	Screw, 8-18 x 1/2
5	3394881	Switch, Broken Belt	24	8572546	Kit, Stack Assembly	44	3387242	Seal, Front Panel
7		Panel, Side (L.H.)	25	8519459	Clip, Toe Panel	45	3393008	Screw, 10-16 x 1/2
	8565054	White	26	8565059	Panel, Rear	46	W10111606	Control Board
	W10112962	Black	27	8538263	Motor Assembly 60 HZ.	47	8563727	Control Bracket
	W10119026	Pacific Blue	28	3398948	Wire, Jumper (Broken Belt Switch)	48	8565043	Plug, Strip
8	3392100	Foot, Dryer	29	8578220	Pulley 60 HZ.	49	3357011	Screw, 8-18 x 1/2
	279810	Foot - Optional (Extended Length Package Of 2) (Not Included)	30	W10112954	Belt, Drive	50	8565046	Base, Cabinet
9	660658	Clamp, Motor (2)	31	8529757	Bracket, Burner	51		Front Panel (Includes Illus. 44)
10	3387374	Spring, Idler	32	3387118	Bracket, Motor		W10117421	White
11	3389420	Retainer, Idler	33	3401401	Cord, Power		W10117396	Black
12		Plug, Multivent	34	49026	4" - 90° Elbow		W10119029	Pacific Blue
	697750	White	35	693995	Screw, 8-18 x 3/8	<hr/> Optional Parts Not Included <hr/>		
	3388309	Black	36	8563747	Exhaust Pipe & Bracket	<hr/> Dryer Exhaust Kit <hr/>		
	8561800	Pacific Blue	37	8563750	Exhaust Pipe (Short)	<hr/> (For Side & Bottom Venting) <hr/>		
13	3388672	Pulley Assembly	38	8563749	Exhaust Pipe (Long)			
14	3978776	Bracket, Gas Pipe	39	3388674	Idler Bracket	52	279818	White
15	8066120	Lever, Snap Switch					279820	Black
16	3394081	Wire, Belt Switch					280102	Pacific Blue

FOR ORDERING INFORMATION REFER TO PARTS PRICE LIST

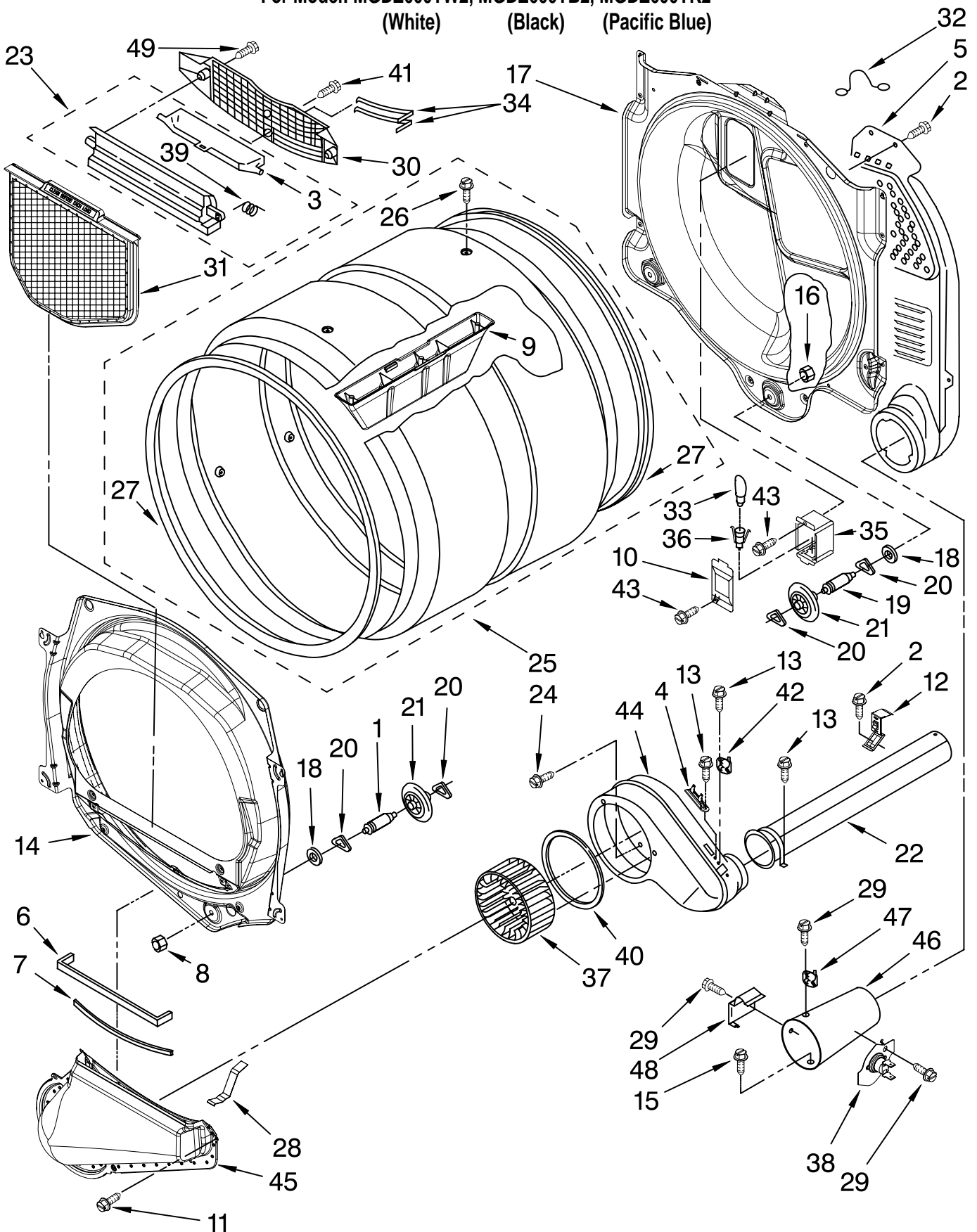
BULKHEAD PARTS

For Model: MGDZ600TW2, MGDZ600TB2, MGDZ600TK2

(White)

(Black)

(Pacific Blue)



FOR ORDERING INFORMATION REFER TO PARTS PRICE LIST

BULKHEAD PARTS

For Model: MGDZ600TW2, MGDZ600TB2, MGDZ600TK2
(White) (Black) (Pacific Blue)

Illus. No.	Part No.	DESCRIPTION	Illus. No.	Part No.	DESCRIPTION	Illus. No.	Part No.	DESCRIPTION
1	8575324	Shaft, R.H. Thread	17	W10080170	Bulkhead, Rear	37	697772	Wheel, Blower
2	3390647	Screw, 8-18 x 1/2	18	3387459	Washer, Support	38	8573713	Thermal Cut-Off
3	W10153413	Door, Lint Screen	19	8575325	Shaft, L.H. Thread	39	3394986	Spring, Lint Screen Door
4	3392519	Thermal Fuse (91°C)	20	690997	Ring, Tri	40	697770	Seal, Cover Plate
5	3394346	Air Duct Assembly	21	8536973	Roller, Support	41	695240	Screw, 8-18 x 1/2
6	697813	Seal, Outlet Housing	22	8563728	Exhaust Pipe	42	8577274	Thermistor
7	697814	Seal, Drum Front	23	W10153423	Housing, Outlet Assembly	43	487909	Screw, 8-15 x 1/2
8	3934666	Nut, 3/8 x 16(R.H.)	24	489463	Screw, 8-18 x 5/8	44	8544362	Housing, Blower
9	W10153409	Baffle, Drum	25	W10153420	Complete Drum Assembly	45	8066168	Lint Duct Assembly
10	3402841	Lens, Drum Light	26	W10109200	Screw, 11-16 x 3/4	46	8573824	Funnel, Burner
11	359625	Screw, 8-18 x 1/2	27	697694	Seal, Drum	47	8573028	Thermostat, High-Limit 205°F (96°C)
12	8572105	Clip, Exhaust Pipe	28	8066208	Clip-Spring	48	338906	Sensor, Radiant
13	8533971	Screw, 8-18 x 5/16	29	90767	Screw, 8-18 x 3/8	49	3387230	Screw, 10-16 x 1
14	8565061	Bulkhead, Drum	30	W10153412	Grille, Outlet	50	W10153409	Baffle, Drum
15	693995	Screw, 8-18 x 3/8	31	W10049370	Lint Screen	51	8565061	Bulkhead, Front
16	W10001120	Nut, 3/8-16 (L.H.)	32	3401707	Wire Jumper	52	W10153412	Grille, Outlet
			33	3406124	Bulb, Light	53	W10049370	Lint, Screen
			34	3387223	Electrode, Sensor			
			35	8578825	Bracket, Drum Light			
			36	W10136369	Socket Assembly			

FOR ORDERING INFORMATION REFER TO PARTS PRICE LIST

8576353 BURNER ASSEMBLY

For Model: MGDZ600TW2, MGDZ600TB2, MGDZ600TK2

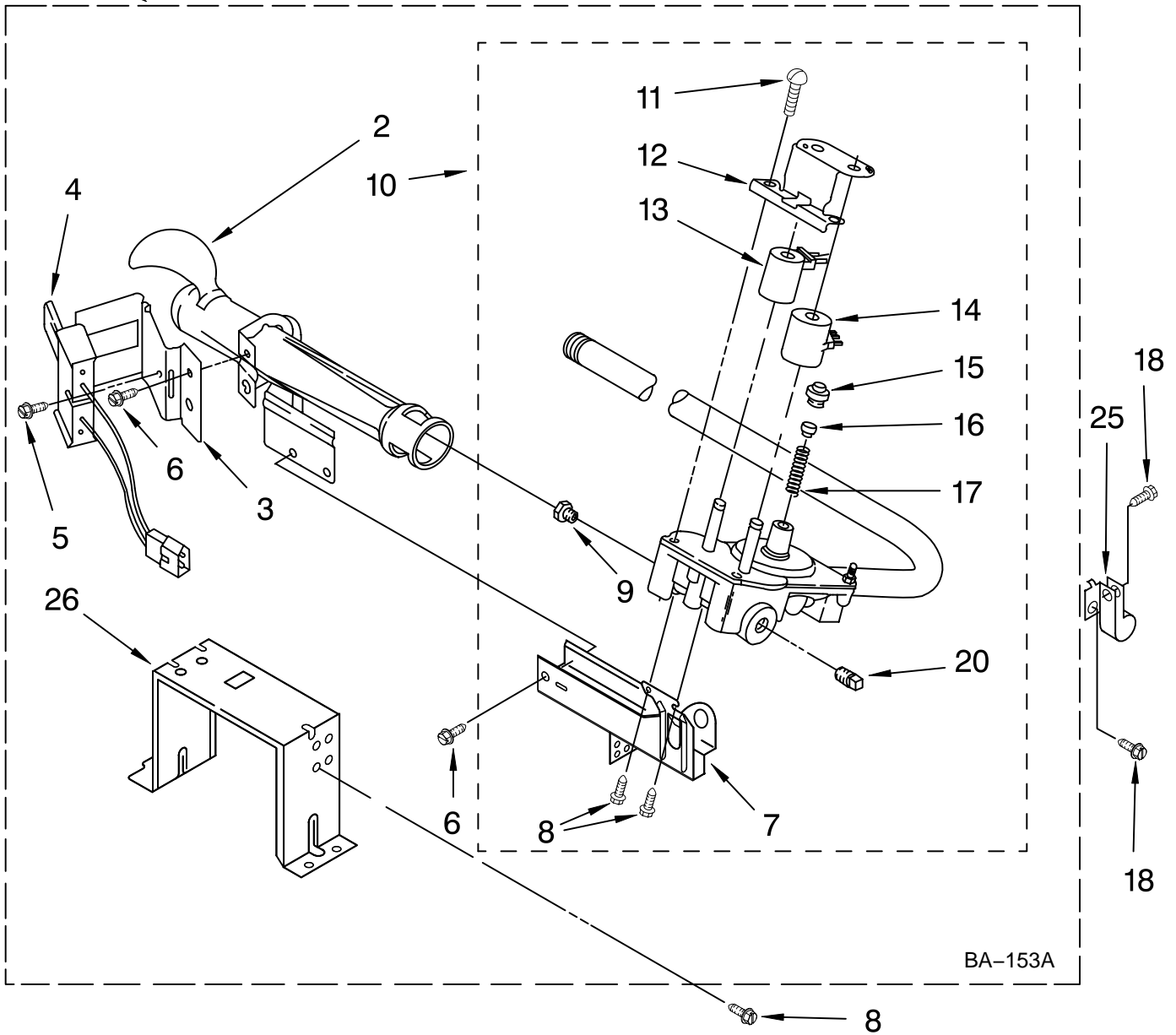
(White)

(Black)

(Pacific Blue)

1

AND TYPE 4 LIQUEFIED PROPANE AND BUTANE GASES



FOR ORDERING INFORMATION REFER TO PARTS PRICE LIST

8576353 BURNER ASSEMBLY

For Model: MGDZ600TW2, MGDZ600TB2, MGDZ600TK2
(White) (Black) (Pacific Blue)

USE WITH TYPE 1 – NATURAL
AND TYPE 4 LIQUEFIED PROPANE AND BUTANE GASES

Illus. No.	Part No.	DESCRIPTION
1	8576353	Burner Assembly 60 Hz. (Type 1) (White Rodgers)
2	688617	Tube, Burner
3	694298	Bracket, Ignitor
4	686590	Ignitor
5	3393909	Screw & Washer (8-32 x 7/8)
6	343641	Screw, 10-16 x 1/2
7	3389871	Base, Burner
8	3387057	Screw, 8-18 x 3/8
9		Orifice, Burner 15418 Type 1 15422 Type 4 (Butane) 234867 Type 4 (Propane)
10	W10118347	Valve, Gas 60 Hz. (Complete) (Includes Pipe & Illus. #7).
11	694421	Screw, 8-32 x 1/2 (2)
12	694538	Bracket, Coil
13	694540	Coil, 60 Hz. (2 Terminal) (Main)
14	694539	Coil, 60 Hz. (Split) (3 Terminal) (Pilot Position)
15	694424	Leak, Limiter
16	694423	Screw, Regulator Adjustment
17	694422	Spring, Regulator
18	3390647	Screw, 8-18 x 1/2
20	239822	Plug, Pipe
25	3387561	Clamp, Pipe
26	3389889	Bracket, Support

Following Parts Not Illustrated

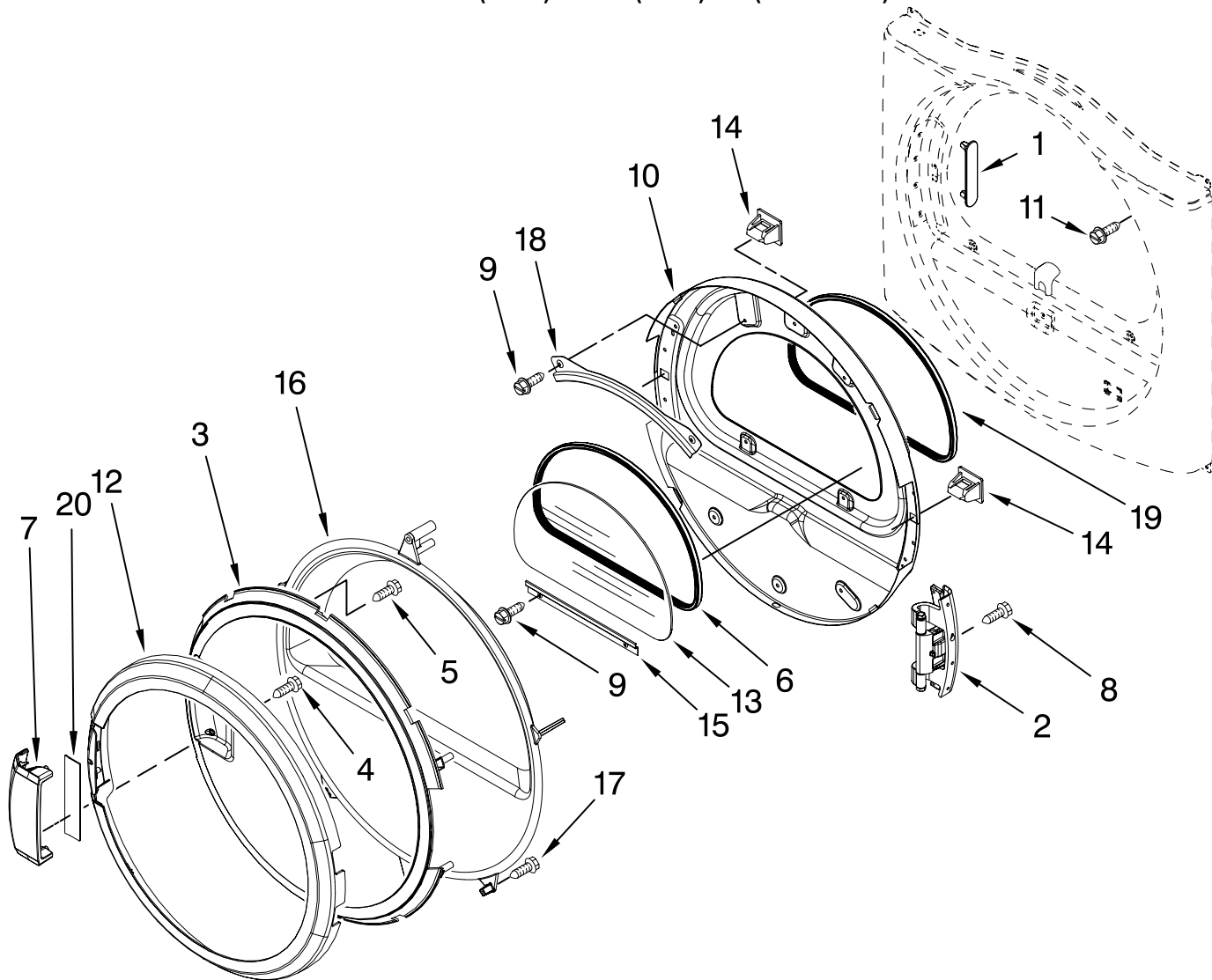
8576846 Conversion Kit
(Type 1)
to Type (4) LPG).

BA-153A

FOR ORDERING INFORMATION REFER TO PARTS PRICE LIST

DOOR PARTS

For Model: MGDZ600TW2, MGDZ600TB2, MGDZ600TK2
(White) (Black) (Pacific Blue)



Illus. No.	Part No.	DESCRIPTION
1	8565119	Plug Strip (Inner Door)
2	8578887	Door Hinge Assembly
3	W10119053	Assembly, Door Intermediate
4	9742177	Screw, 8-18 x 5/8
5	3400618	Screw, 6-32 x 3/8
6	8579663	Seal, Window
7	W10117478	Handle, Door (Includes Illus. 20.)

Illus. No.	Part No.	DESCRIPTION
8	W10159996	Screw, 10-24 x 3/64
9	3393258	Screw, 10-16 x 3/64
10	8578933	Door Assembly, Inner (Includes Illus. 1, 14 & 19)
11	355515	Screw, 8-18 x 11/16
12	W10112917	Door, Outer Ring

Illus. No.	Part No.	DESCRIPTION
13	8565117	Window
14	690081	Door Catch Assembly
15	8519354	Retainer-Lower
16	8580059	Door, Intermediate
17	8534022	Screw
18	8519356	Retainer, Upper
19		Door Seal (Not Serviceable)
20	W10112927	Pad, Door Handle

FOR ORDERING INFORMATION REFER TO PARTS PRICE LIST

OPTIONAL PARTS (NOT INCLUDED)

For Model: MGDZ600TW2, MGDZ600TB2, MGDZ600TK2

(White) (Black) (Pacific Blue)

<u>Illus. No.</u>	<u>Part No.</u>	<u>DESCRIPTION</u>
-------------------	-----------------	--------------------

PAINT, TOUCH-UP (1/2oz.)

72017 White

PAINT, PRESSURIZED SPRAY (12 oz.)

350930 White
350938 Primer, Gray

PAINT, BULK (1 qt.)

799344 White (Uncut)

ACCESSORY PARTS

8529894 Hold Down Kit
8522199 Kit, Dryer
Vent Testing
80047 Kit,
Dryer Repair
8563738 Dry Rack