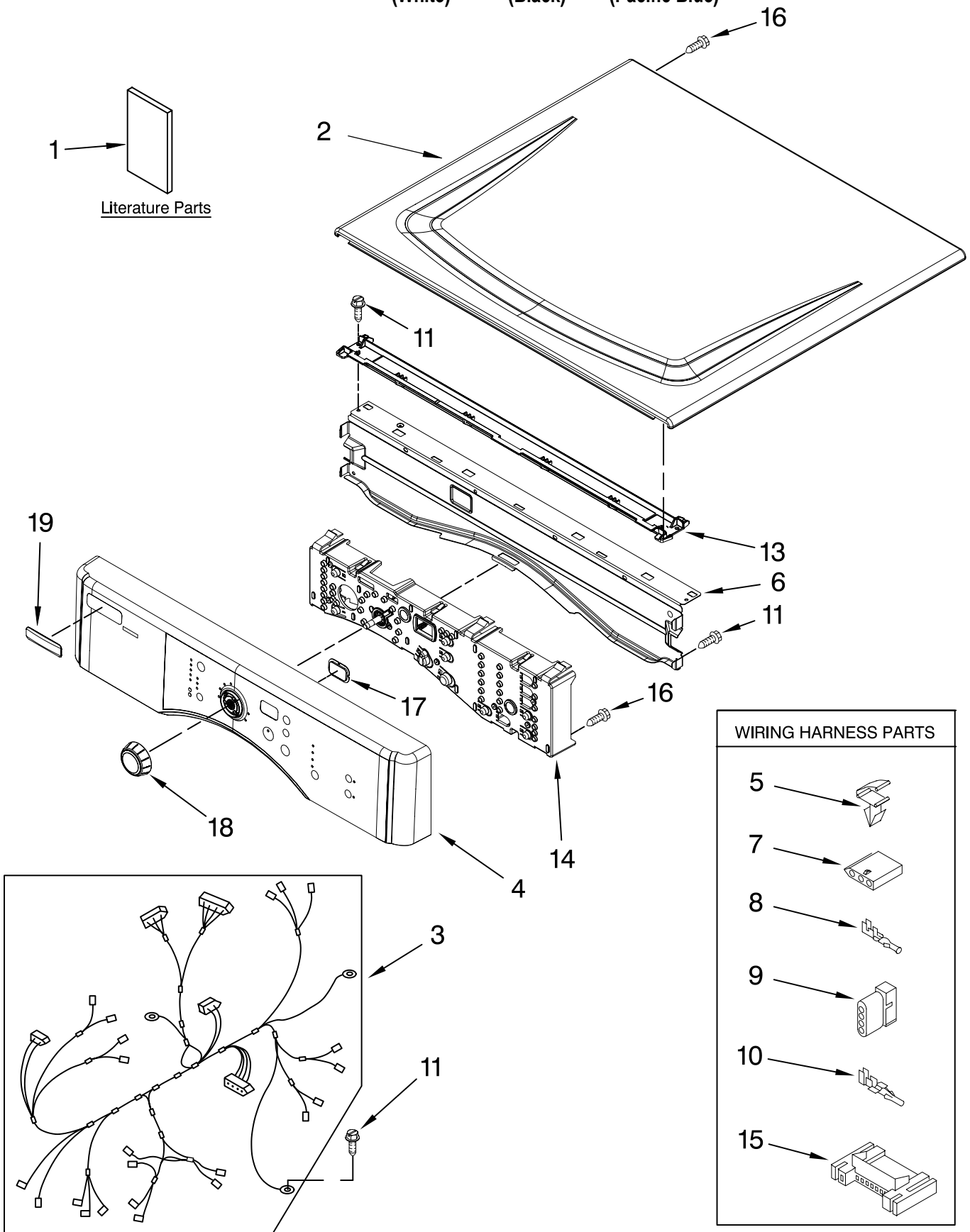


# TOP AND CONSOLE PARTS

27" GAS DRYER

For Model: MGDZ600TW1, MGDZ600TB1, MGDZ600TK1  
(White) (Black) (Pacific Blue)



1 → Literature Parts

WIRING HARNESS PARTS	
5	
7	
8	
9	
10	
15	

FOR ORDERING INFORMATION REFER TO PARTS PRICE LIST

# TOP AND CONSOLE PARTS

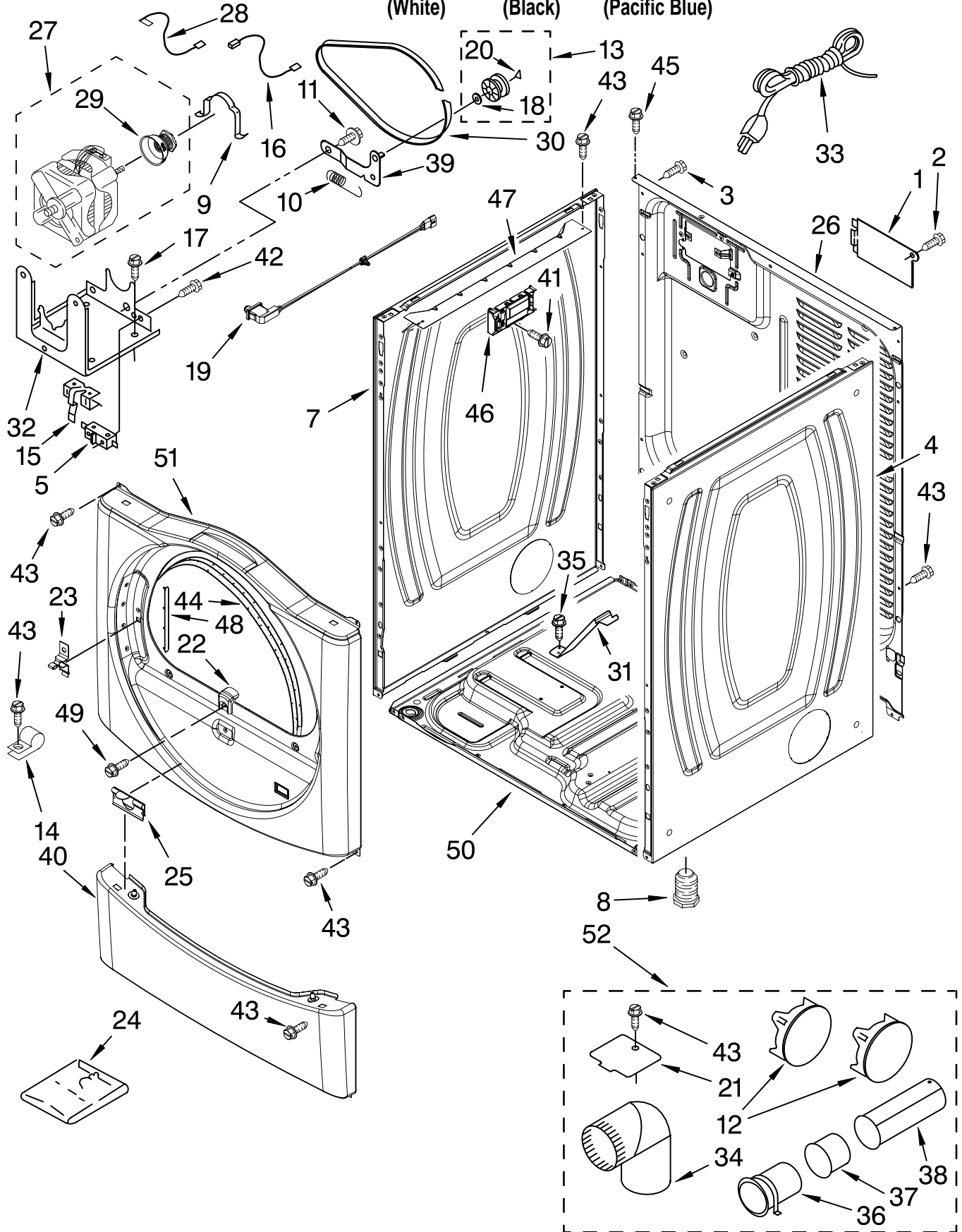
For Model: MGDZ600TW1, MGDZ600TB1, MGDZ600TK1  
(White) (Black) (Pacific Blue)

<u>Illus. No.</u>	<u>Part No.</u>	<u>DESCRIPTION</u>
1		Literature Parts
	W10112943	Use & Care Guide
	W10117403	Guide, Quick Start
	W10133923	Tech Sheet
2		Top
	8563730	White
	W10129703	Black
	W10140767	Pacific Blue
3	W10110973	Harness, Main
4		Panel, Console (Includes Illus. 19.)
	W10117389	White
	W10117393	Black
	W10119034	Pacific Blue
5	3394427	Clip, Harness
6	8565237	Bracket, Console
7	353424	Connector, Sensor
8	94614	Terminal
9	3936144	Plug, Terminal
10	94613	Terminal
11	3390647	Screw, 8-18 x 1/2
13	8574968	Channel, Water
14	W10117417	Assembly, User Interface
15	3395683	Connector, (Motor)
16	3400238	Screw, 2-28 x 1/2
17	W10117387	Lens Display
18	W10119050	Knob Assembly
19	W10112569	Badge Assembly

FOR ORDERING INFORMATION REFER TO PARTS PRICE LIST

# CABINET PARTS

For Model: MGDZ600TW1, MGDZ600TB1, MGDZ600TK1  
(White) (Black) (Pacific Blue)



FOR ORDERING INFORMATION REFER TO PARTS PRICE LIST

# CABINET PARTS

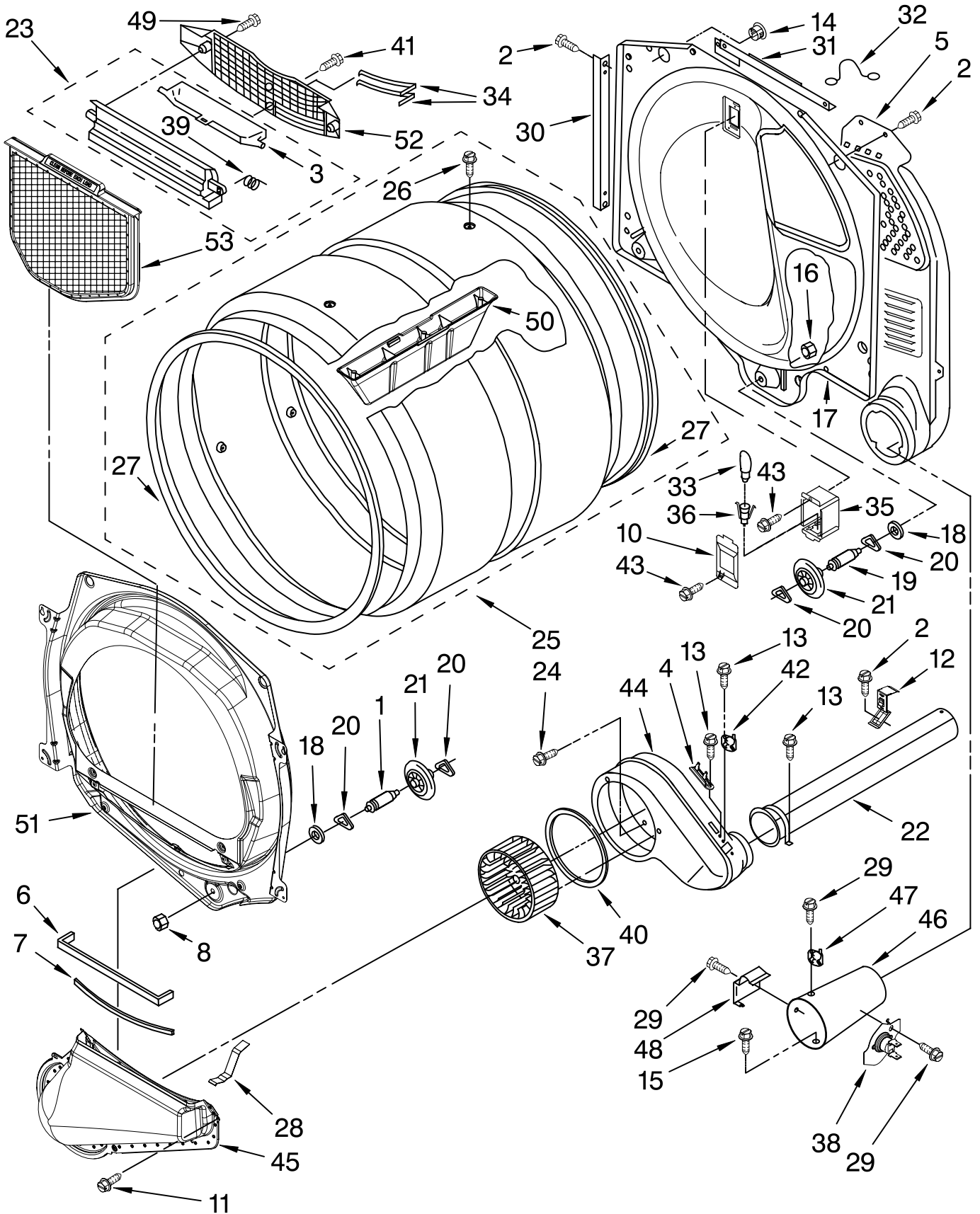
For Model: MGDZ600TW1, MGDZ600TB1, MGDZ600TK1  
(White) (Black) (Pacific Blue)

Illus. No.	Part No.	DESCRIPTION	Illus. No.	Part No.	DESCRIPTION	Illus. No.	Part No.	DESCRIPTION
1	8317340	Cover, Terminal Block	16	3394081	Wire, Belt Switch	39	3388674	Idler Bracket
2	3390814	Screw, 8-18 x 3/8	17	343641	Screw, 8-18 x 1/2	40		Toe Panel
3	8533974	Screw Ground	18	233520	Washer, Thrust		8540621	White
4		Panel, Side (R.H.)	19	8574875	Assembly, Door Switch		W10112964	Black
	8565048	White	20	W10121334	Tri Ring		W10119028	Pacific Blue
	W10112963	Black	21	8066115	Cover-Plate	41	8533971	Screw, 8-18 x 5/16
	W10119027	Pacific Blue	22	8565083	Ramp, Door	42	98129	Screw, 6-20 x 1 1/16
5	3394881	Switch, Broken Belt	23	8565122	Strike, Door (1)	43	3390647	Screw, 8-18 x 1/2
7		Panel, Side (L.H.)	24	8572546	Kit, Stack Assembly	44	3387242	Seal, Front Panel
	8565054	White	25	8519459	Clip, Toe Panel	45	3393008	Screw, 10-16 x 1/2
	W10112962	Black	26	8565059	Panel, Rear	46	W10111606	Control Board
	W10119026	Pacific Blue	27	8538263	Motor Assembly 60 HZ.	47	8563727	Control Bracket
8	3392100	Foot, Dryer	28	3398948	Wire, Jumper (Broken Belt Switch)	48	8565043	Plug, Strip
	279810	Foot - Optional (Extended Length Package Of 2) (Not Included)	29	8578220	Pulley 60 HZ.	49	3357011	Screw, 8-18 x 1/2
9	660658	Clamp, Motor (2)	30	W10112954	Belt, Drive	50	8565046	Base, Cabinet
10	3387374	Spring, Idler	31	8529757	Bracket, Burner	51		Front Panel (Includes Illus. 44)
11	3389420	Retainer, Idler	32	3387118	Bracket, Motor		W10117421	White
12		Plug, Multivent	33	3401401	Cord, Power		W10117396	Black
	697750	White	34	49026	4" - 90° Elbow		W10119029	Pacific Blue
	3388309	Black	35	693995	Screw, 8-18 x 3/8	Optional Parts Not Included		
	8561800	Pacific Blue	36	8563747	Exhaust Pipe & Bracket	Dryer Exhaust Kit (For Side & Bottom Venting)		
13	3388672	Pulley Assembly	37	8563750	Exhaust Pipe (Short)			
14	3978776	Bracket, Gas Pipe	38	8563749	Exhaust Pipe (Long)	52	279818	White
15	8066120	Lever, Snap Switch					279820	Black
							280102	Pacific Blue

FOR ORDERING INFORMATION REFER TO PARTS PRICE LIST

# BULKHEAD PARTS

For Model: MGDZ600TW1, MGDZ600TB1, MGDZ600TK1  
(White) (Black) (Pacific Blue)



FOR ORDERING INFORMATION REFER TO PARTS PRICE LIST

# BULKHEAD PARTS

For Model: MGDZ600TW1, MGDZ600TB1, MGDZ600TK1  
(White) (Black) (Pacific Blue)

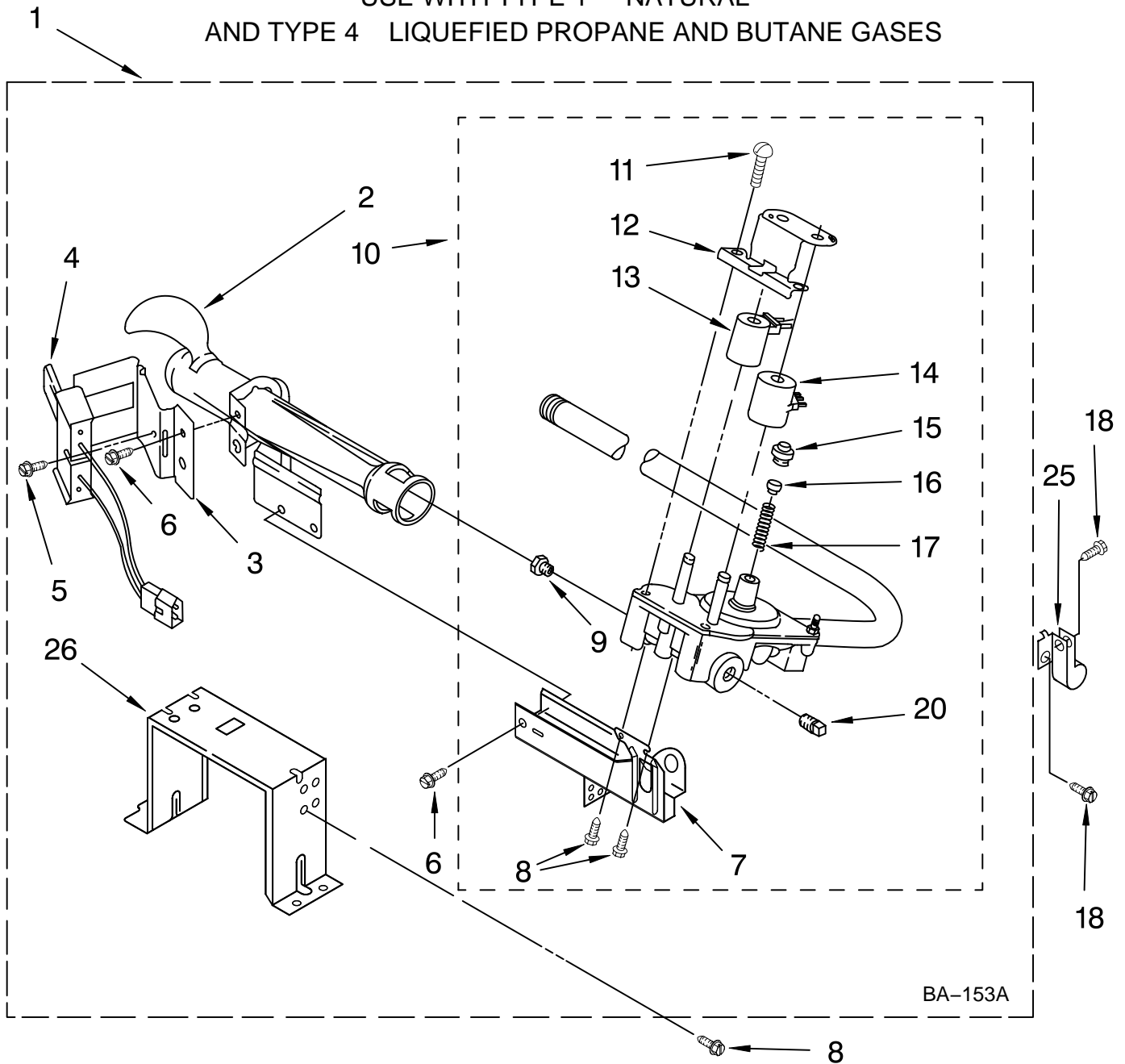
Illus. No.	Part No.	DESCRIPTION	Illus. No.	Part No.	DESCRIPTION	Illus. No.	Part No.	DESCRIPTION
1	8575324	Shaft, R.H. Thread	17	8520836	Bulkhead, Rear	34	3387223	Electrode, Sensor
2	3390647	Screw, 8-18 x 1/2	18	3387459	Washer, Support	35	8578825	Bracket, Drum Light
3	W10153413	Door, Lint Screen	19	8575325	Shaft, L.H. Thread	36	W10136369	Socket Assembly
4	3392519	Thermal Fuse (91°C)	20	690997	Ring, Tri	37	697772	Wheel, Blower
5	3394346	Air Duct Assembly	21	8536973	Roller, Support	38	8573713	Thermal Cut-Off
6	697813	Seal, Outlet Housing	22	8563728	Exhaust Pipe	39	3394986	Spring, Lint Screen Door
7	697814	Seal, Drum Front	23	W10153423	Housing, Outlet Assembly	40	697770	Seal, Cover Plate
8	3934666	Nut, 3/8 x 16(R.H.)	24	489463	Screw, 8-18 x 5/8	41	695240	Screw, 8-18 x 1/2
10	3402841	Lens, Drum Light	25	W10153420	Complete Drum Assembly	42	8577274	Thermistor
11	359625	Screw, 8-18 x 1/2	26	W10109200	Screw, 11-16 x 3/4	43	487909	Screw, 8-15 x 1/2
12	8572105	Clip, Exhaust Pipe	27	697694	Seal, Drum	44	8544362	Housing, Blower
13	8533971	Screw, 8-18 x 5/16	28	8066208	Clip-Spring	45	8066168	Lint Duct Assembly
14	8529007	Plug, Rear Bulkhead	29	90767	Screw, 8-18 x 3/8	46	8573824	Funnel, Burner
15	693995	Screw, 8-18 x 3/8	30	8519221	Channel Bracket, Rear Bulkhead (2)	47	8573028	Thermostat, High-Limit 205°F (96°C)
16	W10001120	Nut, 3/8-16 (L.H.)	31	8571651	Bracket, Upper Rear Bulkhead	48	338906	Sensor, Radiant
			32	3401707	Wire Jumper	49	3387230	Screw, 10-16 x 1
			33	3406124	Bulb, Light	50	W10153409	Baffle, Drum
						51	8565061	Bulkhead, Front
						52	W10153412	Grille, Outlet
						53	W10049370	Lint, Screen

FOR ORDERING INFORMATION REFER TO PARTS PRICE LIST

# 8576353 BURNER ASSEMBLY

For Model: MGDZ600TW1, MGDZ600TB1, MGDZ600TK1  
(White) (Black) (Pacific Blue)

USE WITH TYPE 1 – NATURAL  
AND TYPE 4 LIQUEFIED PROPANE AND BUTANE GASES



FOR ORDERING INFORMATION REFER TO PARTS PRICE LIST

# 8576353 BURNER ASSEMBLY

For Model: MGDZ600TW1, MGDZ600TB1, MGDZ600TK1  
(White) (Black) (Pacific Blue)

USE WITH TYPE 1 – NATURAL  
AND TYPE 4 LIQUEFIED PROPANE AND BUTANE GASES

Illus. No.	Part No.	DESCRIPTION
1	8576353	Burner Assembly 60 Hz. (Type 1) (White Rodgers)
2	688617	Tube, Burner
3	694298	Bracket, Ignitor
4	686590	Ignitor
5	3393909	Screw & Washer (8-32 x 7/8)
6	343641	Screw, 10-16 x 1/2
7	3389871	Base, Burner
8	3387057	Screw, 8-18 x 3/8
9		Orifice, Burner 15418 Type 1 15422 Type 4 (Butane) 234867 Type 4 (Propane)
10	W10118347	Valve, Gas 60 Hz. (Complete) (Includes Pipe & Illus. #7).
11	694421	Screw, 8-32 x 1/2 (2)
12	694538	Bracket, Coil
13	694540	Coil, 60 Hz. (2 Terminal) (Main)
14	694539	Coil, 60 Hz. (Split) (3 Terminal) (Pilot Position)
15	694424	Leak, Limiter
16	694423	Screw, Regulator Adjustment
17	694422	Spring, Regulator
18	3390647	Screw, 8-18 x 1/2
20	239822	Plug, Pipe
25	3387561	Clamp, Pipe
26	3389889	Bracket, Support

---

#### Following Parts Not Illustrated

---

8576846 Conversion Kit  
(Type 1)  
to Type (4) LPG).

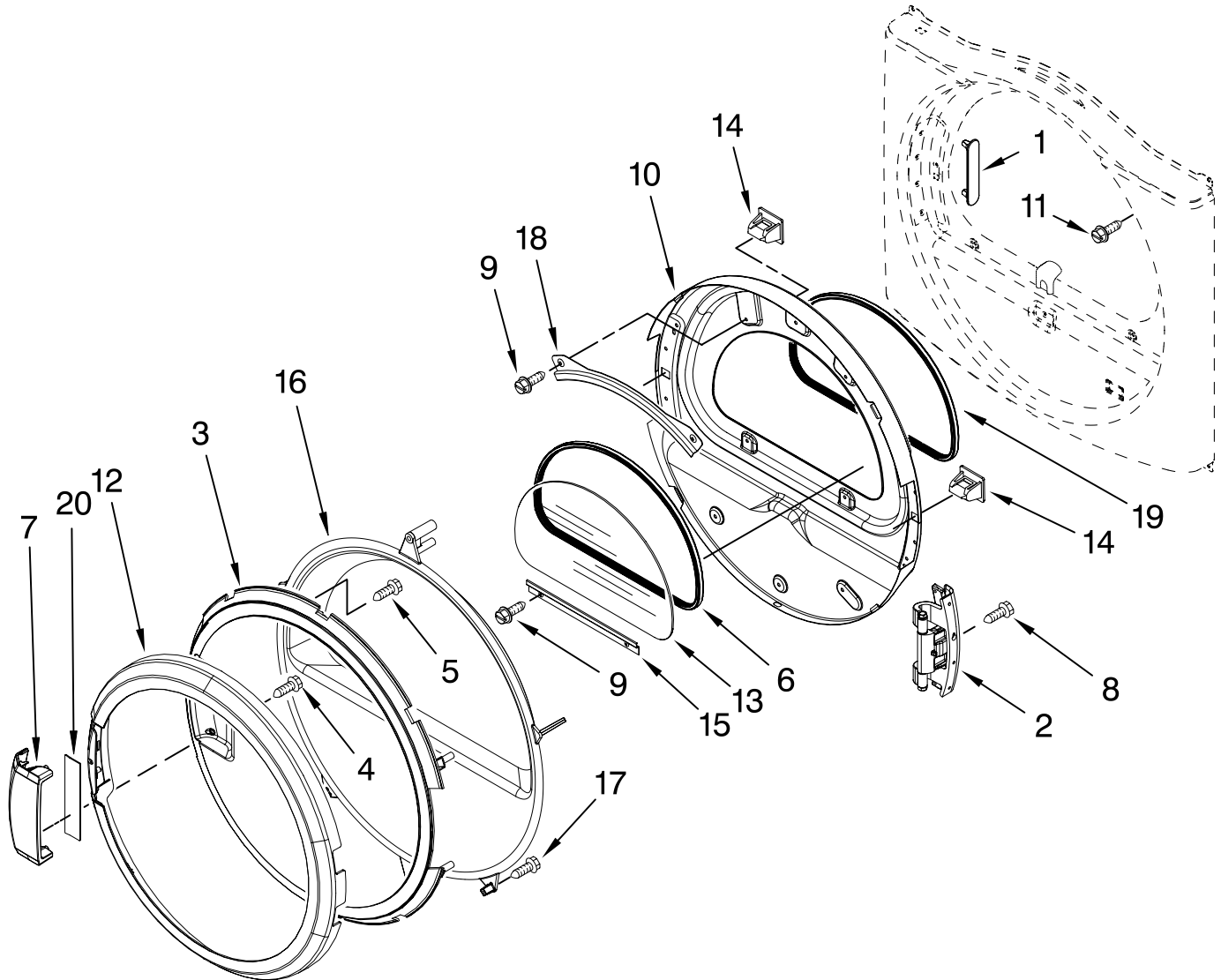
BA-153A

FOR ORDERING INFORMATION REFER TO PARTS PRICE LIST



# DOOR PARTS

For Model: MGDZ600TW1, MGDZ600TB1, MGDZ600TK1  
(White) (Black) (Pacific Blue)



Illus. No.	Part No.	DESCRIPTION
1	8565119	Plug Strip (Inner Door)
2	8578887	Door Hinge Assembly
3	W10119053	Assembly, Door Intermediate
4	9742177	Screw, 8-18 x 5/8
5	3400618	Screw, 6-32 x 3/8
6	8579663	Seal, Window
7	W10117478	Handle, Door (Includes Illus. 20.)

Illus. No.	Part No.	DESCRIPTION
8	W10017850	Screw, 10-24 x 3/64
9	3393258	Screw, 10-16 x 3/64
10	8578933	Door Assembly (Inner) (Includes Illus. 1 & 14)
11	355515	Screw, 8-18 x 11/16
12	W10112917	Door, Outer Ring

Illus. No.	Part No.	DESCRIPTION
13	8565117	Window
14	690081	Door Catch Assembly
15	8519354	Retainer-Lower
16	8565114	Door, Intermediate
17	8534022	Screw
18	8519356	Retainer, Upper
19		Door Seal (Not Serviceable)
20	W10112927	Pad, Door Handle

FOR ORDERING INFORMATION REFER TO PARTS PRICE LIST

# OPTIONAL PARTS (NOT INCLUDED)

For Model: MGDZ600TW1, MGDZ600TB1, MGDZ600TK1  
(White) (Black) (Pacific Blue)

<b>Illus.</b>	<b>Part</b>	
<b>No.</b>	<b>No.</b>	<b>DESCRIPTION</b>

## PAINT, TOUCH-UP (1/2oz.)

72017 White

## PAINT, PRESSURIZED SPRAY (12 oz.)

350930 White  
350938 Primer, Gray

## PAINT, BULK (1 qt.)

799344 White (Uncut)

## ACCESSORY PARTS

8529894 Hold Down Kit  
8522199 Kit, Dryer  
Vent Testing  
80047 Kit,  
Dryer Repair  
8563738 Dry Rack