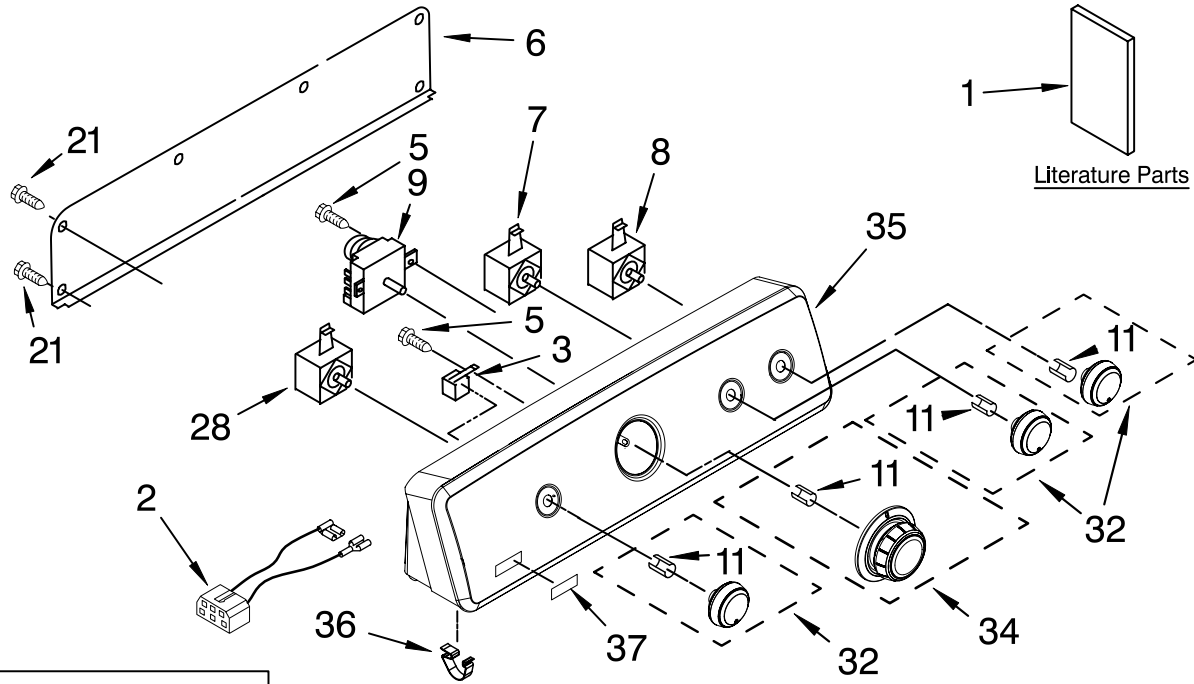


TOP AND CONSOLE PARTS

For Model: MGD5830TW1

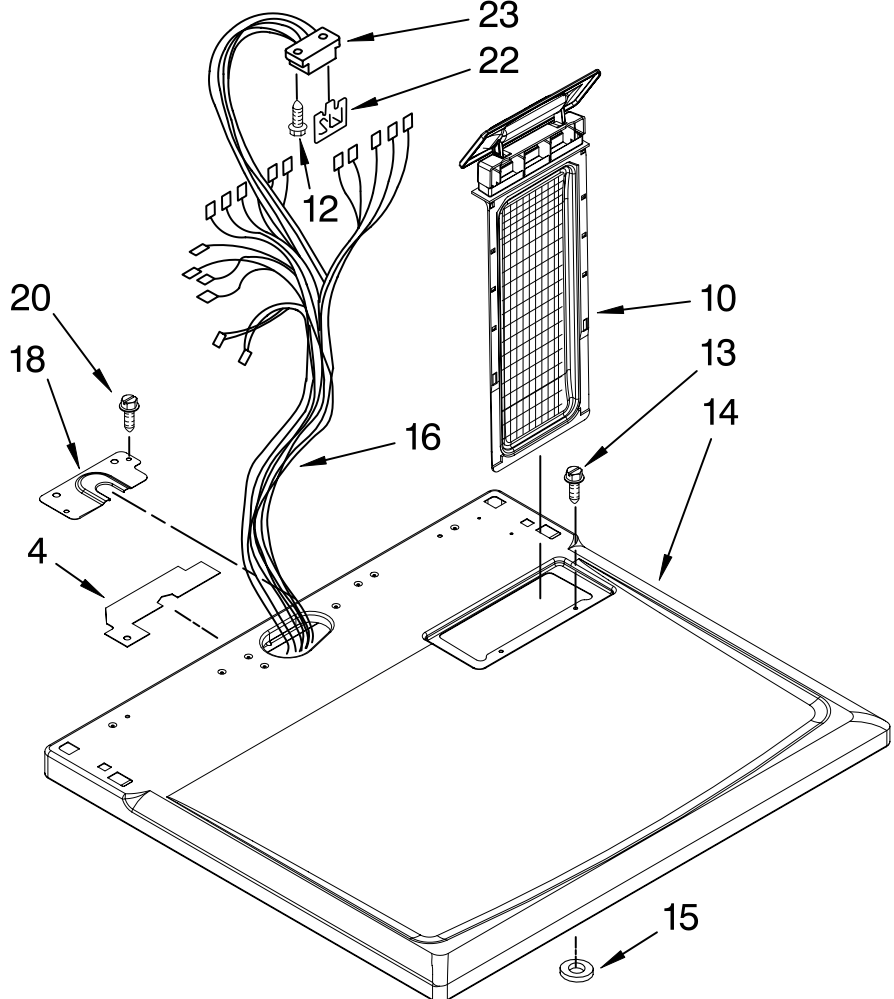
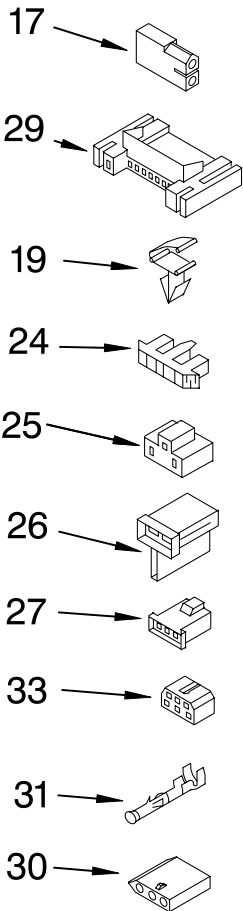
(White)

29" Gas Dryer



Literature Parts

WIRING HARNESS PARTS



FOR ORDERING INFORMATION REFER TO PARTS PRICE LIST

TOP AND CONSOLE PARTS

For Model: MGD5830TW1

(White)

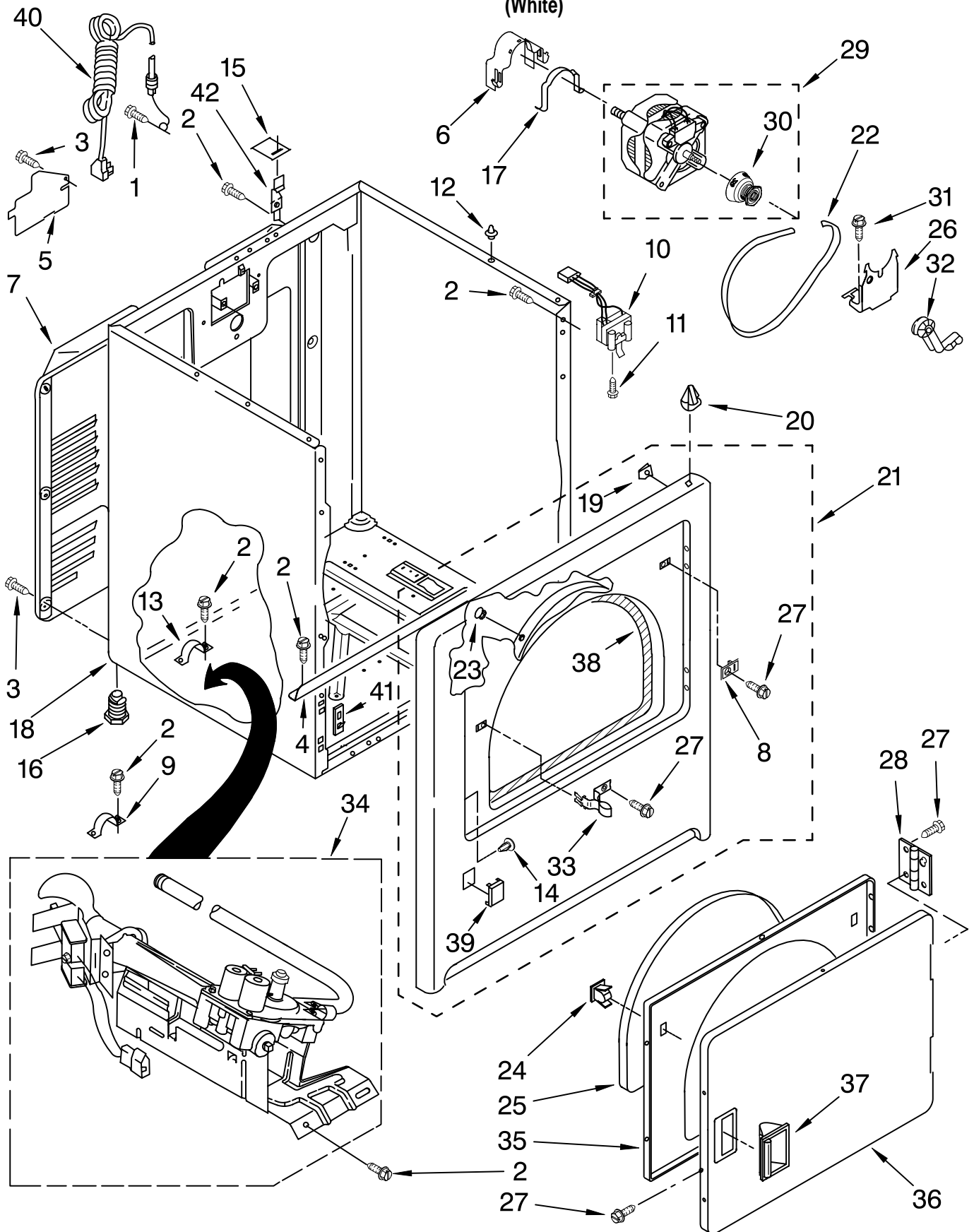
| Illus. No. | Part No. | DESCRIPTION | Illus. No. | Part No. | DESCRIPTION | Illus. No. | Part No. | DESCRIPTION |
|------------|-----------|------------------------------|------------|-----------|-----------------------------------|------------|-----------|---|
| 1 | | Literature Parts | 11 | 8536939 | Clip, Spring | 27 | 3403498 | Connector, 3-Position (Gas Valve) |
| | W10089171 | Sheet, Cycle Feature | 12 | 359625 | Screw, 8-18 x 1/2 | | | |
| | W10088775 | Use & Care Guide | 13 | 688983 | Screw, 8-18 x 5/8 | 28 | 3405156 | Switch Rotary (Twist Mount) |
| | 8578889 | Wiring Diagram | 14 | W10112599 | Top | 29 | 3395683 | Connector, Motor |
| 2 | W10113080 | Wire, Jumper (Buzzer On/Off) | 15 | 237446 | Washer (Top/chute) | 30 | 3936144 | Connector |
| 3 | 694419 | Buzzer, Mini | 16 | W10110996 | Harness, Wiring | 31 | 94614 | Terminal, Female |
| 4 | W10112603 | Seal, Harness | 17 | 717252 | Plug, 2-way | 32 | W10110035 | Knob, Control (3) |
| 5 | 8533971 | Screw, 8-18 x 5/8 | 18 | W10112578 | Bracket-Harness | 33 | 3347243 | Connector 6-Circuit |
| 6 | W10112577 | Panel, Rear Console | 19 | 3394427 | Clip-Harness | 34 | W10110036 | Timer, Knob |
| 7 | 3405155 | Switch, Temperature | 20 | 337686 | Screw, 8-18 x 3/4 | 35 | W10086733 | Console & Control Panel Assembly (Includes: Illus. 36 & 37) |
| 8 | W10117655 | Switch, Push-To-Start | 21 | 693995 | Screw, Hex Washer Head | 36 | 8312709 | Clip-Console |
| 9 | 8566184 | Timer Assembly 60 HZ. | 22 | 8558178 | Control, Electronic | 37 | W10112569 | Badge Assembly |
| 10 | 8565972 | Screen, Lint White | 23 | 3391885 | Connector, Edge | | | |
| | | | 24 | 3397269 | Connector-Timer | | | |
| | | | 25 | 3401144 | Connector, (PTS Relay) | | | |
| | | | 26 | 3403499 | Connector, 2-Position (Gas Valve) | | | |

FOR ORDERING INFORMATION REFER TO PARTS PRICE LIST

CABINET PARTS

For Model: MGD5830TW1

(White)



FOR ORDERING INFORMATION REFER TO PARTS PRICE LIST

CABINET PARTS

For Model: MGD5830TW1

(White)

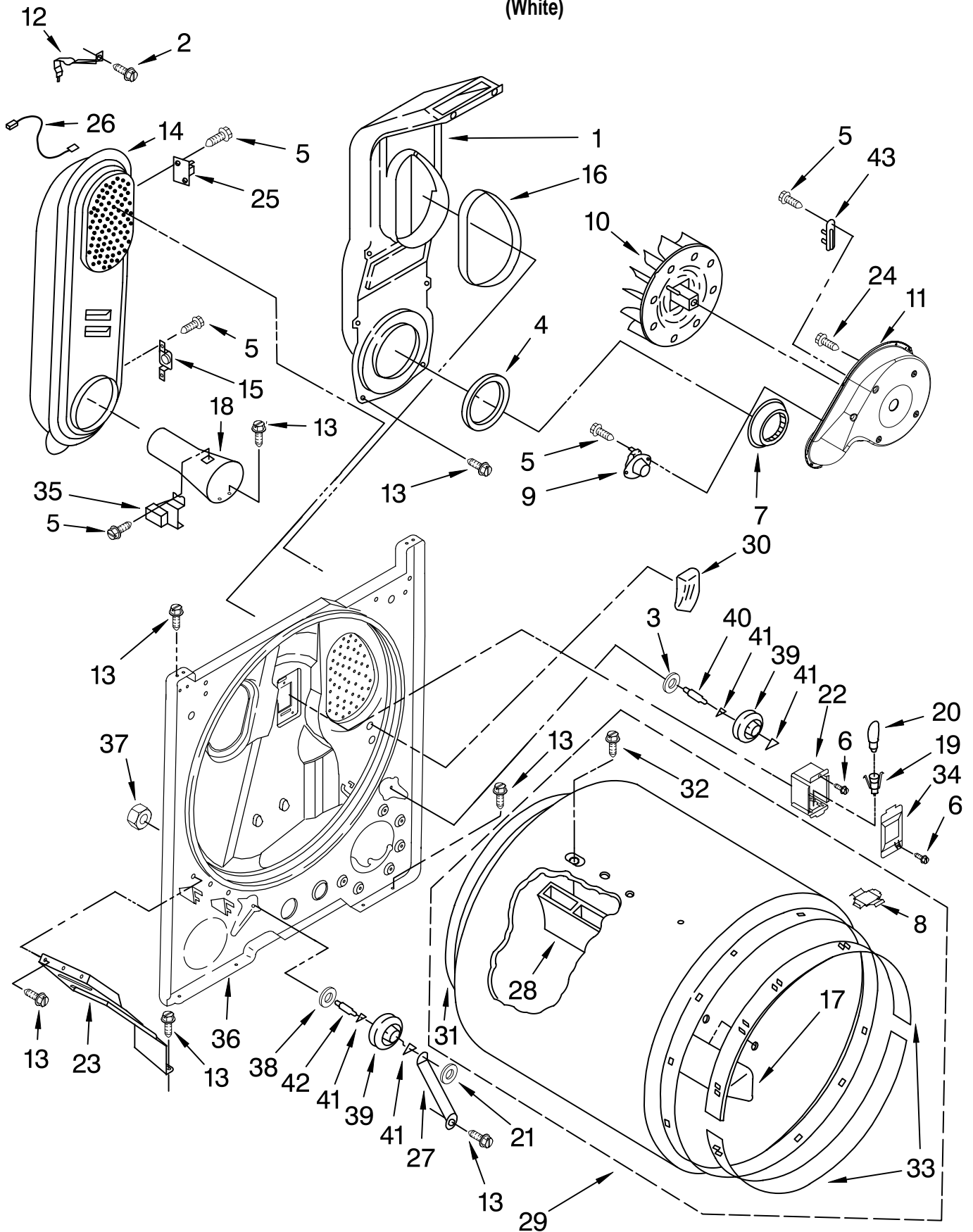
| Illus. No. | Part No. | DESCRIPTION | Illus. No. | Part No. | DESCRIPTION | Illus. No. | Part No. | DESCRIPTION |
|------------|----------|---|------------|-----------|-----------------------------------|------------|----------|--|
| 1 | 697776 | Screw, 10-32 x 5/8 (External Ground) | 17 | 660658 | Clamp, Motor | 31 | 3400500 | Bolt, 5/16-18 x 3/4 |
| 2 | 343641 | Screw, 10-16 x 1/2 | 18 | | Cabinet (Includes Illus. 4) | 32 | 691366 | Idler & Pulley Assembly |
| 3 | 693995 | Screw, Hex Head | | 8530603 | White | 33 | 3403431 | Strike, Panel |
| 4 | 8541400 | Bracket, Cabinet | 19 | 98234 | Clip, Ground (2) | 34 | 8318272 | Burner Assembly 60 Hz. (See Pages 7 & 8 For Futher Burner Breakdown) |
| 5 | 3396795 | Cover, Block | 20 | 18776 | Lock, Front Top (2) | | | |
| 6 | 3404162 | Clamp, Motor (W/Shield) | 21 | | Panel Front White | | | |
| 7 | 3396805 | Panel, Rear | | 3403447 | White | | | |
| 8 | 3403630 | Plug-Strike | 22 | W10131364 | Belt, Drive | 35 | 3402341 | Door, Rear |
| 9 | 3980175 | Clamp-Elbow | 23 | 685203 | Clip, Felt Pad (2) | 36 | | Door, Front |
| 10 | 3406107 | Door Switch Assembly | 24 | 3389441 | Catch, Door Assembly | | 3402335 | White Handle, Door |
| 11 | 697773 | Screw, 6-20 x 7/8 | 25 | 3405246 | Seal, Door | 37 | | White |
| 12 | 98669 | Locator, Top | 26 | 348780 | Base, Motor | | 8565970 | White |
| 13 | 341029 | Clamp-Pipe | 27 | 342055 | Screw, 8-18 x 1/2 | 38 | 3406129 | Seal & Bearing Assembly |
| 14 | 3404413 | Plug-Hole | 28 | 3405514 | Hinge, Door | | | Plug, Front Panel |
| 15 | 18849 | Pad, Top Hinge | 29 | 8066206 | Motor Assembly 60 HZ. | 39 | | White |
| 16 | 3392100 | Foot, Dryer | 30 | 8066184 | Pulley 60 Hz. | | 3394975 | White |
| | 279810 | Foot-Optional (Extended Length) (Package of 2) (Not Included.) | | | | 40 | 344020 | Cord, Power |
| | | | | | | 41 | 3394083 | Clip, Front Panel |
| | | | | | | 42 | 8066217 | Hinge, Top (2) |

FOR ORDERING INFORMATION REFER TO PARTS PRICE LIST

BULKHEAD PARTS

For Model: MGD5830TW1

(White)



FOR ORDERING INFORMATION REFER TO PARTS PRICE LIST

BULKHEAD PARTS

For Model: MGD5830TW1

(White)

| <u>Illus.</u> | <u>Part</u> | |
|---------------|-------------|--|
| <u>No.</u> | <u>No.</u> | <u>DESCRIPTION</u> |
| 1 | 348368 | Lint Chute Assembly |
| 2 | 489463 | Screw, 8-18 x 5/8 |
| 3 | 3388703 | Washer-Support |
| 4 | 347139 | Seal, Lint Chute |
| 5 | 90767 | Screw, 8-18 x 3/8 |
| 6 | 487909 | Screw, 8-15 x 1/2 |
| 7 | 696302 | Shield, Exhaust |
| 8 | 8066086 | Drum Hole Plug |
| 9 | 8318268 | Thermostat, Internal-Bias |
| 10 | 694089 | Wheel, Blower |
| 11 | 8577230 | Housing, Blower |
| 12 | 3398161 | Clip |
| 13 | 343641 | Screw, 10-16 x 1/2 |
| 14 | 8530285 | Box, Heater |
| 15 | 3403140 | Thermostat, 205°F (96°C) |
| 16 | 339956 | Seal |
| 17 | 3403636 | Baffle, Drum (1) |
| 18 | 8066049 | Funnel, Burner |
| 19 | W10136369 | Socket Assembly |
| 20 | 3406126 | Bulb |
| 21 | 90296 | Clip |
| 22 | 3977373 | Bracket, Drum Light |
| 23 | 3406022 | Bracket, Bulkhead |
| 24 | 3390647 | Screw, 8-18 x 1/2 |
| 25 | 280010 | Kit, Thermal Cut-Off (Includes Illus. 15) |
| 26 | 3401707 | Wire, Jumper |
| 27 | 3976434 | Bracket, Support |
| 28 | 692490 | Baffle, Drum (2) |
| 29 | 695587 | Drum Assembly |
| 30 | 3976479 | Pad, Sensor |
| 31 | 3406130 | Seal, Rear Drum |
| 32 | W10109200 | Screw, 11-16 X 3/4 |
| 33 | 692526 | Ring, Bearing |
| 34 | 3402841 | Lens, Drum Light |
| 35 | 338906 | Sensor, Radiant |
| 36 | 3403414 | Bulkhead |
| 37 | 3359452 | Nut, 3/8-16 |
| 38 | 348197 | Washer, Support |
| 39 | 3397590 | Roller, Support |
| 40 | 3399507 | Shaft R.H. |
| 41 | 690997 | Ring, Tri |
| 42 | 3399506 | Shaft L.H. |
| 43 | 3392519 | Thermal Fuse (91C) |

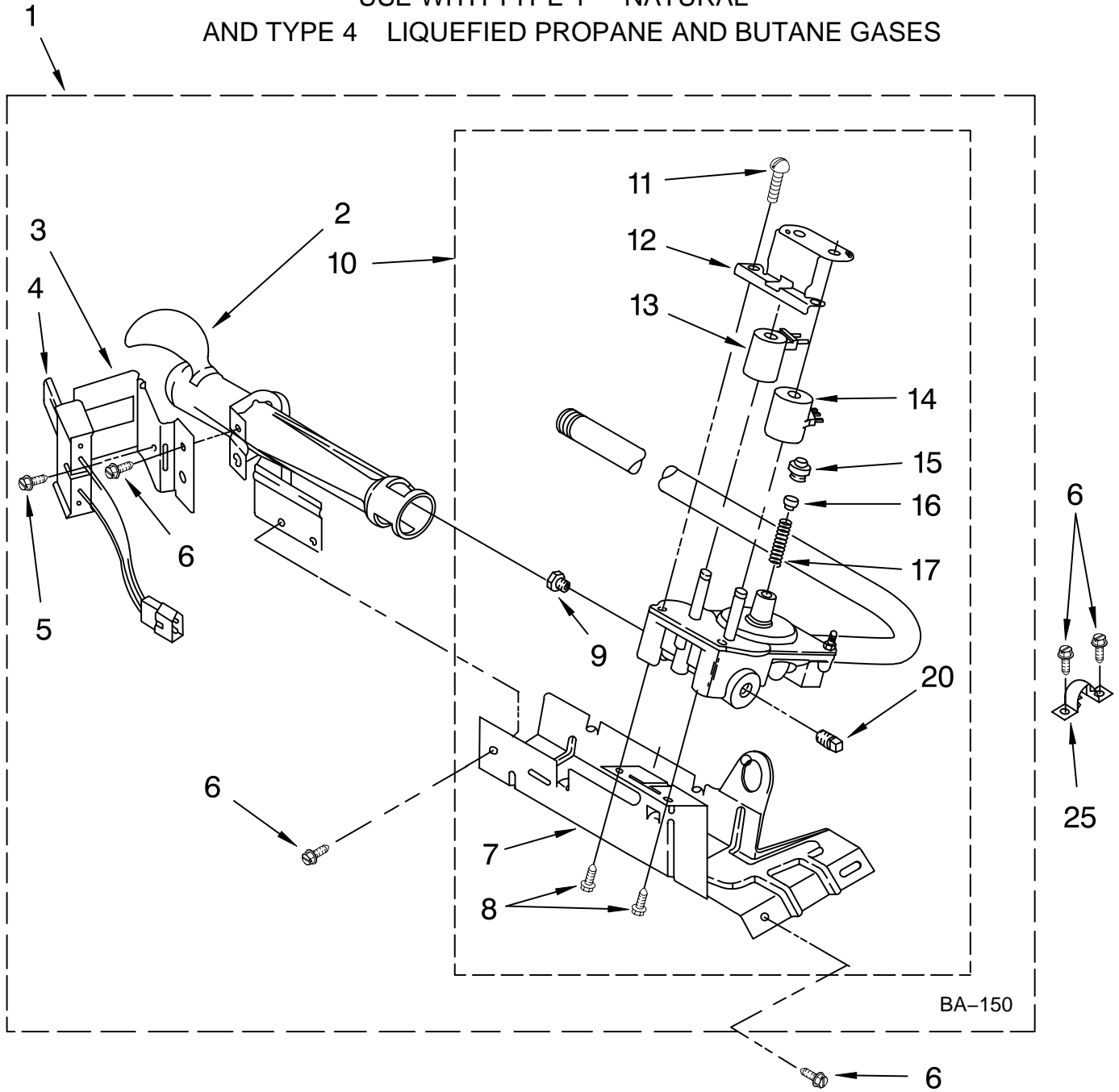
FOR ORDERING INFORMATION REFER TO PARTS PRICE LIST

8318272 BURNER ASSEMBLY

For Model: MGD5830TW1

(White)

USE WITH TYPE 1 – NATURAL
AND TYPE 4 LIQUEFIED PROPANE AND BUTANE GASES



FOR ORDERING INFORMATION REFER TO PARTS PRICE LIST

8318272 BURNER ASSEMBLY

For Model: MGD5830TW1

(White)

USE WITH TYPE 1 – NATURAL
AND TYPE 4 LIQUEFIED PROPANE AND BUTANE GASES

| Illus. No. | Part No. | DESCRIPTION |
|------------|----------|---|
| 1 | 8318272 | Burner Assembly 60 Hz. (Type 1) (White Rodgers) |
| 2 | 688617 | Tube, Burner |
| 3 | 694298 | Bracket, Ignitor |
| 4 | 686590 | Ignitor |
| 5 | 3393909 | Screw & Washer (8-32 x 5/8) |
| 6 | 343641 | Screw, 10-16 x 1/2 |
| 7 | 693986 | Base, Burner |
| 8 | 3387057 | Screw, 8-18 x 3/8 |
| 9 | | Orifice, Burner 234826 Type 1 229742 Type 4 (Butane) 234868 Type 4 (Propane) |
| 10 | 8318277 | Valve, 60 Hz. (Includes Pipe & Illus. #7) |
| 11 | 694421 | Screw, 8-32 x 1/2 (2) |
| 12 | 694538 | Bracket, Coil |
| 13 | 694540 | Coil, 60 Hz. (2 Terminal) (Main) |
| 14 | 694539 | Coil, 60 Hz. (Split) (3 Terminal) (Pilot Position) |
| 15 | 694424 | Leak Limiter |
| 16 | 694423 | Screw, Regulator Adjustment |
| 17 | 694422 | Spring, Regulator |
| 20 | 239822 | Plug, Pipe |
| 25 | 341029 | Clamp, Pipe |

Following Parts Not Illustrated

694572 Conversion Kit
(Type 1)
to Type (4) L.P.G.

BA-150

FOR ORDERING INFORMATION REFER TO PARTS PRICE LIST

OPTIONAL PARTS (NOT INCLUDED)

For Model: MGD5830TW1

(White)

| Illus. | Part | |
|---------------|-------------|--------------------|
| No. | No. | DESCRIPTION |

ACCESSORY PARTS

| | |
|---------|---|
| 279948 | Kit, Dryer Repair |
| 346764 | Kit, Hold-Down (Gas Dryer Mobile Home Installation) |
| 3406839 | Dry Rack |
| 8522199 | Kit, Dryer Vent Testing |

PAINT, TOUCH-UP (1/2oz.)

| | |
|---------|---------|
| 72017 | White |
| 4392899 | Biscuit |

PAINT, PRESSURIZED SPRAY (12 oz.)

| | |
|---------|--------------|
| 350930 | White |
| 4392901 | Biscuit |
| 350938 | Primer, Gray |

PAINT, BULK (1 qt.)

| | |
|---------|-----------------|
| 799344 | White (Uncut) |
| 4392900 | Biscuit (Uncut) |

FOR ORDERING INFORMATION REFER TO PARTS PRICE LIST