

TOP AND CONSOLE PARTS

For Model: MGD5600TQ1
(White)

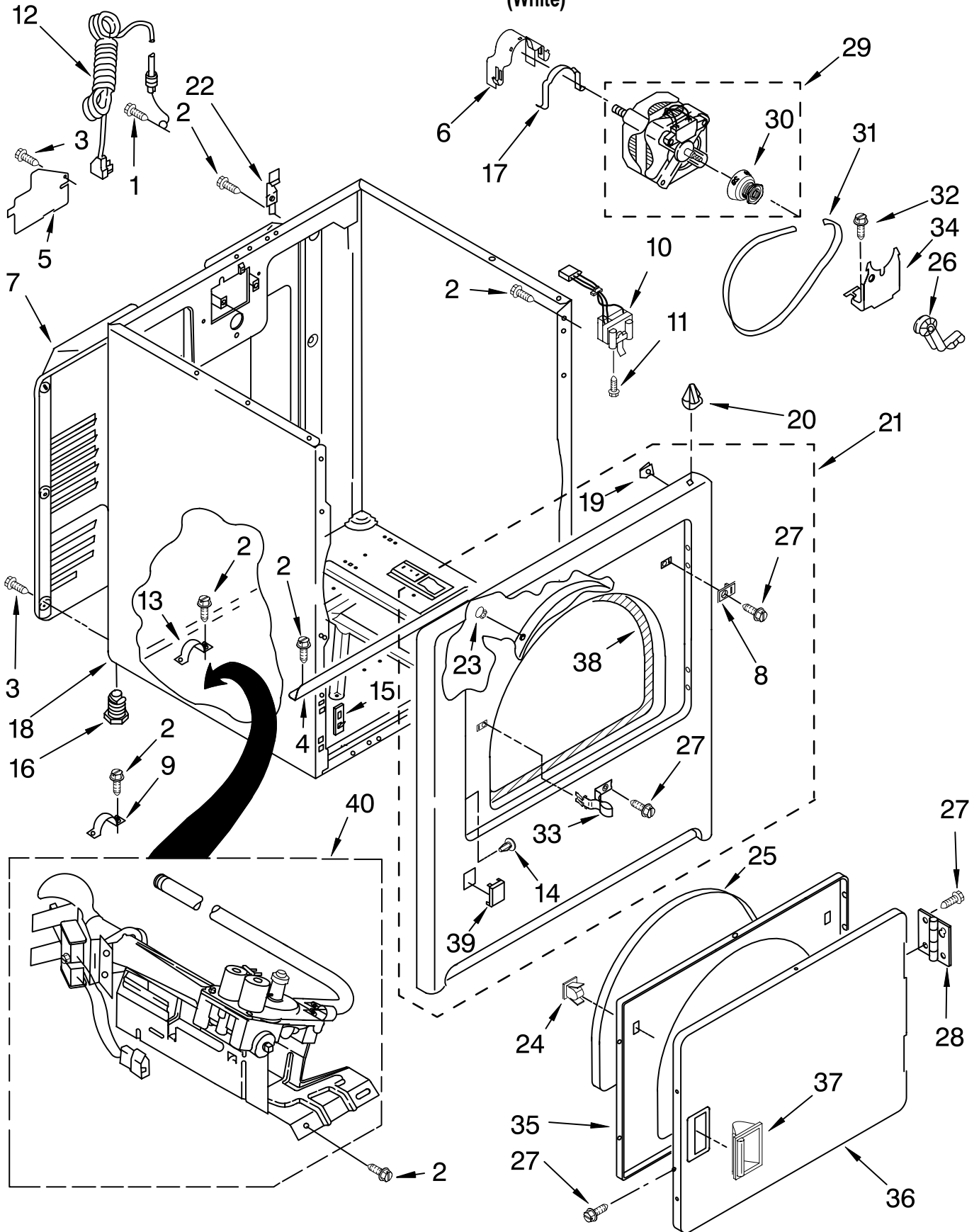
Illus. No.	Part No.	DESCRIPTION
1		Literature Parts
	W10088775	Use & Care Guide
	8578217	Wiring Diagram
	W10089170	Sheet, Cycle Feature
2	W10113080	Wire, Jumper Mini-Buzzer
3	694419	Buzzer, Mini
4	W10112578	Bracket, Harness
5	717252	Plug, 2-Way Terminal
6	W10112577	Panel, Rear Console
7	3399639	Switch, Temperature
8	8312709	Clip-Console (2)
9	693995	Screw, Hex Washer Head
10	8565972	Screen, Lint
11	8536939	Clip, Spring
12	8533971	Screw, 8-18 x 5/16
13	688983	Screw, 8-18 x 5/8
14	W10110861	Wire, Jumper (Temperature)
15	3395683	Connector (Motor)
16	W10112597	Top
17	359625	Screw, 8-18 x 1/2
18	W10110029	Knob, Control (2)
19	3394427	Clip-Harness
20	3936144	Connector
21	8299765	Timer Assembly (60 Hz.)
22	3397269	Connector-Timer
23	3401144	Connector, (PTS Relay)
24	3403499	Connector, 2-Position (Gas Valve)
25	3403498	Connector, 3-Position (Gas Valve)
26	W10086704	Console & Control Panel Assembly (Includes, Illus. 6 & 30)
27	W10117655	Switch, Push-To-Start
28	W10110030	Timer-Knob Assembly
29	94614	Terminal, Female
30	W10112569	Badge-Assembly
31	W10110992	Harness, Wiring
32	W10112603	Seal-Harness
33	3347243	Connector 6-Circuit

FOR ORDERING INFORMATION REFER TO PARTS PRICE LIST

CABINET PARTS

For Model: MGD5600TQ1

(White)



FOR ORDERING INFORMATION REFER TO PARTS PRICE LIST

CABINET PARTS

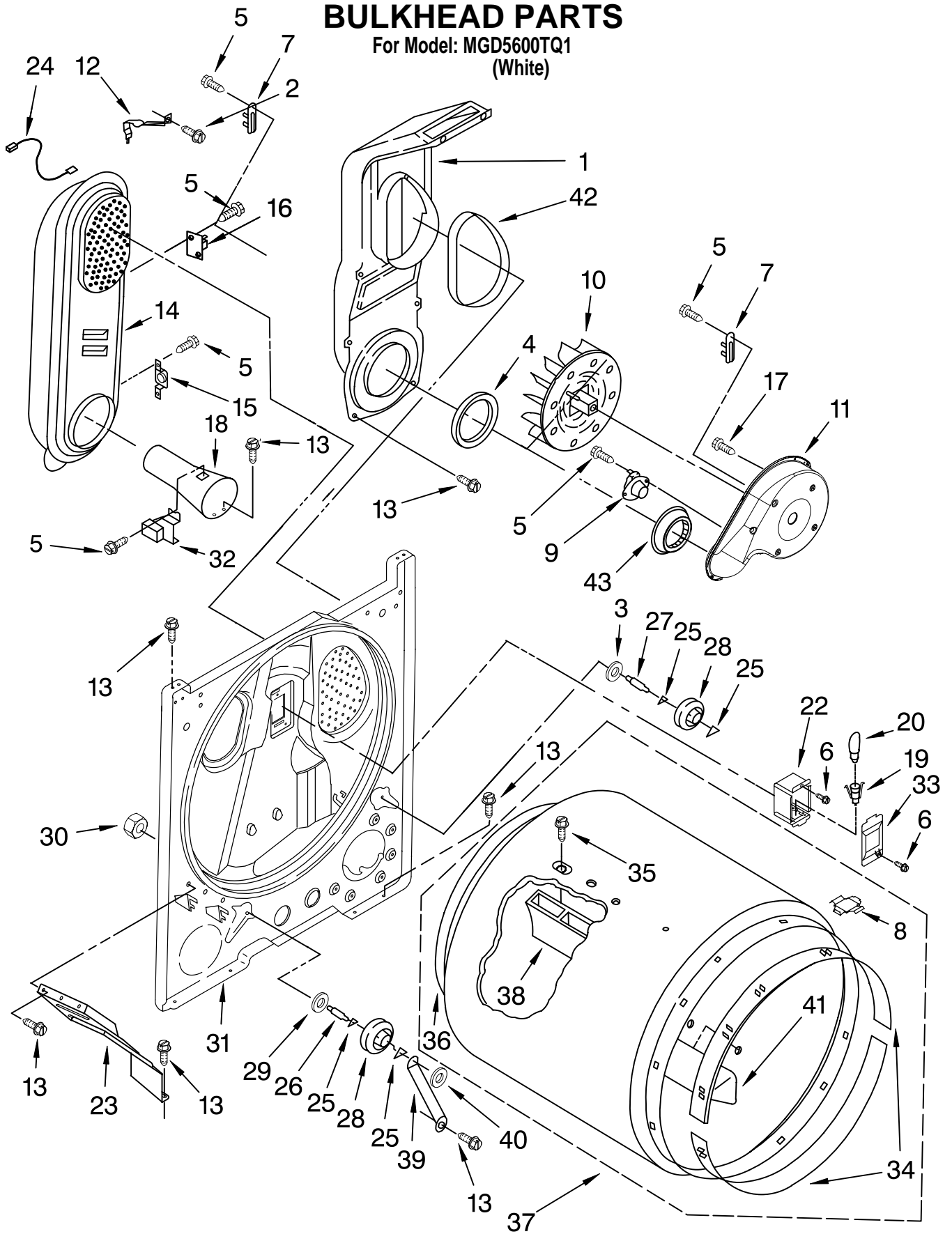
For Model: MGD5600TQ1
(White)

Illus. No.	Part No.	DESCRIPTION
1	697776	Screw, 10-32 x 5/8 (External Ground)
2	343641	Screw, 10-16 x 1/2
3	693995	Screw, Hex Head
4	8541400	Bracket, Cabinet
5	3396795	Cover, Block
6	3404162	Clamp, Motor (W/Shield)
7	3396805	Panel, Rear
8	3403630	Clip,
9	3980175	Clamp-Elbow
10	3406107	Door Switch Assembly
11	697773	Screw, 6-20 x 7/8
12	344020	Cord, Power
13	341029	Clamp, Pipe
14	3404413	Plug-Hole
15	3394083	Clip, Front Panel
16	3392100	Foot, Dryer
	279810	Foot-Optional (Extended Length) (Package of 2) (Not Included.)
17	660658	Clamp, Motor
18	8530603	Cabinet (Includes Illus. 4)
19	98234	Clip, Ground (2)
20	690363	Lock, Front Top (2)
21	3403447	Panel Front
22	8066217	Hinge, Top (2)
23	685203	Clip, Felt Pad (2)
24	3389441	Catch, Door Assembly
25	3405246	Seal, Door
26	691366	Idler & Pulley Assembly
27	342055	Screw, 8-18 x 1/2
28	3405514	Hinge, Door
29	8066206	Motor Assembly
30	8066184	Pulley-60 Hz.
31	8066065	Belt, Drive
32	3400500	Bolt, 5/16-18 x 3/4
33	3403431	Strike, Panel
34	348780	Base, Motor
35	3402341	Door, Rear
36	3402335	Door, Front
37	8565970	Handle, Door
38	3406129	Seal & Bearing Assembly
39	3394975	Plug, Front Panel
40	8318272	Burner, Assembly 60 HZ. (See Pages 7 & 8 For Further Burner Breakdown)

FOR ORDERING INFORMATION REFER TO PARTS PRICE LIST

BULKHEAD PARTS

For Model: MGD5600TQ1
(White)



FOR ORDERING INFORMATION REFER TO PARTS PRICE LIST

BULKHEAD PARTS

For Model: MGD5600TQ1
(White)

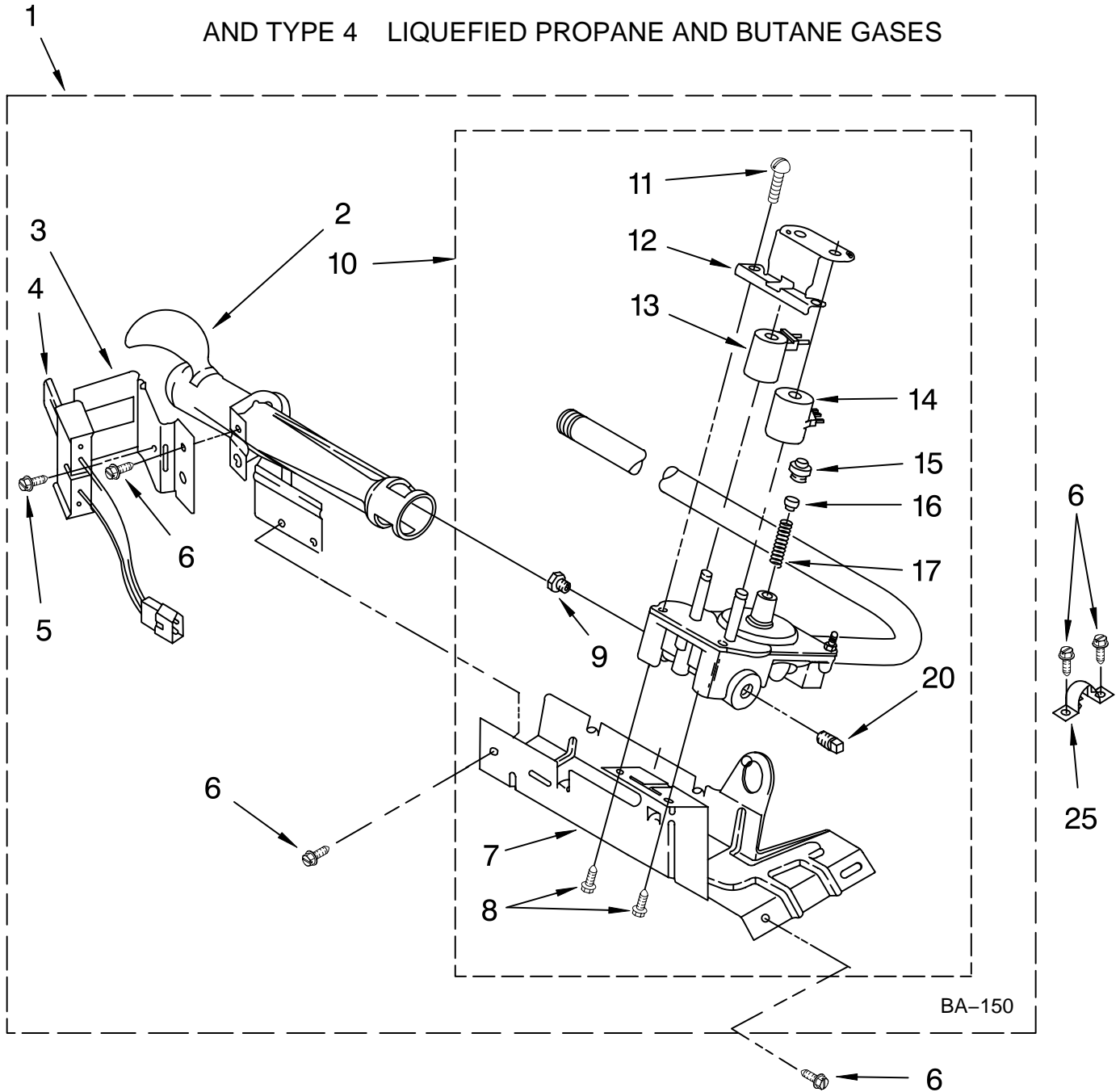
Illus. No.	Part No.	DESCRIPTION
1	348368	Lint Chute Assembly
2	489463	Screw, 8-18 x 5/8
3	3388703	Washer-Support
4	347139	Seal, Lint Chute
5	90767	Screw, 8-18 x 3/8
6	487909	Screw, 8-15 x 1/2
7	3392519	Thermal-Fuse (91C)
8	8066086	Drum Hole Plug
9	3387134	Thermostat, Internal-Bias
10	694089	Wheel, Blower
11	8577230	Housing, Blower
12	3398161	Clip
13	343641	Screw, 10-16 x 1/2
14	8530285	Box, Heater
15	3403140	Thermostat, 205°F (96°C)
16	280010	Kit, Thermal Cut-Off (Includes Illus. 15)
17	3390647	Screw, 8-18 x 1/2
18	8066049	Funnel, Burner
19	3403634	Socket Assembly
20	3406124	Bulb
22	3977373	Bracket, Drum Light
23	3406022	Bracket, Bulkhead
24	3401707	Wire, Jumper
25	690997	Ring, Tri
26	3399506	Shaft, L.H.
27	3399507	Shaft, R.H.
28	3397590	Roller, Support
29	348197	Washer, Support
30	3359452	Nut, 3/8-16
31	3403413	Bulkhead
32	338906	Sensor, Radiant
33	3402841	Lens, Drum Light
34	692526	Ring, Bearing
35	W10109200	Screw, 11-16 x 3/4
36	3406130	Seal, Rear Drum
37	695587	Drum Assembly
38	692490	Baffle, Drum (2)
39	3976434	Bracket, Support
40	90296	Clip
41	3403636	Baffle, Drum (1)
42	339956	Seal
43	696302	Shield, Exhaust

FOR ORDERING INFORMATION REFER TO PARTS PRICE LIST

8318272 BURNER ASSEMBLY

For Model: MGD5600TQ1
(White)

AND TYPE 4 LIQUEFIED PROPANE AND BUTANE GASES



FOR ORDERING INFORMATION REFER TO PARTS PRICE LIST

8318272 BURNER ASSEMBLY

For Model: MGD5600TQ1
(White)

USE WITH TYPE 1 – NATURAL
AND TYPE 4 LIQUEFIED PROPANE AND BUTANE GASES

Illus. No.	Part No.	DESCRIPTION
1	8318272	Burner Assembly 60 Hz. (Type 1) (White Rodgers)
2	688617	Tube, Burner
3	694298	Bracket, Ignitor
4	686590	Ignitor
5	3393909	Screw & Washer (8-32 x 5/8)
6	343641	Screw, 10-16 x 1/2
7	693986	Base, Burner
8	3387057	Screw, 8-18 x 3/8
9		Orifice, Burner Type 1 234826 Type 4 (Butane) 229742 Type 4 (Propane) 234868
10	8318277	Valve, 60 Hz. (Includes Pipe & Illus. #7)
11	694421	Screw, 8-32 x 1/2 (2)
12	694538	Bracket, Coil
13	694540	Coil, 60 Hz. (2 Terminal) (Main)
14	694539	Coil, 60 Hz. (Split) (3 Terminal) (Pilot Position)
15	694424	Leak Limiter
16	694423	Screw, Regulator Adjustment
17	694422	Spring, Regulator
20	239822	Plug, Pipe
25	341029	Clamp, Pipe

Following Parts Not Illustrated

694572 Conversion Kit
(Type 1)
to Type (4) L.P.G.

BA-150

FOR ORDERING INFORMATION REFER TO PARTS PRICE LIST

OPTIONAL PARTS (NOT INCLUDED)

For Model: MGD5600TQ1
(White)

Illus.	Part	
No.	No.	DESCRIPTION

ACCESSORY PARTS

279948	Kit, Dryer Repair
346764	Kit, Hold-Down (Gas Dryer Mobile Home Installation)
8522199	Kit, Dryer Vent Testing
3406839	Dry Rack

PAINT, TOUCH-UP (1/2oz.)

72017	White
4392899	Biscuit

PAINT, PRESSURIZED SPRAY (12 oz.)

350930	White
4392901	Biscuit
350938	Primer, Gray

PAINT, BULK (1 qt.)

799344	White (Uncut)
4392900	Biscuit (Uncut)

FOR ORDERING INFORMATION REFER TO PARTS PRICE LIST