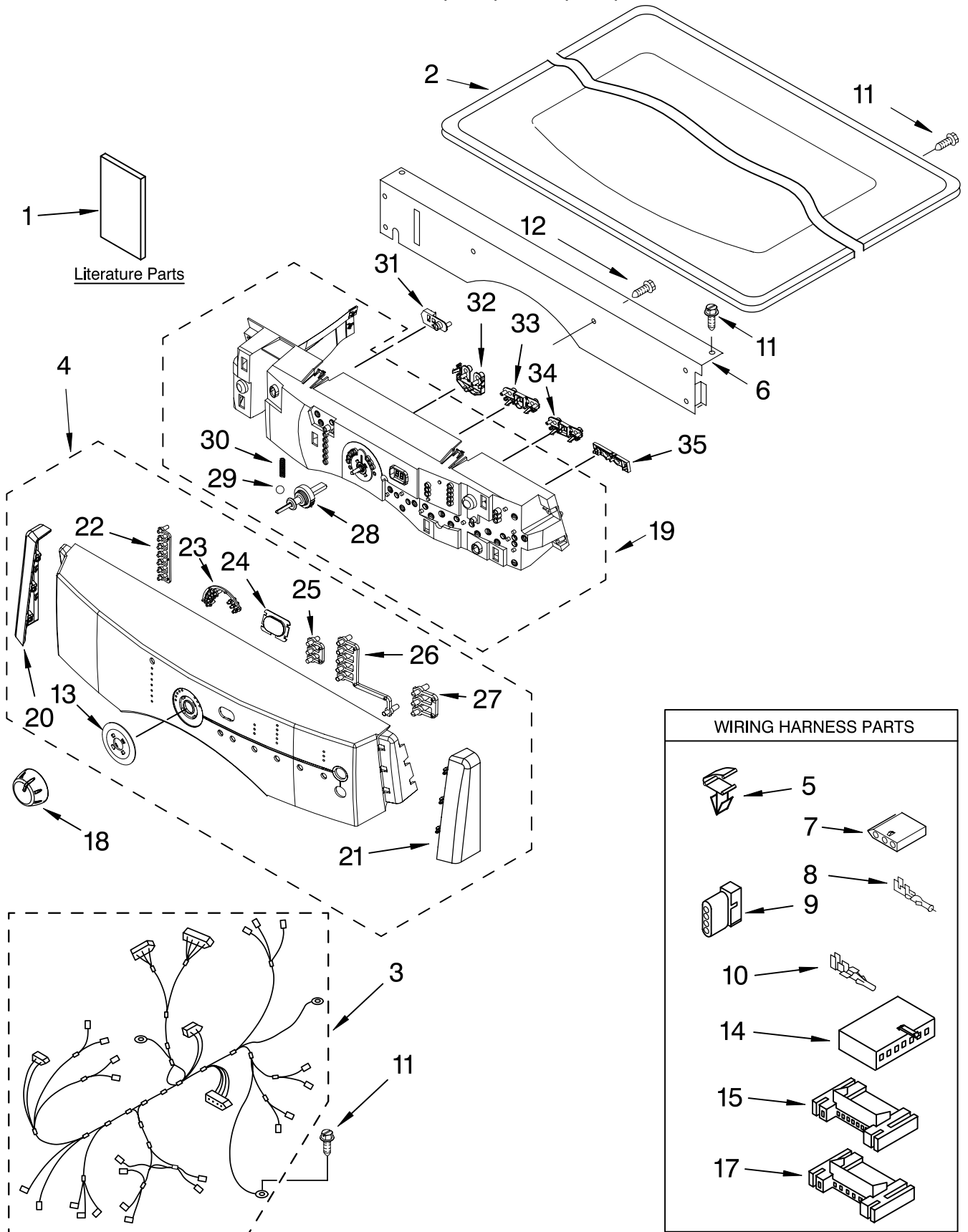


For Models: MED9700SQ0, MED9700SB0  
(White) (Black)



FOR ORDERING INFORMATION REFER TO PARTS PRICE LIST

# TOP AND CONSOLE PARTS

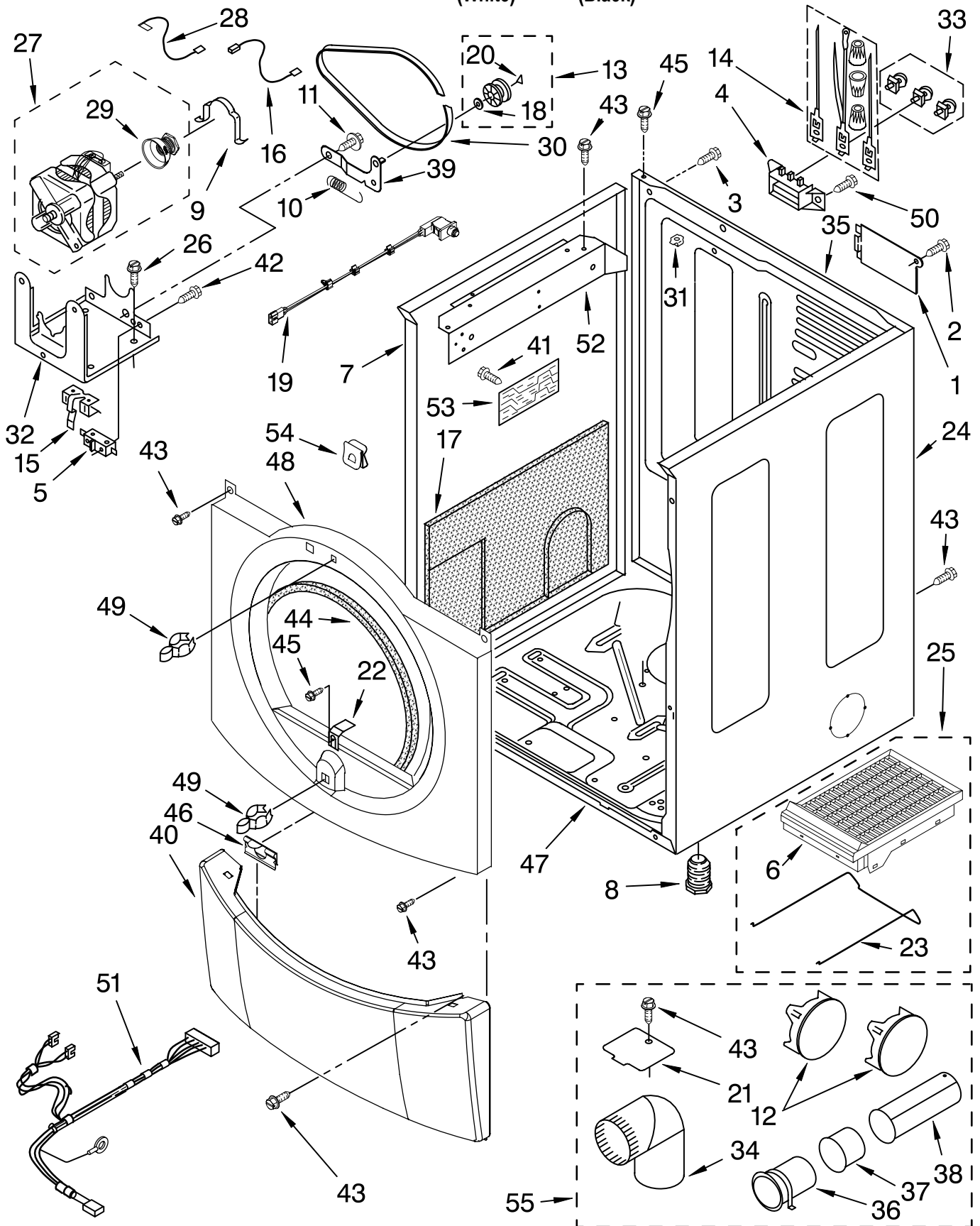
For Models: MED9700SQ0, MED9700SB0  
(White) (Black)

Illus. No.	Part No.	DESCRIPTION	Illus. No.	Part No.	DESCRIPTION	Illus. No.	Part No.	DESCRIPTION
1	W10150616	Literature Parts Use & Care Guide	15	3395683	Connector, (Motor)	27	8542686	Light Indicator (XCare/EOC)
	8563816	Tech Sheet	17	2203186	Connector, 5-Circuit	28	8542717	Shaft, Cycle Selector
	W10099080	GUIDE, QUICK START	18		Knob Assembly	29	8542716	Bearing, Knob
2		Top		W10133964	White	30	8542715	Spring, Knob
	8519251	White		8580138	Black	31		Pushbutton, (Control)
	8579997	Black	19	8558455	User Interface (Includes Illus. 28, 29 & 30)		W10133970	Silver
3	8576530	Harness, Main Panel, Console (Includes Bezel, Light Indicators & Endcaps)					8580140	Silver (For Black Model)
4			20		EndCap(LH)	32		Pushbutton, (Drytime)
	W10098940	White		8562598	White		W10100390	White
	W10098960	Black		8580135	Black		8579989	Silver
5	3394427	Clip, Harness	21		EndCap (RH)	33		Pushbutton, (Dryness/Temp)
6	8519271	Bracket, Console		8562597	White		8562604	White
7	353424	Connector, Sensor	22	8542682	Light Indicator (Status)		8579991	Silver
8	94614	Terminal	23	8542683	Light Indicator (Cycle)	34		Pushbutton, (XCare/EOC)
9	3936144	Plug, Terminal	24	8542691	Lens, Display		8562605	White
10	94613	Terminal	25	8542684	Light Indicator (Dryness Level)		8579993	Silver
11	3390647	Screw, 8-18 x 1/2	26	8542685	Light Indicator (Temperature)	35		Pushbutton (Start/Cancel)
12	488886	Screw, 8-18 x 1/2					W10133971	Silver
13	8542690	Bezel, Cycle					8579994	Silver (For Black Model)
14	3936150	Connector, 7-Circuit						

FOR ORDERING INFORMATION REFER TO PARTS PRICE LIST

# CABINET PARTS

For Models: MED9700SQ0, MED9700SB0  
(White) (Black)



FOR ORDERING INFORMATION REFER TO PARTS PRICE LIST

# CABINET PARTS

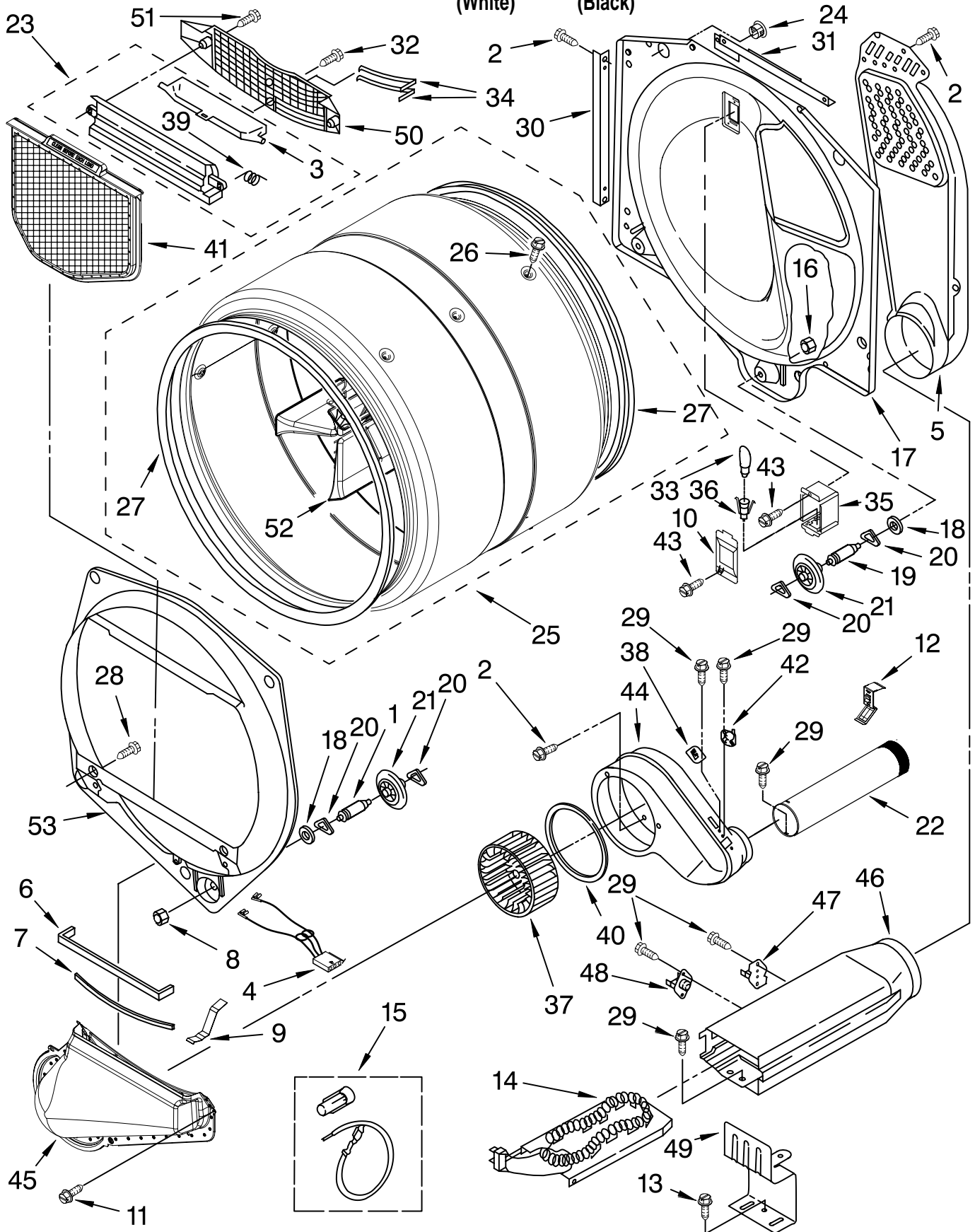
For Models: MED9700SQ0, MED9700SB0  
(White) (Black)

Illus. No.	Part No.	DESCRIPTION	Illus. No.	Part No.	DESCRIPTION	Illus. No.	Part No.	DESCRIPTION
1	8576583	Cover, Terminal Block	18	W10121334	Washer, Thrust	39	3388674	Idler Bracket
2	3390814	Screw, 8-18 x 3/8	19	W10128087	Assembly, Door Switch	40		Toe Panel
3	8533974	Screw, 10-32 x 5/8 (Ground)	20	690997	Tri Ring		W10116271	White
4	3397659	Block, Terminal	21	8066115	Cover-Plate		W10116273	Black
5	3394881	Switch, Broken Belt	22	8529053	Ramp, Door	41	3400826	Screw, 8-18 x 3/4
6	8521959	Dry Rack (Top)	23	8521961	Dry Rack Support	42	98129	Screw, 6-20 x 1 1/16
7		Panel, Side (L.H.)	24		Panel, Side (R.H.)	43	3390647	Screw, 8-18 x 1/2
	W10138989	White		W10139003	White	44	3387242	Seal, Front Panel
	W10138996	Black		W10139010	Black	45	3393008	Screw, 10-16 x 1/2
8	3392100	Foot, Dryer	25	8521957	Dry Rack Assembly	46	8519459	Clip, Toe Panel
	279810	Foot - Optional (Extended Length Package Of 2) (Not Included)	26	343641	Screw, 10-16 x 1/2	47	8519207	Base, Cabinet
9	660658	Clamp, Motor (2)	27	8538263	Motor, Assembly 60 HZ.	48		Front Panel (Includes Illus. 44)
10	3387374	Spring, Idler	28	3398948	Wire, Jumper (Broken Belt Switch)		8565907	White
11	3389420	Retainer, Idler	29	8578220	Pulley 60 HZ.		8579974	Black
12		Plug, Multivent	30	3387610	Belt, Drive	49	696144	Strike, Door (2)
	697750	White	31	692400	Nut, Push-In	50	359625	Screw, 8-18 x 1/2
	8557570	Meteorite	32	3387118	Bracket, Motor	51	8299925	Harness, Digital Interface
	3388309	Black	33	279393	Terminal Block Screw Kit (For Terminal Block)	52	8519273	Bracket, Control
13	3388672	Pulley Assembly	34	49026	4" - 90° Elbow	53	8546219	Control Board
14	279318	Terminal, Brass & Tinned (3) (Includes Illus. 33)	35	W10133207	Panel, Rear	54	62825	Clip-S Type
15	8066120	Lever, Snap Switch	36	8563747	Exhaust Pipe & Bracket	Optional Parts Not Included		
16	W10167612	Wire, Belt Switch	37	8563750	Exhaust Pipe (Short)	Dryer Exhaust Kit		
17	W10128772	Sound Panel	38	8563749	Exhaust Pipe (Long)	(For Side & Bottom Venting)		
						55	279818	White
							280028	Meteorite
							279820	Black

FOR ORDERING INFORMATION REFER TO PARTS PRICE LIST

# BULKHEAD PARTS

For Models: MED9700SQ0, MED9700SB0  
(White) (Black)



FOR ORDERING INFORMATION REFER TO PARTS PRICE LIST

# BULKHEAD PARTS

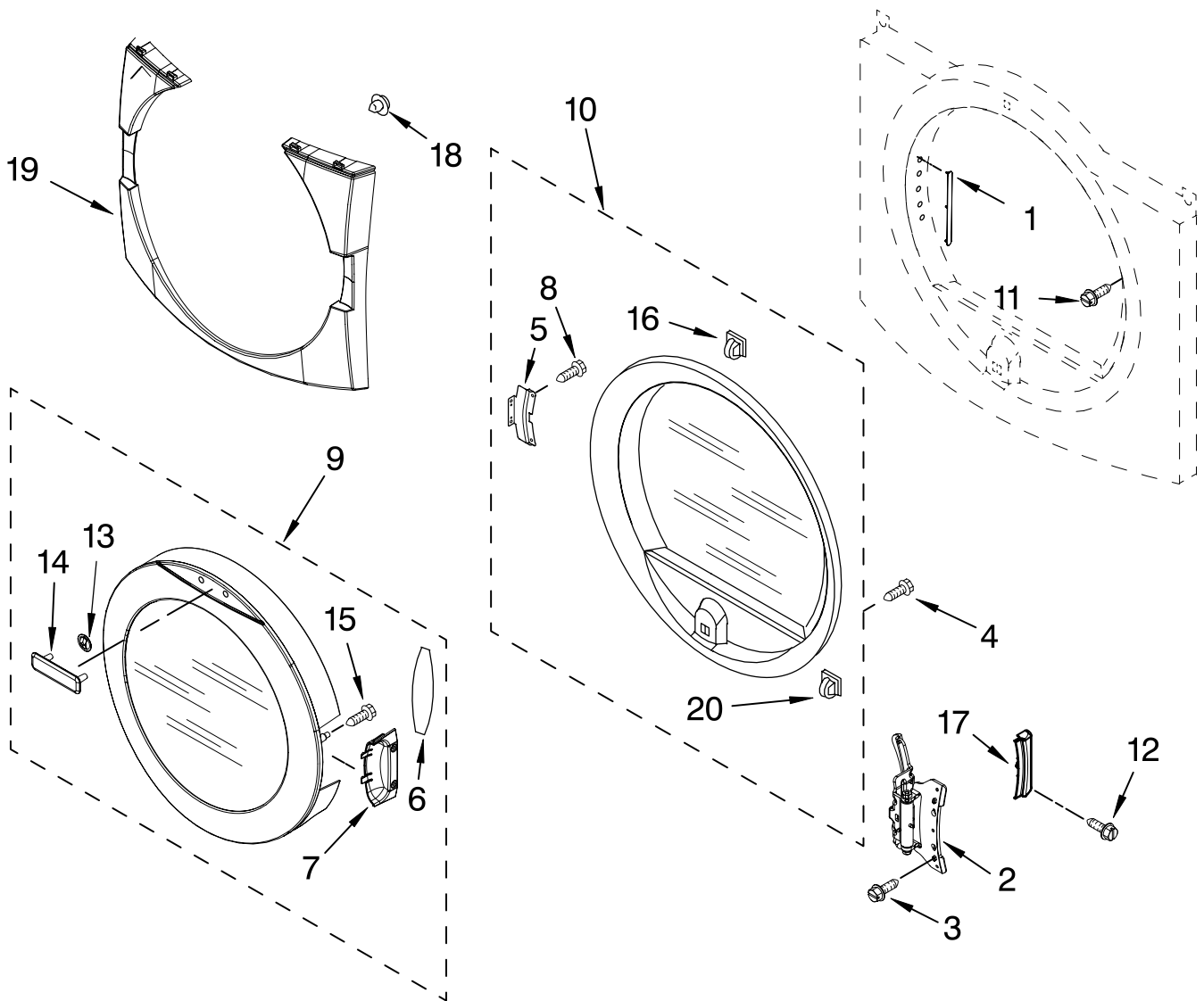
For Models: MED9700SQ0, MED9700SB0  
(White) (Black)

Illus. No.	Part No.	DESCRIPTION	Illus. No.	Part No.	DESCRIPTION	Illus. No.	Part No.	DESCRIPTION
1	8575324	Shaft, R.H. Thread	16	W10001120	Nut	36	W10136369	Socket Assembly
2	3390647	Screw, 8-18 x 1/2	17	8520836	Bulkhead, Rear	37	697772	Wheel, Blower
3	3394984	Door, Lint Screen	18	3387459	Washer, Support	38	3392519	Thermal Fuse
4	3406653	Harness, Sensor	19	8575325	Shaft, L.H. Thread	39	3394986	Spring, Lint Screen Door
5	697354	Air Duct Assembly	20	690997	Ring, Tri	40	697770	Seal, Cover Plate
6	697813	Seal, Outlet Housing	21	8536973	Roller, Support	41	W10049370	Lint Screen
7	697814	Seal, Drum Front	22	8563745	Exhaust Pipe	42	8577274	Thermistor
8	3934666	Nut	23	3394985	Housing, Outlet	43	487909	Screw, 8-15 x 1/2
9	8066208	Clip-Spring	24	8529007	Plug, Rear Bulkhead	44	8544362	Housing, Blower
10	3402841	Lens, Drum Light	25	W10113138	Complete Drum Assembly	45	8066168	Lint Duct Assembly
11	489463	Screw, 8-18 x 5/8	26	W10109200	Screw, 11-16 x 3/4	46	3392537	Heater Box
12	8572105	Clip, Exhaust Pipe	27	W10166807	Seal, Drum	47	8318314	Thermal Cut-Off (Includes Illus. 48)
13	90767	Screw, 8-18 x 3/8	28	695240	Screw, 8-18 x 1/2	48	3391914	Thermostat 295°F (146°C)
14	3387747	Heater Element	29	8533971	Screw, 8-18 x 5/16	49	8066099	Bracket, Heater Box
15	279457	Terminal Wire Kit (For Heater Element Wiring Harness Repair)	30	8519221	Channel Bracket, Rear Bulkhead (2)	50	8299979	Grill, Outlet
			31	8571651	Bracket, Upper Rear Bulkhead	51	3387230	Screw, 10-16 x 1
			32	3357011	Screw, 10-16 x 1/2	52	W10113136	Baffle, Drum
			33	3406124	Bulb, Light	53	8519245	Bulkhead, Front
			34	3387223	Electrode, Sensor			
			35	3977373	Bracket, Drum Light			

FOR ORDERING INFORMATION REFER TO PARTS PRICE LIST

# DOOR PARTS

For Models: MED9700SQ0, MED9700SB0  
(White) (Black)



Illus. No.	Part No.	DESCRIPTION
1	8563855	Plug-Strip Hinge Hole
2	W10111141	Door Hinge Assembly
3	W10159996	Screw, 10-24 x 3/64
4	9742177	Screw, 8-18 x 5/8
5	8529539	Bracket, Handle
6	8541011	Pad, Door Handle
7	W10133974	White Handle, Door
	8557268	Black
8	3393008	Screw, 10-16 x 1/2

Illus. No.	Part No.	DESCRIPTION
9		Door & Window Assembly (Includes Illus. 6, 7, 13 & 14)
	W10133985	White
	W10098830	Black
10	8557501	Inner Door Assembly (Includes Illus. 5, 8, 16 & 20)
11	355515	Screw, 8-18 x 11/16
12	3400859	Screw, 8-18 x 7/32

Illus. No.	Part No.	DESCRIPTION
13	8558182	Nut, Push-On (2)
14	W10116209	Medallion
15	8533957	Screw
16	690081	Catch, Door Assembly (1)
17		Cover-Hinge, Rotating
	8566486	White
	8579980	Black
18	8547091	Clip, Trim Panel
19		Trim & Clip Assembly
	8562596	White
	8579981	Black
20	3389441	Catch, Door Assembly (1)

FOR ORDERING INFORMATION REFER TO PARTS PRICE LIST

# OPTIONAL PARTS (NOT INCLUDED)

For Models: MED9700SQ0, MED9700SB0  
(White) (Black)

<u>Illus.</u>	<u>Part</u>	
<u>No.</u>	<u>No.</u>	<u>DESCRIPTION</u>

## PAINT, TOUCH-UP (1/2oz.)

	72017	White
	4396603	Meteorite
	72032	Black

## PAINT, PRESSURIZED SPRAY (12 oz.)

	350930	White
	350938	Primer, Gray
	786020	Black

## ACCESSORY PARTS

	8529894	Kit, Hold Down
	8522199	Kit, Dryer Vent Testing
	8541503	Kit, Stack Assembly
	80047	Kit, Dryer Repair