

DRYER

Repair Parts List

MODEL NUMBER

MDE4000AYQ

When requesting service or ordering parts, always provide the following information:

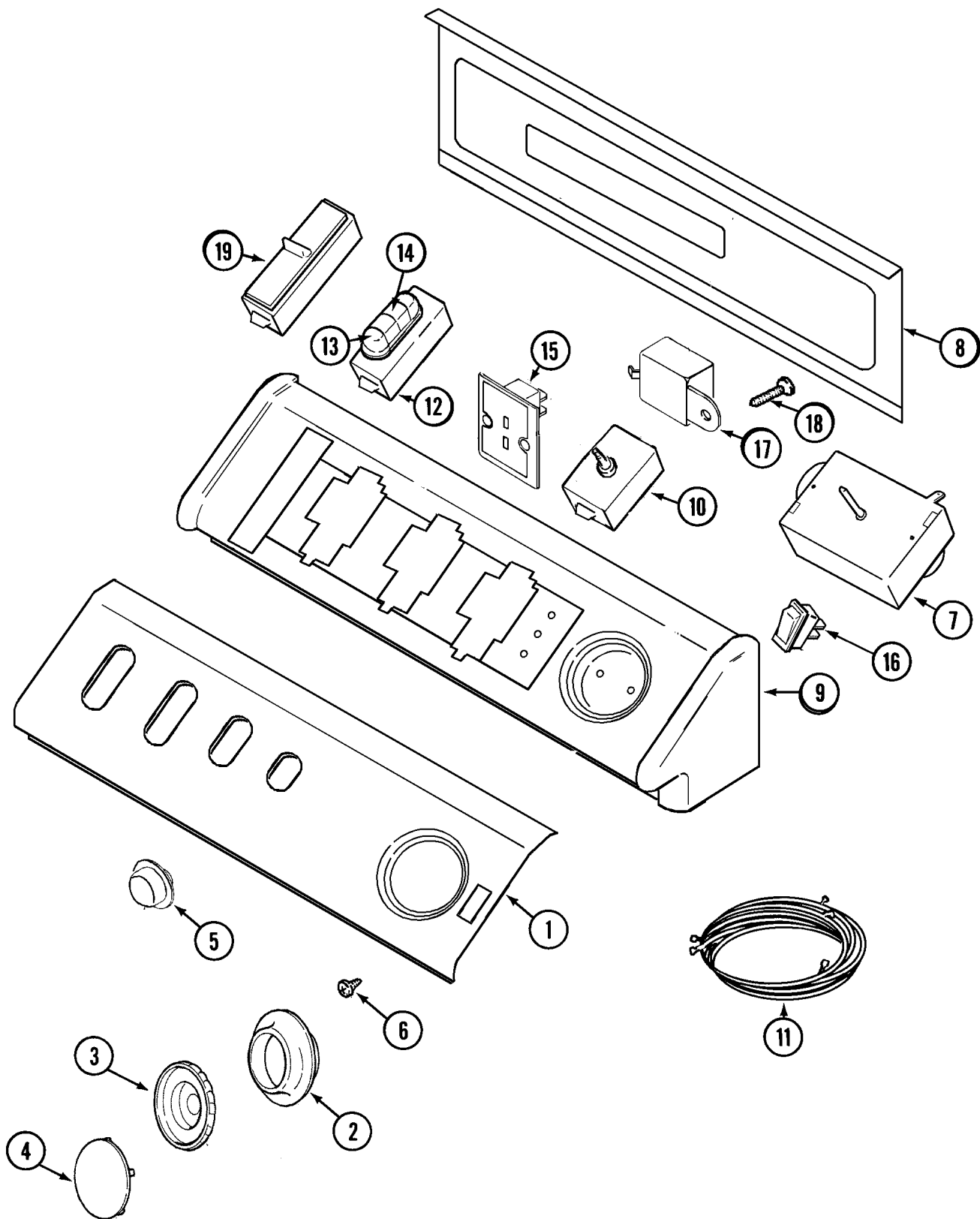
- Product Type
- Part Number
- Model Number
- Part Description

MAYTAG®

©2005 Maytag Services

Section: CONTROL PANEL

Model: MDE4000AYQ



LD11-88

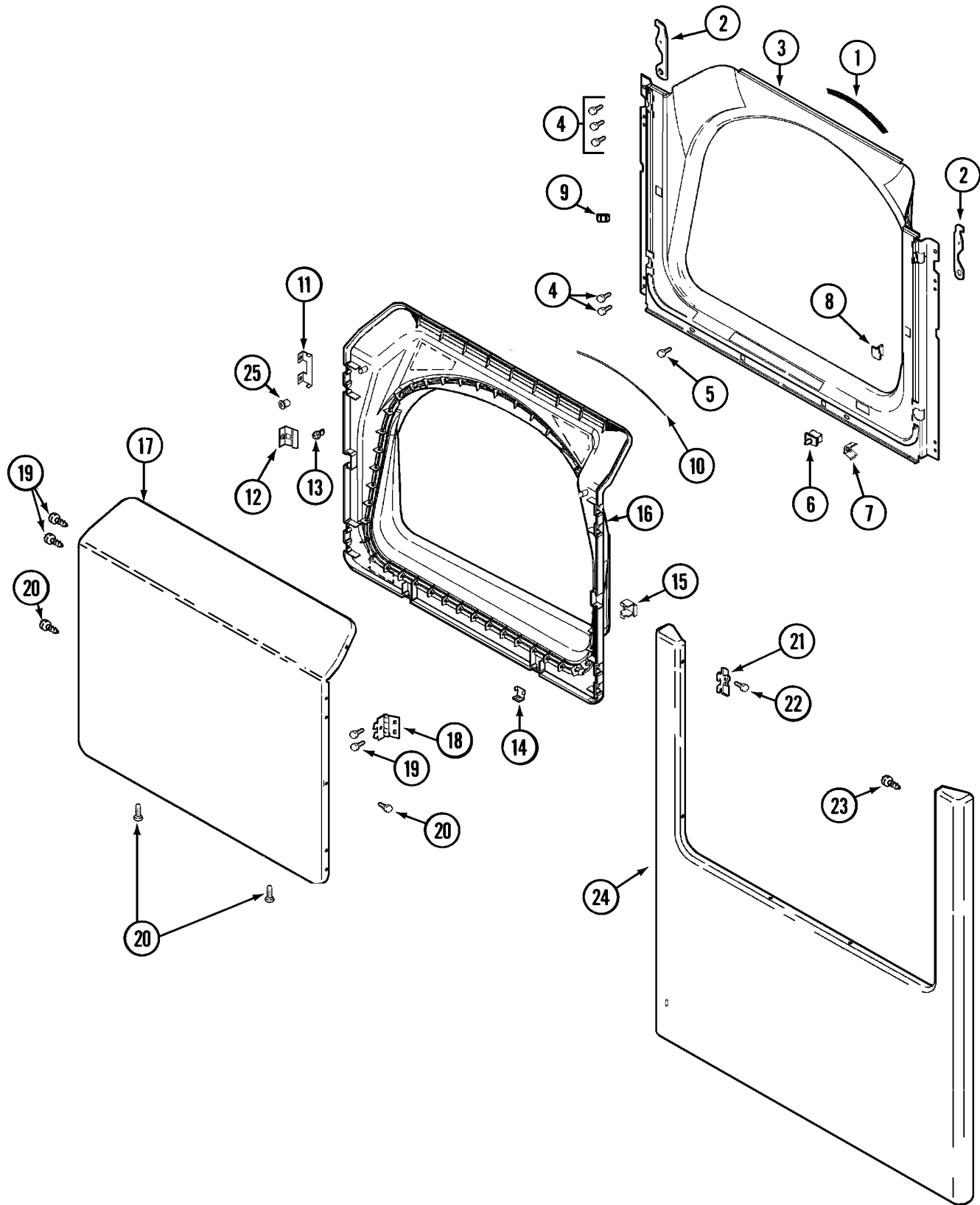
Section: CONTROL PANEL

No.	Part No.	Description	Series	Qty
-	22002339	SCREW Note: SCREW, CONTROL PANEL	10	3
1	33002423	PANEL, CONTROL (BSQ) Note: (BISQ)	10	1
2	33002346	SKIRT, TIMER DIAL (BSQ) Note: (BISQ)	10	1
3	22001659	TIMER KNOB - GREY	10	1
4	33002347	TIMER KNOB INSERT/CAP Note: (BISQ)	10	1
5	33002435	BUTTON, PUSH-TO-START (BSQ) Note: (BISQ)	10	1
6	33001690	SCREW, TIMER	10	2
7	33001730	TIMER	10	1
7	33002676	TIMER, ELECTRONIC DRY	41	1
-	216423	SCREW	10	2
8	22002529	CONSOLE BACK PANEL	10	1
9	33002327	CONSOLE (BSQ) Note: (BISQ)	10	1
10	33002356	SWITCH, PUSH-TO-START (BSQ) Note: (BISQ)	10	1
11	33002419	WIRE HARNESS, MAIN Note: WIRE HARNESS, MAIN (ELEC)	10	1
12	33002415	SWITCH, OPTION 4 POS (BSQ) Note: (BSQ)	10	1
13	22002697	BUTTON, SWITCH (BSQ-END) Note: (BISQ)	10	2
14	22002698	BUTTON, SWITCH (BSQ-MDL) Note: (BISQ)	10	2
15	33002400	DRYNESS DISPLAY CONTROL (BSQ) Note: (BISQ)	10	1
16	33002418	2 POS. ROCKER SWITCH (BSQ) Note: (BISQ)	10	1
17	33001848	SIGNAL, END OF CYCLE (CHIME)	10	1
18 N	33001860	SCREW, END OF CYCLE----NA	10	1
19	33002338	SWITCH, TEMPERATURE (BSQ) Note: (BISQ)	10	1
20	22001403	LIGHT, INDICATOR (250V)	10	1
20	22001948	LENS, INDICATOR LIGHT	10	1
-	33002427	MANUAL, USE & CARE (FRCH)	10	1
-	33002426	MANUAL, USE & CARE	10	1
-	16009968	MANUAL, SLOPED-FRONT DRYER	10	1

*Color Code (-)=Not Shown #=Series, Serial Prefix or Run No., N=Not Available

Section: DOOR

Model: MDE4000AYQ



CD12-11

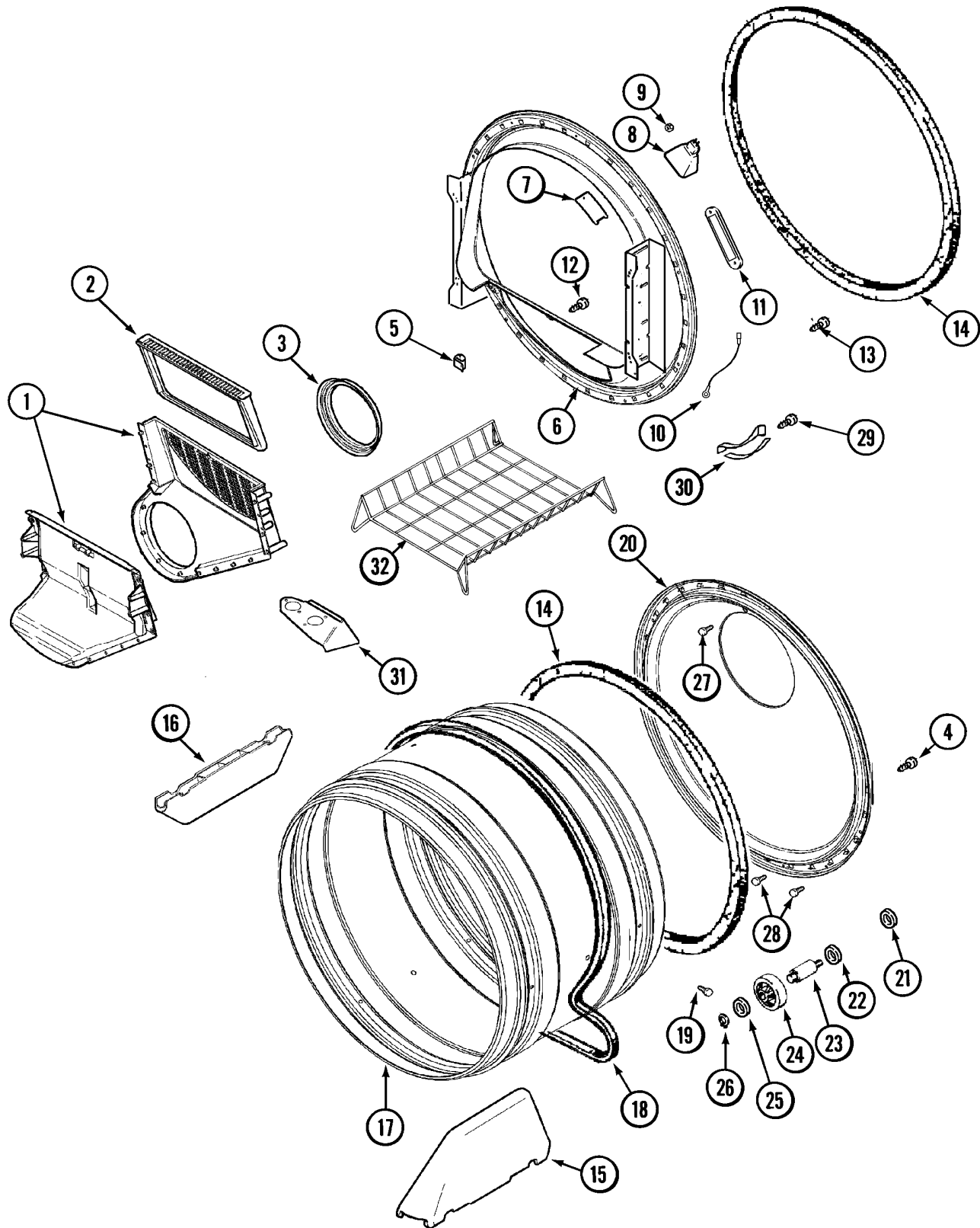
Section: DOOR

No.	Part No.	Description	Series	Qty
1	33001767	SEAL, SHROUD	10	1
2	33002386	SECURITY HOOK	10	2
3	33002379	SHROUD (BSQ) Note: (BISQ)	10	1
4	22001995	SCREW Note: SCREW, TUMBLER FRONT & SHROUD	10	8
5	33001768	SCREW, SHROUD Note: SCREW, SHROUD & OUTLET DUCT	10	2
6	33001508	SWITCH, DOOR	10	1
7	33001760	BRACKET, HINGE	10	4
8	N 33001174	PLUG, DOOR CATCH	10	1
-	33001791	CATCH, DOOR (W/PLUG)	10	1
9	304578	CATCH, DOOR (FEMALE)	10	1
10	33002094	SEAL, DOOR	10	1
11	22002038	CLIP, DOOR (DOUBLE)	10	4
12	33001793	BRACKET, STRIKE	10	1
13	33001761	STRIKE, DOOR (MALE)	10	1
14	22002039	CLIP, DOOR (SINGLE)	10	2
15	33001763	PLUG, INNER DOOR	10	1
-	22002351	WIRE HARNESS, MAIN	10	2
-	22002039	CLIP, DOOR (SINGLE)	10	2
16	33002397	DOOR, INNER/ W SEAL (BSQ) Note: (BISQ)	10	1
-	33002351	SCREW (#8-18 OUTER DOOR (BSQ)	10	2
17	22002661	PANEL, DOOR (BSQ W/MEDALLION) Note: (BISQ)	10	1
-	22001817	SHEET, SOUND DAMPER (FT. PNL)	10	1
18	33001759	HINGE, DOOR	10	2
19	22002062	SCREW	10	4
20	33002351	SCREW (#8-18 OUTER DOOR (BSQ) Note: (BISQ)	10	1
21	33002349	COVER, HINGE HOLE (BSQ) Note: (BISQ)	10	2
22	33001787	SCREW, HINGE Note: SCREW, HINGE HOLE COVER	10	2
23	22002012	SCREW, HINGE Note: SCREW, HINGE BRACKET	10	2
24	33002396	PANEL, FRONT (BSQ) Note: (BISQ)	10	1
25	33001771	BUSHING, INNER DOOR	10	2

*Color Code (-)=Not Shown #=Series, Serial Prefix or Run No., N=Not Available

Section: TUMBLER

Model: MDE4000AYQ



CD16-27

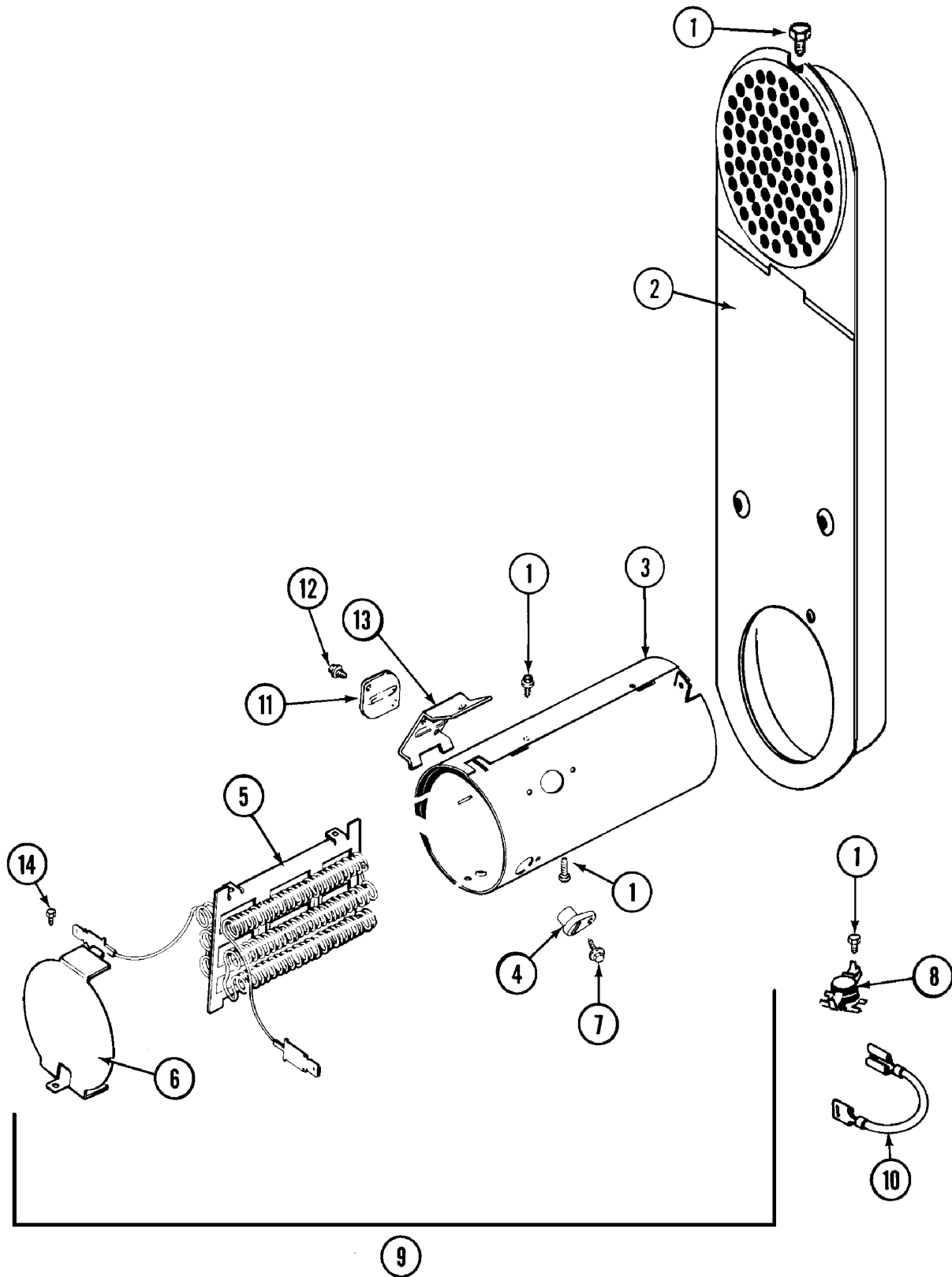
Section: TUMBLER

No.	Part No.	Description	Series	Qty
1	33001799	OUTLET DUCT ASSEMBLY Note: OUTLET DUCT ASSEMBLY	10	1
2	33001808	FILTER, LINT	10	1
3	33001758	SEAL, BLOWER	10	1
4	33002190	SCREW (#10-3/8")	10	4
5	310376	CLIP, WIRE HARNESS	10	1
6	33001868	FRONT, TUMBLER FRONT W/SENSOR Note: FRONT, TUMBLER (W/SEAL) (INCL. SENSOR/ LIGHT ASSY)	10	1
-	33001871	SCREW Note: SCREW, DRUM LIGHT	10	1
7	33001869	LENS, DRUM LIGHT	10	1
-	22002263	LAMP (10 WATT)	10	1
8	N 33001870	HOLDER, LAMP (W/HOUSING) Note: LAMP (W/HOUSING & HOLDER)	10	1
9	214872	PALNUT, END CAP Note: NUT, LAMP HOLDER	10	1
-	211294	SCREW Note: SCREW, GROUND WIRE SENSOR	10	1
10	303711	SENSOR GROUND WIRE Note: SENSOR, GROUND WIRE	10	1
-	22001078	SCREW Note: SCREW, SENSOR BAR ASSEMBLY	10	2
11	33001809	SENSOR BAR ASSY.	10	1
12	N 312311	SCREW----NA Note: SCREW, OUTLET DUCT (PHILLIPS)	10	1
13	33001855	SCREW (HEX HEAD) Note: SCREW, DUCT TO TUMBLER (HEX)	10	4
14	33001807	SEAL, TUMBLER	10	2
15	33001756	BAFFLE (TALL)	10	2
16	33001755	BAFFLE (SHORT)	10	1
17	33001889	TUMBLER	10	1
18	33001777	BELT, TUMBLER	10	1
19	33001788	SCREW, BAFFLE	10	6
20	33001801	BACK, TUMBLER (W/SEAL)	10	1
21	33001443	NUT, HEX (ROLLER SHAFT)	10	2
22	313347	WASHER, SPRING (ROLLER SHAFT)	10	2
23	312948	SHAFT, TUMBLER ROLLER	10	2
24	303373	BEARING & ROLLER ASSEMBLY	10	2
25	312535	WASHER, ROLLER SHAFT	10	2
26	410233	RING, RETAINING	10	2
27	210932	SCREW, #8 X 9/16 CTSK	10	1
28	22001996	SCREW	10	2
29	210720	RIVET	10	4
30	306508	TUMBLER BEARING KIT	10	2
31	33001837	COVER, THERMOSTAT (ELEC ONLY)	10	1
32	33001917	RACK, DRYING	10	1

*Color Code (-)=Not Shown #=Series, Serial Prefix or Run No., N=Not Available

Section: HEATER

Model: MDE4000AYQ



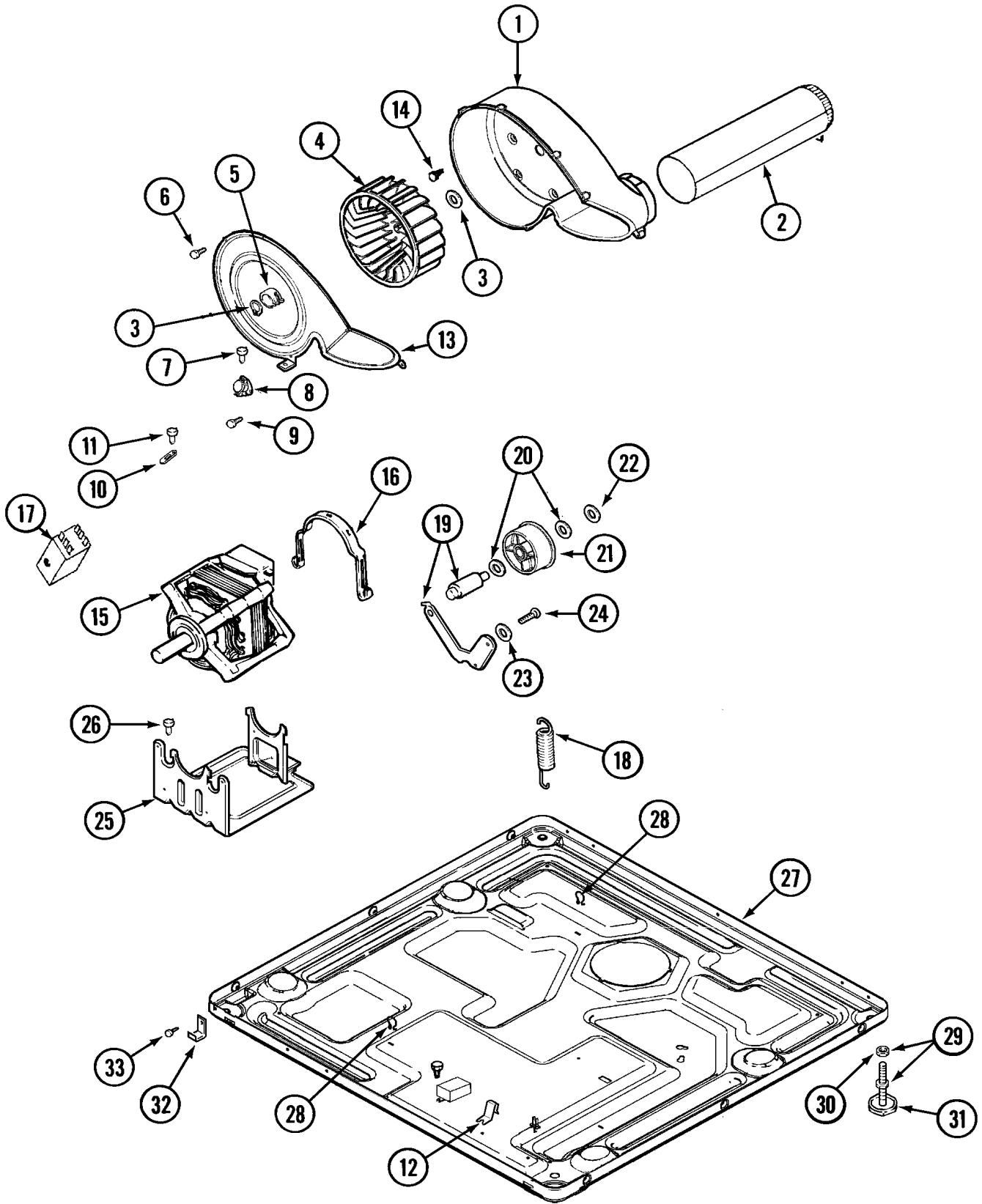
Section: HEATER

No.	Part No.	Description	Series	Qty
1	211294	SCREW Note: SCREW, HEATER	10	1
2	33001803	DUCT ASSY., INLET	10	1
3	314995	HEATER ENCLOSURE	10	1
4	314998	INSULATOR, TERMINAL	10	2
5	307184	HEATER SUB-ASSEMBLY (240V)	10	1
6	314999	SHIELD, RADIANT	10	1
7	N 314554	SCREW Note: SCREW, TERMINAL INSULATOR	10	2
8	303396	THERMOSTAT, HI-LIMIT (ELEC)	10	1
9	307178	HEATER ASSEMBLY(COMPLETE 240V)	10	1
10	307173	WIRE, JUMPER	10	1
11	307473	FUSE, THERMAL	10	1
12	N 33001860	SCREW, END OF CYCLE----NA Note: SCREW, THERMAL FUSE	10	3
13	315346	BRACKET, THERMAL FUSE	10	1
-	308590	CONVERSION KIT (240V TO 208V)	10	1
14	22001996	SCREW Note: SCREW, RADIANT SHIELD	10	2

*Color Code (-)=Not Shown #=Series, Serial Prefix or Run No., N=Not Available

Section: MOTOR DRIVE

Model: MDE4000AYQ



LD11-85

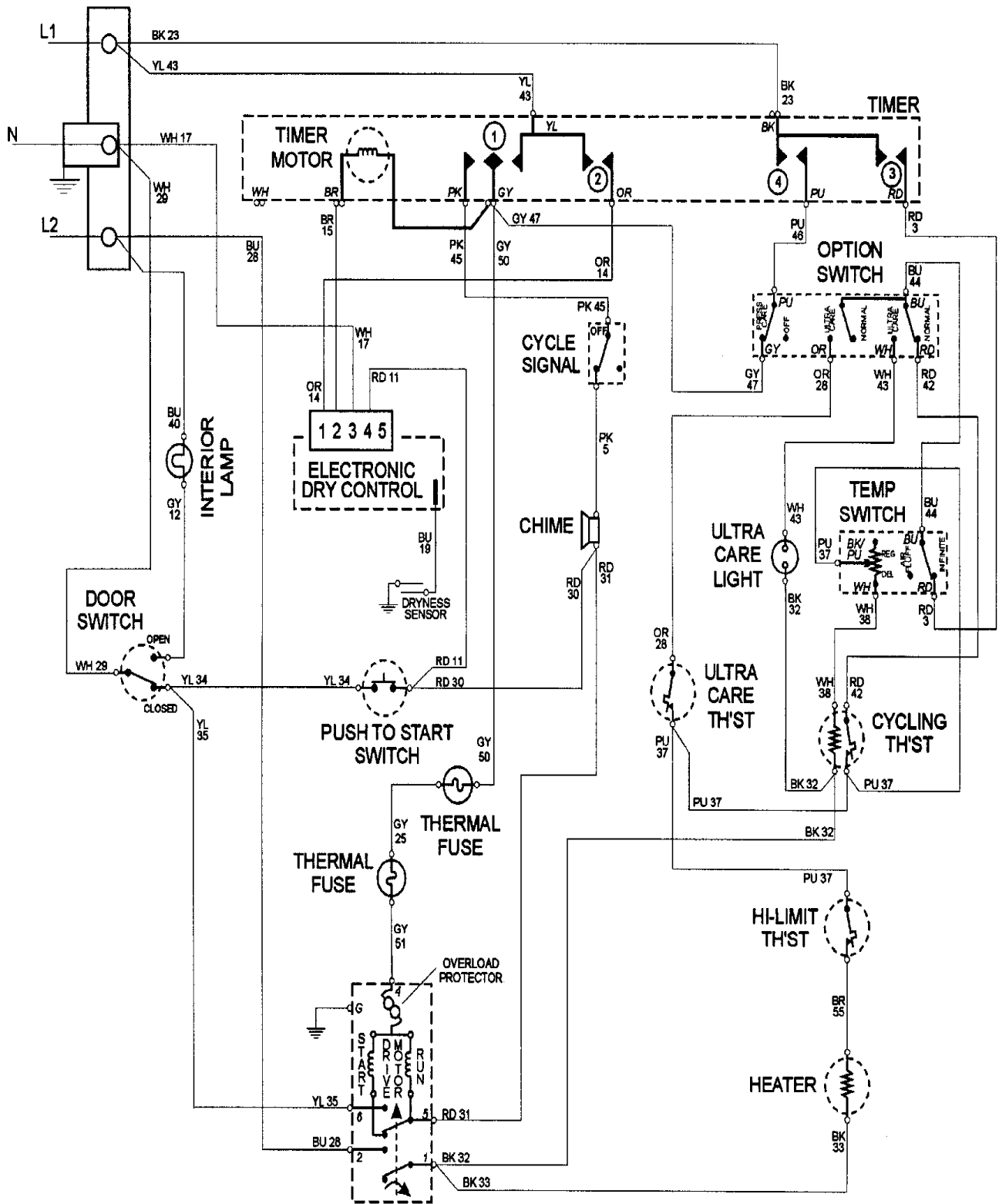
Section: MOTOR DRIVE

No.	Part No.	Description	Series	Qty
1	33001789	HOUSING, BLOWER	10	1
2	33001800	DUCT ASSY., EXHAUST	10	1
-	22001995	SCREW Note: SCREW, EXHAUST DUCT ASSEMBLY	10	4
3	410233	RING, RETAINING	10	2
4	33001790	WHEEL, BLOWER	10	1
-	33002797	WHEEL, BLOWER	55	1
5	312967	CLAMP, BLOWER HOUSING	10	1
6	33001855	SCREW (HEX HEAD) Note: SCREW, HOUSING COVER	10	8
7	N 313561	SCREW----NA Note: SCREW, HOUSING COVER	10	1
8	306911	THERMOSTAT,(ELEC) MULTI-TEMP	10	1
-	33002409	THERMOSTAT, ULTRA CARE	10	1
9	22001996	SCREW Note: SCREW, THERMOSTAT	10	2
10	33001762	FUSE, THERMAL (W' BRACKET)	10	1
11	314848	SCREW Note: SCREW, THERMAL CUT-OFF	10	1
12	22002244	CLIP, GROUNDING	10	1
13	33001796	COVER, BLOWER HOUSING	10	1
14	314818	SCREW Note: SCREW, BLOWER HOUSING	10	4
15	33002795	MOTOR, DRIVE 60HZ	55	1
15	33002237	MOTOR (W/PULLEY)	10	1
15	33002478	MOTOR	28	1
15	33002462	MOTOR (120V 60HZ)	26	1
16	015825	CLIP, MOTOR	10	2
17	33001854	SWITCH, MOTOR	10	1
18	33001754	SPRING, IDLER	10	1
18	33002460	SPRING, IDLER Note: SPRING & PLUG KIT 33002459	25	1
-	33002461	PLUG FOR SPRING	25	1
18	33002157	GROMMET	10	1
19	33001840	IDLER ARM & SHAFT ASSY.	10	1
20	312527	WASHER, IDLER SHAFT (QTY-1)	10	2
21	33001783	BEARING, IDLER ASSEMBLY	10	1
22	312958	RETAINING RING, IDLER SHAFT	10	1
23	315772	SLEEVE, IDLER ARM	10	1
24	014874	SCREW	10	1
-	N 313561	SCREW----NA Note: SCREW, MOUNT TO BASE	25	1
25	33002466	SUPPORT, MOTOR	25	1
25	33001752	SUPPORT, MOTOR	10	1
26	N 313561	SCREW----NA Note: SCREW, MOTOR & BLOWER	10	2
27	33001845	BASE	10	1
27	N 33002465	BASE, (LWR)----NA	25	1
27	33002622	BASE, (LWR)	36	1
27	N 33002465	BASE, (LWR)----NA	38	1
28	410490	SPRING, WIRE HARNESS	10	2
29	305086	ADJUSTABLE LEG & NUT	10	4
30	052740	NUT	10	4
31	314137	FOOT, RUBBER	10	4
32	22002239	CLIP, LOWER FRONT PANEL	10	2
33	310632	SCREW Note: SCREW, CLIP	10	2

*Color Code (-)=Not Shown #=Series, Serial Prefix or Run No., N=Not Available

Section: WIRING INFORMATION

Model: MDE4000AYQ



15002585

