

# DCCH480EK/485EK

## GE® 4.0 Cu. Ft. Stainless Steel Capacity 24" Ventless Condenser Frontload Electric Dryer

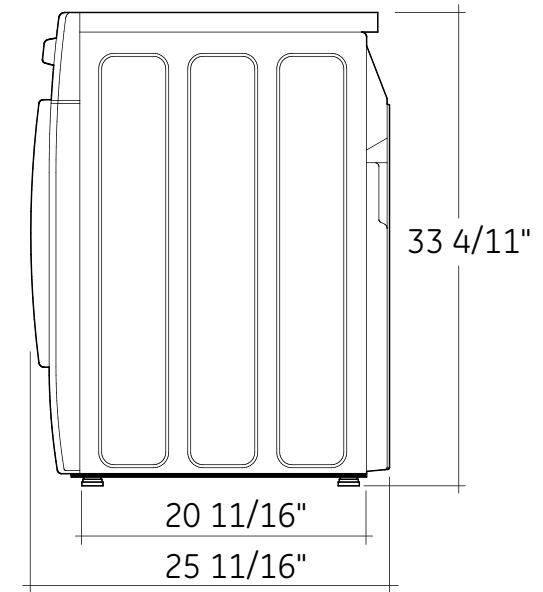
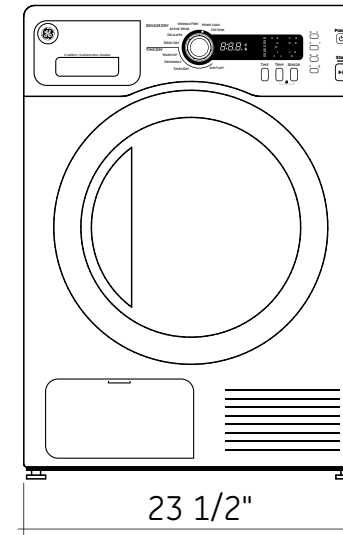
### Dimensions and Installation Information (in inches)

Electric Dryer Rating	
240V	3000W, 12.5A, 60Hz

**Circuit Requirements:** An individual, properly grounded branch circuit, protected by a 30-amp circuit breaker or a time-delay fuse, is required.

**Note:** Dryer wall outlet must be located within 36" of service cord entry and accessible when dryer is mounted in position.

**Installation Information:** For complete information, see installation instructions packed with your dryer.



For answers to your Monogram®, GE Profile™ or GE® appliance questions, visit our website at [ge.com](http://ge.com) or call GE Answer Center® service, 800.626.2000.



# DCCH480EK/485EK

## GE® 4.0 Cu. Ft. Stainless Steel Capacity 24" Ventless Condenser Frontload Electric Dryer

### Special Installation Requirements:

#### Alcove or Closet Installation:

- Stacking Kit - GE24STACK (not included)
- If your dryer is approved for installation in an alcove or closet, it will be stated on a label on the dryer back.
- Minimum clearances between dryer cabinet and adjacent walls or other surfaces are: 0" either side, 3" front and rear
- Minimum vertical space from floor to overhead cabinets, ceilings, etc. is 52".
- Closet doors must be louvered or otherwise ventilated and must contain a minimum of 60 sq. in. of open area equally distributed. If this closet contains both a washer and a dryer, doors must contain a minimum of 120 sq. in. of open area equally distributed.
- No other fuel-burning appliance shall be installed in the same closet with a gas dryer.

#### Bathroom or Bedroom Installation:

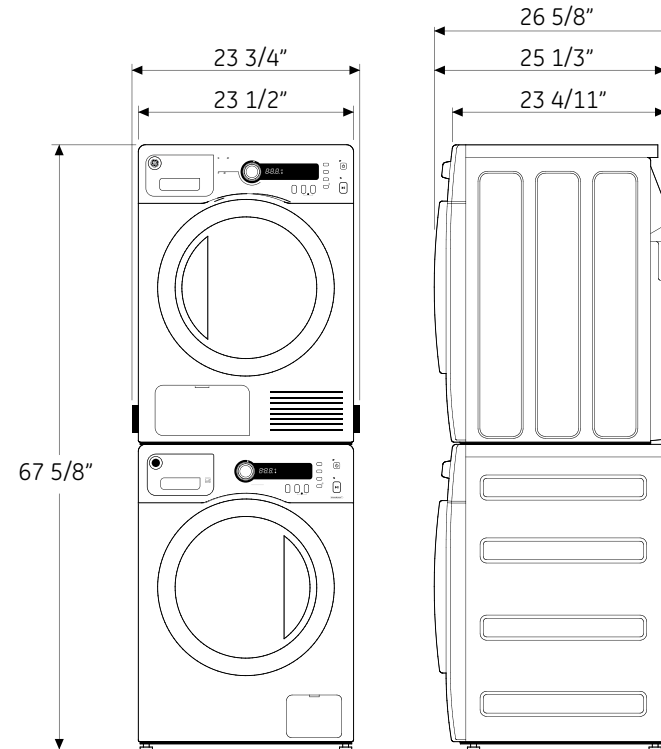
- The installation must conform with the local codes, or in the absence of local codes, with the National Electric Code and National Fuel Gas Code, ANSI Z223 for gas dryers.

#### Minimum Clearance other than Alcove or Closet Installations:

- Minimum clearances to combustible surfaces 0" both sides, 3" rear.

For more information on venting kits and accessories, please call 1-800-GE-CARES.

Stacked Dimensions (in inches)



For answers to your Monogram®, GE Profile™ or GE® appliance questions, visit our website at [ge.com](http://ge.com) or call GE Answer Center® service, 800.626.2000.

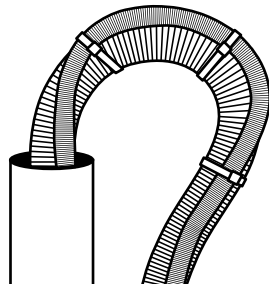
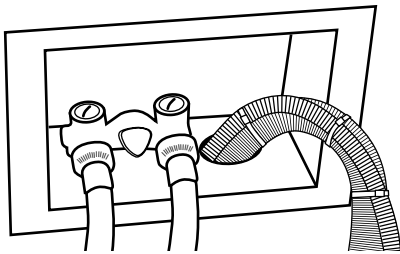


DCCH480EK/485EK

GE® 4.0 Cu. Ft. Stainless Steel Capacity 24" Ventless Condenser Frontload Electric Dryer

### Draining water out of the dryer

- Two options are available to drain the water out.
  - Pump to a removeable water tank in the dryer.
  - Drain directly out of unit into a standpipe or washstand through the included drain hose.
- The dryer drain hose and wire ties are included.
- You must have a standpipe available to drain into.
- Your standpipe or washstand cannot exceed a height of 35-1/2" above the ground.
- The dryer drain hose can drain alongside the washer hose.
- For complete information, see the installation instructions packed with your dryer.



imagination at work

