



Spacemaker Dryers

Safety Information 3-5

Operating Instructions

Care and Cleaning 8

Controls 6

Features 7

Loading and Using
the Dryer 8

Installation Instructions 9-20

Electrical Installation for
Electric Dryer 16, 17

Electrical Requirements 11

Exhausting the Dryer 12, 13

Gas Connection for Gas Dryer 18

Gas Supply Requirements 13

Location of Your Dryer 14

Mobile Home Installation 15

Preparing to Install Your Dryer ... 9, 10

Reversing the Door Swing 20

Stacking Instructions 19, 20

Troubleshooting Tips 21, 22

Customer Service

Service Telephone
Numbers Back Cover

Warranty for U.S. Customers 24

Warranty for Canadian Customers .. 25

**Owner's Manual
and Installation
Instructions**

DSXH43
DPXH46
DH43
PSXH43



GE & You, A Service Partnership.



IMPORTANT!

Staple sales slip or cancelled check here.

Proof of the original purchase date is needed to obtain service under the warranty.

Fill out the Consumer Product Registration Card.

Two easy ways to register your appliance!

- Through the internet at www.geappliances.com
- Complete and mail the enclosed Product Registration Card



FOR YOUR RECORDS

Write the model and serial numbers here:

They are on the label on the left side of the door opening.



READ THIS MANUAL

Inside you will find many helpful hints on how to use and maintain your dryer properly. Just a little preventive care on your part can save you a great deal of time and money over the life of your dryer.



IF YOU NEED SERVICE

You'll find many answers to common problems in the *Before You Call For Service* section. If you review our chart of *Troubleshooting Tips* first, you may not need to call for service at all.

If you do need service, you can relax knowing help is only a phone call away. A list of toll-free customer service numbers is included in the back section.

OR

Visit our Website at: www.geappliances.com

IMPORTANT SAFETY INFORMATION. READ ALL INSTRUCTIONS BEFORE USING.

⚠ WARNING!

For your safety, the information in this manual must be followed to minimize the risk of fire or explosion, electric shock, or to prevent property damage, personal injury, or death.

- **Do not store or use gasoline or other flammable vapors and liquids in the vicinity of this or any other appliance.**
- **Installation and service must be performed by a qualified installer, service agency or the gas supplier.**

WHAT TO DO IF YOU SMELL GAS:

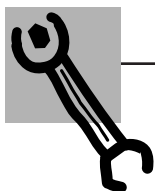
- 1 Do not try to light a match, or cigarette, or turn on any gas or electrical appliance.**
- 2 Do not touch any electrical switch; do not use any phone in your building.**
- 3 Clear the room, building or area of all occupants.**
- 4 Immediately call your gas supplier from a neighbor's phone. Follow the gas supplier's instructions carefully.**
- 5 If you cannot reach your gas supplier, call the fire department.**

California Safe Drinking Water and Toxic Enforcement Act

This act requires the governor of California to publish a list of substances known to the state to cause cancer, birth defects or other reproductive harm and requires businesses to warn customers of potential exposure to such substances.

Gas appliances can cause minor exposure to four of these substances, namely benzene, carbon monoxide, formaldehyde and soot, caused primarily by the incomplete combustion of natural gas or LP fuels.

Properly adjusted dryers will minimize incomplete combustion. Exposure to these substances can be minimized further by properly venting the dryer to the outdoors.



PROPER INSTALLATION

This dryer must be properly installed and located in accordance with the Installation Instructions before it is used.

- Properly ground dryer to conform with all governing codes and ordinances. Follow details in Installation Instructions.
- Install or store where it will not be exposed to temperatures below freezing or exposed to the weather.
- Connect to a properly rated, protected and sized power supply circuit to avoid electrical overload.
- Remove all sharp packing items and dispose of all shipping materials properly.

Exhaust/Ducting:

- 1 This dryer *MUST* be exhausted to the outside.**
- 2 Use only rigid metal or flexible metal 4" diameter ductwork inside the dryer cabinet or for exhausting to the outside. *USE OF PLASTIC OR OTHER COMBUSTIBLE DUCTWORK CAN CAUSE A FIRE. PUNCTURED DUCTWORK CAN CAUSE A FIRE IF IT COLLAPSES OR BECOMES OTHERWISE RESTRICTED IN USE OR DURING INSTALLATION.***

For complete details, follow the Installation Instructions.

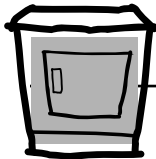
IMPORTANT SAFETY INFORMATION. READ ALL INSTRUCTIONS BEFORE USING.

⚠ **WARNING!**



YOUR LAUNDRY AREA

- Keep the area underneath and around your appliances free of combustible materials, such as lint, paper, rags, chemicals, etc.
- Keep the floor around your appliances clean and dry to reduce the possibility of slipping.
- Keep area around the exhaust opening and surrounding areas free from the accumulation of lint, dust and dirt.
- Do not obstruct the flow of ventilating air. Do not stack or place laundry or throw rugs against the front or back of the dryer.
- Close supervision is necessary if this appliance is used by or near children. Do not allow children to play on, with, or inside this or any other appliance.
- Keep all laundry aids (such as detergents, bleaches, etc.) out of the reach of children, preferably in a locked cabinet. Observe all warnings on container labels to avoid injury.
- Never climb on or stand on the dryer top.



WHEN USING YOUR DRYER

- Never reach into the dryer while the drum is moving. Before loading, unloading or adding clothes, wait until the drum has completely stopped.
- Clean the lint filter before each load to prevent lint accumulation inside the dryer or in the room. **DO NOT OPERATE THE DRYER WITHOUT THE LINT FILTER IN PLACE, UNLESS THE DRYING RACK IS IN USE.** Always replace the lint screen when finished using the drying rack.
- Do not wash or dry articles that have been cleaned in, washed in, soaked in, or spotted with combustible or explosive substances (such as wax, oil, paint, gasoline, degreasers, dry-cleaning solvents, kerosene, etc.) which may ignite or explode. Do not add these substances to the wash water. Do not use or place these substances around your washer or dryer during operation.
- Any article on which you have used a cleaning solvent or that contains flammable materials (such as cleaning cloths, mops, towels used in beauty salons, restaurants, or barber shops, etc.) must not be placed in or near the dryer until solvents or flammable materials have been removed. There are many highly flammable items used in homes such as acetone, denatured alcohol, gasoline, kerosene, some household cleaners, some spot removers, turpentine, waxes, wax removers and products containing petroleum distillates.
- The laundry process can reduce the flame retardancy of fabrics. To avoid such a result, carefully follow the garment manufacturer's care instructions.
- Do not dry articles containing rubber, plastic, or similar materials such as padded bras, tennis shoes, galoshes, bath mats, rugs, bibs, baby pants, plastic bags, pillows, etc. that may melt or burn. Some rubber materials, when heated, can under certain circumstances produce fire by spontaneous combustion.
- Do not store plastic, paper or clothing that may burn or melt on top of the dryer during operation.
- Garments labeled *Dry Away from Heat* or *Do Not Tumble Dry* (such as life jackets containing Kapok) must not be put in your dryer.
- Do not dry fiberglass articles in your dryer. Skin irritation could result from the remaining particles that may be picked up by clothing during subsequent dryer uses.
- To minimize the possibility of electric shock, unplug this appliance from the power supply or disconnect the dryer at the household distribution panel by removing the fuse or switching off the circuit breaker before attempting any maintenance or cleaning (except the removal and cleaning of the lint filter). **NOTE:** Turning the Cycle Selector knob to an **OFF** position does **NOT** disconnect the appliance from the power supply.
- Do not spray any type of aerosol into, on or near dryer at any time.
- Do not place items exposed to cooking oils in your dryer. Items contaminated with cooking oils may contribute to a chemical reaction that could cause a clothes load to catch fire.



WARNING!

- Never attempt to operate this appliance if it is damaged, malfunctioning, partially disassembled, or has missing or broken parts, including a damaged cord or plug.
- The interior of the machine and the exhaust duct connection inside the dryer should be cleaned at least once a year by a qualified technician. See the *Loading and Using the Dryer* section. Do not use any type of spray cleaner when cleaning dryer interior. Hazardous fumes or electrical shock could occur.
- If yours is a gas dryer, it is equipped with an automatic electric ignition and does not have a pilot light. **DO NOT ATTEMPT TO LIGHT WITH A MATCH.** Burns may result from having your hand in the vicinity of the burner when the automatic ignition turns on.
- You may wish to soften your laundered fabrics or reduce the static electricity in them by using a dryer-applied fabric softener or an anti-static conditioner. We recommend you use either a fabric softener in the wash cycle, according to the manufacturer's instructions for those products, or try a dryer-added product for which the manufacturer gives written assurance on the package that their product can be safely used in your dryer. Service or performance problems caused by use of these products are the responsibility of the manufacturers of those products and are not covered under the warranty to this appliance.



WHEN NOT USING YOUR DRYER

- Grasp the plug firmly when disconnecting this appliance to avoid damage to the cord while pulling. Place the cord away from traffic areas so it will not be stepped on, tripped over or subjected to damage.
- Do not attempt to repair or replace any part of this appliance or attempt any servicing unless specifically recommended in this Owner's Manual or in published user-repair instructions that you understand and have the skills to carry out.
- Before discarding a dryer, or removing it from service, remove the dryer door to prevent children from hiding inside.
- Do not tamper with controls.

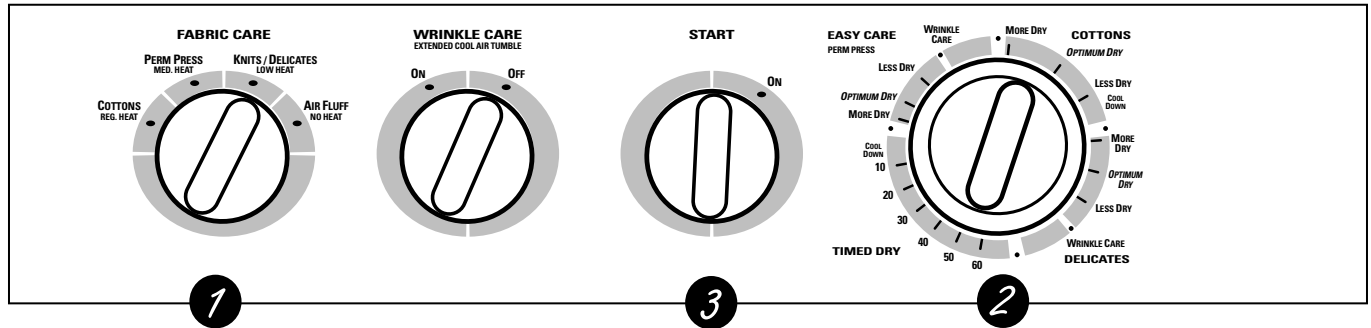


READ AND FOLLOW THIS SAFETY INFORMATION CAREFULLY.

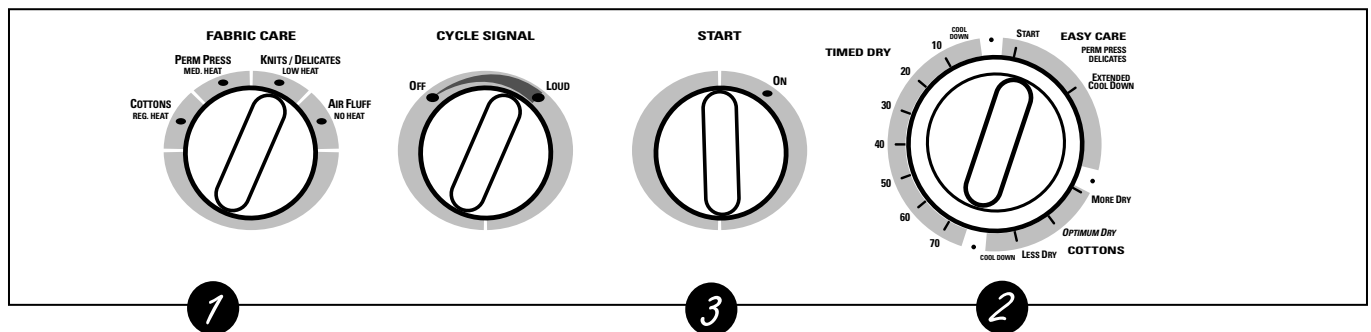
SAVE THESE INSTRUCTIONS

About the dryer control panel.

Model DPXH46



Models DSXH43, DH43, and PSXH43



Features and appearance may vary.



Control Settings

1 Fabric Care

COTTONS REG. HEAT For regular to heavy cottons.

PERM. PRESS MED HEAT For synthetics, blends and items labeled *permanent press* or *tumble dry medium heat*.

KNITS/ DELICATES LOW HEAT For knits, delicates, synthetics and items labeled *tumble dry low heat*.

AIR FLUFF NO HEAT For *fluffing* items without heat. Use the **TIMED DRY** cycle.

2 Drying Cycles

The **COTTONS**, **EASY CARE** and **DELICATES** cycles automatically sense fabric dryness. Select **MORE DRY** for heavier fabrics, **LESS DRY** for lighter fabrics. The **TIMED DRY** cycle will run for a selected time.

COTTONS For cottons and most linens. For most loads, select the **Optimum Dry** setting (on some models).

EASY CARE For wrinkle free, permanent press and delicate items, and knits. For most loads, select the **Optimum Dry** setting (on some models).

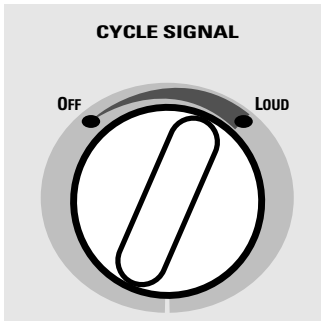
DELICATES For delicates and special care fabrics. For most loads, select the **Optimum Dry** setting (on some models).

TIMED DRY Set the Cycle Selector at the desired drying time.

3 Start

Turn the **START** knob clockwise to **ON**. Hold for 1–2 seconds and release. Opening the door during operation will stop the dryer. To restart the dryer, close the door, turn the **START** knob clockwise to **ON**, hold for 1–2 seconds and release.

About your dryer features.



Cycle Signal Option (on some models)

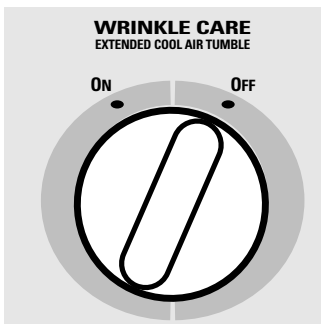
When the signal is on it will sound just before the end of the cycle to remind you to remove the clothes. The signal can be set at **OFF** (no sound), **LOUD** or anywhere in between.

If the dried load cannot be removed promptly during the **EASY CARE** cycle, the Cycle Selector will advance to the **EXTENDED COOL DOWN** setting. Unheated tumbling continues during **EXTENDED COOL DOWN** and **WRINKLE CARE** (on some models) for 40 minutes to help reduce wrinkling. When the **CYCLE SIGNAL** is on, it will sound briefly every

five minutes as a reminder to remove the load.

NOTE:

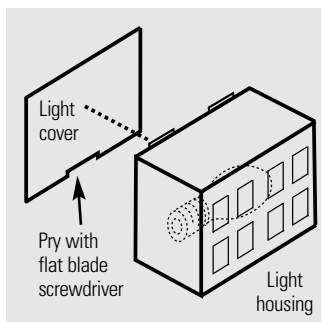
- If items are removed before the end of the cycle, turn the **CYCLE SELECTOR** knob to **OFF**.
- Remove garments promptly at the sound of the signal. Place clothes on hangers so wrinkles won't set in.
- Use the Cycle Signal especially when drying fabrics like polyester knits and permanent press. These fabrics should be removed so wrinkles won't set in.



Wrinkle Care Option (on some models)

Use this option to minimize the wrinkles in clothes. It provides approximately 15 minutes of no-heat tumbling after the clothes are dry.

This option can only be used with the **EASY CARE** and **DELICATES** cycles.



Replacing the Dryer Light Bulb (on some models)

WARNING: To reduce the risk of electric shock, disconnect this appliance from the power supply before attempting any user maintenance. Turning the controls to the **OFF** position does not disconnect this appliance from the power supply.

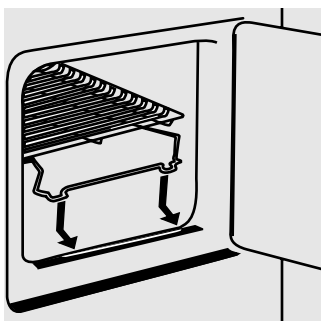
The dryer light is located above the dryer door opening.

Before replacing the light bulb, be sure to unplug the dryer power cord or disconnect the dryer at the household distribution

panel by removing the fuse or switching off the circuit breaker.

To replace the dryer light:

- 1 Using a small flat blade screwdriver, pry the bottom of the *light cover* out and off the *light housing*.
- 2 Unscrew the bulb when cool and replace it with an appliance bulb of the same or lower wattage.
- 3 Snap the *light cover* back on the *light housing*.



Drying Rack (on some models)

A handy drying rack may be used for drying articles such as stuffed toys, pillows or washable sweaters.

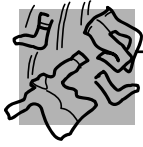
- 1 Remove the lint screen.
- 2 Place the front bar under the lip of the lint screen opening.
- 3 When items are dry, remove the rack and replace the lint screen. **DO NOT OPERATE THE DRYER WITHOUT THE LINT SCREEN IN PLACE UNLESS THE DRYING RACK IS IN PLACE.**

NOTE:

- The drying rack must be used with the **TIMED DRY** cycle.
- Do not use this drying rack when there are other clothes in the dryer.

Loading and using the dryer.

Always follow the fabric manufacturer's care label when laundering.



Sorting and Loading Hints

As a general rule, if clothes are sorted properly for the washer, they are sorted properly for the dryer.

Do not add fabric softener sheets once the load has become warm. They may cause fabric softener stains. Bounce® Fabric Conditioner Dryer Sheets have been approved for use in all GE Dryers when used in accordance with the manufacturer's instructions.

Do not overload. This wastes energy and causes wrinkling.

Do not dry the following items: fiberglass items, woolens, rubber-coated items, plastics, items with plastic trim and foam-filled items.



Care and Cleaning of the Dryer

The Exterior: Wipe or dust any spills or washing compounds with a damp cloth. Dryer control panel and finishes may be damaged by some laundry pretreatment soil and stain remover products. Apply these products away from the dryer. The fabric may then be washed and dried normally. Damage to your dryer caused by these products is not covered by your warranty.

The Lint Screen: Clean the lint screen before each use. Lint build-up in the screen restricts air flow, which causes longer drying times. The screen is located at the bottom of the door opening. Remove by pulling straight up. Remove the lint and replace the screen.

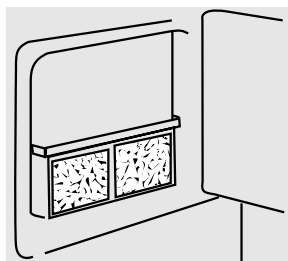
A waxy build-up may form on the lint screen from using dryer-added fabric softener sheets. To remove this build-up, wash the lint screen in warm, soapy water. Dry thoroughly and replace. Do not operate the dryer without the lint screen in place.

The Exhaust Duct: Inspect and clean the exhaust ducting at least once a year to prevent clogging. A partially clogged exhaust can lengthen the drying time.

Follow these steps:

- 1 Turn off electrical supply by disconnecting the plug from the wall socket.
- 2 Disconnect the duct from the dryer.
- 3 Vacuum the duct with the hose attachment and reconnect the duct.

The Exhaust Hood: Check with a mirror that the inside flaps of the hood move freely when operating. Make sure that there is not wildlife (birds, insects, etc.) nesting inside the duct or hood.



Installation Instructions

Spacemaker Dryer

Models **DXSH43**
DPXH46
DH43
PSXH43

Questions? Visit our Website at: www.geappliances.com or Call GE Answer Center at 800.626.2000

BEFORE YOU BEGIN

Read these instructions completely and carefully.

- **IMPORTANT** – Save these instructions for local inspector's use.
- **IMPORTANT** – Observe all governing codes and ordinances.
- **Note to Installer** – Be sure to leave these instructions with the Consumer.
- **Note to Consumer** – Keep these instructions for future reference.
- **Skill level** – Installation of this appliance requires basic mechanical and electrical skills.
- **Completion time** – 1-3 hours
- Proper installation is the responsibility of the installer.
- Product failure due to improper installation is not covered under the Warranty.

FOR YOUR SAFETY:

WARNING

- This dryer must be exhausted to the outdoors using only rigid metal or flexible metal 4" diameter ductwork for inside the dryer cabinet or exhausting.
- Never use plastic or other combustible ductwork. See *Exhausting* section.
- This appliance must be properly grounded and installed as described in these *Installation Instructions*.
- Do not install or store appliance in an area where it will be exposed to water/weather. See *Location of Your Dryer* section.
- The National Fuel Gas code restricts installations of **gas appliances** in garages. They must be 18" (45.7 cm) off the ground and protected from vehicles by a barrier. See *Location of Your Dryer* section.
- The **electrical service** to the dryer must conform with local codes and ordinances and the latest edition of the National Electrical Code, ANSI/NFPA 70 or in Canada, CSA C22.1 Canadian Electrical Code Part 1.
- The **gas service** to the dryer must conform with local codes and ordinances or the latest edition of the National Fuel Gas Code ANSI Z223.1 or in Canada, CAN/CGA B149.12. The gas dryer is designed under ANSI Z 21.5.1 or ANSI/UL2158-CAN/CSA C22.2 (latest editions) for **home use only**. This dryer is not recommended for commercial applications such as restaurants or beauty salons, etc.

Installation Instructions

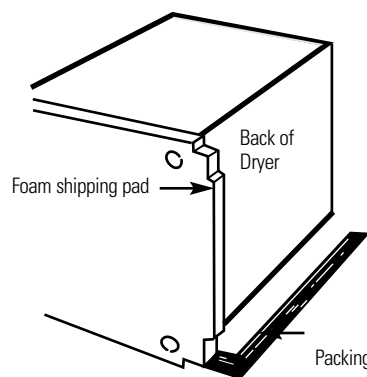
TOOLS AND MATERIALS YOU WILL NEED

- Phillips head screwdriver
- Channel-lock adjustable pliers (adjust leveling legs)
- Carpenter's level
- Flat or straight blade screwdriver (may be needed for cord strain relief)
- Duct tape
- Rigid or UL-listed flexible metal 4" (10.2 cm) duct
- Vent hood
- 1/4" nut driver (remove terminal block access cover and install cord) **(ELECTRIC DRYER)**
- Pipe thread sealer **(GAS DRYER)**
- Plastic knife
- 1/2" open-end wrench (lock leveling legs)
- UL-listed strain relief (may be supplied with cord)
- UL-listed 30A, 240V, 3-wire, #10 AWG minimum conductor power cord (U.S. existing structure)
- UL-listed 30A, 240V, 4-wire, #10 AWG minimum conductor power cord is required (U.S. new construction)
- Flexible stainless steel or plastic-coated brass connecting tube (if allowed by building code) **(GAS DRYER)**
- Open-end wrenches for flexible tube and connector **(GAS DRYER)**

UNPACKING YOUR DRYER

1. Place the four corner posts from the shipping carton on the floor, parallel to each other, 2-3" apart. Carefully lay the dryer on its left side on top of the corner posts. Remove the foam shipping pad.

⚠ CAUTION: To prevent damage, do not use the control panel as a means to pick up or move the dryer.



2. Return the dryer to an upright position.

Installation Instructions

Read these instructions completely and carefully.

ELECTRICAL CONNECTION INFORMATION FOR ELECTRIC DRYERS

⚠ WARNING – To reduce the risk of fire, electric shock, or personal injury:

- DO NOT USE AN EXTENSION CORD WITH THIS APPLIANCE.
- THIS APPLIANCE MUST BE PROPERLY GROUNDED.

This dryer must be electrically grounded in accordance with local codes and ordinances, or in the absence of local codes, in accordance with the NATIONAL ELECTRICAL CODE, ANSI/NFPA NO. 70 or in Canada CSA C22.1 Canadian Electrical Code Part 1.

Electrical Requirements

- This dryer must be connected to an individual branch circuit, protected by the required time-delay fuses or circuit breakers. 208V or 240V installation 30 amps.
- Power supply: 3-wire 240 volt, single phase, 60Hz, Alternating Current. (Canada–240 volt, single phase, 60 Hz Alternating Current.)
- Use copper conductors only.
- If the electric supply does not meet the above specifications, call a licensed electrician.

NOTE: A wiring diagram is located under the top panel.

ELECTRICAL CONNECTION INFORMATION FOR GAS DRYERS

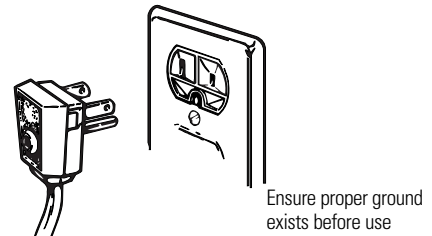
⚠ WARNING – To reduce the risk of fire, electric shock, or personal injury:

- DO NOT USE AN EXTENSION CORD OR AN ADAPTER PLUG WITH THIS APPLIANCE.
- DO NOT, UNDER ANY CIRCUMSTANCES, CUT OR REMOVE THE THIRD GROUNDING PRONG FROM THE POWER CORD.

This dryer must be electrically grounded in accordance with local codes and ordinances, or in the absence of local codes, in accordance with the NATIONAL ELECTRICAL CODE, ANSI/NFPA NO. 70 or in Canada, CSA C22.1 Canadian Electrical Code Part 1.

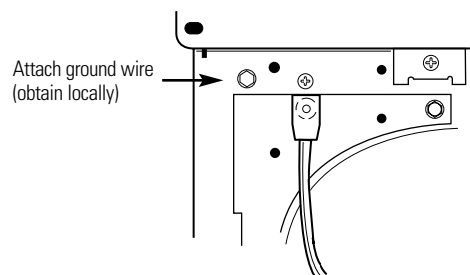
Electrical Requirements

- This dryer must be supplied with 120V, 60 Hz, and connected to a properly grounded branch circuit, protected by a 15 or 20 amp circuit breaker or time-delay fuse.
- If the electric supply provided does not meet the above specifications, it is recommended that a licensed electrician install an approved outlet.



External Ground (if required)

An external ground wire (not provided), which meets local codes, may be added by attaching it to the green ground screw on the rear of the dryer in the upper left hand corner, and to grounded metal cold water pipe or other established ground.



NOTE: A wiring diagram is located under the top panel.

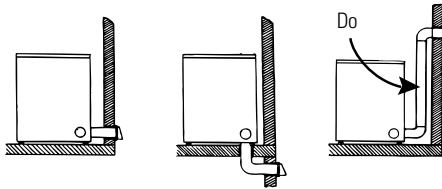
Installation Instructions

EXHAUST SYSTEM REQUIREMENTS

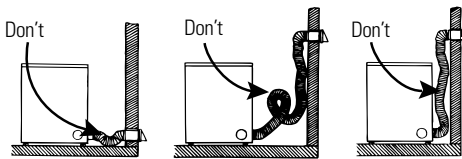
Use only 4" (10.2 cm) diameter (minimum) rigid metal duct for best performance, or flexible metal duct, and approved vent hood which has swing-out dampers that open when the dryer is in operation. When the dryer stops, the dampers automatically close to prevent drafts and the entrance of insects and rodents. To avoid restricting the outlet, maintain a minimum of 12" (30.5 cm) clearance between the vent hood and the ground or any other obstruction.

If all rigid metal duct cannot be used, then flexible all-metal venting can be used, but it will reduce the maximum recommended duct length. See **Additional Installation Instructions** following.

Correct



Incorrect



⚠ WARNING — The following are specific requirements for proper and safe operation of your dryer. Failure to follow these instructions can create excessive drying times and fire hazards.

DO NOT use plastic flexible duct to exhaust the dryer. Excessive lint can build up inside exhaust system and create a fire hazard and restrict air flow. Restricted air flow will increase drying times. If your present system is made up of plastic duct or metal foil duct, replace it with rigid or flexible metal duct. **Ensure the present duct is free of any lint prior to installing dryer duct.**

If the dryer is not exhausted outdoors, some fine lint will be expelled into the laundry area. An accumulation of lint in any area of the home can create a health and fire hazard. **This dryer exhaust system MUST BE EXHAUSTED TO THE OUTSIDE of the dwelling.**

DO NOT allow combustible materials (for example: clothing, draperies/curtains, paper) to come in contact with exhaust system.

⚠ WARNING

The dryer **MUST NOT** be exhausted into a chimney, a wall, a ceiling, a common duct with a kitchen exhaust or any concealed space of a building which can accumulate lint, resulting in a fire hazard.

DO NOT exceed the length of duct pipe or number of elbows allowed in the **Maximum Length** charts. Lint can accumulate in the exhaust system, plugging the system and creating a fire hazard, as well as increasing drying times.

DO NOT screen the exhaust ends of the vent system, or use any screws or rivets to assemble the exhaust system. Lint can become caught in the screen, on the screws or rivets, clogging the duct work and creating a fire hazard as well as increasing drying times. Use an approved vent hood to terminate the duct outdoors, and seal all joints with duct tape. All male duct pipe fittings **MUST** be installed downstream with the flow of air.

EXPLOSION HAZARD. Do not install the dryer where gasoline or other flammables are kept or stored. If the dryer is installed in a garage, it must be a minimum of 18" (45.7 cm) above the floor. Failure to do so can result in death, explosion, fire or burns.

ADDITIONAL INSTALLATION INSTRUCTIONS

If all rigid metal duct cannot be used, then flexible all-metal venting can be used, but it will reduce the maximum recommended duct length. In special installations when it is impossible to make a connection with the above recommendations, then **UL-listed clothes dryer transition duct** may be used as transition venting between the dryer and wall connection only. The use of this ducting will affect drying time.

If flexible transition duct is necessary, **only UL-listed duct identified for use with clothes dryers is approved.**

The following directions must be followed.

- Use the shortest length possible.
- Stretch the duct to its maximum length.
- Do not crush or collapse.
- Never use transition duct inside the wall or inside the dryer.
- Avoid resting the duct on sharp objects.
- Venting must conform to local building codes.

Installation Instructions

EXHAUST DUCTING LENGTH

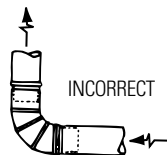
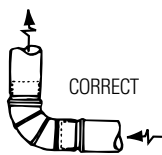
The exhaust system should be inspected and cleaned a minimum of every year with normal usage. The more the dryer is used, the more often you should check the exhaust system and vent hood for proper operation.

- **DO NOT** assemble the duct work with fasteners that extend into the duct. They will serve as collection points for lint.
- Insulation—Ductwork which runs through an unheated area or is near an air conditioning duct should be insulated to reduce condensation and lint build-up.

Number of 90° turns	MAXIMUM LENGTH of 4" (10.2 cm) Dia. FLEXIBLE METAL TUBING		
	PREFERRED VENT HOOD TYPE		
	4" (10.2 cm)	Louvered	2.5" (6.35 cm)
0	30' (9.14 m)		18' (5.49 m)
1	22' (6.71 m)		14' (4.27 m)
2	14' (4.27 m)		10' (3.05 m)

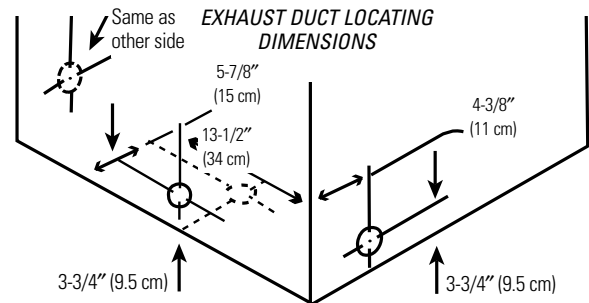
Number of 90° turns	MAXIMUM LENGTH of 4" (10.2 cm) Dia. RIGID METAL DUCT		
	PREFERRED VENT HOOD TYPE		
	4" (10.2 cm)	Louvered	2.5" (6.35 cm)
0	48' (14.63 m)		40' (12.19 m)
1	40' (12.19 m)		32' (9.75 m)
2	32' (9.75 m)		24' (7.32 m)

INSTALL MALE FITTINGS IN
CORRECT DIRECTION



EXHAUST DIRECTION

All dryers shipped from the factory are set up for rear exhausting. However, on **ELECTRIC DRYERS**, exhausting can be on the right or left side of the cabinet or the bottom of the dryer. On **GAS DRYERS**, exhausting can be on the right side of the cabinet or the bottom of the dryer. Directional exhausting can be accomplished by installing Exhaust Kit, Pub. No. 14-A018, available through your parts distributor. Follow the instructions supplied with the kit.



GAS SUPPLY REQUIREMENTS

Replace brass connecting pipe that is not plastic-coated. Stainless steel or plastic-coated brass **MUST** be used.

WARNING: Never reuse old flexible connectors. The use of old flexible connectors can cause gas leaks and personal injury. Always use **NEW** flexible connectors when installing a gas appliance.

1. Installation **MUST** conform with local codes, or in the absence of local codes, with the National Fuel Gas Code, ANSI Z223.1 (latest edition) or in Canada, the current CAN/CGA B149.
2. The gas supply line should be of 1/2" (1.27 cm) rigid pipe.
3. If codes allow, flexible metal tubing may be used to connect your dryer to the gas supply line. The tubing **MUST** be constructed of stainless steel or plastic-coated brass.
4. The gas supply line **MUST** have an individual shutoff valve.
5. A 1/8" (0.32 cm) NPT plugged tapping, accessible for test gauge connection, **MUST** be installed immediately upstream of the gas supply connection to the dryer.
6. The dryer **MUST** be disconnected from the gas supply piping system during any pressure testing of the gas supply piping system at test pressures in excess of 1/2 psig (3.45 kPa).
7. The dryer **MUST** be isolated from the gas supply piping system during any pressure testing of the gas supply piping system at test pressures equal to or less than 1/2 psig (3.45 kPa).

Installation Instructions

LOCATION OF YOUR DRYER

Do Not Install the Dryer:

1. Do not install the dryer in an area exposed to dripping water or outside weather conditions.
2. Do not install the dryer in an area where it will come in contact with curtains, drapes, or anything that will obstruct the flow of combustion and ventilation air.
3. Do not install the dryer on carpet.

Floor **MUST** be solid with a maximum slope of 1" (2.54 cm).

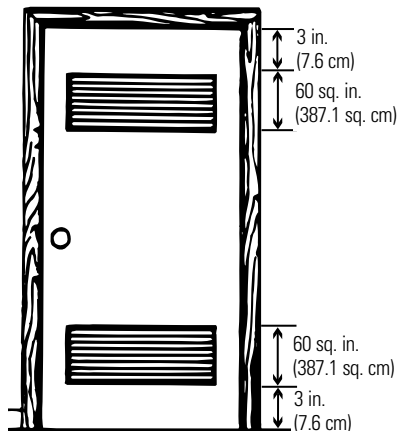
Undercounter Installation:

If an undercounter* installation is desired, the dryer **MUST** have a top sheet kit installed, Pub. No. 14-A008. Kit is available from an authorized parts distributor.

*Custom-sized countertop is required.

Installation in Recess or Closet:

1. A dryer installed in a bedroom, bathroom, recess or closet **MUST** be exhausted outdoors.
2. No other fuel burning appliance shall be installed in the same closet as the **GAS DRYER**.
3. Your dryer needs the space around it for proper ventilation. **DO NOT INSTALL YOUR DRYER IN A CLOSET WITH A SOLID DOOR.**
4. A minimum of 120 square inches (774.2 square cm) of opening, equally divided at the top and bottom of the door, is required. Air openings are required to be unobstructed when a door is installed. A louvered door with equivalent air openings for the full length of the door is acceptable.



Closest door

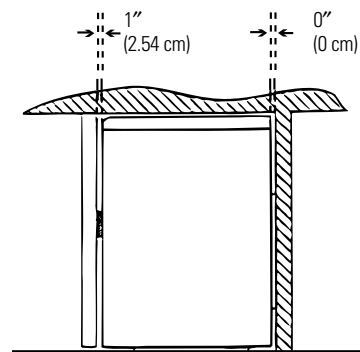
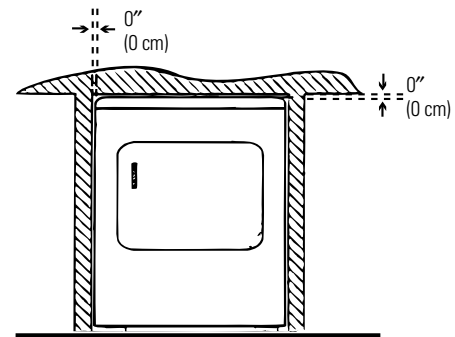
Allow the following clearances for ease of installation:

	FRONT	SIDES	REAR	TOP
Alcove or under counter	0 (0 cm)	0 (0 cm)	0 (0 cm)	0 (0 cm)
Closest	1" (2.54 cm)	0 (0 cm)	0 (0 cm)	0 (0 cm)

Closest door ventilation required: 2 louvered openings each 60 square inches (387.1 square cm), located 3" (7.6 cm) from bottom and top of door.

THIS DRYER MUST BE EXHAUSTED OUTDOORS.

5. The following illustrations show minimum clearance dimensions for proper operation in a recess or closet installation.



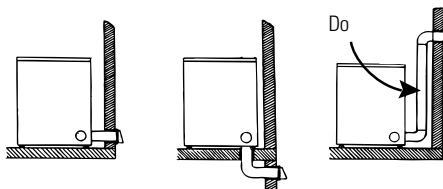
NOTE: Undercounter and stack models—0" (0 cm) for sides, rear and top

Installation Instructions

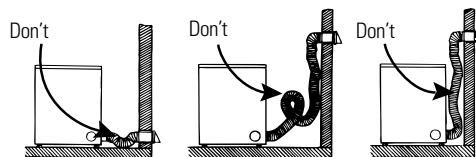
MOBILE HOME INSTALLATION

1. Dryer **MUST** be exhausted outside (outdoors, not beneath the mobile home) using metal ducting that will not support combustion. Metal ducting must be 4" (10.16 cm) in diameter with no obstructions. Rigid metal duct is preferred.
2. If dryer is exhausted through the floor and area beneath the mobile home is enclosed, the exhaust system **MUST** terminate outside the enclosure with the termination securely fastened to the mobile home structure.
3. When installing a gas dryer into a mobile home, a provision must be made for outside make-up air. This provision is to be not less than twice the area of the dryer exhaust outlet.
4. A gas dryer **MUST** be fastened to the floor. Mobile Home Installation Kit Pub. No. 14-D346-33 is available from your dealer.
5. See the *Exhaust System Requirements* section for other important venting information.
6. Installation **MUST** conform to current Manufactured Home Construction & Safety Standard (which is a Federal Regulation Title 24 CFR—Part 32-80) or, when such standard is not applicable, with American National Standard for Mobile Homes. In Canada, the CSA Z240 is applicable.

Correct

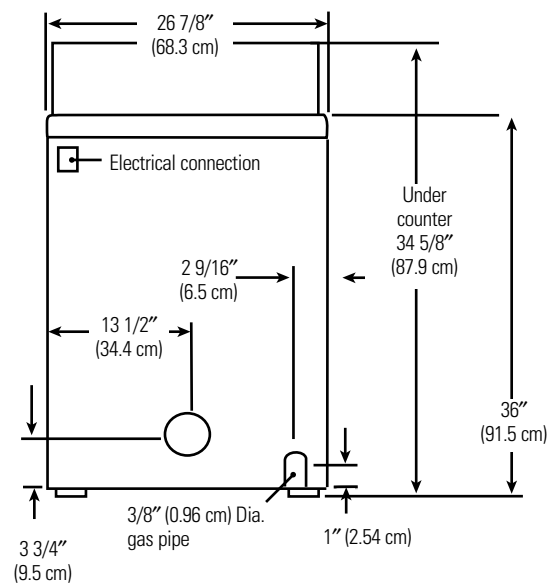


Incorrect

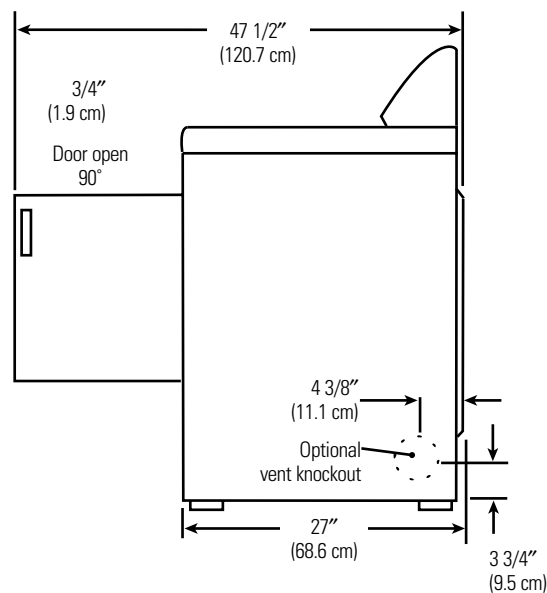


The dryer is designed under ANSI Z 21.5.1 for HOME USE only.

ROUGH-IN DIMENSIONS



REAR VIEW



SIDE VIEW

SERVICING—Consideration must be given to provide adequate clearances for installation and servicing.

CAUTION—Label all wires prior to disconnection when servicing controls. Wiring errors can cause improper and dangerous operation (verify proper operation after servicing/installation).

Installation Instructions

ELECTRICAL INSTALLATION FOR ELECTRIC DRYERS

⚠ WARNING: The following are specific requirements for proper and safe electrical installation of your dryer. Failure to follow these instructions can create electrical shock and/or a fire hazard.

This appliance **MUST** be properly grounded. Electrical shock can result if the dryer is not properly grounded. Follow the instructions in this manual for proper grounding.

DO NOT use an extension cord with this dryer. Some extension cords are not designed to withstand the amounts of electrical current this dryer utilizes and can melt, creating electrical shock and/or fire hazard. Locate the dryer within reach of the wall outlet, taking into account the length of power cord to be purchased and allowing some slack in the cord. Refer to *Electrical Requirements* in this manual for the proper power cord to be purchased.

A UL-listed strain relief must be installed onto power cord. If the strain relief is not attached, the cord can be pulled out of the dryer and can be cut by any movement of the cord, resulting in electrical shock.

NOTE: Dryers operating on 208-volt power supply will have longer drying times than those operating on 240-volt power supply.

A wiring diagram is located under the top panel.

GROUNDING REQUIREMENTS

⚠ WARNING: Improper connection of the equipment-grounding conductor can result in a risk of electric shock. Check with a licensed electrician if you are in doubt as to whether the appliance is properly grounded.

The dryer **MUST** be grounded. In the event of a malfunction or breakdown, grounding will reduce the risk of electrical shock by creating a path of least resistance for electrical current.

Grounding must be in accordance with local codes and ordinances, or in the absence of local codes, in accordance with the National Electrical Code ANSI/NFPA No. 70.

For a grounded, cord-connected electric dryer:

If your dryer is equipped with a power supply cord having an equipment-grounding conductor and a grounding plug, the plug **MUST** be plugged into an appropriate, copper-wired receptacle (in the U.S.), or in Canada, an appropriate outlet, that is properly installed and grounded in accordance with all local codes and ordinances. *If in doubt, call a licensed electrician.*

For a permanently-connected electric dryer:

- The dryer **MUST** be connected to a grounded metal, permanent wiring system; or an equipment-grounding conductor must be run with the circuit conductors and connected to the equipment-grounding terminal or lead on the appliance.

For a grounded, cord-connected gas dryer:

- This dryer is equipped with a three-prong (grounding) plug for your protection against shock hazard and should be plugged directly into a properly grounded three-prong receptacle. Do not cut or remove the grounding prong from this plug. Do not modify the plug on this appliance. If it will not fit the outlet, have a proper outlet installed by a qualified electrician.

Installation Instructions

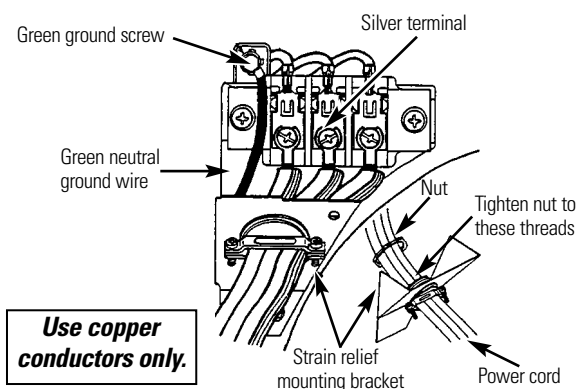
3-WIRE SYSTEM FOR ELECTRIC DRYERS

NOT for use in Canada.

DO NOT use for Mobile Home Installations.

NOT for use on new construction.

1. Remove the screws securing the terminal block access cover and the strain relief mounting bracket located on the back of the dryer upper corner.
2. Install a UL-listed strain relief into the power cord entry hole of the mounting bracket. Finger-tighten the nut only at this time.



3. Thread a UL-listed 30 amp power cord, NEMA 10-30 Type SRDT, through the strain relief. Power cord leads terminate on open-end spade lugs with upturned ends.
4. Attach the power cord neutral (center wire) conductor to the silver-colored center terminal on the terminal block. Tighten the screw securely.
5. Attach the remaining two power cord outer conductors to the outer brass-colored terminals on the terminal block. Tighten both screws securely.

⚠ WARNING: Do not make a sharp bend or crimp wiring/conductor at connections.

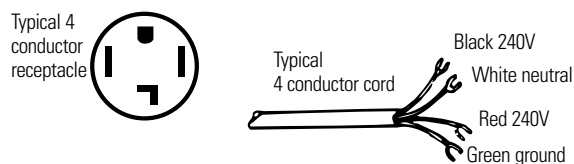
6. Reattach the strain relief mounting bracket to the back of the dryer with two screws. Tighten screws securely.
7. Tighten the screws securing the cord restraint firmly against the power cord.
8. Tighten the strain relief nut securely so that the strain relief does not turn.
9. Reinstall the terminal block access cover.

4-WIRE SYSTEM FOR ELECTRIC DRYERS

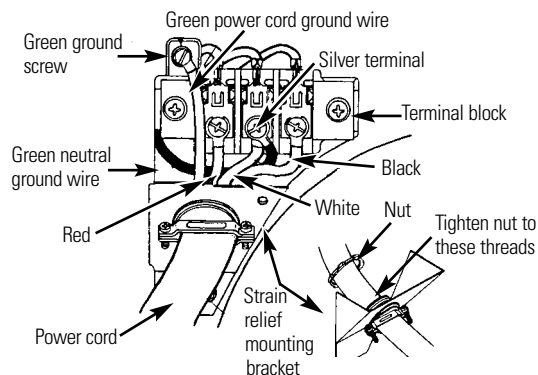
Effective January 1, 1996: The National Electric Code requires that **new construction** (non existing) utilize a 4-wire connection to an electric dryer.

In Canada a 4-wire power supply cord is installed on the dryer.

1. Remove the screws securing the terminal block access cover and the strain relief mounting bracket located on the back of the dryer upper corner.
2. Install a UL-listed strain relief in the entry hole of the mounting bracket. Finger-tighten the nut only at this time.
3. Remove the green neutral ground wire from the green ground screw located above the terminal block.



4. Thread a UL-listed 30 amp power cord, NEMA 14-30 TYPE ST or SRDT, through the strain relief. Power cord leads terminate on open-end spade lugs with upturned ends.
5. Attach the green power cord ground wire to the cabinet with the green ground screw.
6. Attach the white (neutral) power cord conductor from the power cord and the green ground wire from the dryer harness to the silver-colored center terminal on the terminal block. Tighten the screw securely.
7. Attach the red and black power cord conductors to the outer brass-colored terminals on the terminal block.



⚠ WARNING: Do not make a sharp bend or crimp wiring/conductor at the connections.

8. Tighten the screws securing the cord restraint firmly against the power cord.
9. Tighten the strain relief nut securely so the strain relief does not turn.
10. Reinstall the terminal block access cover.

Installation Instructions

GAS CONNECTION FOR GAS DRYERS


1. Remove the shipping cap from gas pipe at the rear of the dryer.

Conversion to LP Gas: **DO NOT** connect the dryer to LP gas service without converting the gas valve. An LP conversion kit (Pub. No. 14-A038) **MUST** be installed by a qualified gas technician.

- a. Connect a 1/2" (1.27 cm) I.D. semi-rigid or approved pipe from gas supply line to the 3/8" (0.96 cm) pipe located on the back of the dryer. Use a 1/2" to 3/8" (1.27 cm to 0.96 cm) reducer for a connection. Apply an approved thread sealer that is resistant to the corrosive action of liquefied gases on all pipe connections.
- b. Open the shutoff valve in the gas supply line.
- c. Test all connections by brushing on a soapy water solution.

CAUTION: NEVER TEST FOR GAS LEAKS WITH AN OPEN FLAME.

2. Connect the exhaust duct to outside exhaust system. Use duct tape to seal all joints.
3. With the dryer in its final position, adjust one or more of the legs until the dryer is resting solidly on all four legs. Place a level on top of the dryer. **THE DRYER MUST BE LEVEL AND RESTING SOLIDLY ON ALL FOUR LEGS.** Turn the lock nuts on each of the four legs up toward the base of the dryer and snug with a 1/2" open-end wrench.
4. Plug the power cord into a grounded outlet. **NOTE:** Check to ensure the power is off at circuit breaker/fuse box before plugging the power cord into the outlet.
5. Turn on the power at the circuit breaker/fuse box.

 **CAUTION:** Before operating the dryer, make sure the dryer area is clear and free from combustible materials, gasoline, and other flammable vapors. Also see that nothing (such as boxes, clothing, etc.) obstructs the flow of combustion and ventilation air.

6. Run the dryer through a cycle check for proper operation.

NOTE: On gas dryers, before the burner will light, it is necessary for the gas line to be bled of air. If the burner does not light within 45 seconds the first time the dryer is turned on, the safety switch will shut the burner off. If this happens, turn the timer to **OFF** and wait 5 minutes before making another attempt to light.

7. If your dryer does not operate, please review the *Troubleshooting Tips* section in this manual before calling for service.
8. Place these instructions in a location near the dryer for future reference.

Stacking Instructions

⚠ WARNING:

- To reduce the risk of electric shock, disconnect this appliance from the power supply before attempting any user maintenance. Turning the controls to the **OFF** position does not disconnect this appliance from the power supply.
- Refer to the washer and dryer installation instructions prior to stacking appliances. Reading all of the information contained in these instructions will simplify the installation and ensure a correct and safe operation. A fire hazard and/or personal injury could result from improper installation.

TOOLS REQUIRED FOR STACKING THE DRYER

- Phillips head screwdriver
- Channel-lock adjustable pliers

MOUNTING THE DRYER TO THE WASHER

The numbers in the illustration correspond to steps.

1. Remove the washer top panel by first removing the 4 screws in the 2 brackets located on the top rear of the washer.

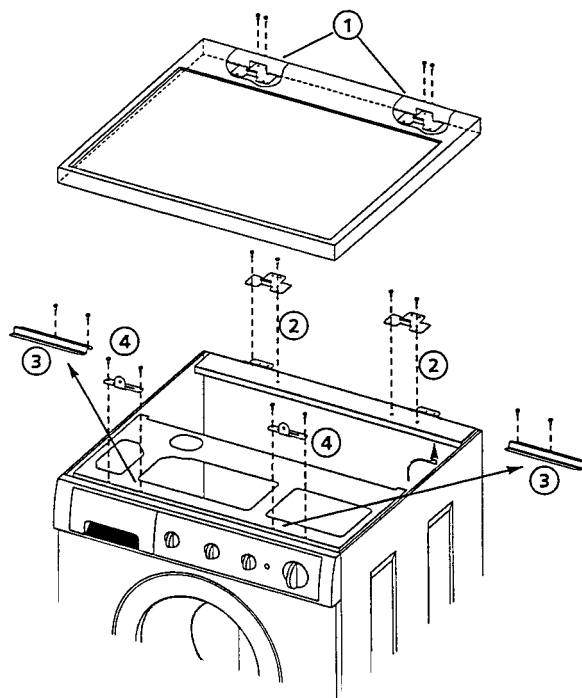
Slide the top forward, lift the front of the top up, and remove the top panel.

Remove the 2 brackets from the rear of the top panel.

2. Using the 4 screws that were removed in step 1, install the brackets in the rear support as shown.

3. Remove the 4 screws and the 2 long front brackets located on the top front of the washer.

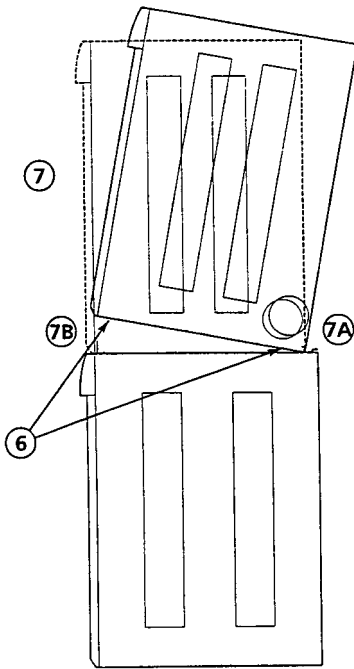
4. Install the 2 new front mounting brackets provided and the 4 screws that were removed in step 3. Note that the tab of the front mounting bracket is facing forward as shown in the illustration.



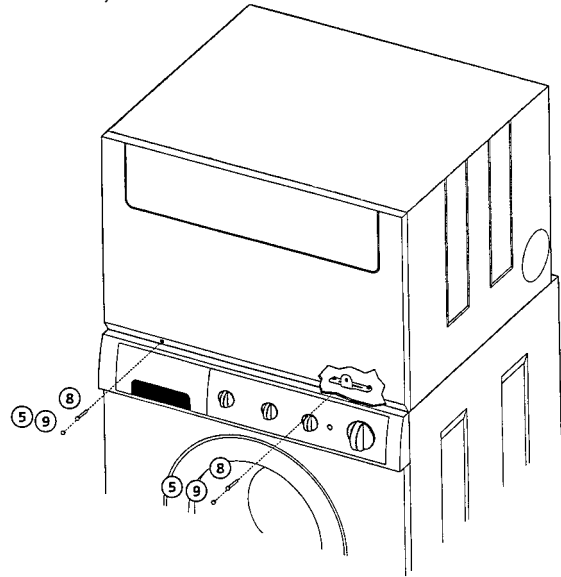
Stacking Instructions—Reversing Door Swing

The numbers in the illustration correspond to steps.

- Using the blade end of a putty knife covered with masking tape, carefully remove the hole plugs located in the bottom of the dryer front panel.
- Remove the 4 legs from the dryer base.
- Place the dryer on top of the washer. Slide the dryer back into the rear brackets (7A) then drop the front down over the front brackets (7B).

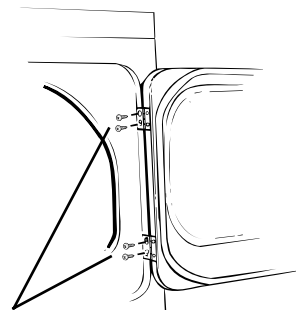


- Insert the 2 long screws provided in the kit through the holes in the dryer front panel and install into the front mounting brackets.
- Install the hole plugs removed in step 5.
- Refer to the washer and dryer installation instructions for proper installation and function.
- Save the top panel and brackets in the case of future side-by-side use.



REVERSING THE DRYER DOOR SWING

- Open the dryer door. Remove the 4 hinge hole plugs or screws from the left side of door opening. Place nearby for future installation. **NOTE:** You may need a plastic knife to help pull out the plugs. Be careful not to scratch the paint.
- Remove the four screws that secure the door hinges to the dryer front panel. **NOTE:** Remove 1 screw from each of the 2 hinges first. Hold the door firmly before removing the last 2 screws.
- Rotate the door 180° and reinstall the door hinges to the dryer front panel with the 4 screws.
- Install the 4 hinge hole plugs or screws that were removed in step 1 into the open screw holes on the right side of the door opening.



Remove 4 screws—one from each hinge first

Before you call for service...



Troubleshooting Tips
 Save time and money! Review the charts on the following pages first and you may not need to call for service.

Problem	Possible Causes	What To Do
Dryer doesn't start	Dryer is unplugged	<ul style="list-style-type: none"> • Make sure the dryer plug is pushed completely into the outlet.
	Fuse is blown/circuit breaker is tripped	<ul style="list-style-type: none"> • Check the house fuse/circuit breaker box and replace fuse or reset breaker. NOTE: Most electric dryers use two fuses/breakers.
	Thermal limiter tripped	<ul style="list-style-type: none"> • Call authorized service person for replacement.
Dryer doesn't heat	Fuse is blown/circuit breaker is tripped, the dryer may tumble but not heat	<ul style="list-style-type: none"> • Check the house fuse/circuit breaker box and replace fuse or reset breaker.
	Gas service is off	<ul style="list-style-type: none"> • Make sure gas shutoff at dryer and main shutoff are fully open.
	There are 2 house fuses in the dryer circuit. If 1 of the 2 fuses is blown, the drum may turn but the heater will not operate	<ul style="list-style-type: none"> • Replace fuse.
	Gas supply valve is not open (gas models)	<ul style="list-style-type: none"> • Check to make sure supply valve is open. See <i>Installation Instructions</i> for procedure.
	Dryer does not have enough air supply to support the burner flame (gas models)	<ul style="list-style-type: none"> • See <i>Installation Instructions</i>.
	LP gas supply tank is empty or there has been a utility interruption of natural gas (gas models)	<ul style="list-style-type: none"> • Refill or replace tank. Dryer should heat when utility service is restored.
Dryer shakes or makes noise	Some shaking/ noise is normal. Dryer may be sitting unevenly	<ul style="list-style-type: none"> • Move dryer to an even floor space, or adjust leveling legs as necessary until even.
Greasy spots on clothes	Improper use of fabric softener	<ul style="list-style-type: none"> • Follow directions on fabric softener package.
	Drying dirty items with clean ones	<ul style="list-style-type: none"> • Use your dryer to dry only clean items. Dirty items can stain clean items and the dryer.
	Clothes were not completely clean	<ul style="list-style-type: none"> • Sometimes stains which cannot be seen when the clothes are wet <i>appear</i> after drying. Use proper washing procedures before drying.
Lint on clothes	Lint filter is full	<ul style="list-style-type: none"> • Clean lint screen before each load.
	Improper sorting	<ul style="list-style-type: none"> • Sort lint producers (like chenille) from lint collectors (like corduroy).
	Static electricity can attract lint	<ul style="list-style-type: none"> • See suggestions in this section under <i>STATIC</i>.
	Overloading	<ul style="list-style-type: none"> • Separate large loads into smaller ones.
	Paper, tissue, etc., left in pockets	<ul style="list-style-type: none"> • Empty all pockets before laundering clothes.

Before you call for service...

Problem	Possible Causes	What To Do
Static occurs	Overdrying	<ul style="list-style-type: none"> • Try a fabric softener. • Adjust controls for less drying.
	No fabric softener was used	<ul style="list-style-type: none"> • Try a fabric softener.
	Synthetics, permanent press and blends can cause static	<ul style="list-style-type: none"> • Try a fabric softener.
Inconsistent drying times	Type of heat	<ul style="list-style-type: none"> • Automatic drying times will vary according to the type of heat used (electric, natural or LP gas), size of load, types of fabrics, wetness of clothes and condition of exhaust ducts.
Clothes take too long to dry	Improper sorting	<ul style="list-style-type: none"> • Separate heavy items from lightweight items (generally, a well-sorted washer load is a well-sorted dryer load).
	Large loads of heavy fabrics (like beach towels)	<ul style="list-style-type: none"> • Large, heavy fabrics contain more moisture and take longer to dry. Separate large, heavy fabrics into smaller loads to speed drying time.
	Controls improperly set	<ul style="list-style-type: none"> • Match control settings to the load you are drying.
	Lint filter is full	<ul style="list-style-type: none"> • Clean lint filter before every load.
	Improper or obstructed ducting	<ul style="list-style-type: none"> • Check <i>Installation Instructions</i> for proper ducting/venting. • Make sure ducting is clean, free of kinks and unobstructed. • Check to see if outside wall damper operates easily. • Check the <i>Installation Instructions</i> to make sure the dryer venting is correct.
	Blown fuses or tripped circuit breaker	<ul style="list-style-type: none"> • Replace fuses or reset circuit breakers. Since most dryers use two fuses/breakers, make sure both are operating.
	Overloading/combining loads	<ul style="list-style-type: none"> • Do not put more than one washer load in the dryer at a time.
Clothes are wrinkled	Underloading	<ul style="list-style-type: none"> • If you are drying only one or two items, add a few items to ensure proper tumbling.
	Overdrying	<ul style="list-style-type: none"> • Select a shorter drying time. • Remove items while they still hold a slight amount of moisture.
	Letting items sit in dryer after cycle ends	<ul style="list-style-type: none"> • Remove items when cycle ends and fold or hang immediately.
Clothes shrink	Some fabrics will naturally shrink when washed. Others can be safely washed, but will shrink in the dryer	<ul style="list-style-type: none"> • To avoid shrinkage, follow garment care labels exactly. • Some items may be pressed back into shape after drying. • If you are concerned about shrinkage in a particular item, do not machine wash or tumble dry it.

Notes.

<i>Safety Instructions</i>	<i>Operating Instructions</i>	<i>Installation Instructions</i>	<i>Troubleshooting Tips</i>	<i>Customer Service</i>
-----------------------------------	--------------------------------------	---	------------------------------------	--------------------------------

GE Dryer Warranty. (For customers in the United States)



All warranty service provided by our Factory Service Centers, or an authorized Customer Care® technician. For service, call 800-GE-CARES.

For The Period Of: GE Will Replace:

One year

From the date of the original purchase

Any part of the dryer which fails due to a defect in materials or workmanship. During this **full one-year warranty**, GE will also provide, **free of charge**, all labor and in-home service to replace the defective part.

What GE Will Not Cover:

- Service trips to your home to teach you how to use the product.
- Replacement of house fuses or resetting of circuit breakers.
- Improper installation.
- Damage to the product caused by accident, fire, floods or acts of God.
- Failure of the product if it is abused, misused, or used for other than the intended purpose or used commercially.
- Incidental or consequential damage caused by possible defects with this appliance.

This warranty is extended to the original purchaser and any succeeding owner for products purchased for home use within the USA. In Alaska, the warranty excludes the cost of shipping or service calls to your home.

Some states do not allow the exclusion or limitation of incidental or consequential damages. This warranty gives you specific legal rights, and you may also have other rights which vary from state to state. To know what your legal rights are, consult your local or state consumer affairs office or your state's Attorney General.

Warrantor: General Electric Company. Louisville, KY 40225

GE Dryer Warranty. (For customers in Canada)



All warranty service provided by our Factory Service Centers, or an authorized technician. For service, call 1-800-361-3400.

For The Period Of: **GE Will Replace:**

One year
From the date of the original purchase

Any part of the dryer which fails due to a defect in materials or workmanship. During this **full one-year warranty**, GE will also provide, **free of charge**, all labor and in-home service to replace the defective part.

What GE Will Not Cover:

- Service trips to your home to teach you how to use the product.
- Improper installation.
- Failure of the product if it is abused, misused, or used for other than the intended purpose or used commercially.
- Replacement of house fuses or resetting of circuit breakers.
- Damage to the product caused by accident, fire, floods or acts of God.
- Incidental or consequential damage caused by possible defects with this appliance.

WARRANTOR IS NOT RESPONSIBLE FOR CONSEQUENTIAL DAMAGES

Warrantor: CAMCO INC.

Safety Instructions

Operating Instructions

Installation Instructions

Troubleshooting Tips

Customer Service

Service Telephone Numbers.



GE Answer Center® In the U.S.: 800-626-2000

The GE Answer Center® is open 24 hours a day, 7 days a week.

In Canada, call 1-800-361-3400.

OR

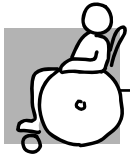
Visit our Website at: www.geappliances.com



In-Home Repair Service In the U.S.: 800-432-2737

Expert GE repair service is only a phone call away.

In Canada, call 1-800-361-3400.



Special Needs Service In the U.S.: 800-626-2000

GE offers, free of charge, a brochure to assist in planning a barrier-free kitchen for persons with limited mobility. **In the U.S., call 800-TDD-GEAC (800-833-4322).**

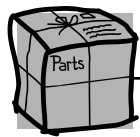
In Canada, contact: Manager, Consumer Relations, Camco Inc., 1 Factory Lane, Suite 310, Moncton, N.B., E1C 9M3.



Service Contracts In the U.S.: 800-626-2224

Purchase a GE service contract while your warranty is still in effect and you'll receive a substantial discount. GE Consumer Service will still be there after your warranty expires.

In Canada, call 1-800-461-3636.



Parts and Accessories In the U.S.: 800-626-2002

Individuals qualified to service their own appliances can have parts or accessories sent directly to their homes (VISA, MasterCard and Discover cards are accepted).

Instructions contained in this manual cover procedures to be performed by any user. Other servicing generally should be referred to qualified service personnel. Caution must be exercised, since improper servicing may cause unsafe operation.

In Canada, please consult your yellow pages for your local Camco number.



Service Satisfaction

If you are not satisfied with the service you receive from GE:

First, contact the people who serviced your appliance.

Next, if you are still not pleased, **in the U.S.**, write all the details—including your phone number—to: Manager, Customer Relations, GE Appliances, Appliance Park, Louisville, KY 40225; or, **in Canada**, to Manager, Consumer Relations, Camco Inc., 1 Factory Lane, Suite 310, Moncton, N.B., E1C 9M3.



Spacemaker SÉCHEUSES

Mesures de sécurité 3-5

Directives de fonctionnement

Tableaux de commande 6

Caractéristiques 7

Chargement et utilisation
de la sècheuse 8

Entretien 8

Directives d'installation 9-21

Installations électriques pour
sècheuses électrique 16, 17

Installations électriques 11

Évacuation 12, 13

Raccord au gaz pour
sècheuses à gaz 19

Exigences—alimentation en gaz 14

Emplacement 15

Installation dans une
maison mobile 16

Préparation pour l'installation
de la sècheuse 9, 10

Inversion de l'ouverture
de la porte 21

Superposition
sècheuse/laveuse 20, 21

Conseils de dépannage 22, 23

Service à la clientèle

Numéros de service 26

Garantie pour les clients aux É-U ... 24

Garantie pour les clients
au Canada 25

**Manuel de l'utilisateur &
Directives d'installation**

DSXH43
DPXH46
DH43
PSXH43



Un partenariat de service.



IMPORTANT!

Agrafez ici votre facture ou une copie de votre chèque.

Pour bénéficier de réparations sous garantie, il faut fournir une preuve de la date d'achat d'origine.



À CONSERVER SOIGNEUSEMENT

Transcrivez les numéros de modèle et de série ici.

N°

N°

Vous les trouverez au côté gauche de l'ouverture de la porte.



LISEZ VOTRE MANUEL

Vous y trouverez de nombreux conseils pour l'utilisation et l'entretien de votre sècheuse. Ces quelques mesures préventives vous permettront d'économiser du temps et de l'argent, et, ainsi, de prolonger la vie de votre sècheuse.



SI VOUS AVEZ BESOIN DE SERVICE

Vous trouverez des solutions aux problèmes courants que vous pourriez rencontrer dans la section *Avant d'appeler un réparateur*. Et, en consultant d'abord nos *Conseils de dépannage*, vous pourrez peut-être éviter de faire appel à un réparateur.

Si vous avez besoin de service, vous savez que vous n'avez qu'à nous téléphoner. Vous trouverez à la fin du présent manuel les numéros sans frais du service à la clientèle.

OU

Visitez notre site Web à : www.geappliances.com

MESURES DE SÉCURITÉ IMPORTANTES. LISEZ D'ABORD TOUTES LES DIRECTIVES.

▲ AVERTISSEMENT!

Pour votre sécurité, suivez les directives fournies dans le présent manuel afin de minimiser les risques d'incendie, d'explosion et de chocs électriques et prévenir des dégâts matériels et des blessures graves ou mortelles.

■ **N'entreposez pas ou n'utilisez pas d'essence ou autres vapeurs ou liquides inflammables à proximité de cet appareil ou de tout autre électroménager.**

■ **L'installation et les réparations doivent être effectuées par un installateur qualifié, une entreprise de réparation ou votre fournisseur de gaz.**

SI VOUS REMARQUEZ UNE ODEUR DE GAZ :

1 **N'allumez pas d'allumette ou de cigarette, ou ne faites fonctionner aucun appareil à gaz ou électrique.**

4 **Appelez immédiatement votre fournisseur de gaz en utilisant le téléphone d'un voisin. Suivez les directives qu'il vous donnera.**

2 **N'actionnez aucun interrupteur; n'utilisez aucun téléphone dans votre édifice.**

5 **Si vous ne pouvez joindre votre fournisseur de gaz, appelez les pompiers.**

3 **Évacuez la pièce, l'édifice ou les environs.**

Loi sur les produits toxiques et l'eau potable de la Californie

En vertu de cette loi, le Gouverneur de la Californie est tenu de publier une liste des substances reconnues par l'État comme pouvant causer le cancer, des malformations congénitales ou autres problèmes du genre et d'obliger les entreprises à avertir leurs clients de toute exposition potentielle à de telles substances.

Les électroménagers à gaz peuvent entraîner une exposition mineure à quatre de ces substances, en l'occurrence le benzène, le monoxyde de carbone, le formaldéhyde ou la suie, attribuables principalement à la combustion incomplète du gaz naturel ou du gaz de pétrole liquéfié.

Une sècheuse bien réglée réduit au minimum les risques de combustion incomplète. Pour réduire au minimum l'exposition à ces substances, faites évacuer l'air de la sècheuse à l'extérieur.



UNE INSTALLATION ADÉQUATE

Avant d'utiliser votre sècheuse, assurez-vous qu'elle a été adéquatement installée, conformément aux Directives d'installation.

- Mettez l'appareil à la terre conformément à tous les codes et règlements en vigueur. Suivez les Directives d'installation.
- Installez ou entreposez l'appareil dans une pièce où la température est supérieure à 0 °C, et où il sera à l'abri des intempéries.
- Branchez l'appareil sur un circuit protégé et de capacité appropriée afin d'éviter toute surcharge électrique.
- Retirez tous les articles d'emballage tranchants et jetez tous les matériaux de transport.

Conduit d'évacuation :

- 1 L'air de cette sècheuse **DOIT** être évacué à l'extérieur.
- 2 N'utilisez qu'un conduit métallique rigide ou souple de 4 po de diamètre à l'intérieur de la carrosserie de la sècheuse ou pour l'évacuation vers l'extérieur. **L'UTILISATION D'UN CONDUIT DE PLASTIQUE OU FABRIQUÉ AVEC TOUT AUTRE MATÉRIAU COMBUSTIBLE PEUT CAUSER UN INCENDIE. LORSQU'UN CONDUIT EST PERFORÉ OU DEVIENT OBSTRUÉ AU COURS DE L'UTILISATION OU DE L'INSTALLATION, IL PEUT CAUSER UN INCENDIE.**

Pour des détails complets, suivez les Directives d'installation.

MESURES DE SÉCURITÉ IMPORTANTES. LISEZ D'ABORD TOUTES LES DIRECTIVES.

⚠ AVERTISSEMENT!



AUTOUR DE VOTRE SÉCHEUSE

- Ne laissez pas s'accumuler autour et au-dessous de vos électroménagers des matériaux combustibles, comme de la charpie, du papier, des chiffons, des produits chimiques, etc.
- Gardez le sol propre et sec à proximité de vos électroménagers afin de ne pas glisser.
- Ne laissez pas s'accumuler de la charpie, de la poussière et de la saleté autour de l'ouverture d'évacuation et autour de votre sècheuse.
- Assurez-vous de laisser l'air circuler. N'empilez pas ou ne placez pas de vêtements ou de chiffons contre l'avant ou l'arrière de la sècheuse.
- Il faut exercer une étroite surveillance lorsque vous faites fonctionner cet appareil en présence d'enfants. Ne les laissez pas jouer sur, avec ou dans cet appareil ou dans tout autre appareil.
- Gardez tous les produits pour la lessive (comme les détersifs, les javellisants, etc.) hors de la portée des enfants, de préférence dans une armoire fermée à clef. Suivez toutes les mises en garde sur les étiquettes pour éviter des blessures.
- Ne montez jamais sur le dessus de la sècheuse.



LORSQUE VOUS UTILISEZ LA SÉCHEUSE

- Ne vous penchez jamais dans la sècheuse pendant que le tambour tourne. Avant de charger ou de décharger la sècheuse ou d'y ajouter des vêtements, attendez que le tambour se soit complètement arrêté.
- Avant chaque séchage, nettoyez le filtre à charpie afin de prévenir l'accumulation de charpie à l'intérieur de la sècheuse ou dans la pièce.
NE FAITES PAS FONCTIONNER LA SÉCHEUSE SANS LE FILTRE À CHARPIE. Remettez toujours le filtre à charpie en place lorsque vous avez fini d'utiliser la grille de séchage.
- Ne lavez pas ou ne faites pas sécher des articles qui ont été lavés avec des produits combustibles ou explosifs, ou qui ont été trempés dans ces produits ou qui en sont tachés (cire, peinture, huile, essence, dégraissants, solvants pour le nettoyage à sec, kérosène, etc.), car ils risquent de s'enflammer ou d'exploser. Ne versez pas ces substances dans l'eau de la laveuse. N'utilisez pas ces substances à proximité de votre laveuse ou de votre sècheuse pendant qu'elles fonctionnent.
- Il ne faut pas mettre dans la sècheuse, ou à proximité de celle-ci, tout article ayant été utilisé avec un solvant dégraissant ou contenant une substance inflammable (comme des chiffons de nettoyage, des vadrouilles, des serviettes utilisées dans les salons de coiffure, etc.), à moins qu'ils aient été débarrassés de toute trace et de toute vapeur de substance inflammable. On utilise à la maison de nombreux produits inflammables : acétone, alcool dénaturé, essence, kérosène, nettoyants ménagers, détachants, térébenthine, cire, décapants, contenant du distillat de pétrole.
- La lessive peut atténuer les propriétés ignifugeantes des tissus. Pour éviter cette situation, suivez à la lettre les directives données par le fabricant du vêtement.
- Ne faites pas sécher des articles contenant du caoutchouc, du plastique, de la mousse ou autres matériaux similaires (comme des soutiens-gorge préformés, des chaussures de tennis, des caoutchoucs, des tapis de bain, des carpettes, des bavoirs, des culottes de bébé, des sacs de plastique, des oreillers, etc.), car ces matériaux peuvent fondre ou brûler. De plus, dans certaines circonstances, certains matériaux de caoutchouc peuvent causer un incendie par combustion spontanée lorsqu'ils sont chauffés.
- Ne rangez pas des articles qui peuvent fondre ou brûler, comme du plastique, du papier, ou des vêtements sur le dessus de la sècheuse pendant qu'elle fonctionne.
- Les vêtements portant la mention «*Faire sécher loin de la chaleur*» ou «*Ne pas faire sécher par culbutage*» (comme les gilets de sauvetage contenant du Kapok) ne doivent pas être séchés dans votre sècheuse.
- Ne faites pas sécher d'articles en fibre de verre dans votre sècheuse. Les particules qui restent dans la sècheuse et qui pourraient être recueillies par les vêtements lors d'un séchage subséquent risquent de causer des irritations cutanées.
- Pour réduire les risques de chocs électriques, débranchez toujours l'appareil ou débranchez la sècheuse au panneau de distribution en enlevant le fusible ou en déclenchant le disjoncteur avant de le réparer ou de le nettoyer (sauf pour enlever et nettoyer le filtre à charpie). **REMARQUE :** Le fait de placer le sélecteur de programme à une position **OFF** ne coupe **PAS** l'alimentation électrique de l'appareil.
- N'utilisez pas de produit en aérosol dans, sur ou près de votre sècheuse.
- Ne rangez pas dans votre sècheuse des articles qui ont été en contact avec des huiles de cuisson; ceux-ci peuvent provoquer une réaction chimique susceptible de faire s'enflammer vos vêtements.



AVERTISSEMENT!

- Ne faites pas fonctionner l'appareil s'il est endommagé, défectueux, partiellement démonté, ou si des pièces sont manquantes ou défectueuses, ou si le cordon d'alimentation ou la fiche sont endommagés.
- L'intérieur de l'appareil et le raccord du conduit d'évacuation à l'intérieur de la sècheuse doivent être nettoyés une fois par an par une personne qualifiée. Voyez la section *Utiliser et charger la sècheuse*. N'utilisez pas de dégraissant en aérosol lorsque vous nettoyez l'intérieur de la sècheuse. Des émanations dangereuses ou un choc électrique peuvent survenir.
- Si votre sècheuse fonctionne au gaz, elle est pourvue d'un système d'allumage électrique automatique et ne possède pas de veilleuse. **N'ESSAYEZ PAS DE L'ALLUMER AVEC UNE ALLUMETTE.** Vous risquez de vous brûler si vous approchez votre main du brûleur et que le dispositif d'allumage automatique s'allume.
- Il est possible que vous désiriez assouplir votre lessive ou réduire le collement électrostatique en utilisant un assouplissant textile dans votre sècheuse ou un produit antistatique. Nous vous recommandons d'utiliser un assouplissant liquide au cours du programme de lavage, conformément aux directives du fabricant de ce type de produit, ou de faire l'essai d'un assouplissant textile pour la sècheuse, pour lequel le fabricant certifie sur l'emballage que son produit peut être utilisé en toute sécurité dans la sècheuse. La responsabilité des problèmes de rendement ou de fonctionnement qui ne sont pas couverts par la garantie de cet appareil et sont attribuables à l'utilisation de ces produits relève du fabricant de ces produits.



LORSQUE LA SÈCHEUSE N'EST PAS UTILISÉE

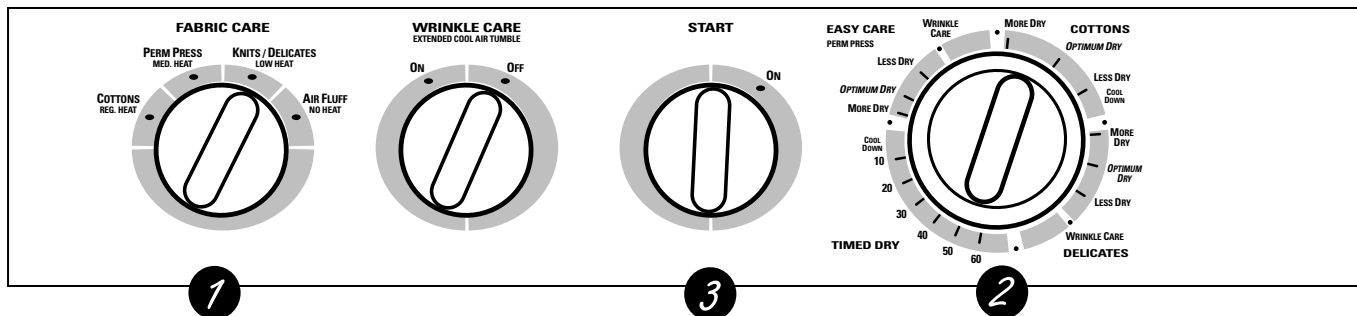
- Lorsque vous débranchez l'appareil, tirez sur la fiche et non pas sur le cordon afin d'éviter d'endommager le cordon d'alimentation. Installez le cordon de sorte que personne ne marche ou ne trébuche dessus, ou qu'il ne soit pas exposé à des dommages.
- Avant de jeter ou d'entreposer une sècheuse, enlevez toujours la porte afin d'empêcher les enfants de se cacher à l'intérieur.
- Ne trafiquez pas les commandes de l'appareil.
- Ne réparez ou ne remplacez aucune pièce de cet appareil, à moins que cela ne soit spécifiquement recommandé dans le présent manuel ou dans des directives de réparation que vous comprenez et que vous êtes en mesure de suivre.



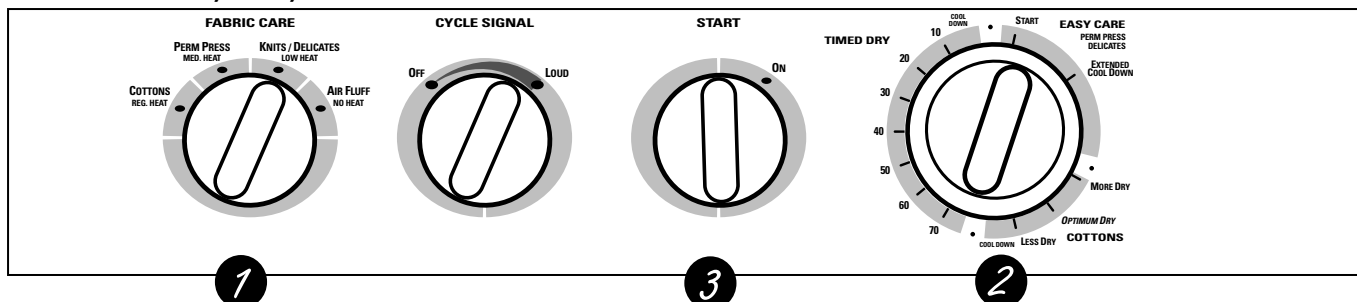
VEUILLEZ LIRE ET SUIVRE ATTENTIVEMENT CES MESURES DE SÉCURITÉ
CONSERVEZ CES DIRECTIVES

Les commandes de votre sècheuse.

Modèle DPXH46



Modèles DSXH43, DH43, et PSXH43



Les caractéristiques et l'aspect peuvent varier.



Réglage des commandes

1 Entretien des tissus

COTTONS (cotons/temp. régulière) Pour les cotons ordinaires ou lourds.

PERM. PRESS MED HEAT (tissus sans repassage/chaueur moyenne) Pour les tissus synthétiques, les mélanges et les articles portant la mention *sans repassage* ou *culbutage à chaleur moyenne*.

KNITS/ DELICATES LOW HEAT (tricot/délicats/faible temp.) Pour les tricots, les tissus délicats, les synthétiques et les articles portant la mention *sécher par culbutage à faible chaleur*.

AIR FLUFF NO HEAT (duvetage/sans chaleur) Pour faire « aérer » les articles sans chaleur. Utilisez le programme **TIMED DRY** (séchage minuté).

2 Programmes de séchage

Les programmes **COTTONS**, **EASY CARE** et **DELICATES** déterminent automatiquement la sécheresse des tissus. Choisissez **MORE DRY** (plus sec) pour les tissus plus lourds, et **LESS DRY** (moins sec) pour les tissus plus légers. Le programme **TIMED DRY** (séchage minuté) fonctionne pour une durée choisie.

COTTONS (cotons) Pour les cotons et la plupart des articles en lin. Pour la plupart des brassées, choisissez le réglage **Optimum Dry** (séchage optimal) (sur certains modèles).

EASY CARE (entretien facile) Pour les articles sans repassage, sans froissage et articles délicats, et les tricots. Pour la plupart des brassées, choisissez le réglage **Optimum Dry** (séchage optimal) (sur certains modèles).

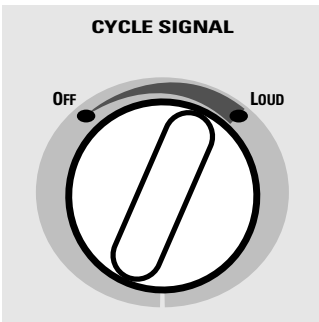
DELICATES (délicats) Pour les tissus délicats et nécessitant un soin particulier. Pour la plupart des brassées, choisissez le réglage **Optimum Dry** (séchage optimal) (sur certains modèles).

TIMED DRY (séchage minuté) Positionnez le Cycle Selector (sélecteur de cycle) sur le temps de séchage souhaité.

3 Mise en marche

Tournez le bouton **START** dans le sens des aiguilles d'une montre jusqu'à **ON**. Maintenez-le durant 1 à 2 secondes puis relâchez-le. Lorsque vous ouvrez la porte pendant qu'elle fonctionne, la sècheuse s'arrête. Pour la remettre en marche, fermez la porte, actionnez le bouton **START** dans le sens des aiguilles d'une montre jusqu'à **ON**, maintenez-le durant 1 à 2 secondes puis relâchez-le.

Les caractéristiques de la sècheuse.



Cycle Signal Option (indicateur de fin de programme) (sur certaines modèles)

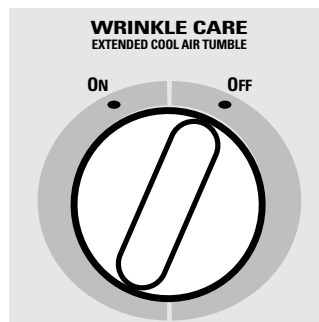
Lorsque le signal est activé, il se fera entendre juste avant la fin du cycle afin de vous rappeler de retirer les vêtements. Il peut être réglé sur **OFF** (aucun son), **LOUD** (fort) ou sur n'importe quelle position intermédiaire entre **OFF** et **LOUD**.

S'il ne vous est pas possible de retirer promptement la brassée pendant le cycle **EASY CARE** (entretien facile), le sélecteur de cycle avancera sur la position **EXTENDED COOL DOWN** (temps de refroidissement prolongé). Le culbutage sans chauffage se poursuit sur la position **EXTENDED COOL DOWN** et **WRINKLE CARE** (option de défroissage) [sur certaines modèles] sependant 40 minutes afin de réduire le froissage. Lorsque le **CYCLE SIGNAL** est activé, il se fera entendre

brèvement toutes les cinq minutes pour vous rappeler de retirer la brassée.

REMARQUE :

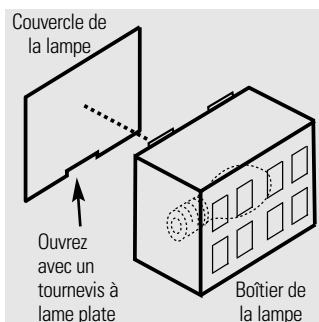
- Si les articles sont retirés avant la fin du programme, ramenez le **SÉLECTEUR DE PROGRAMME** à **OFF**.
- Sortez rapidement les vêtements au signal sonore. Suspendez-les sur des cintres afin d'éviter qu'ils se froissent.
- Réglez l'avertisseur surtout lorsque vous faites sécher des tissus comme des tricots de polyester et des vêtements sans repassage. Il faut sortir rapidement ces tissus de la sècheuse pour éviter la formation de faux plis.



Wrinkle Care Option (option de défroissage) (sur certaines modèles)

Utilisez cette option afin de minimiser le froissage des vêtements. Elle assure environ 15 minutes de culbute sans chauffage après que les vêtements sont secs.

L'option ne peut être utilisée qu'avec les cycles **EASY CARE** (entretien facile) et **DELICATES** (délicats).



Lampe de tambour (sur certaines modèles)

⚠ AVERTISSEMENT : Pour réduire les risques de chocs électriques, débranchez cet appareil avant de le réparer. Le fait de placer le sélecteur de programme à la position **OFF** ne coupe PAS l'alimentation électrique de l'appareil.

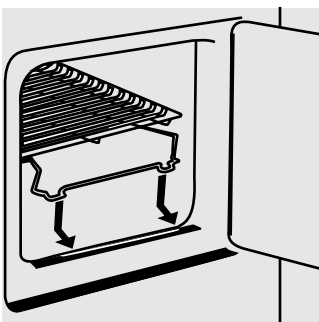
La lampe du tambour est située au-dessus de l'ouverture de chargement de la sècheuse.

Avant de remplacer la lampe, assurez-vous de débrancher l'appareil ou de

débrancher la sècheuse au panneau de distribution en enlevant le fusible ou en déclenchant le disjoncteur.

Pour remplacer la lampe du tambour :

- 1 À l'aide d'un petit tournevis à lame plate, séparez le couvercle de la lampe du boîtier de la lampe.
- 2 Dévissez la lampe lorsqu'elle est froide et remplacez-la avec une lampe pour électroménager de même puissance ou plus faible.
- 3 Remplacez le couvercle de la lampe sur le boîtier de la lampe.



Grille de séchage (sur certaines modèles)

Une grille de séchage pratique vous permet de faire sécher des articles tels que les jouets en peluche, les oreillers ou les tricots lavables.

- 1 Enlevez le filtre à charpie.
- 2 Placez la barre avant sous le bord de l'ouverture du filtre à charpie.
- 3 Lorsque les articles sont secs, enlevez la grille et remplacez le filtre à charpie. **N'UTILISEZ PAS LA SÈCHEUSE SANS LE FILTRE À CHARPIE SI LA GRILLE DE SÈCHAGE N'EST PAS EN PLACE.**

REMARQUE :

- La grille de séchage doit être utilisée avec le programme **TIMED DRY** (séchage minuté).
- Ne vous servez pas de la grille lorsqu'il y a d'autres vêtements à l'intérieur de la sècheuse.

Utilisation et chargement de la sècheuse.

Lors de la lessive, observez toujours les directives données sur l'étiquette d'entretien du vêtement.



Conseils pour le tri et le chargement

En règle générale, lorsque les vêtements sont correctement triés pour le lavage, ils le sont aussi pour le séchage.

N'ajoutez pas votre feuille d'assouplissant textile lorsque la brassée a commencé à chauffer, car elle risque de provoquer des taches d'assouplissant. Les feuilles d'assouplissant de tissu Bounce® pour sècheuses ont été approuvées pour toutes les sècheuses GE si elles sont utilisées conformément aux instructions du fabricant.

Ne surchargez pas la sècheuse car c'est une perte d'énergie et cela peut provoquer des faux-plis.

Ne faites pas sécher les articles suivants dans la sècheuse : articles en fibre de verre, lainages, articles recouverts de caoutchouc, plastiques, articles dotés d'une garniture en plastique, articles remplis de mousse de caoutchouc.



Entretien et nettoyage de la sècheuse

Extérieur : Essuyez les produits de lessive renversés, et enlevez la poussière avec un linge humide. Le fini et le tableau de commande de la sècheuse peuvent être endommagés par certains produits de traitement préliminaire et détachants. Appliquez ces produits loin de la sècheuse. Vous pouvez ensuite laver et faire sécher les vêtements normalement. Les dommages causés à votre sècheuse par ces produits ne sont pas couverts par votre garantie.

Filtre à charpie : Nettoyez le filtre à charpie avant chaque utilisation. L'accumulation de charpie sur le filtre limite la circulation d'air, ce qui provoque un allongement des durées de séchage. Le filtre est situé à la partie inférieure de l'ouverture de chargement de la sècheuse. Enlevez-le en le tirant en ligne droite. Enlevez la charpie et remplacez le filtre.

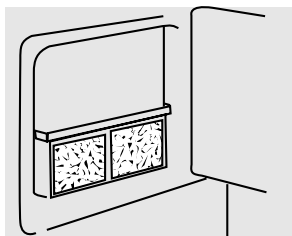
Une accumulation cirreuse peut se former sur le filtre à charpie en raison de l'utilisation de feuilles d'assouplissant textile. Pour enlever cette accumulation, laver le filtre à charpie dans de l'eau chaude savonneuse. Asséchez-le bien et remettez-le en place. N'utilisez pas la sècheuse sans le filtre à charpie.

Conduit d'évacuation : Inspectez et nettoyez au moins une fois par année le conduit d'évacuation de la sècheuse afin d'éviter qu'il se bloque. Lorsque le conduit d'évacuation est partiellement obstrué, cela a pour effet d'allonger la durée de séchage.

Suivez ces étapes :

- 1 Coupez l'alimentation électrique en débranchant le cordon d'alimentation de la prise murale.
- 2 Débranchez le conduit d'évacuation de la sècheuse.
- 3 Passez le tuyau de l'aspirateur dans le conduit d'évacuation, et rebranchez le conduit d'évacuation à la sècheuse.

Évent mural : Vérifiez avec un miroir que les volets à l'intérieur de l'évent bougent facilement quand la sècheuse fonctionne. Assurez-vous qu'il n'y a pas de nid (d'oiseaux, d'insectes, etc.) à l'intérieur du conduit d'évacuation ou de l'évent.



Directives d'installation

Sécheuse Spacemaker

Modèles **DSXH43**
DPXH46
DH43
PSXH43

Questions? Visitez notre site Web à : www.geappliances.com ou appelez le 1-800-361-3400

AVANT DE COMMENCER :

Lire attentivement la totalité de ces instructions.

- **IMPORTANT** – Sauvegardez ces instructions pour utilisation future par l'inspecteur.
- **IMPORTANT** – Respectez tous les codes et règlements applicables.
- **Note à l'installateur** – Assurez-vous de laisser ces instructions au Consommateur.
- **Note au consommateur** – Gardez ces instructions pour future référence.
- **Niveau de compétence** – L'installation de cet appareil nécessite des connaissances mécaniques et électriques de base.
- **Temps de travail prévu** – 1 à 3 heures
- L'installateur est responsable d'effectuer une installation correcte.
- Tout problème causé par une installation incorrecte n'est pas couvert par la garantie.

POUR VOTRE SÉCURITÉ :

▲ AVERTISSEMENT

- L'air de cette sécheuse doit être évacué à l'extérieur en utilisant uniquement un conduit métallique rigide ou souple de 4 po de diamètre à l'intérieur de la carrosserie de la sécheuse ou pour l'évacuation vers l'extérieur.
- N'utilisez jamais de conduit en plastique ou fabriqué avec tout autre matériau combustible. Veuillez vous référer à la section *Évacuation*.
- Cet appareil doit être convenablement mis à la terre et installé de la façon décrite aux *Directives d'installation*.
- N'installez pas ou n'entrez pas cet appareil dans un endroit où il sera exposé à l'eau/la température extérieure. Veuillez vous référer à la section *Emplacement de votre sécheuse*.
- Le Code national du gaz des É.-U. restreint l'installation **d'appareils utilisant le gaz** dans les garages. Ils doivent se trouver à 18 po (45,7 cm) du sol et protégés des véhicules par un cloison. Veuillez vous référer à la section *Emplacement de votre sécheuse*.
- Le **raccordement électrique** de la sécheuse doit respecter les codes et règlements locaux et les exigences de l'édition la plus récente du Code national de l'électricité, ANSI/NFPA 70 ou au Canada la norme CSA C22.1 du Code canadien de l'électricité, 1^{ère} partie.
- Le **raccordement du gaz** à la sécheuse doit respecter les codes et règlements locaux et les exigences de l'édition la plus récente du Code national du gaz des É.-U. ANSI Z223.1 ou au Canada la norme CAN/CGA B149.12. La sécheuse à gaz est désignée sous ANSI Z21.5.1 ou ANSI/UL2158-CAN/CSA C22.2 (les plus récentes éditions) pour **utilisation domestique seulement**. Cette sécheuse n'est pas recommandée pour une utilisation commerciale telle que dans les restaurants, les salons de beauté, etc.

Directives d'installation

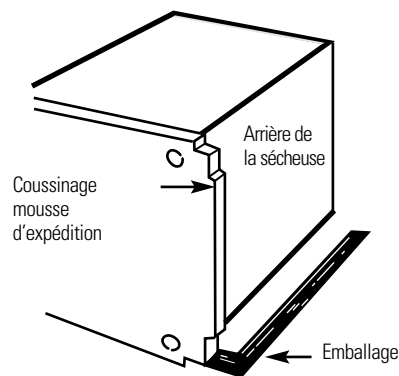
Matériel et outillage nécessaires

- Tournevis Phillips
- Pinces Channel-lock réglables (pour régler les pattes de réglage)
- Niveau à bulle
- Tournevis plat ou droit (peut être nécessité pour assurer le mou dans le cordon d'alimentation)
- Ruban adhésif pour gaine de ventilation
- Gaine en métal flexible ou rigide certifiée UL de 4" (10,2 cm)
- Hotte pour la mise à l'air libre
- Clef de 1/4" (retirez le couvercle d'accès aux bornes et montez le cordon) (**SÉCHEUSE ÉLECTRIQUE**)
- Pâte à joint pour filetage de tuyau (**SÉCHEUSE À GAZ**)
- Couteau en plastique
- Clef plate de 1/2" (pour immobiliser les pattes de réglage)
- Serre-câble certifié UL (peut être fourni avec le cordon)
- Cordon d'alimentation à 3 fils (#10 AWG) pour courant de 240 volts, 30 ampères certifié UL requis (structure existante aux États-Unis)
- Cordon d'alimentation à 4 fils (#10 AWG) pour courant de 240 volts, 30 ampères certifié UL (structure nouvelle aux États-Unis)
- Tuyau de branchement en acier flexible inoxydable ou en laiton recouvert de plastique (si autorisé par le code de construction) (**SÉCHEUSE À GAZ**)
- Clefs plates pour tuyau flexible et raccord de branchement (**SÉCHEUSE À GAZ**)

Déballage de la sècheuse

1. Placez les quatre montants d'angle du carton d'emballage sur le plancher, parallèles les uns aux autres, à 2 ou 3 pouces de distance. Couchez lentement la sècheuse sur le côté gauche sur les montants d'angle. Enlevez le coussinage mousse d'expédition.

⚠ MISE EN GARDE : Pour prévenir les dommages, n'utilisez pas le panneau de commande pour redresser ou déplacer la sècheuse.



2. Ramenez la sècheuse en position debout.

Directives d'installation

Bien lire ces directives.

Renseignements sur les raccords électriques pour sècheuses électriques

⚠ AVERTISSEMENT – Pour réduire les risques d'incendie, de chocs électriques ou de blessure :

- **N'UTILISEZ PAS DE RALLONGE ÉLECTRIQUE AVEC CET APPAREIL.**
- **CET APPAREIL DOIT ÊTRE CORRECTEMENT MIS À LA TERRE.**

Cette sècheuse doit être mise à la terre en conformité avec les codes et règlements locaux, ou en l'absence de codes locaux, en conformité avec le **CODE NATIONAL DE L'ÉLECTRICITÉ, ANSI/NFPA N° 70**, ou au Canada la norme **CSA C22.1 du Code canadien de l'électricité, 1^{ère} partie.**

Exigences

- Cette sècheuse doit être raccordée à un circuit de dérivation individuel, protégé par les fusibles ou coupe-circuits requis. Installation de 208 V ou 240 V, 30 A.
- Alimentation électrique : 3 fils 240 volts, courant alternatif monophasé 60 Hz. (Au Canada 240 volts, courant alternatif monophasé 60 Hz)
- Utilisez des conducteurs en cuivre seulement.
- Si la distribution d'électricité ne respecte pas les exigences décrites plus haut, veuillez contacter un électricien agréé.

REMARQUE : Un diagramme de câblage est situé sous le panneau supérieur.

Renseignements sur le raccordement électrique pour sècheuses à gaz

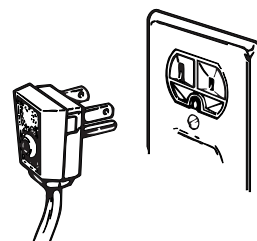
⚠ AVERTISSEMENT – Pour réduire les risques d'incendie, de chocs électriques ou de blessure

- **N'UTILISEZ PAS DE RALLONGE ÉLECTRIQUE OU DE FICHE D'ADAPTATION AVEC CET APPAREIL.**
- **IL NE FAUT JAMAIS COUPER OU ENLEVER LA BROCHE DE MISE À LA TERRE DU CORDON D'ALIMENTATION.**

Cette sècheuse doit être mise à la terre en conformité avec les codes et règlements locaux, ou en l'absence de codes locaux, en conformité avec le **CODE NATIONAL DE L'ÉLECTRICITÉ, ANSI/NFPA N° 70**, ou au Canada la norme **CSA C22.1 du Code canadien de l'électricité, 1^{ère} partie.**

Exigences

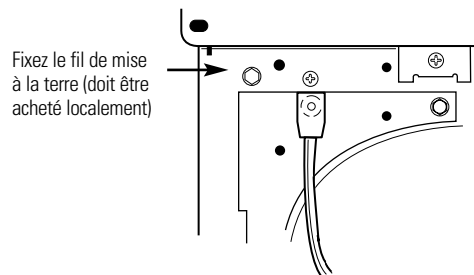
- Cette sècheuse doit être alimentée par un circuit 120 V, 60 Hz, et adéquatement mise à la terre et protégée par un fusible à retardement ou un disjoncteur de 15 ou 20 A.
- Si l'alimentation en électricité ne respecte pas les exigences mentionnées plus haut, nous conseillons fortement de faire installer une prise approuvée par un électricien agréé.



Assurez-vous que la prise soit correctement mise à la terre avant l'utilisation

Prise de terre extérieure (si requise)

Un fil de mise à la terre extérieure (non inclus) qui respecte les exigences des codes locaux peut être ajouté en le fixant à la vis de borne de terre verte située à la partie supérieure à l'arrière de la sècheuse et à une conduite d'eau froide mise à la terre ou à tout autre élément mis à la terre.



REMARQUE : Un diagramme de câblage est situé sous le panneau supérieur.

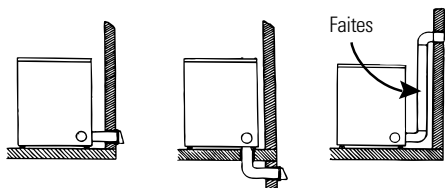
Directives d'installation

Exigences relatives au système d'évacuation

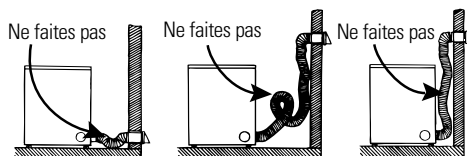
Pour de meilleurs résultats, n'utilisez qu'un conduit métallique rigide de 4 po (10,2 cm) (minimum), ou un conduit souple en métal, et un dispositif d'évacuation homologué muni d'un volet à ressort qui s'ouvre lorsque la sècheuse fonctionne. Lorsque la sècheuse s'arrête, le volet se ferme automatiquement pour empêcher les courants d'air, les insectes et les rongeurs de pénétrer. Pour empêcher l'obstruction de la sortie, conservez un dégagement minimal de 12 po (30 cm) entre le dispositif d'évacuation et le sol et tout autre obstacle.

Si un conduit entièrement métallique ne peut être utilisé, un conduit souple en métal peut alors être utilisé, mais on devra réduire la longueur de conduit recommandée. Veuillez vous référer aux *Directives supplémentaires d'installation* qui suivent.

Correct



Incorrect



⚠ AVERTISSEMENT : Voici des exigences spécifiques pour l'utilisation convenable et sécuritaire de votre sècheuse. Le défaut de suivre ces directives peut causer un allongement des temps de séchage et présenter des dangers d'incendie.

N'utilisez **PAS** de conduit flexible en plastique pour évacuer l'air de la sècheuse. Un excès de charpie peut s'accumuler à l'intérieur du système d'évacuation, présenter un danger d'incendie et empêcher l'air de circuler. Une circulation d'air restreinte allongera les temps de séchage. Si votre système actuel est composé de conduits en plastique ou en papier métallique, remplacez-le par des conduits rigides ou souples en métal. **Assurez-vous que le système d'évacuation actuel soit libre de charpie avant d'installer le conduit de la sècheuse.**

Si l'air de la sècheuse n'est pas évacué à l'extérieur, de fines particules de charpie seront expulsées dans l'environnement de la sècheuse. Une accumulation de charpie dans toute partie de la maison peut s'avérer un danger pour la santé et un danger d'incendie. **Le système d'évacuation de cette sècheuse DOIT ÊTRE ÉVACUÉ À L'EXTÉRIEUR de la résidence.**

⚠ AVERTISSEMENT:

Ne laissez **PAS** de matériaux combustibles (par exemple : vêtements, draperies/rideaux, papier) venir en contact avec le système d'évacuation.

L'air de la sècheuse **NE DOIT PAS** être évacué dans une cheminée, un mur, un plafond, un conduit commun avec un conduit d'évacuation de la cuisine ou tout vide de construction où de la charpie peut s'accumuler et constituer un danger d'incendie.

N'excédez **PAS** la longueur de conduit ou le nombre de coudes permis dans le tableau des **longueurs maximales**. De la charpie peut s'accumuler dans le système d'évacuation, obstruer le système, constituer un danger d'incendie et allonger les temps de séchage.

N'installez **PAS** de filtre à l'extrémité du dispositif d'évacuation et n'utilisez pas de vis ou de rivets pour assembler le dispositif d'évacuation. De la charpie peut s'accrocher à ces filtres, vis et rivets, obstruer le conduit, constituer un danger d'incendie et allonger les temps de séchage. Utilisez un évent mural approuvé à l'extrémité du conduit d'évacuation et scellez tous les joints avec du ruban adhésif en toile. Tous les raccords de conduit mâles **DOIVENT** être installés dans le même sens que le soufflage d'air.

DANGER D'EXPLOSION. N'installez pas la sècheuse près des endroits où de la gazoline ou d'autres matières inflammables sont conservées ou entreposées. Si la sècheuse est installée dans un garage, elle doit reposer à au moins 18 po (45,7 cm) au-dessus du sol. Le défaut de se conformer à cette exigence peut causer un décès, une explosion, un incendie ou des brûlures.

Directives d'installation supplémentaires

Si un conduit entièrement métallique ne peut être utilisé, un conduit souple en métal peut alors être utilisé, mais on devra réduire la longueur de conduit recommandée. Dans le cas d'installations spéciales où il est impossible d'effectuer un raccordement en respectant les directives précédentes, **un conduit de transition pour sècheuse à vêtements homologué UL** peut être utilisé à titre de conduit de transition entre la sècheuse et l'évent mural. L'utilisation de ce conduit allongera les temps de séchage.

Si un conduit de transition est nécessaire, **seul un conduit indiqué à la liste UL pour utilisation avec sècheuse à vêtements est acceptable.**

Les directives suivantes s'appliquent :

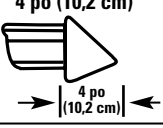

- Utilisez une longueur la plus courte possible.
- Étirez le conduit à son maximum.
- Ne l'écrasez pas ou ne le pliez pas.
- N'utilisez jamais le conduit de transition à l'intérieur des murs ou de la sècheuse.
- Évitez d'appuyer le conduit sur des objets tranchants.
- L'évacuation doit respecter les codes locaux de construction.

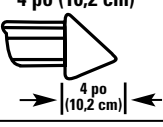

Directives d'installation

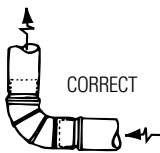
Longueur du conduit d'évacuation

Le système d'évacuation doit être inspecté et nettoyé au moins chaque année s'il est utilisé de façon normale. Plus vous utilisez la sècheuse, plus souvent vous devriez vérifier le système d'évacuation et le dispositif d'évacuation pour vous assurer de son fonctionnement adéquat.

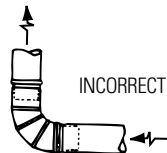
- N'assemblez **PAS** le conduit avec des dispositifs de fixation qui se prolongent dans le conduit. Ils serviraient de point d'attache à la charpie.
- Isolation : Les conduits qui passent dans un endroit non chauffé ou près d'un conduit d'air climatisé devraient être isolés pour réduire la condensation et l'accumulation de charpie.

LONGUEUR MAXIMALE de TUBE MÉTALLIQUE SOUPLE de 4 po (10,2 cm) de dia.			
TYPE DE DISPOSITIF D'ÉVACUATION PRÉFÉRÉ			
Nombre de coudes 90°	4 po (10,2 cm)	à persiennes	
			
0	30 pi (9,14 m)		18 pi (5,49 m)
1	22 pi (6,71 m)		14 pi (4,27 m)
2	14 pi (4,27 m)		10 pi (3,05 m)

LONGUEUR MAXIMALE de TUBE MÉTALLIQUE RIGIDE de 4 po (10,2 cm) de dia.			
TYPE DE DISPOSITIF D'ÉVACUATION PRÉFÉRÉ			
Nombre de coudes 90°	4 po (10,2 cm)	à persiennes	
			
0	48 pi (14,63 m)		40 pi (12,19 m)
1	40 pi (12,19 m)		32 pi (9,75 m)
2	32 pi (9,75 m)		24 pi (7,32 m)



CORRECT

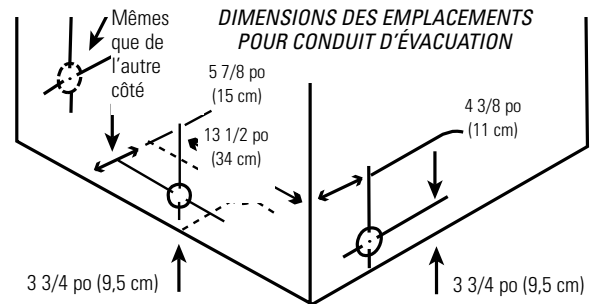


INCORRECT

INSTALLEZ LES RACCORDS MÂLES
DANS LA BONNE DIRECTION

Direction du soufflage

Toutes les sècheuses qui sont expédiées de l'usine sont préparées pour que l'air soit évacué par l'arrière. Cependant, on peut installer l'évacuation d'air des **SÈCHEUSES ÉLECTRIQUES** sur le côté droit ou le côté gauche ou sous la carrosserie de la sècheuse. Sur les **SÈCHEUSES À GAZ**, l'évacuation d'air peut être installée sur le côté droit ou sous la carrosserie de la sècheuse. Une évacuation directionnelle peut être installée en utilisant l'ensemble d'évacuation, N° Pub. 14-A018, disponible chez votre distributeur de pièces. Suivez les directives fournies avec l'ensemble.



Exigences relatives à l'alimentation en gaz

Remplacez les tuyaux de raccordement en laiton qui ne sont pas enrobés de matière plastique. Du laiton en acier inoxydable ou enrobé de matière plastique **DOIT** être utilisé.

⚠ AVERTISSEMENT : N'utilisez jamais de vieux raccords souples. L'utilisation de vieux raccords souples peut provoquer des fuites de gaz et des blessures. Utilisez toujours des connecteurs souples **NEUFS** lorsque vous installez un appareil à gaz.

1. L'installation **DOIT** être conforme aux codes locaux, ou en l'absence de codes locaux, au Code national du gaz des É.-U. ANSI Z223.1 (dernière édition), ou au Canada la norme CSA C22.1 du Code canadien de l'électricité, 1^{ère} partie.
2. Le tuyau d'alimentation de gaz devrait être un tuyau rigide de 1/2 po (1,27 cm).
3. Si les codes le permettent, un tube métallique souple peut être utilisé pour relier votre sècheuse au tuyau d'alimentation de gaz. Le tube **DOIT** être en acier inoxydable ou enrobé de matière plastique.
4. Le tuyau d'alimentation de gaz **DOIT** être muni d'un robinet d'arrêt individuel.
5. Un raccord fileté NPT de 1/8 po (0,32 cm), auquel on peut brancher un manomètre d'essai, **DOIT** être installé immédiatement en amont (au-dessus) du raccord du tuyau d'alimentation de la sècheuse.
6. La sècheuse **DOIT** être débranchée du système d'alimentation de gaz durant toute vérification de pression du système d'alimentation en gaz lorsqu'on utilise une pression supérieure à 1/2 lb/po² (3,45 kPa).
7. La sècheuse **DOIT** être isolée du système d'alimentation en gaz durant toute vérification de pression du système d'alimentation en gaz lorsqu'on utilise une pression égale ou inférieure à 1/2 lb/po² (3,45 kPa).

Directives d'installation

Emplacement

N'installez pas la sècheuse :

1. N'installez pas la sècheuse dans un endroit où elle peut être trempée ou exposée à des intempéries.
2. N'installez pas la sècheuse dans un endroit où elle serait en contact avec des rideaux, des draperies ou tout autre article qui entraverait la circulation d'air adéquate pour la combustion ou la ventilation.
3. N'installez pas la sècheuse sur du tapis.

Le plancher **DOIT** être solide et d'une pente maximale de 1 po (2,54 cm).

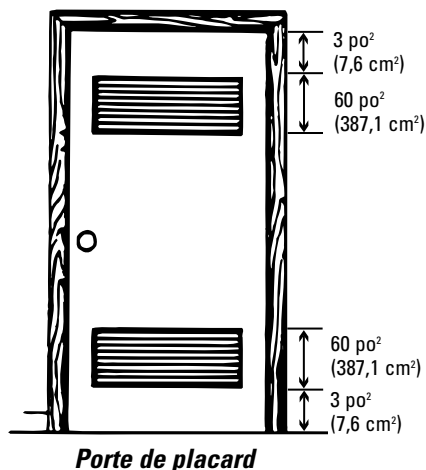
Modèle encastré :

Si vous désirez un modèle encastré*, vous **DEVEZ** installer un ensemble de feuille de finition, N° Pub. 14-A008. L'ensemble est disponible chez un distributeur de pièces autorisé.

*un revêtement de comptoir sur mesure est requis.

Installation dans un renforcement ou un placard :

1. L'air d'une sècheuse installée dans une chambre, une salle de bain, un renforcement ou un placard **DOIT** être évacué à l'extérieur.
2. Aucun autre appareil à combustible ne doit être installé dans le même placard qu'une **SÈCHEUSE À GAZ**.
3. Votre sècheuse doit bénéficier d'un espace pour la ventilation. **N'INSTALLEZ PAS VOTRE SÈCHEUSE DANS UN PLACARD MUNI D'UNE PORTE PLEINE.**
4. Une ouverture minimale de 120 po² (774,2 cm²), répartie également entre le haut et le bas de la porte, est requise. Des ouvertures doivent laisser passer l'air lorsqu'une porte est installée. Une porte à persiennes munie d'ouvertures sur toute sa longueur est acceptable.



Laissez les dégagements suivants pour faciliter l'installation :

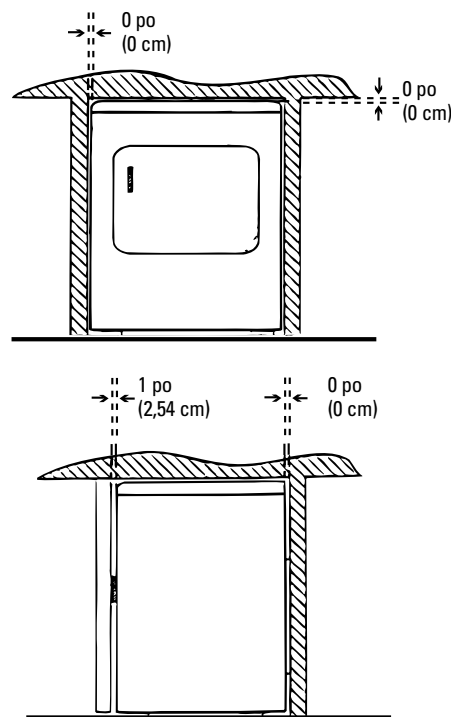
	DEVANT	CÔTÉS	ARRIÈRE	DESSUS
Alcôve ou encastrément	0 (0 cm)	0 (0 cm)	0 (0 cm)	0 (0 cm)

Placard	1 po (2,54 cm)	0 (0 cm)	0 (0 cm)	0 (0 cm)
---------	----------------	----------	----------	----------

Ventilation requise pour la porte du placard : 2 ouvertures à persiennes de 60 po² (387,1 cm²), situées à 3 po (7,6 cm) du haut et du bas de la porte.

L'AIR DE CETTE SÈCHEUSE DOIT ÊTRE ÉVACUÉ À L'EXTÉRIEUR.

5. Les illustrations suivantes indiquent les dimensions minimales pour les dégagements requis pour un fonctionnement adéquat dans un renforcement ou un placard.



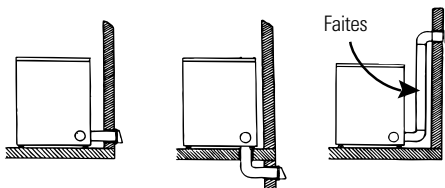
REMARQUE : Modèles encastré ou superposé—0 po (0 cm) pour les côtés, l'arrière et le dessus.

Directives d'installation

Installation dans une maison mobile

1. L'air de la sècheuse **DOIT** être évacué à l'extérieur (et non en-dessous de la maison mobile) en utilisant un conduit en métal à l'épreuve de la combustion. Le conduit en métal doit avoir 4 po (10,16 cm) de diamètre et ne doit pas être obstrué. Il est préférable d'utiliser un conduit en métal rigide.
2. Si l'air de la sècheuse est évacué par le plancher et que l'espace sous la maison mobile est fermé, le système d'évacuation **DOIT** aboutir à l'extérieur de l'enceinte à une pièce d'extrémité bien fixée à la structure de la maison mobile.
3. Au moment de l'installation d'une sècheuse à gaz dans une maison mobile, il faut prévoir une admission d'air de compensation. Cette admission d'air ne doit pas être inférieure à deux fois la dimension de la bouche d'évacuation.
4. Une sècheuse à gaz **DOIT** être amarrée au sol. La publication N° 14-D346-33 pour la trousse de montage dans une maison mobile est disponible chez votre vendeur.
5. Veuillez vous référer à la section *Exigences relatives au système d'évacuation* pour d'autres renseignements importants concernant l'évacuation de l'air.
6. L'installation **DOIT** respecter les Normes de construction et de sécurité pour les maisons usinées (qui est un Titre de juridiction fédérale 24 CFR-Partie 32-80) ou, lorsque cette norme ne peut être mise en application, la Norme nationale américaine pour les maisons mobiles. Au Canada, la norme CSA Z240 s'applique.

Correct

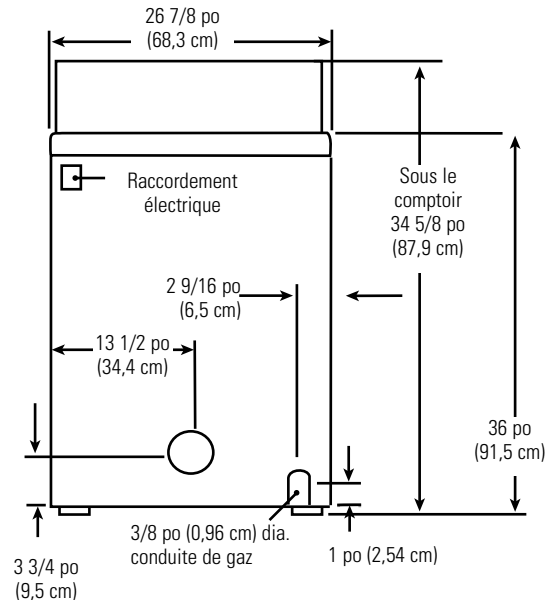


Incorrect

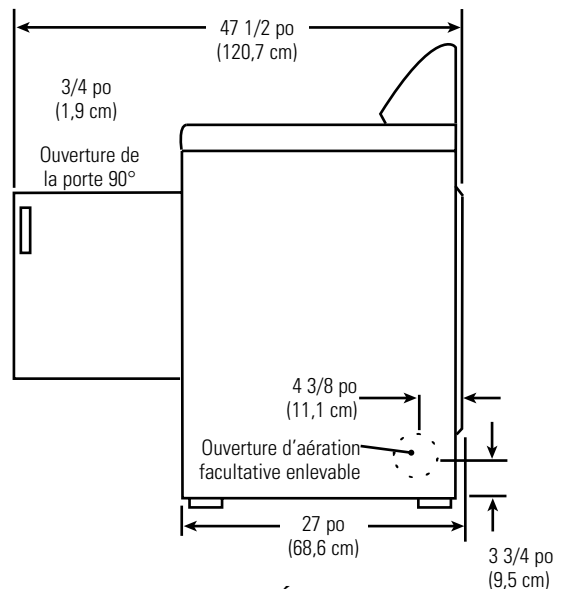


La sècheuse est conçue selon la norme ANSI Z 21.5.1 pour USAGE DOMESTIQUE seulement.

Dimensions



VUE ARRIÈRE



VUE LATÉRALE

ENTRETIEN : On doit prévoir des dégagements suffisants pour l'installation et l'entretien.

⚠ MISE EN GARDE : Au moment de l'entretien des commandes, identifiez tous les fils avant de les déconnecter. Des erreurs de connexion au niveau des fils peuvent provoquer un fonctionnement incorrect et dangereux (vérifiez le bon fonctionnement de l'appareil après installation/entretien).

Installation électrique pour sècheuses électriques

⚠ AVERTISSEMENT : Voici des exigences spécifiques pour l'installation électrique convenable et sécuritaire de votre sècheuse. Le défaut de suivre ces directives peut provoquer des chocs électriques et/ou des dangers d'incendie.

Cet appareil **DOIT** être convenablement mis à la terre. Des chocs électriques peuvent survenir si la sècheuse n'est pas convenablement mise à la terre. Suivez les directives indiquées dans ce manuel concernant la mise à la terre.

N'utilisez **PAS** de rallonge électrique avec cette sècheuse. Les cordons de certaines rallonges ne sont pas conçus pour supporter le courant électrique que cette sècheuse utilise et peuvent fondre, provoquant des chocs électriques et/ou des dangers d'incendie. Installez la sècheuse près d'une prise murale, en fonction de la longueur du cordon que vous achèterez; prévoyez une longueur suffisante pour lui assurer un peu de mou. Veuillez vous référer à la section *Installations électriques* du présent manuel pour des renseignements concernant la rallonge que vous devez acheter.

Une bride de cordon certifiée UL doit être installée sur le cordon d'alimentation. Si une telle bride n'est pas attachée au cordon, ce dernier peut être tiré à l'extérieur de la sècheuse et coupé lors d'un mouvement, provoquant des chocs électriques.

REMARQUE : Les temps de séchage des sècheuses fonctionnant sur une alimentation électrique de 208 V seront plus longs que ceux des sècheuses fonctionnant sur une alimentation de 240 V.

Un diagramme de câblage est situé sous le panneau supérieur.

Exigences de mise à la terre

⚠ AVERTISSEMENT : Un mauvais raccordement des conducteurs de mise à la terre et de l'équipement peut présenter des risques de chocs électriques. Dans le doute, demandez à un électricien agréé de vérifier si votre appareil est correctement mis à la terre.

La sècheuse **DOIT** être mise à la terre. Dans le cas d'un mauvais fonctionnement ou d'une panne, la mise à la terre réduit le risque de chocs électriques en créant une trajectoire de moindre résistance pour le courant électrique.

Cet appareil doit être mis à la terre en conformité avec les codes et règlements locaux, ou en l'absence de codes locaux, en conformité avec le Code national de l'électricité, ANSI/NFPA N° 70.

Sècheuse électrique mise à la terre au moyen d'un cordon pourvu d'une broche de mise à la terre.

Si votre sècheuse est munie d'un cordon d'alimentation pourvu d'un conducteur de mise à la terre et d'une broche de mise à la terre, la fiche **DOIT** être branchée dans un réceptacle muni d'un fil de cuivre approprié (aux É.-U.), ou au Canada, une prise appropriée, qui est adéquatement installé et mis à la terre en conformité avec tous les codes et règlements locaux. *En cas de doute, consultez un électricien agréé.*

Sècheuse électrique branchée en permanence :

- La sècheuse **DOIT** être branchée à un réseau de fils en métal permanents et mis à la terre; ou un conducteur de mise à la terre doit suivre les conducteurs du circuit et être branché au terminal de mise à la terre ou à un conducteur sur la sècheuse.

Sècheuse à gaz mise à la terre au moyen d'un cordon pourvu d'une broche de mise à la terre.

- Cette sècheuse est munie d'une fiche à trois broches (mise à la terre) pour vous protéger des chocs électriques, qui devrait être branchée directement dans une prise à trois alvéoles. Ne coupez pas ou n'enlevez pas la broche de mise à la terre de cette fiche. Ne modifiez pas la prise de courant de cet appareil. Si elle ne s'adapte pas à la prise murale, demandez à votre électricien qualifié de monter une prise adéquate.

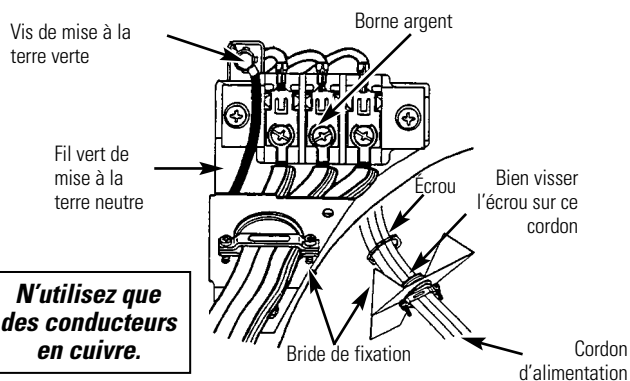
Circuit à trois fils pour sècheuses électriques

PAS pour usage au Canada.

NE PAS utiliser pour les installations dans les maisons mobiles.

PAS pour usage dans une nouvelle construction.

1. Enlevez les vis qui ferment la cache du système d'accès au terminal et la bride de fixation située à l'arrière au coin supérieur de la sècheuse.
2. Installez une bride de cordon certifiée UL dans l'ouverture du cordon de la bride de fixation. À ce moment-ci, resserrez l'écrou à la main seulement.



N'utilisez que des conducteurs en cuivre.

3. Enflez un cordon d'alimentation de 30 A certifié UL, NEMA 10-30 de type SRDT, dans la bride de cordon. Les extrémités du cordon d'alimentation se terminent par des cosses ouvertes relevées vers le haut.
4. Reliez le conducteur neutre du cordon d'alimentation (fil du centre) à la borne argent du terminal (au centre). Resserrez bien la vis.
5. Reliez les deux autres conducteurs du cordon d'alimentation (périphériques) (un de chaque côté) aux bornes périphériques de couleur cuivre du terminal (de chaque côté). Resserrez bien les deux vis.

⚠ AVERTISSEMENT : Ne pliez ou ne pincez pas les fils/conducteurs près des raccords.

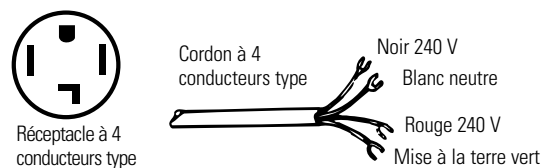
6. Fixez de nouveau la bride de fixation à l'arrière de la sècheuse au moyen de deux vis. Resserrez bien les vis.
7. Resserrez bien les vis qui retiennent la bride de cordon sur le cordon d'alimentation.
8. Resserrez bien l'écrou de la bride de cordon afin que la bride de cordon ne bouge pas.
9. Remplacez la cache du système d'accès au terminal.

Circuit à quatre fils pour sècheuses électriques

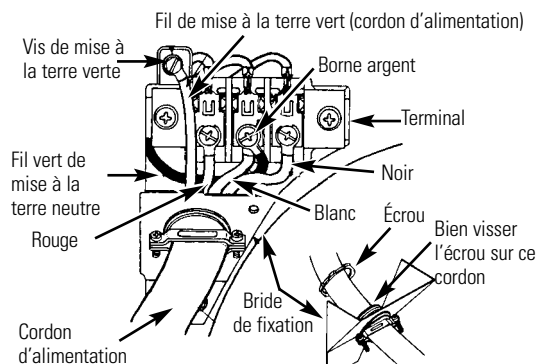
En vigueur le 1^{er} janvier 1996 : Le Code national de l'électricité exige que les **nouvelles constructions** (non existantes) utilisent une connexion à quatre fils pour une sècheuse électrique.

Au Canada, un cordon d'alimentation à quatre fils est installé sur la sècheuse.

1. Enlevez les vis qui ferment la cache du système d'accès au terminal et la bride de fixation située à l'arrière au coin supérieur de la sècheuse.
2. Installez une bride de cordon certifiée UL dans l'ouverture du cordon de la bride de fixation. À ce moment-ci, resserrez l'écrou à la main seulement.
3. Enlevez le fil vert de mise à la terre neutre de la vis de mise à la terre verte située sur le dessus du terminal.



4. Enflez un cordon d'alimentation de 30 A certifié UL, NEMA 14-30 de TYPE ST ou SRDT, dans la bride de cordon. Les extrémités du cordon d'alimentation se terminent par des cosses ouvertes relevées vers le haut.
5. Reliez la broche de mise à la terre verte du fil vert du cordon d'alimentation à la cache au moyen de la vis de mise à la terre verte.
6. Reliez la broche blanche (neutre) du cordon d'alimentation et le fil de mise à la terre vert du faisceau de la sècheuse à la borne argent située au centre du terminal. Resserrez bien la vis.
7. Reliez les broches rouge et noir du cordon d'alimentation aux bornes périphériques de couleur cuivre du terminal.



⚠ AVERTISSEMENT : Ne pliez ou ne pincez pas les fils/conducteurs près des raccords.

8. Resserrez bien les vis qui tiennent la bride de cordon sur le cordon d'alimentation.
9. Resserrez bien l'écrou de la bride de cordon afin que la bride de cordon ne bouge pas.
10. Remplacez la cache du système d'accès au terminal.

Raccord au gaz pour sècheuses à gaz

1. Enlevez le bouchon d'expédition de la conduite de gaz à l'arrière de la sècheuse.

Conversion au gaz propane : Ne branchez **PAS** la sècheuse au service du gaz de pétrole liquéfié sans que le robinet du gaz ait été converti. Un ensemble de conversion au gaz de pétrole liquéfié (N° Pub. 14-A038) **DOIT** être installé par un technicien qualifié dans l'installation d'appareils au gaz.

- a. Reliez un tuyau semi-rigide ou un tuyau homologué de 1/2 po (1,27 cm) de diamètre interne au tuyau d'alimentation de gaz et au tuyau de 3/8 po (0,96 cm) situé à l'arrière de la sècheuse. Utilisez un raccord de réduction de 1/2 po à 3/8 po (1,27 cm à 0,96 cm) pour effectuer le raccord. Appliquez un scellement homologué pour joints filetés résistant à l'action corrosive du gaz de pétrole liquéfié sur tous les raccords de tuyaux.
- b. Ouvrez le robinet d'arrêt de l'alimentation de gaz.
- c. Vérifiez tous les raccords en utilisant une solution d'eau savonneuse.

MISE EN GARDE : N'UTILISEZ JAMAIS UNE FLAMME POUR DÉCELER LES FUITES DE GAZ.

2. Reliez le conduit d'évacuation au système d'évacuation extérieur. Utilisez du ruban adhésif en toile pour sceller tous les joints.
3. Lorsque la sècheuse est à son emplacement définitif, ajustez un ou plusieurs des pieds jusqu'à ce que la sècheuse soit bien stable. Placez un niveau sur le dessus de la sècheuse. **LA SÈCHEUSE DOIT ÊTRE DE NIVEAU ET BIEN SOLIDE SUR SES PIEDS.**
En vous servant d'une clé à fourche de 1/2 po, faites remonter les écrous de blocage de chacun des quatre pieds jusqu'à la base de la sècheuse et vissez-les.
4. Branchez le cordon d'alimentation dans une prise mise à la terre.
REMARQUE : Assurez-vous que le courant est hors tension à la boîte de disjoncteurs/fusibles avant de brancher le cordon d'alimentation.
5. Mettez le courant sous tension à la boîte de disjoncteurs/fusibles.



MISE EN GARDE : Avant de mettre la sècheuse en marche, assurez-vous que l'environnement de la sècheuse est exempt de matériaux combustibles, gazoline et autres matières inflammables. Assurez-vous également qu'aucun article (boîtes, vêtements, etc.) n'obstrue la circulation d'air adéquate pour la combustion ou la ventilation.

6. Faites fonctionner la sècheuse durant un programme pour vérifier l'opération adéquate de l'appareil.

REMARQUE : Avant que le brûleur d'une sècheuse à gaz s'allume, il faut que l'air de la conduite de gaz soit purgée. Si le brûleur ne s'allume pas dans les 45 secondes suivant la mise en marche de la sècheuse, l'interrupteur de sécurité éteindra le brûleur. Si cela se produit, ramenez la minuterie à **OFF** et attendez 5 minutes avant de faire une nouvelle tentative.

7. Si votre sècheuse ne fonctionne pas, veuillez consulter la section *Conseils de dépannage* de ce manuel avant d'appeler le service après-vente.
8. Placez ces directives près de la sècheuse pour référence future.

Directives pour la superposition

▲ AVERTISSEMENT :

- Pour réduire les risques de chocs électriques, débranchez l'appareil avant d'effectuer tout entretien. Le fait de placer les contrôles à la position **OFF** ne coupe pas l'alimentation électrique de l'appareil.
- Veuillez vous référer aux directives d'installation de la laveuse et de la sécheuse avant de superposer les appareils. Il vous sera alors plus facile d'effectuer l'installation et vous vous assurerez d'un fonctionnement adéquat et sécuritaire. Une installation inadéquate pourrait constituer un danger d'incendie et/ou de blessure.

Outils requis pour superposer la sécheuse.

- Tournevis à tête Phillips
- Pince channel-lock réglable

Installation de la sécheuse sur la laveuse

Les chiffres de l'illustration correspondent aux étapes de l'installation.

1. Enlevez le panneau supérieur de la laveuse en dévissant les 4 vis qui se trouvent dans les deux supports situés à la partie supérieure de l'arrière de la laveuse.

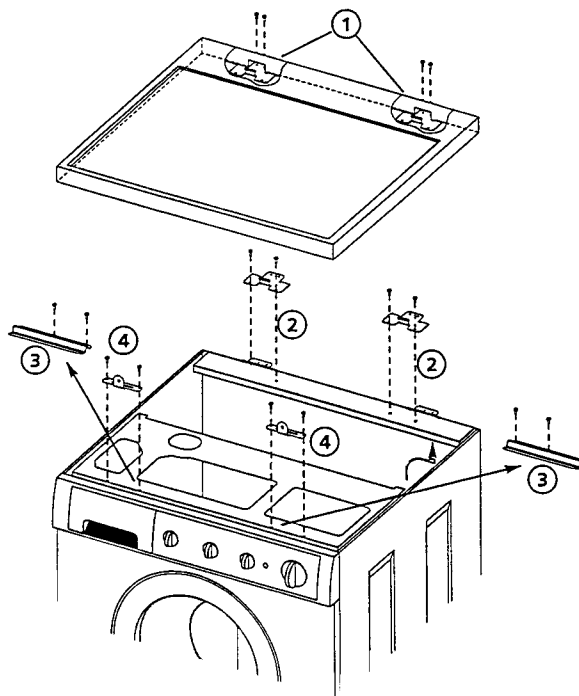
Glissez le panneau vers l'avant, soulevez le devant du panneau et enlevez le panneau.

Enlevez les 2 supports du panneau supérieur.

2. En vous servant des 4 vis que vous avez enlevées à l'étape 1, installez les supports dans le support arrière tel qu'indiqué.

3. Enlever les 4 vis et les 2 supports longs situés à l'avant de la partie supérieure de la laveuse.

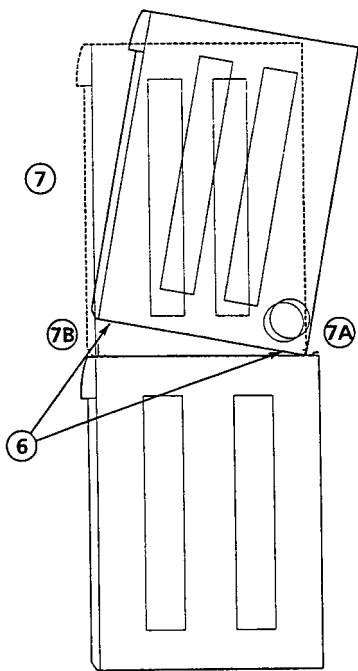
4. Installez les 2 nouveaux supports d'installation fournis en vous servant des 4 vis que vous avez enlevées à l'étape 3. Prenez note que les pattes des supports d'installation à l'avant de la laveuse font face à l'avant de la laveuse tel qu'indiqué sur l'illustration.



Directives pour la superposition—Inversion de l'ouverture de la porte

Les chiffres de l'illustration correspondent aux étapes de l'installation.

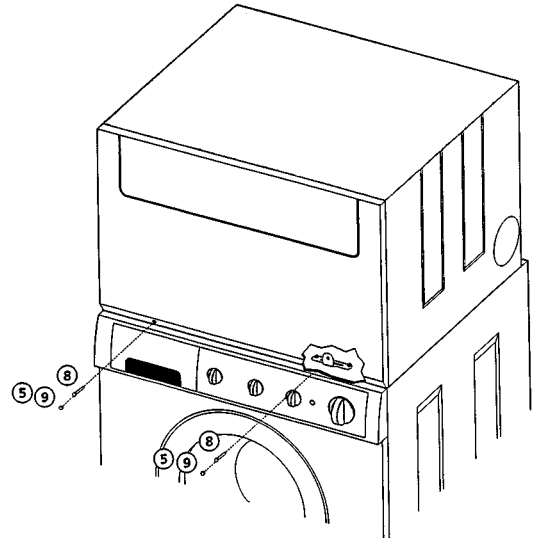
5. En vous servant du bout de la lame d'un couteau à mastiquer recouverte d'un ruban masqué, et en procédant avec précaution, enlevez les bouchons contenus dans les ouvertures situées dans le bas du panneau frontal de la sécheuse.
6. Enlevez les 4 pieds de la base de la sécheuse.
7. Placez la sécheuse sur le dessus de la laveuse. Glissez la sécheuse vers les supports arrières (7A) en déposez ensuite l'avant de la sécheuse à l'intérieur des supports situés à l'avant (7B).



8. Insérez les 2 vis longues fournies dans l'ensemble à travers les trous du panneau avant de la sécheuse et installez-les dans les supports situés à l'avant.
9. Installez les bouchons que vous avez enlevés à l'étape 5.

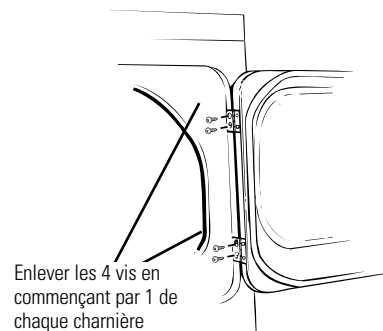
10. Veuillez vous référer aux directives d'installation de la laveuse et de la sécheuse pour une installation et un fonctionnement adéquats.

11. Conservez le panneau supérieur et les supports au cas où vous devriez effectuer une installation côte-à-côte dans le futur.



Inversion de l'ouverture de la porte

1. Ouvrez la porte de la sécheuse. Enlevez les 4 bouchons ou vis des ouvertures du côté gauche de l'ouverture de la porte. Placez-les à proximité pour installation future. **REMARQUE :** Il se peut que vous ayez besoin d'un couteau en plastique pour retirer les bouchons. Prenez les précautions nécessaires pour ne pas abîmer la peinture.
2. Enlevez les 4 vis qui retiennent les charnières au panneau frontal de la sécheuse. **REMARQUE :** Enlevez d'abord 1 vis de chacune des charnières. Tenez bien la porte avant d'enlever les 2 dernières vis.
3. Effectuez une rotation de la porte de 180° et réinstallez les charnières au panneau frontal de la sécheuse avec les 4 vis.
4. Installez les 4 bouchons ou vis que vous aviez enlevés à l'étape 1 à l'intérieur des trous de vis sur le côté droit de l'ouverture de la porte.



Enlever les 4 vis en commençant par 1 de chaque charnière

Avant d'appeler un réparateur...



Conseils de dépannage

Économisez du temps et de l'argent! Consultez d'abord les tableaux qui suivent et vous pourrez peut-être éviter de faire appel à un réparateur.

Problème	Causes possibles	Correctifs
La sècheuse ne fonctionne pas	Sècheuse non branchée	• Assurez-vous que le cordon d'alimentation est bien branché dans prise de courant.
	Fusible grillé/ disjoncteur déclenché	• Vérifiez les fusibles/disjoncteurs de la résidence. Remplacez le fusible ou réenclenchez le disjoncteur. REMARQUE : La plupart des sècheuses électriques requièrent deux disjoncteurs/fusibles.
	Limiteur thermal enclenché	• Appelez un réparateur pour remise en place.
La sècheuse ne chauffe pas	Fusible grillé/ disjoncteur déclenché, la sècheuse tourne, mais ne chauffe pas	• Vérifiez les fusibles/disjoncteurs de la résidence. Remplacez le fusible ou réenclenchez le disjoncteur.
	Alimentation en gaz coupée	• Assurez-vous que le robinet d'alimentation en gaz de la sècheuse et de la conduite de gaz sont ouverts.
	Le circuit de la sècheuse comprend 2 fusibles. Si l'un d'eux est grillé, le tambour peut tourner mais la chaleur ne se produira pas	• Remplacez le fusible.
	Le robinet d'alimentation en gaz n'est pas ouvert (modèles à gaz)	• Assurez-vous que le robinet d'alimentation est ouvert. Référez-vous aux <i>Directives d'installation</i> pour la procédure.
	La sècheuse ne reçoit pas assez d'air pour alimenter la flamme du brûleur (modèles à gaz)	• Référez-vous aux <i>Directives d'installation</i> .
	Le réservoir de gaz de pétrole liquéfié est vide ou il y a eu interruption du service de gaz naturel (modèles à gaz)	• Remplissez ou remplacez le réservoir. La sècheuse devrait produire de la chaleur lorsque le service sera rétabli.
La sècheuse est bruyante ou vibre	Un peu de vibration/bruit est normal. La sècheuse ne repose pas solidement sur le plancher	• Installez la sècheuse sur un plancher uniforme, ou faites en sorte qu'elle soit bien de niveau.
Taches de graisse sur les vêtements	Utilisation inadéquate d'assouplissant	• Suivez les directives sur l'emballage de l'assouplissant.
	Séchage d'articles sales avec des articles propres	• Ne faites sécher que des articles propres dans votre sècheuse. Les articles sales peuvent tacher les articles propres et la sècheuse.
	Nettoyage insuffisant des vêtements	• Quelquefois les taches qui sont invisibles lorsque les articles sont mouillés <i>apparaissent</i> après le séchage. Utilisez les procédés de lavage corrects avant de sécher.
Charpie sur les vêtements	Filtre à charpie plein	• Nettoyez le filtre à charpie avant chaque utilisation.
	Tri incorrect	• Séparez les tissus produisant de la charpie (comme la chenille) de ceux qui la recueillent (comme le velours côtelé).
	Charpie attirée par l'électricité statique	• Voir les suggestions données à la section ÉLECTRICITÉ STATIQUE .
	Surcharge	• Divisez les grosses charges en brassées plus petites.
	Papier, papier mouchoir, etc., oubliés dans les poches	• Videz toutes les poches avant de laver les vêtements.

Problème	Causes possibles	Correctifs
Électricité statique	Séchage excessif	<ul style="list-style-type: none"> Utilisez un produit assouplissant. Réglez une durée de séchage plus courte.
	Aucun produit assouplissant utilisé	<ul style="list-style-type: none"> Utilisez un produit assouplissant.
	Les mélanges, les tissus synthétiques et sans repassage peuvent causer de l'électricité statique	<ul style="list-style-type: none"> Utilisez un produit assouplissant.
Durées de séchage irrégulières	Type de chaleur	<ul style="list-style-type: none"> Les durées de séchage automatiques varieront selon le type d'énergie utilisé (électrique, gaz naturel ou gaz de pétrole liquéfié), la grosseur de la brassée, le type de tissu, l'humidité des vêtements et l'état des conduits d'évacuation.
Les vêtements prennent trop de temps à sécher	Tri incorrect	<ul style="list-style-type: none"> Séparez les articles lourds des articles légers (en général, lorsque la brassée est bien triée pour le lavage, elle l'est aussi pour le séchage).
	Grosses brassées d'articles lourds (comme des serviettes de plage)	<ul style="list-style-type: none"> Les gros articles lourds retiennent davantage d'humidité et prennent plus de temps à sécher. Faites sécher de plus petites brassées pour accélérer le séchage.
	Commandes mal réglées	<ul style="list-style-type: none"> Réglez les commandes en fonction de la brassée que vous faites sécher.
	Filtre à charpie plein	<ul style="list-style-type: none"> Nettoyez le filtre à charpie avant chaque utilisation.
	Conduit d'évacuation inadéquat ou obstrué	<ul style="list-style-type: none"> Vérifiez les <i>Directives d'installation</i> pour que le conduit d'évacuation soit adéquat. Assurez-vous que le conduit est propre, qu'il n'est pas pincé ni obstrué. Vérifiez si le volet de l'évent mural bouge librement. Voir la section <i>Directives d'installation</i> pour vous assurer que l'air de la sècheuse est correctement évacué.
	Fusibles grillés ou disjoncteurs déclenchés	<ul style="list-style-type: none"> Remplacez les fusibles ou réenclenchez les disjoncteurs. Comme la plupart des sècheuses nécessitent deux fusibles/disjoncteurs, assurez-vous que les deux sont en bon état.
	Surcharge/brassées mélangées	<ul style="list-style-type: none"> Ne mettez qu'une brassée dans la sècheuse à la fois.
	Brassée trop petite	<ul style="list-style-type: none"> Lorsque vous ne faites sécher qu'un ou deux articles, ajoutez quelques articles pour assurer un culbutage adéquat.
Les vêtements sont froissés	Séchage excessif	<ul style="list-style-type: none"> Réglez une durée de séchage plus courte. Retirez les vêtements de la sècheuse lorsqu'ils sont encore légèrement humides.
	Articles laissés dans la sècheuse après la fin du programme	<ul style="list-style-type: none"> Retirez les articles de la sècheuse lorsque le programme est terminé. Pliez-les ou suspendez-les immédiatement.
Les vêtements rétrécissent	Certains tissus rétrécissent au lavage. D'autres peuvent être lavés en toute sécurité mais rétrécissent au séchage	<ul style="list-style-type: none"> Pour éviter tout rétrécissement, suivez à la lettre les directives sur l'étiquette d'entretien des vêtements. Certains articles peuvent retrouver leur forme d'origine après le séchage grâce à un pressage. Lorsque vous ne savez pas si un article rétrécit ou non, ne le lavez pas ou ne le faites pas sécher à la machine.

Garantie de votre sècheuse GE. (Pour la clientèle aux États-Unis)



Toutes les réparations sous garantie seront effectuées par nos centres de réparation ou nos réparateurs autorisés Customer Care®. Appelez le 1-800-GE-CARES.

Pour une période de : GE remplacera :

Un an

À compter de la date d'achat d'origine

Toute pièce de la sècheuse qui se révèle défectueuse en raison d'un vice de matériaux ou de fabrication. Pendant cette **garantie complète de un an**, GE prendra en charge également, **gratuitement**, tous les frais de main-d'œuvre et de déplacement du réparateur à votre domicile pour remplacer la pièce défectueuse.

Ce que GE ne couvrira pas :

- Toute visite à votre domicile pour vous expliquer le fonctionnement de l'appareil.
- Une installation inadéquate.
- Toute défectuosité du produit lorsqu'il est utilisé de façon abusive, ou à des fins commerciales ou à toute autre fin que celle pour laquelle il a été conçu.
- Le remplacement des fusibles ou le réenclenchement des disjoncteurs du panneau de distribution.
- Tout dommage au produit attribuable à un accident, un incendie, une inondation ou un cas de force majeure.
- Les dommages directs ou indirects qui sont imputables aux défauts éventuels de cet appareil.

Cette garantie est offerte à l'acheteur initial ainsi qu'à tout acheteur subséquent d'un produit acheté à des fins domestiques aux États-Unis. En Alaska, la garantie d'un an ne comprend pas les frais d'expédition du produit ou de déplacement du réparateur à votre domicile.

Dans certains États, il est interdit d'exclure ou de limiter les dommages directs ou indirects. La présente garantie vous confère des droits juridiques spécifiques. Vous pouvez bénéficier d'autres droits qui varient d'un État à l'autre. Pour connaître les droits dont vous bénéficiez dans votre État, communiquez avec le bureau des Relations avec les consommateurs de votre région ou de votre État, ou avec le Procureur Général de votre État.

Garant : General Electric Company. Louisville, KY 40225

Garantie de votre sècheuse GE. (Pour la clientèle au Canada)



Toutes les réparations sous garantie seront effectuées par nos centres de réparation ou nos réparateurs autorisés. Appelez le 1-800-361-3400.

Pour une période de : GE remplacera :

Un an

À compter de la date d'achat d'origine

Toute pièce de la sècheuse qui se révèle défectueuse en raison d'un vice de matériaux ou de fabrication. Pendant cette **garantie complète de un an**, GE prendra en charge également, **gratuitement**, tous les frais de main-d'œuvre et de déplacement du réparateur à votre domicile pour remplacer la pièce défectueuse.

Ce qui n'est pas couvert :

- Toute visite à votre domicile pour vous expliquer le fonctionnement de l'appareil.
- Une installation inadéquate.
- Toute défectuosité du produit lorsqu'il est utilisé de façon abusive, à des fins commerciales ou à toute autre fin que celle pour laquelle il a été conçu.
- Le remplacement des fusibles ou le réenclenchement des disjoncteurs du panneau de distribution.
- Tout dommage au produit attribuable à un accident, un incendie, une inondation ou un cas de force majeure.
- Tout dommage direct ou indirect causé en raison d'une défectuosité éventuelle de cet appareil.

LE FABRICANT NE SERA PAS TENU RESPONSABLE DES DOMMAGES INDIRECTS.

Garant : CAMCO INC.

Mesures de sécurité

Fonctionnement

Directives d'installation

Conseils de dépannage

Service à la clientèle

Numéros de service.



GE Answer Center® Aux États-Unis : 800.626.2000

Notre service GE Answer Center® est ouvert 24 heures par jour, 7 jours par semaine.

Au Canada, appelez le 1-800-361-3400.

OU

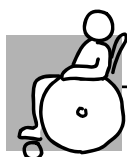
Visitez notre site Web à : www.geappliances.com



Réparations à domicile Aux États-Unis : 800-432-2737

Pour faire réparer votre électroménager GE, il suffit de nous téléphoner.

Au Canada, appelez le 1-800-361-3400.



Besoins particuliers Aux États-Unis : 800.626.2000

Sur demande, GE peut fournir sans frais une brochure sur l'aménagement d'une cuisine pour les personnes à mobilité réduite. **Aux États-Unis**, appelez le 800-TDD-GEAC (800-833-4322).

Au Canada, écrivez au Directeur, Relations avec les consommateurs, Camco Inc., 1 Factory Lane, Bureau 310, Moncton, NB E1C 9M3.



Contrats d'entretien Aux États-Unis : 800-626-2224

Achetez un contrat d'entretien GE avant que votre garantie n'expire et bénéficiez d'un rabais substantiel. Ainsi le service après-vente GE sera toujours là après expiration de la garantie.

Au Canada, appelez le 1-800-461-3636.



Pièces et accessoires Aux États-Unis : 800-626-2002

Ceux qui désirent réparer eux-mêmes leurs électroménagers peuvent recevoir pièces et accessoires directement à la maison (cartes VISA, MasterCard et Discover acceptées).

Les directives stipulées dans le présent manuel peuvent être suivies par n'importe quel utilisateur. Les autres réparations doivent généralement être effectuées par un technicien qualifié. Soyez prudent, car une réparation inadéquate peut affecter le fonctionnement sécuritaire de l'appareil.

Au Canada, veuillez consulter les pages jaunes pour connaître le numéro de la succursale Camco la plus proche.



Un service satisfaisant

Si vous n'êtes pas satisfait du service après-vente dont vous avez bénéficié :

Premièrement, communiquez avec les gens qui ont réparé votre appareil. **Ensuite**, si vous n'êtes toujours pas satisfait, **aux États-Unis**, envoyez tous les détails—numéro de téléphone compris—au Manager, Customer Relations, GE Appliances, Appliance Park, Louisville, KY 40225; ou, **au Canada**, au Directeur, Relations avec les consommateurs, Camco Inc., 1 Factory Lane, Bureau 310, Moncton, NB E1C 9M3.