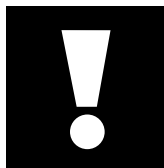
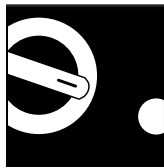
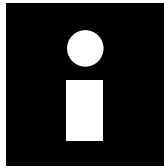





Dryer

Owner's Manual

English Version

	<i>Important Safety Information</i>	3
	<i>Operating Instructions</i> <i>The Controls on Your Dryer</i> <i>Other Dryer Features</i>	8
	<i>Helpful Information</i> <i>Specialized Fabric Guide</i> <i>Loading Suggestions</i> <i>Care of Product</i>	13
	<i>If Something Goes Wrong</i> <i>Before You Call For Service</i> <i>Venting the Dryer</i> <i>GE Service Numbers</i> <i>Warranty, Back Cover</i>	17
	Version française	25
	Versión en español	51

Welcome

Welcome to the GE family. We're proud of our quality products and we believe in dependable service. You'll see it in this easy-to-use manual and you'll hear it in the friendly voices of our customer service department.

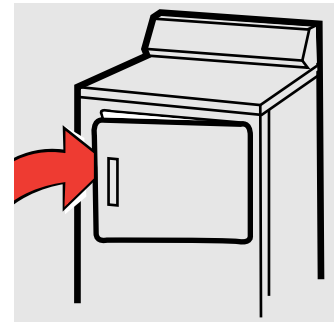
Best of all, you'll experience these values each time you do the laundry. That's important, because your new dryer will be part of your family for a long time.

Start Here!

*Before
using
your
dryer*

Staple your receipt to the inside back cover of this manual.

Write down the model and serial numbers here. They are on the label on the front of the dryer behind the door.



Model number

Serial number

Date of purchase

Need Help?

*Help us
help you*

*In the United States
800.626.2000*

Before you call for service, there are a few things you can do to help us serve you better.

Read this manual. It contains instructions to help you use and maintain your dryer properly.


Save time and money. Check the section titled "If Something Goes Wrong" before calling. This section was designed to solve common problems you might encounter.

If you do need service, you can relax knowing help is only a phone call away. A list of toll-free customer service numbers is included on the inside back cover. Or call **in the United States** the GE Answer Center[®] at 800.626.2000, 24 hours a day, 7 days a week. **In Canada** call 800-361-3400.

Important Safety Information

Read all safety information before using



 **WARNING:** For your safety the information in this manual must be followed to minimize the risk of fire or explosion or to prevent property damage, personal injury or loss of life.

Do not store or use gasoline or other flammable vapors and liquids in the vicinity of this or any other appliance.

Installation and service must be performed by a qualified installer, service agency or the gas supplier.

IF YOU SMELL GAS

- 1** Do not try to light any appliance.
- 2** Do not touch any electrical switch; do not use any phone in your building.
- 3** Clear the room, building or area of all occupants.
- 4** Immediately call your gas supplier from a neighbor's phone. Follow the gas supplier's instructions.
- 5** If you cannot reach your gas supplier, call the fire department.

California Safe Drinking Water and Toxic Enforcement Act

This act requires the governor of California to publish a list of substances known to the state to cause cancer, birth defects or other reproductive harm and requires businesses to warn customers of potential exposure to such substances.

Gas appliances can cause minor exposure to four of these substances, namely benzene, carbon monoxide, formaldehyde and soot, caused primarily by the incomplete combustion of natural gas or LP fuels.

Properly adjusted dryers will minimize incomplete combustion. Exposure to these substances can be minimized further by properly venting the dryer to the outdoors.



Important Safety Information

Read all safety information before using



Warning

To reduce the risk of fire, electric shock, or injury to persons when using your appliance, follow basic precautions, including the following sections.

Safety Precautions

- Use this appliance only for its intended purpose as described in this Owner's Manual.
- This dryer must be properly installed and located in accordance with the Installation Instructions before it is used. If you did not receive an Installation Instructions sheet with your dryer, you can obtain one by calling, toll-free, **in the United States** the GE Answer Center[®], 800.626.2000. **In Canada** call, toll-free 800-361-3400.
 - Properly ground to conform with all governing codes and ordinances. Follow details in Installation Instructions.
 - Install or store where the temperature is above 50°F. (10°C.). Do not install the dryer where it will be exposed to the weather.
 - Connect to a properly rated, protected and sized power supply circuit to avoid electrical overload.
 - Gas dryers **MUST** be exhausted to the outside. Carefully follow the Exhausting details in the Installation Instructions.
 - Exhausting electric dryers to the outside is **STRONGLY RECOMMENDED** to prevent large amounts of moisture and lint from being blown into the room. Carefully follow the Exhausting details in the Installation Instructions.
- Do not repair or replace any part of the appliance or attempt any servicing unless specifically recommended in this Owner's Manual or in published user-repair instructions that you understand and have the skills to carry out.
- When disconnecting this appliance pull by the plug rather than the cord to avoid damage to the cord or junction of cord and plug. Make sure that the cord is located so that it will not be stepped on, tripped over or otherwise subjected to damage or stress.



- Exhaust Duct—See Installation Instructions. Use only rigid metal or flexible metal 4" diameter ductwork inside the dryer cabinet or for exhausting to the outside. USE OF PLASTIC OR OTHER COMBUSTIBLE DUCTWORK CAN CAUSE A FIRE. PUNCTURED DUCTWORK CAN CAUSE A FIRE IF IT COLLAPSES OR BECOMES OTHERWISE RESTRICTED IN USE OR DURING INSTALLATION.
- Do not dry articles containing rubber, plastic, or similar materials (such as padded bras, tennis shoes, galoshes, bath mats, rugs, bibs, baby pants, plastic bags, pillows, etc.) as these materials may melt or burn. Also, some rubber materials, when heated, can under certain circumstances produce fire by spontaneous combustion.
- Do not store items that may burn or melt (such as clothing, paper material, plastics or plastic containers, etc.) on top of the dryer during operation.
- Garments labeled "Dry Away from Heat" or "Do not Tumble Dry" (such as life jackets containing Kapok) must not be put in your dryer.
- Do not wash or dry articles that have been cleaned in, washed in, soaked in, or spotted with combustible or explosive substances (such as wax, paint, oil, gasoline, degreasers, dry-cleaning solvents, kerosene, etc.) which may ignite or explode. Do not add these substances to the wash water. Do not use these substances around your washer and/or dryer during operation.
- Any article on which you have used a cleaning solvent, or which contains flammable materials (such as cleaning cloths, mops, towels used in beauty salons, restaurants, or barber shops, etc.) must not be placed in or near the dryer until all traces of these flammable liquids or solids and their fumes have been removed. There are many highly flammable items used in homes such as acetone, denatured alcohol, gasoline, kerosene, some household cleaners, some spot removers, turpentine, waxes, wax removers and products containing petroleum distillates.



Important Safety Information

Read all safety information before using

- Clean the lint filter before each load to prevent lint accumulation inside the dryer or in the room. **DO NOT OPERATE THE DRYER WITHOUT THE LINT FILTER IN PLACE.**
- Keep the area around and underneath your appliances free from the accumulation of combustible materials, such as lint, paper, rags, chemicals, etc.
- Regularly inspect the exhaust duct to be sure it has not been crushed or otherwise restricted.
- The interior of the machine and the exhaust duct connection inside the dryer should be cleaned periodically by a qualified individual.
- Never reach into the dryer while the drum is moving. Before loading, unloading or adding clothes, wait until the drum has completely stopped.
- Do not dry fiberglass articles in your dryer. Skin irritation could result from the remaining glass particles that may be picked up by clothing during subsequent dryer uses.
- The laundry process can reduce the flame retardancy of fabrics. To avoid such a result, the garment manufacturer's care instructions should be followed very carefully.
- Close supervision is necessary if this appliance is used by or near children. Do not allow children to play inside, on, or with this appliance or any discarded appliance. Dispose of discarded appliances and shipping or packing materials properly. Before discarding a dryer, or removing from service, remove the door of the dryer compartment.
- Keep all laundry aids (such as detergents, bleaches, fabric softeners, etc.) out of the reach of children, preferably in a locked cabinet. Observe all warnings on container labels to avoid personal injury.
- Keep the floor around your appliances clean and dry to reduce the possibility of slipping.
- To minimize the possibility of electric shock, unplug this appliance from the power supply or disconnect the dryer at the household distribution panel by removing the fuse or switching off the circuit breaker before attempting any maintenance or cleaning (except the removal and cleaning of the lint filter).
- **NOTE:** Turning the Cycle Selector knob to an OFF position does NOT disconnect the appliance from the power supply.



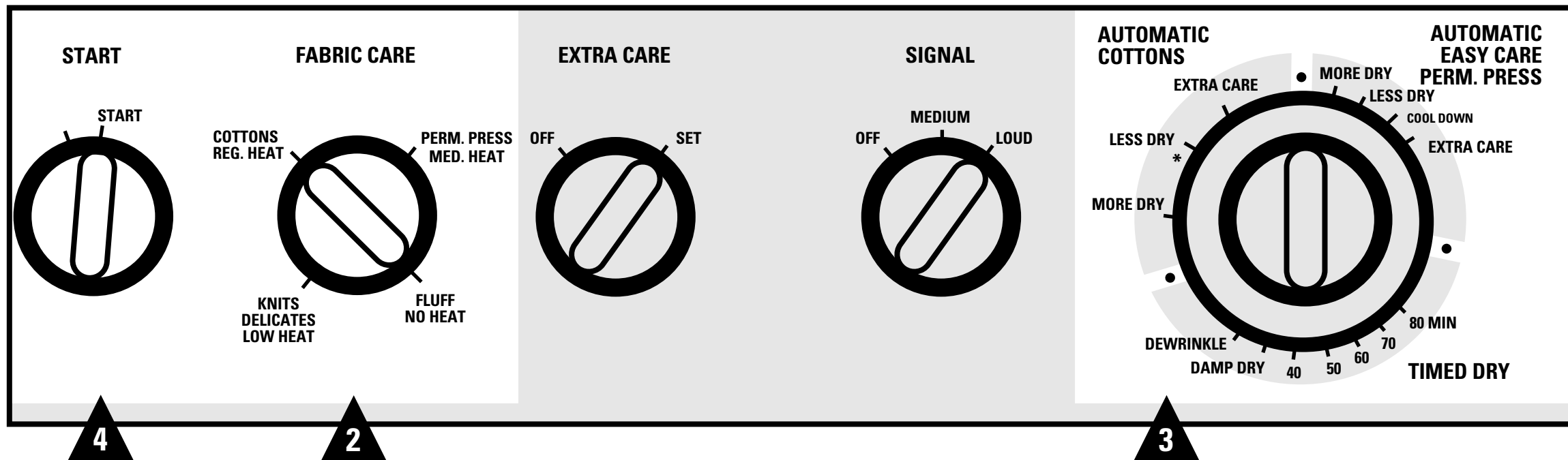
- Do not tamper with the controls.
- Do not operate this appliance if it is damaged, malfunctioning, partially disassembled, or has missing or broken parts, including a damaged cord or plug.
- Never climb on or stand on the dryer top.
- DO NOT place items exposed to cooking oils in your dryer. Items contaminated with cooking oils may contribute to a chemical reaction that could cause a clothes load to catch fire.
- If yours is a gas dryer, it is equipped with an automatic electric ignition and does not have a pilot light. DO NOT ATTEMPT TO LIGHT WITH A MATCH. Burns may result from having your hand in the vicinity of the burner when the automatic ignition may turn on.
- You may wish to soften your laundered fabrics or reduce the static electricity in them by using dryer-applied fabric softeners or an anti-static conditioner. We recommend you use either a fabric softener in the wash cycle, according to the manufacturer's instructions for those products, or try a dryer-added product for which the manufacturer gives written assurance on the package that their product can be safely used in your dryer.

Service or performance problems caused by the use of these products are the responsibility of the manufacturers of those products and are not covered under the warranty of this appliance.

SAVE THESE INSTRUCTIONS

Operating Instructions

The controls on your dryer



Cycle Descriptions

Automatic Drying Cycles
Cycles automatically sense dryness

Automatic Easy Care Perm. Press
For synthetic blends. Select **More Dry** for heavier fabrics, **Less Dry** for lighter fabrics.

Automatic Cottons
For cottons and most linens. For most loads select the Preferred Regular Setting marked with an *. Set towards **More Dry** for heavier fabrics, **Less Dry** for lighter fabrics.

Timed Dry Cycles
Cycles run for a selected time

Timed Dry
Set the Cycle Selector at the desired drying time.

Damp Dry
To leave items partially dry set Cycle Selector on Damp Dry setting.

Dewrinkle
For removing wrinkles from items that are clean and dry or that are very lightly damp. Set the Cycle Selector on the Dewrinkle setting.

NOTE:
Drying times will vary according to the type of heat used (Electric, Natural or LP gas), size of load, types of fabrics, wetness of clothes and condition of exhaust ducts.

1 Clean the Lint Filter

Clean the lint filter each time you use the dryer.

CAUTION:
Do not operate the dryer without the lint filter in place.

2 Fabric Care Selections

Always follow Fabric Manufacturer's Care Label or instructions when laundering. Use this chart as a general guide.

Drying Selections	Usage
Cottons/Reg. Heat	For regular to heavy cottons.
Perm. Press/Med. Heat	For synthetics, blends and items labeled "permanent press."
Knits Delicates/Low Heat	For delicates, synthetics and items labeled "tumble dry low."
Fluff/No Heat	For "fluffing" items without heat. Use the Timed Dry cycle.

3 Selecting Drying Cycle

Select an automatic or timed cycle. See the above Cycle Descriptions.

4 Starting Dryer

- Close the dryer door.
 - Select START.
- Opening the door during the operation will stop the dryer. To restart the dryer, close the door and select START to complete the cycle.

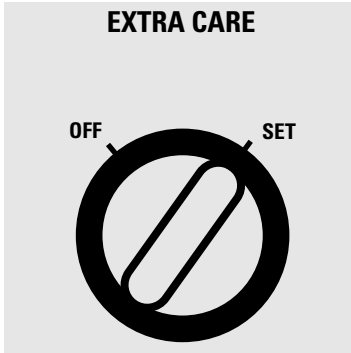
See next page for other dryer features



Operating Instructions

Other dryer features your model has

Extra Care



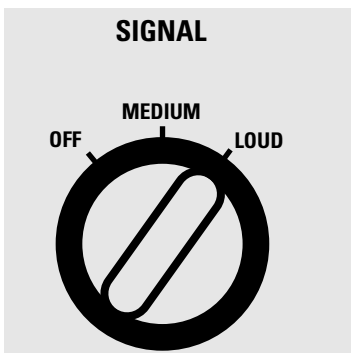
Use this option to minimize the wrinkles in clothes. The option provides approximately 15 minutes of no-heat tumbling after the clothes are dry.

This option can only be used with the Automatic cycles.

HINT:

If the Signal option is selected, the Signal will sound at the end of the drying time and will sound several times during the Extra Care cycle. This will remind you that the cycle is almost complete.

Signal



This signal will sound just before the end of the cycle to remind you to remove the clothes.

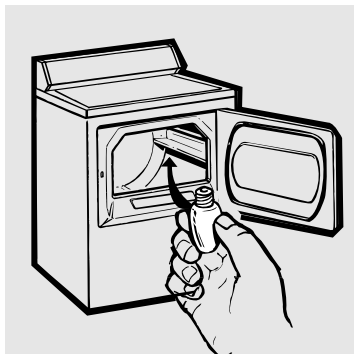
If you selected the Extra Care option the signal will sound at the end of the drying time and will sound several times during the Extra Care cycle. This will remind you that the cycle is almost complete.

NOTE:

- ***Remove garments promptly at the sound of the signal. Place clothes on hangers so wrinkles won't set in.***
- ***Use the Signal especially when drying fabrics like polyester knits and permanent press. These fabrics should be removed promptly so wrinkles won't set in.***

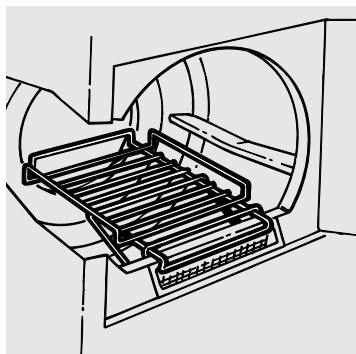


Drum Lamp



Before replacing the light bulb, be sure to unplug the dryer power cord or disconnect the dryer at the household distribution panel by removing the fuse or switching off the circuit breaker. Reach above the dryer opening from inside the drum. Remove the bulb and replace with the same size bulb.

Drying Rack



A handy drying rack may be used for drying articles such as stuffed toys, pillows or washable sweaters. Hook the rack over the lint filter so the rack extends into the dryer drum.

NOTE:

- ***The drying rack must be used with the Timed Cycle.***
- ***Do not use this drying rack when there are other clothes in the dryer.***



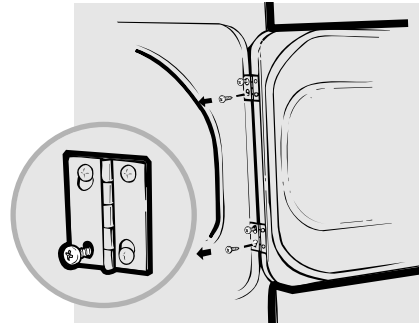
Operating Instructions

Reversing the Door

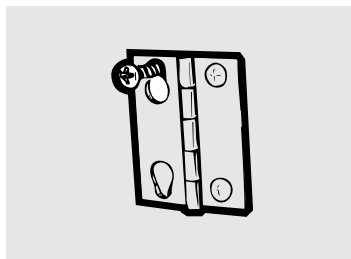
Tools Needed:

- **Standard # 2 Phillips screwdriver**
- **Tape-tipped putty knife**
- **Needle-nosed pliers**

- 1** Open the door and remove the filler plugs opposite the hinges.
- 2** With the door completely open, remove the bottom screw from each hinge on the dryer face.

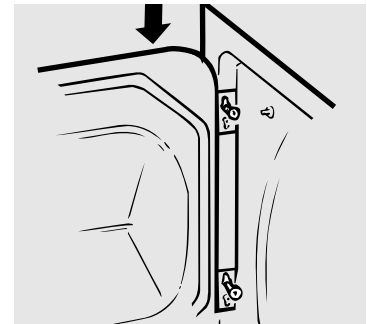


- 3** Insert these screws about half way into the TOP holes, for each hinge, on the opposite side (where you removed the filler plugs). Apply firm pressure to get the screw started in untapped holes.
- 4** Loosen the top screw from each hinge on the dryer face half way.

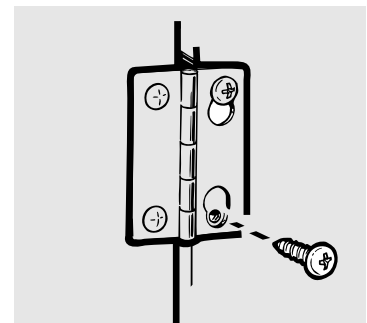


- 5** With one hand holding the top of the door and the other hand holding the bottom, remove the door from the dryer by lifting it UP and OUT.

- 6** Rotate the door 180°. Insert it on the opposite side of the opening by moving the door IN and DOWN until the top hinge and the bottom hinge are resting on the top screws inserted in step 3.



- 7** Remove the remaining screws from the side of the opening from which the door was removed. With these screws secure each hinge at the bottom.



- 8** Tighten the two top screws of each hinge.
- 9** Reinsert the plastic plugs on the side from which the door was removed.

Specialty Care Guide



**Always follow Fabric Manufacturer's Care Label or instructions when laundering.
Otherwise use the information below as a general guide.**

Item	Suggested Care
Pillows	<p>Mend any holes or weak seams where feather or filling could escape. Dry only one pillow at a time. Stop dryer occasionally and shake pillow, redistributing filling for even drying. Check pillow at the end of drying time. If it is not completely dry, reset dryer for more drying time.</p> <p>Dry on low heat only.</p> <p>CAUTION: Do not dry pillows containing foam rubber.</p>
Blankets	<p>Add 2–4 dry towels and one blanket and set timer for 20–25 minutes. Dry only one blanket at a time. Do not set control for more than 25 minutes. At the end of drying cycle block the blanket back to its original shape. Allow blanket to dry thoroughly before storing.</p>
Cotton	<p>Use a medium heat drying setting.</p>
Synthetic	<p>Use a low heat drying setting.</p>
Down	<p>Use a low heat drying setting.</p>
Extra Large Items (Includes comforters, blankets and mattress pads.)	<p>Use a low heat drying setting.</p> <p>Set dryer for 20 minutes. When time is up, check and redistribute load. Reset dryer for 15 minutes. When time is up, check and redistribute load. Reset timer for 5 minute intervals. Check after each 5 minutes to ensure articles do not fill dryer drum. Large, wet articles should have ample room in the dryer, but as they dry and fluff up they may not have room to tumble.</p> <p>CAUTION: Items without room to tumble may block air flow and could result in scorched items. Dry mattress pads separately. Use a low heat drying setting.</p>



Helpful Information

Loading

Sorting

As a general rule, if clothes are sorted properly for the washer, they are sorted properly for the dryer.

Sort by color

(Separate colorfast from non-colorfast fabrics*)

- Whites
- Lights
- Darks

Separate by fabric type

- Cottons and linens
- Permanent press cottons and blends
- Synthetic and poly knits
- Delicates

Separate lint producers from lint collectors

- Lint producers: terry cloth and chenille
- Lint collectors: velveteen and corduroy
- Heavy Items
- Light Items

** Non-colorfast fabrics may bleed or fade. Sort by individual color.*

Loading Hints

- Avoid drying very small loads.
- Sort clothes by weight so you won't have to run an extra cycle for one or two heavier, slower drying items.
- Do not add fabric softener sheets once the load has become warm. This may cause fabric softener stains.
- Do not overload. This causes inefficient operation and unnecessary wrinkling. Clothes need to tumble freely.
- Do not dry the following items:
 - Fiberglass items
 - Woolens
 - Rubber coated items
 - Plastics
 - Items with plastic trim
 - Foam-filled items

Interior

The drum is rust-resistant. However, colored fabrics which lose color or bleed in the washer may cause discoloration of the dryer drum. We recommend that the dryer drum be cleaned with a cloth

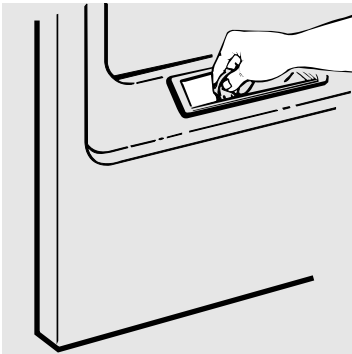
using a detergent and water paste or a mild abrasive, such as Soft Scrub™. Rinse thoroughly. Then tumble-dry several wet rags or old towels for 20 to 30 minutes before using the dryer normally.

Exterior

Wipe off any spills or washing compounds. Wipe or dust with a damp cloth. Try not to strike the surface with sharp objects. Dryer control panel and finishes may be damaged by some laundry pretreatment soil and stain remover products if such products are sprayed on or have direct contact with the dryer.

Apply these pretreatment products away from the dryer. The fabric may then be washed and dried normally. Damage to your dryer caused by pretreatment products is not covered by your warranty.

Lint Filter



Before every dryer use, clean the lint filter. It is easier to remove the lint when your fingers are moistened.

To keep your dryer operating at peak performance, be sure to have a technician vacuum the lint from the machine every three years.

Storage

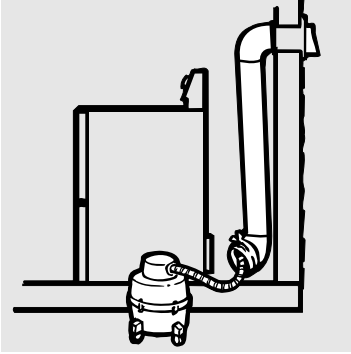
To store your dryer for a short period of time, disconnect the power supply and clean the lint filter.



Helpful Information

Care & Cleaning

Exhaust Duct

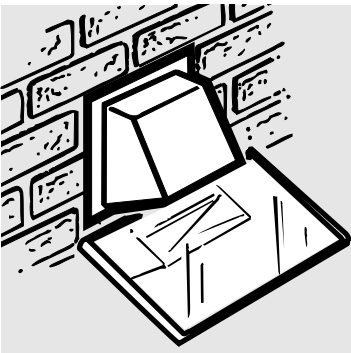


Inspect and clean the dryer exhaust ducting at least once a year to prevent clogging. A partially clogged exhaust can lengthen the drying time.

To clean the exhaust duct follow these steps:

- 1** Turn off electrical supply by disconnecting the plug from the wall socket.
- 2** Disconnect exhaust duct from the dryer.
- 3** Vacuum the exhaust duct with the hose attachment.
- 4** Reconnect the exhaust duct to the dryer.

Exhaust Hood



Check the inside of the exhaust hood with a mirror to rid of debris

- Make sure the inside flaps of the exhaust hood move freely (you may want to check with a mirror).
- Make sure inside flaps are fully open when dryer is operating.
- Make sure there is not wildlife (birds, insects, etc.) nesting inside the exhaust duct or hood.

If Something Goes Wrong

Before you call for service



Problem	Possible Causes	What to Do
Dryer Doesn't Start	Dryer is unplugged	<ul style="list-style-type: none">• Make sure the dryer plug is pushed completely into the outlet.
	Fuse is blown/circuit breaker is tripped	<ul style="list-style-type: none">• Check the house fuse/circuit breaker box and replace fuse or reset breaker. NOTE: Most electric dryers use two breakers.
Dryer Doesn't Heat	Fuse is blown/circuit breaker is tripped, the dryer may tumble but not heat	<ul style="list-style-type: none">• Check the house fuse/circuit breaker box and replace fuse or reset breaker.
	Gas service is off	<ul style="list-style-type: none">• Make sure gas shutoff at dryer and main shutoff are fully open.
Dryer Shakes or Makes Excessive Noise	Some shaking/noise is normal. Dryer may be sitting unevenly	<ul style="list-style-type: none">• Move dryer to an even floorspace, or adjust as necessary until even.
Greasy Spots on Clothes	Improper use of fabric softener	<ul style="list-style-type: none">• Follow directions on fabric softener package.
	Drying dirty items with clean ones	<ul style="list-style-type: none">• Use your dryer to dry only clean items. Dirty items can stain clean items and the dryer.
	Clothes were not completely clean	<ul style="list-style-type: none">• Sometimes stains which cannot be seen when the clothes are wet "appear" after drying. Use proper washing procedures before drying.
Lint on Clothes	Lint filter is full	<ul style="list-style-type: none">• Clean lint screen before each load.
	Improper sorting	<ul style="list-style-type: none">• Sort lint producers (like chenille) from lint collectors (like corduroy).
	Static electricity can attract lint	<ul style="list-style-type: none">• See suggestions in this section under STATIC.
	Overloading	<ul style="list-style-type: none">• Separate large loads into smaller ones.
	Paper, tissue, etc. left in pockets	<ul style="list-style-type: none">• Empty all pockets before laundering clothes.



If Something Goes Wrong

Problem	Possible Causes	What to Do
Static Occurs	Overdrying	<ul style="list-style-type: none">• Try a fabric softener.• Adjust controls for less drying.
	No fabric softener was used	<ul style="list-style-type: none">• Try a fabric softener.
	Synthetics, permanent press and blends can cause static	<ul style="list-style-type: none">• Try a fabric softener.
Clothes Take Too Long to Dry	Improper sorting	<ul style="list-style-type: none">• Separate heavy items from lightweight items (generally, a well-sorted washer load is a well-sorted dryer load).
	Large loads of heavy items (like beach towels)	<ul style="list-style-type: none">• Large, heavy loads contain more moisture and take longer to dry. Separate large, heavy items into smaller loads to speed drying time.
	Controls improperly set	<ul style="list-style-type: none">• Match control settings to the load you are drying.
	Lint filter is full	<ul style="list-style-type: none">• Clean lint filter before every load.
	Improper or obstructed ducting	<ul style="list-style-type: none">• Check installation instructions for proper ducting/venting.• Make sure ducting is clean, free of kinks and unobstructed.• Check to see if outside wall damper operates easily.• See the Venting the Dryer section.
	Blown fuses or tripped circuit breakers	<ul style="list-style-type: none">• Replace fuses or reset circuit breakers. Since most dryers use 2 fuses/breakers, make sure both are operating.
	Overloading/combining loads	<ul style="list-style-type: none">• Do not put more than one washer load in the dryer at a time.
	Underloading	<ul style="list-style-type: none">• If you are drying only one or two items, add a few items to ensure proper tumbling.



<i>Problem</i>	<i>Possible Causes</i>	<i>What to Do</i>
<i>Clothes are Wrinkled</i>	Overdrying	<ul style="list-style-type: none">• Select a shorter drying time.• Remove items while they still hold a slight amount of moisture.
	Letting items sit in dryer after cycle ends	<ul style="list-style-type: none">• Remove items when cycle ends and fold or hang immediately.
<i>Clothes Shrink</i>	Some fabrics will naturally shrink when washed. Others can be safely washed, but will shrink in the dryer.	<ul style="list-style-type: none">• To avoid shrinkage, follow garment care labels exactly.• Some items may be pressed back into shape after drying.• If you are concerned about shrinkage in a particular item, do not machine wash or tumble dry it.

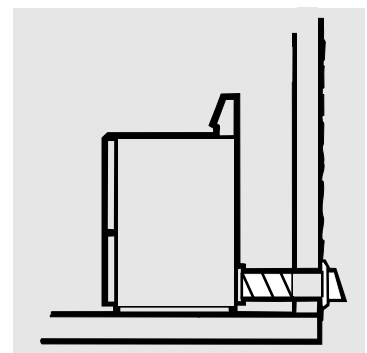
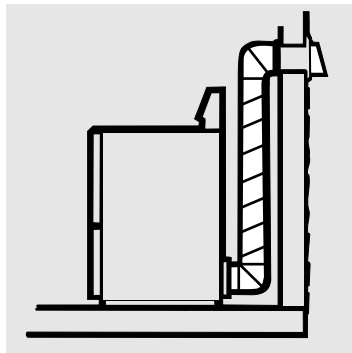


Venting the Dryer

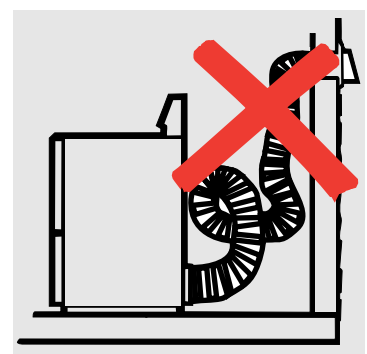
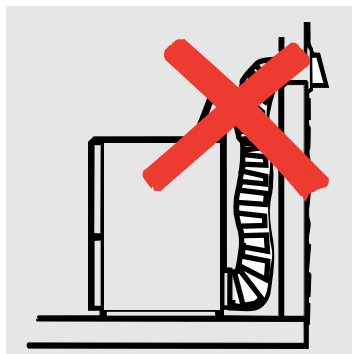
For the best drying performance the dryer needs to be properly vented. **Carefully follow the details on Exhausting in the Installation Instructions.**

- Use only rigid metal or flexible metal 4" diameter ductwork inside the dryer cabinet or for exhausting to the outside.
- Do not use plastic or other combustible ductwork.
- Use the shortest length possible.
- Do not crush or collapse.
- Avoid resting the duct on sharp objects.
- **Venting must conform to local building codes.**

Correct Venting



Incorrect Venting



Notes

GE Service Numbers



We'll be there!

GE Answer Center®

In the United States:
800.626.2000

Whatever your question about any GE major appliance, GE Answer Center® information service is available **in the United States** to help. Your call—and your question—will be answered promptly and courteously. And you can call any time. GE Answer Center® service is open 24 hours a day, 7 days a week.

In Canada contact:

Manager, Consumer Relations
Camco Inc.
1 Factory Lane, Suite 310
Moncton, N.B.
E1C 9M3

In-Home Repair Service

In the United States:
800-GE-CARES
(800-432-2737)

In Canada:
800-361-3400

A GE consumer service professional will provide expert repair service, scheduled at a time that's convenient for you. Many GE Consumer Service company-operated locations offer you service today or tomorrow, or at your convenience (7:00 a.m. to 7:00 p.m. weekdays, 9:00 a.m. to 2:00 p.m. Saturdays).

Our factory-trained technicians know your appliance inside and out—so most repairs can be handled in just one visit.

For Customers With Special Needs

In the United States:
800.626.2000

Upon request, GE will provide Braille controls for a variety of GE appliances, and a brochure to assist in planning a barrier-free kitchen for persons with limited mobility. To obtain these items, **in the United States** free of charge, call 800.626.2000.

Consumers with impaired hearing or speech who have access to a TDD or a conventional teletypewriter may call **in the United States** 800-TDD-GEAC (800-833-4322) to request information or service.

In Canada contact:

Manager, Consumer Relations,
Camco Inc.
1 Factory Lane, Suite 310
Moncton, N.B.
E1C 9M3



Service Contracts

In the United States:
800-626-2224

In Canada:
800-461-3636

You can have the secure feeling that GE Consumer Service will still be there after your warranty expires. Purchase a GE contract while your warranty is still in effect and you'll receive a substantial discount. With a multiple-year contract, you're assured of future service at today's prices.

Parts and Accessories

In the United States:
800-626-2002

In Canada:
Please consult your yellow pages for your local Camco phone number.

Individuals qualified to service their own appliances can have parts or accessories sent directly to their home. The GE parts system provides access to over 47,000 parts...and all GE Genuine Renewal Parts are fully warranted. VISA, MasterCard and Discover cards are accepted.

Care and cleaning instructions contained in this manual cover procedures that can be performed by any user. Other servicing generally should be referred to qualified service personnel. Caution must be exercised, since improper servicing may cause unsafe operation.

Further Service

We're proud of our service and want you to be pleased. If for some reason you are not happy with the service you receive, here are steps to follow for further help.

In the United States:

First, contact the people who serviced your appliance. Explain why you are not pleased. In most cases, this will solve the problem.

Next, if you are still not pleased, write all the details—including your phone number—to: Manager, Consumer Relations, GE Appliances, Appliance Park, Louisville, KY 40225

Finally, if your problem is still not resolved, write to: Major Appliance Consumer Action Program
20 North Wacker Drive
Chicago, IL 60606

In Canada:

First, contact the people who serviced your appliance. Explain why you are not pleased. In most cases, this will solve the problem.


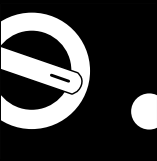
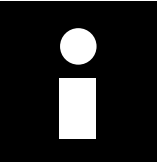

Next, if you are still not pleased, write all the details—including your phone number—to:
Manager, Consumer Relations,
Camco Inc.
1 Factory Lane, Suite 310
Moncton, N.B.
E1C 9M3





Sécheuse

Manuel d'utilisation

	Mesures de sécurité importantes	27
	Directives de fonctionnement <i>Commandes de votre sécheuse</i> <i>Autres caractéristiques de votre sécheuse</i>	32
	Renseignements utiles <i>Guide d'entretien des tissus</i> <i>Brassées suggérées pour votre sécheuse</i> <i>Entretien du produit</i>	37
	Lorsqu'un problème survient <i>Avant d'appeler un réparateur</i> <i>Évacuation de la sécheuse</i> <i>Numéros du Service après-vente GE</i> <i>Garantie</i>	41

Bienvenue

Bienvenue dans la famille GE. Nous sommes fiers de la qualité de nos produits et de la fiabilité de notre service après-vente. Vous le constaterez dans le présent manuel, facile à utiliser, et dans la voix amicale de notre personnel du Service à la clientèle.

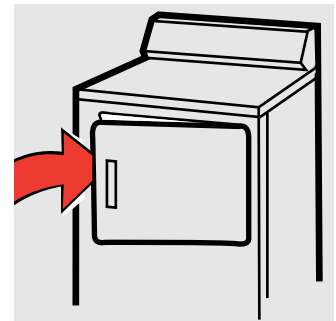
Mais surtout, vous le constaterez chaque fois que vous ferez votre lessive. C'est important, car votre nouvelle sècheuse fera partie de votre famille pendant des années.

Allez-y!

*Avant
d'utiliser
votre
sècheuse*

Agrafez votre reçu à l'intérieur de la page couverture du présent manuel.

Transcrivez les numéros de modèle et de série ici. Vous les trouverez sur une étiquette à l'avant de la sècheuse, derrière la porte.



Numéro de modèle

Numéro de série

Date d'achat

Besoin d'aide?

*Aidez-nous
à vous aider*

*Aux États-Unis
800.626.2000*

Avant d'appeler un réparateur, voici quelques points qui peuvent nous aider à mieux vous servir.

Lisez le présent manuel. Vous y trouverez des directives pour l'utilisation et l'entretien de votre sècheuse.

Économisez du temps et de l'argent. Consultez la section «Lorsqu'un problème survient» avant d'appeler. Cette section a été conçue pour résoudre les problèmes courants que vous pourriez rencontrer.

Si vous avez besoin de réparation, vous savez que vous n'avez qu'à téléphoner pour obtenir de l'aide. Vous trouverez à la dernière page une liste de numéros sans frais du Service à la clientèle. Vous pouvez aussi appeler 24 heures par jour, 7 jours par semaine, **aux États-Unis**, au Centre de réponse GE au 800-626-2000. **Au Canada** appelez au 800-361-3400.

Mesures de sécurité importantes

Veillez d'abord lire les mesures de sécurité



! **MISE EN GARDE** : Pour votre sécurité, veuillez suivre les directives données dans le présent manuel afin de réduire les risques d'incendie ou d'explosion, ou prévenir tout dommage, blessure ou décès.

N'entreposez pas ou n'utilisez pas d'essence ou autres vapeurs ou liquides inflammables à proximité de cet appareil ou de tout autre électroménager.

L'installation et les réparations doivent être effectuées par un installateur qualifié, une entreprise de réparation ou votre fournisseur de gaz.

SI VOUS REMARQUEZ UNE ODEUR DE GAZ

- 1** Ne faites fonctionner aucun appareil électrique.
- 2** N'actionnez aucun interrupteur; n'utilisez aucun téléphone dans votre édifice.
- 3** Évacuez la pièce, l'édifice ou les environs.
- 4** Appelez immédiatement votre fournisseur de gaz en utilisant le téléphone d'un voisin. Suivez les directives qu'il vous donnera.
- 5** Si vous ne pouvez joindre votre fournisseur de gaz, appelez les pompiers.

! **Loi sur les produits toxiques et l'eau potable de la Californie**

En vertu de cette loi, le Gouverneur de la Californie est tenu de publier une liste des substances reconnues par l'État comme pouvant causer le cancer, des malformations congénitales ou autres problèmes du genre et d'obliger les entreprises à avertir leurs clients de toute exposition potentielle à de telles substances.

Les électroménagers à gaz peuvent entraîner une exposition mineure à quatre de ces substances, en l'occurrence le benzène, le monoxyde de carbone, le formaldéhyde ou la suie, attribuables principalement à la combustion incomplète du gaz naturel ou du gaz de pétrole liquéfié. Une sècheuse bien réglée réduit au minimum les risques de combustion incomplète. Pour réduire au minimum l'exposition à ces substances, faites évacuer l'air de la sècheuse à l'extérieur.



Mesures de sécurité importantes

Veillez d'abord lire les mesures de sécurité



Mise en garde

Afin de réduire les risques d'incendie, de chocs électriques ou de blessures lorsque vous utilisez votre appareil, observez toujours les mesures de sécurité de base, y compris les suivantes.

Mesures de sécurité

- N'utilisez cet appareil que pour l'usage auquel il est destiné, comme expliqué dans le présent manuel.
- Avant d'utiliser votre sècheuse, assurez-vous qu'elle a été adéquatement installée, conformément aux Directives d'installation. Si vous n'avez pas reçu de Directives d'installation avec votre sècheuse, appelez sans frais **aux États-Unis** au Centre de réponse GE au 800-626-2000. **Au Canada** appelez sans frais au 800-361-3400.
 - Mettez l'appareil à la terre conformément à tous les codes et règlements en vigueur. Suivez les Directives d'installation.
 - Installez ou entreposez l'appareil dans une pièce où la température est supérieure à 50 °F (10 °C). Installez la sècheuse à un endroit où elle sera à l'abri des intempéries.
 - Branchez l'appareil sur un circuit protégé et de capacité appropriée afin d'éviter toute surcharge électrique.
- L'air des sècheuses à gaz **DOIT** être évacué à l'extérieur. Suivez les consignes données pour l'évacuation dans les Directives d'installation.
- Il est **FORTEMENT RECOMMANDÉ** d'évacuer l'air des sècheuses électriques à l'extérieur afin d'éviter l'accumulation d'une grande quantité d'humidité et de charpie dans la pièce. Suivez les consignes données pour l'évacuation dans les Directives d'installation.
- Ne réparez ou ne remplacez aucune pièce de cet appareil, à moins que cela ne soit spécifiquement recommandé dans le présent manuel ou dans des directives de réparation que vous comprenez et que vous êtes en mesure de suivre.
- Lorsque vous débranchez l'appareil, tirez sur la fiche et non pas sur le cordon afin d'éviter d'endommager le cordon d'alimentation. Installez le cordon de sorte que personne ne marche ni trébuche dessus ou qu'il ne soit pas exposé à des dommages ou des contraintes.



- Conduit d'évacuation—Voir les Directives d'installation. N'utilisez qu'un conduit métallique rigide ou souple de 4 po de diamètre à l'intérieur de la carrosserie de la sècheuse ou pour l'évacuation vers l'extérieur. **L'UTILISATION D'UN CONDUIT DE PLASTIQUE OU FABRIQUÉ AVEC TOUT AUTRE MATÉRIAU COMBUSTIBLE PEUT CAUSER UN INCENDIE. LORSQU'UN CONDUIT EST PERFORÉ OU DEVIENT OBSTRUÉ AU COURS DE L'UTILISATION OU DE L'INSTALLATION, IL PEUT CAUSER UN INCENDIE.**
- Ne faites pas sécher des articles contenant du caoutchouc, du plastique ou autres matériaux similaires (comme des soutiens-gorge préformés, des chaussures de tennis, des caoutchoucs, des tapis de bain, des carpettes, des bavoirs, des culottes de bébé, des sacs de plastique, des oreillers, etc.) car ces matériaux peuvent fondre ou brûler. De plus, dans certaines circonstances, certains matériaux de caoutchouc peuvent causer un incendie par combustion spontanée lorsqu'ils sont chauffés.
- Ne rangez pas des articles qui peuvent fondre ou brûler (comme des vêtements, du papier, des articles ou des contenants de plastique, etc.) sur le dessus de la sècheuse pendant qu'elle fonctionne.
- Les vêtements portant la mention «Faire sécher loin de la chaleur» ou «Ne faites pas sécher par culbutage» (comme les gilets de sauvetage contenant du kapok) ne doivent pas être séchés dans votre sècheuse.
- Ne lavez pas ou ne faites pas sécher des articles qui ont été lavés avec des produits combustibles ou explosifs, ou qui ont été trempés dans ces produits ou qui en sont tachés (cire, peinture, huile, essence, dégraissants, solvants pour le nettoyage à sec, kérosène, etc.) car ils risquent de s'enflammer ou d'exploser. Ne versez pas ces substances dans l'eau de la laveuse. N'utilisez pas ces substances à proximité de votre laveuse ou de votre sècheuse pendant qu'elles fonctionnent.
- Il ne faut pas mettre dans la sècheuse, ou à proximité de celle-ci, tout article ayant été utilisé avec un solvant dégraissant ou contenant une substance inflammable (comme des chiffons de nettoyage, des vadrouilles, des serviettes utilisées dans les salons de beauté, les restaurants ou les salons de coiffure, etc.), à moins qu'il ait été débarrassé de toute trace et toute vapeur de substance inflammable. On utilise à la maison de nombreux produits inflammables : acétone, alcool dénaturé, essence, kérosène, certains produits nettoyants ménagers, certains détachants, térébenthine, cire, décapants pour la cire et produits contenant du distillat de pétrole.



Mesures de sécurité importantes

Veillez d'abord lire les mesures de sécurité

- Avant chaque séchage, nettoyez le filtre à charpie afin de prévenir l'accumulation de charpie à l'intérieur de la sècheuse ou dans la pièce. **NE FAITES PAS FONCTIONNER LA SÈCHEUSE SANS LE FILTRE À CHARPIE.**
- Ne laissez pas s'accumuler autour et au-dessous de vos électroménagers des matériaux combustibles, comme de la charpie, du papier, des chiffons, des produits chimiques, etc.
- Inspectez régulièrement le conduit d'évacuation afin de vous assurer qu'il ne soit ni écrasé ni restreint.
- L'intérieur de l'appareil et le raccord du conduit d'évacuation à l'intérieur de la sècheuse doivent être nettoyés périodiquement par une personne qualifiée.
- Ne vous penchez jamais dans la sècheuse pendant que le tambour tourne. Avant de charger ou décharger la sècheuse ou d'y ajouter des vêtements, attendez que le tambour se soit complètement arrêté.
- Ne faites pas sécher d'articles en fibre de verre dans votre sècheuse. Les particules qui restent dans la sècheuse et qui pourraient être recueillies par les vêtements lors d'un séchage subséquent risquent de causer des irritations cutanées.
- La lessive peut atténuer les propriétés ignifugeantes des tissus. Pour éviter cette situation, suivez à la lettre les directives données par le fabricant du vêtement.
- Il faut exercer une étroite surveillance lorsque vous faites fonctionner cet appareil en présence d'enfants. Ne les laissez pas jouer avec l'appareil ni monter dessus, ou s'introduire à l'intérieur d'un vieil appareil qui ne sert plus. Jetez de la façon appropriée les vieux électroménagers, ainsi que le matériel d'emballage. Avant de jeter ou d'entreposer une sècheuse, enlevez toujours la porte.
- Gardez tous les produits de lessive (comme les détergents, les javellisants, les assouplissants, etc.) hors de la portée des enfants, de préférence dans une armoire verrouillée. Observez toutes les mises en garde sur les emballages afin d'éviter les accidents.
- Gardez le sol propre et sec à proximité de vos électroménagers afin de ne pas glisser.
- Pour réduire les risques de chocs électriques, débranchez toujours l'appareil ou débranchez la sècheuse au panneau de distribution en enlevant le fusible ou déclenchant le disjoncteur avant de le réparer ou de le nettoyer (sauf pour enlever et nettoyer le filtre à charpie).
- **REMARQUE :** Le fait de placer le sélecteur de programme à une position d'ARRÊT ne coupe PAS l'alimentation électrique de l'appareil.



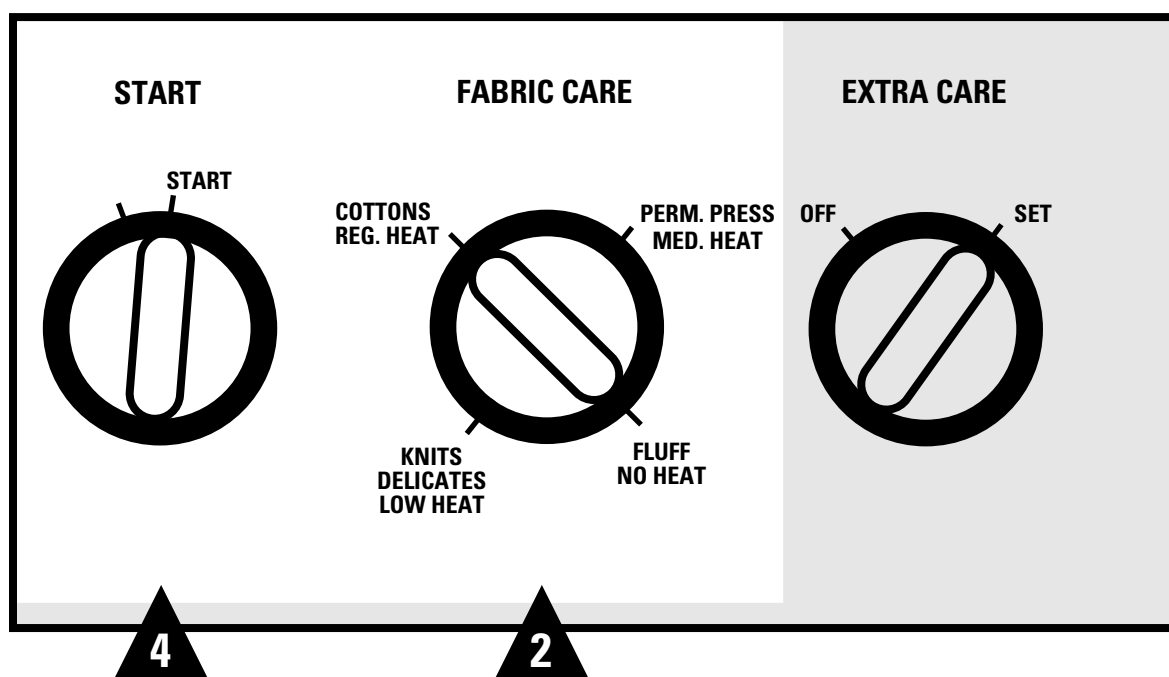
- Ne trafiquez pas les commandes de l'appareil.
- Ne faites pas fonctionner l'appareil s'il est endommagé, défectueux, partiellement démonté, ou si des pièces sont manquantes ou défectueuses, ou si le cordon d'alimentation ou la fiche sont endommagés.
- Ne montez jamais sur le dessus de la sècheuse.
- Ne rangez PAS dans votre sècheuse des articles qui ont été en contact avec des huiles de cuisson; ceux-ci peuvent provoquer une réaction chimique susceptible de faire s'enflammer vos vêtements.
- Si votre sècheuse fonctionne à gaz, elle est pourvue d'un système d'allumage électrique automatique et ne possède pas de veilleuse. **N'ESSAYEZ PAS DE L'ALLUMER AVEC UNE ALLUMETTE.** Vous risquez de vous brûler si vous approchez votre main du brûleur et que le dispositif d'allumage automatique s'allume.
- Il est possible que vous désiriez assouplir votre lessive ou réduire le collement électrostatique en utilisant un assouplissant textile dans votre sècheuse ou un produit antistatique. Nous vous recommandons d'utiliser un assouplissant liquide au cours du programme de lavage, conformément aux directives du fabricant de ce type de produit, ou de faire l'essai d'un assouplissant textile pour la sècheuse, pour lequel le fabricant certifie sur l'emballage que son produit peut être utilisé en toute sécurité dans la sècheuse.

La responsabilité des problèmes de rendement ou de fonctionnement qui ne sont pas couverts par la garantie de cet appareil et sont attribuables à l'utilisation de ces produits relève du fabricant de ces produits.

CONSERVEZ CES DIRECTIVES



Commandes de votre sécheuse



1 Nettoyez le filtre à charpie

Nettoyez le filtre à charpie chaque fois que vous utilisez la sécheuse.

ATTENTION :

Ne faites pas fonctionner la sécheuse sans le filtre à charpie.

2 Choix de température

Lors de la lessive, observez toujours les directives données sur l'étiquette d'entretien du vêtement. Utilisez ce tableau à titre de guide général.

Programme de séchage	Utilisation
Cotons/Temp. régulière	Pour les cotons ordinaires ou lourds.
Sans repassage/Temp. moyenne	Pour les tissus synthétiques, les mélanges et les articles portant la mention «Sans repassage».
Tricots/Art. délicats/Temp. minimum	Pour les tissus délicats, synthétiques et les articles portant la mention «Sécher par culbutage à basse température».
Duvetage/Sans chaleur	Pour faire «aérer» les articles sans chaleur. Réglez un séchage minuté.

Description des programmes



Programmes de séchage automatique
Ils détectent automatiquement l'humidité des tissus

Entretien facile sans repassage automatique
Pour les mélanges synthétiques. Choisissez **More Dry** (plus sec) pour les tissus plus lourds, et **Less Dry** (moins sec) pour les tissus plus légers.

Cotons automatique
Pour les cotons et la plupart des toiles. Pour la plupart des brassées, choisissez le Réglage régulier préféré marqué avec un*. Réglez vers **More Dry** (plus sec) pour les tissus plus lourds, et vers **Less Dry** (moins sec) pour les tissus plus légers.

Programmes de séchage minuté
Ils fonctionnent pendant une durée choisie

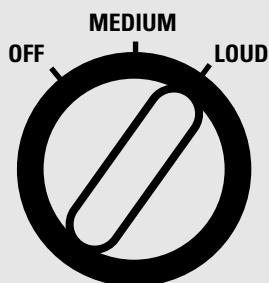
Séchage minuté
Réglez le sélecteur de programme à la durée de séchage désirée.

Séchage partiel
Pour que les articles soient légèrement humides, réglez le sélecteur de programme à DAMP DRY.

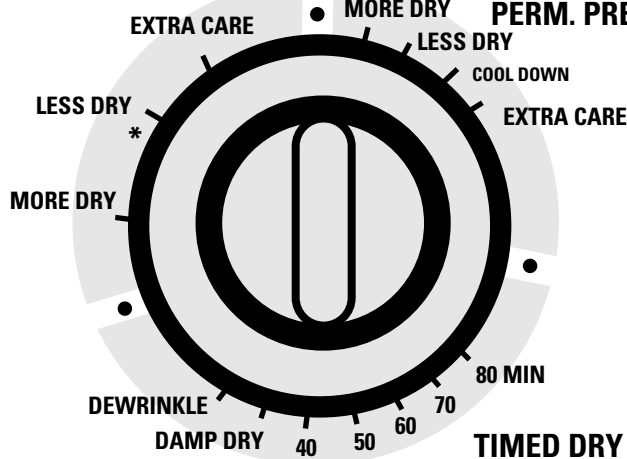
Défroissage
Pour faire disparaître les faux plis d'articles propres et secs ou légèrement humides, réglez le sélecteur de programme à DEWRINKLE .

REMARQUE : Les durées de séchage varient selon le type d'énergie utilisé (électricité, gaz naturel ou gaz de pétrole liquéfié), la grosseur de la brassée, le type de tissu, l'humidité des vêtements et l'état des conduits d'évacuation.

SIGNAL



AUTOMATIC COTTONS



3

3 Choix du programme

Choisissez un programme automatique ou minuté. Voir ci-dessus la Description des programmes.

4 Mise en marche de la sécheuse

- Fermez la porte de la sécheuse.
- Actionnez le bouton START (mise en marche).

Lorsque vous ouvrez la porte pendant qu'elle fonctionne, la sécheuse s'arrête. Pour la remettre en marche, fermez la porte et actionnez START (mise en marche) pour terminer le programme.

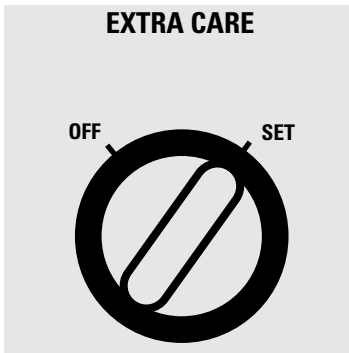
Voir les autres caractéristiques à la page suivante



Directives de fonctionnement

Autres caractéristiques possibles sur votre modèle

Soins Plus



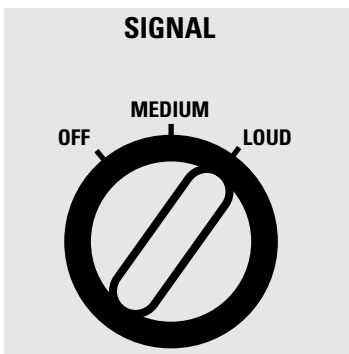
Le programme EXTRA CARE (soins plus) réduit au minimum la formation de faux plis. Il procure un culbutage sans chaleur d'environ 15 minutes lorsque les vêtements sont secs.

Ce programme ne peut être utilisé qu'avec les programmes automatiques.

CONSEIL :

Si vous choisissez l'option SIGNAL, l'avertisseur se fera entendre à la fin du programme de séchage et se fera entendre plusieurs fois pendant le programme EXTRA CARE (soins plus). Il vous rappelle que le programme est presque terminé.

Signal



Cet avertisseur se fait entendre tout juste avant la fin du programme pour vous rappeler de retirer les vêtements de la sècheuse.

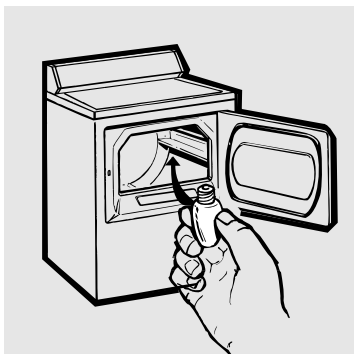
Si vous sélectionnez le programme EXTRA CARE (soins plus) l'avertisseur se fera entendre à la fin du programme de séchage et se fera entendre plusieurs fois pendant le programme EXTRA CARE (soins plus). Il vous rappelle que le programme est presque terminé.

REMARQUE :

- **Sortez rapidement les vêtements au signal sonore. Suspendez-les sur des cintres afin d'éviter qu'ils se froissent.**
- **Réglez l'avertisseur surtout lorsque vous faites sécher des tissus comme des tricots de polyester et des vêtements sans repassage. Il faut sortir rapidement ces tissus de la sècheuse pour éviter la formation de faux plis.**

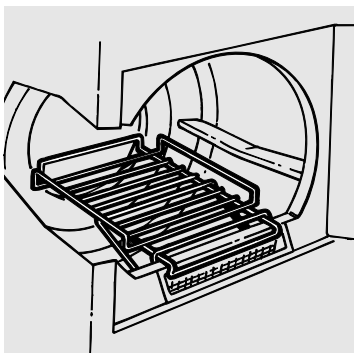


Lampe de tambour



Avant de remplacer l'ampoule, débranchez le cordon d'alimentation de la sècheuse ou débranchez la sècheuse au panneau de distribution en enlevant le fusible ou déclenchant le disjoncteur. À la partie supérieure de l'ouverture de chargement de la sècheuse, enlevez l'ampoule et remplacez-la par une ampoule de la même taille.

Grille de séchage



Une grille de séchage pratique vous permet de faire sécher des articles tels que les jouets en peluche, les oreillers ou les tricots lavables. Accrochez la grille sur le filtre à charpie de sorte qu'elle soit suspendue à l'intérieur du tambour de la sècheuse.

REMARQUE:

- **La grille de séchage doit être utilisée avec un programme de séchage minuté.**
- **Ne vous servez pas de la grille lorsqu'il y a d'autres vêtements à l'intérieur de la sècheuse.**

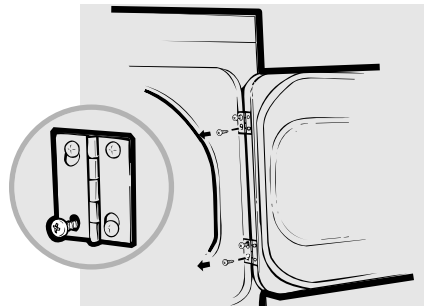


Inversion de l'ouverture de la porte

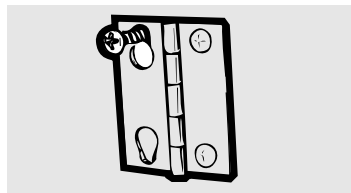
Outils nécessaires :

- Tournevis Phillips n° 2 standard
- Couteau à mastic (extrémité recouverte de ruban gommé)
- Pinces à bec long

- 1 Ouvrez la porte et enlevez les capuchons qui se trouvent du côté opposé aux charnières.
- 2 Ouvrez complètement la porte, puis enlevez la vis inférieure de chaque charnière sur le rebord de la sècheuse.

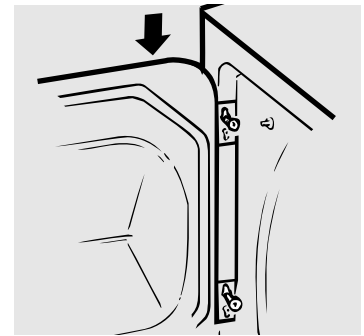


- 3 Vissez ces vis à moitié dans les trous SUPÉRIEURS, pour chaque charnière, du côté opposé (où vous avez enlevé les capuchons). Appliquez une certaine pression pour que les vis commencent à tourner dans les trous non filetés.
- 4 Dévissez à moitié la vis supérieure de chaque charnière sur le rebord de la sècheuse.

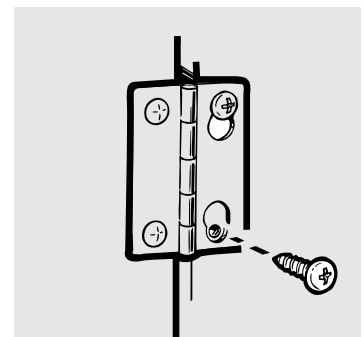


- 5 En tenant d'une main le haut de la porte et de l'autre le bas de la porte, enlevez la porte de la sècheuse en la SOULEVANT, puis en la TIRANT.

- 6 Tournez la porte de 180°. Installez-la du côté opposé de l'ouverture en RENTRANT et ABAISSANT la porte jusqu'à ce que les vis installées à l'étape 3 soient insérées dans la charnière supérieure et dans la charnière inférieure.



- 7 Enlevez les vis qui restent du côté où se trouvait la porte précédemment. Installez ces vis à la partie inférieure de chaque charnière.



- 8 Serrez les deux vis à la partie supérieure de chaque charnière.
- 9 Remettez les capuchons de plastique à l'endroit où se trouvait la porte précédemment.

Guide d'entretien des tissus



Lors de la lessive, observez toujours les directives données sur l'étiquette d'entretien du vêtement. Sinon, utilisez les renseignements ci-dessous à titre de guide général.

Article	Entretien suggéré
Oreillers	<p>Raccommodez les trous ou les coutures par où la plume ou la bourre pourrait sortir. Ne faites sécher qu'un oreiller à la fois. Arrêtez la sècheuse de temps à autre et secouez l'oreiller pour répartir la bourre afin d'obtenir un séchage uniforme. Vérifiez l'oreiller à la fin de la durée de séchage. S'il n'est pas complètement sec, réglez une autre durée de séchage.</p> <p>Ne faites sécher qu'à une température basse.</p> <p>ATTENTION : Ne séchez pas d'oreillers remplis de mousse de caoutchouc.</p>
Couvertures	<p>Mettez 2 à 4 serviettes sèches et une couverture dans l'appareil et réglez une durée de 20 à 25 minutes. Ne faites sécher qu'une couverture à la fois. Ne réglez pas une durée supérieure à 25 minutes. À la fin du séchage, retirez la couverture et redonnez-lui sa forme d'origine. Laissez-la sécher à fond avant de la ranger.</p>
Coton	<p>Faites sécher à une température moyenne.</p>
Tissus synthétiques	<p>Faites sécher à une température basse.</p>
Bourre de duvet	<p>Faites sécher à une température basse.</p>
Articles de très grande dimension (Couvre-pieds, couvertures ou couvre-matelas)	<p>Faites sécher à une température basse.</p> <p>Réglez une durée de séchage de 20 minutes. À la fin du temps de séchage, vérifiez et redistribuez la brassée. Réglez une durée de 15 minutes. À la fin du temps de séchage, vérifiez et redistribuez à nouveau la brassée. Réglez le minuteur par intervalles de 5 minutes. Vérifiez toutes les 5 minutes pour vous assurer que les articles ne remplissent pas complètement le tambour. Les articles mouillés de grande dimension devraient avoir assez de place, mais, en séchant, peuvent gonfler et ne plus avoir assez de place pour culbuter.</p> <p>ATTENTION : Les articles qui n'ont pas suffisamment de place pour culbuter peuvent bloquer la circulation d'air et brûler les tissus. Faites sécher les couvre-matelas séparément. Réglez un séchage à température basse.</p>



Chargement

Tri

En règle générale, lorsque les vêtements sont correctement triés pour le lavage, ils le sont aussi pour le séchage.

Tri selon la couleur

(Séparez les tissus bon teint de ceux qui ne le sont pas*)

- Blancs
- Couleurs pâles
- Couleurs foncées

Tri selon le type de tissu

- Cotons et toiles
- Cotons et mélanges sans repassage
- Tissus synthétiques et tricotés
- Tissus délicats

Séparez les tissus produisant de la charpie de ceux qui la recueillent

- Produisent de la charpie : serviettes en tissu bouclé et chenille
- Recueillent de la charpie : velvétine et velours côtelé

Tri selon le poids

- Articles lourds
- Articles légers

* Les tissus qui ne sont pas bon teint risquent de déteindre. Triez-les alors par couleur.

Conseils pour le chargement

- Évitez de faire sécher de très petites brassées.
- Triez les vêtements selon leur poids afin de ne pas avoir à faire un programme de séchage supplémentaire pour un ou deux articles plus lourds qui mettent plus de temps à sécher.
- N'ajoutez pas votre feuille d'assouplissant textile lorsque la brassée a commencé à chauffer, car celle-ci risque de provoquer des taches d'assouplissant.
- Ne surchargez pas la sècheuse car cela peut affecter la qualité du séchage et provoquer des faux plis. Les vêtements doivent culbuter librement.
- Ne faites pas sécher les articles suivants dans la sècheuse :
 - Articles en fibre de verre
 - Lainages
 - Articles recouverts de caoutchouc
 - Plastiques
 - Articles dotés d'une garniture en plastique
 - Articles remplis de mousse de caoutchouc

Intérieur

Le tambour résiste à la rouille. Toutefois, les tissus de couleur qui perdent leur couleur ou déteignent au lavage peuvent altérer la couleur du tambour de la sècheuse. Nous recommandons de nettoyer le tambour à l'aide d'une pâte constituée d'eau et de détergent ou

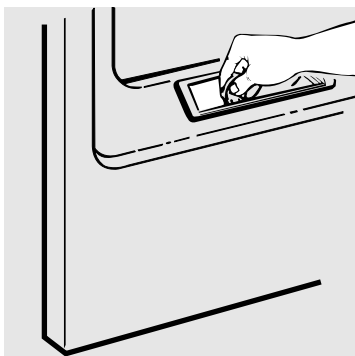
d'un produit nettoyant doux, tel que Soft Scrub^{MC}. Rincez à fond. Ensuite, avant de vous en servir à nouveau, faites sécher plusieurs chiffons ou vieilles serviettes mouillés dans la sècheuse pendant 20 à 30 minutes.

Extérieur

Essayez les produits de lessive renversés. Enlevez la poussière avec un linge humide. Évitez de frapper la surface avec des objets tranchants. Le fini et le tableau de commande de la sècheuse peuvent être endommagés par certains produits de traitement préliminaire et détachants lorsque ces produits sont vaporisés sur la sècheuse ou entrent en contact direct avec celle-ci.

Appliquez ces produits loin de la sècheuse. Vous pouvez ensuite laver et faire sécher les vêtements normalement. Les dommages causés à votre sècheuse par ces produits ne sont pas couverts par votre garantie.

Filtre à charpie



Avant chaque utilisation de votre sècheuse, nettoyez le filtre à charpie. C'est plus facile à recueillir la charpie lorsque vous avez des doigts humectés.

Pour que votre sècheuse offre toujours un rendement optimum, faites nettoyer la charpie à l'intérieur de votre appareil tous les trois ans par un réparateur.

Entreposage

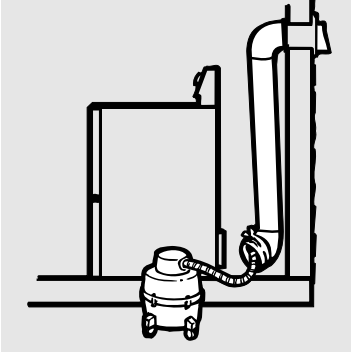
Lorsque vous entreposez votre sècheuse pendant une courte période, débranchez le cordon d'alimentation et nettoyez le filtre à charpie.



Renseignements utiles

Entretien et nettoyage

Conduit d'évacuation

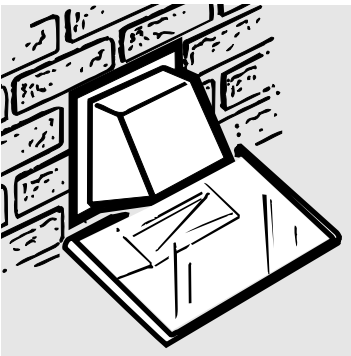


Inspectez et nettoyez au moins une fois par année le conduit d'évacuation de la sècheuse afin d'éviter qu'il se bloque. Lorsque le conduit d'évacuation est partiellement obstrué, cela a pour effet d'allonger la durée de séchage.

Pour nettoyer le conduit d'évacuation, procédez de la façon suivante :

- 1** Coupez l'alimentation électrique en débranchant le cordon d'alimentation de la prise murale.
- 2** Débranchez le conduit d'évacuation de la sècheuse.
- 3** Passez le tuyau de l'aspirateur dans le conduit d'évacuation.
- 4** Rebranchez le conduit d'évacuation à la sècheuse.

Évent mural



Vérifiez l'intérieur de l'évent à l'aide d'un miroir afin d'éliminer toute obstruction.

- Assurez-vous que le volet de l'évent mural bouge librement (vous pouvez vérifier à l'aide d'un miroir).
- Assurez-vous que le volet s'ouvre complètement lorsque la sècheuse fonctionne.
- Assurez-vous qu'il n'y a pas de nid (d'oiseaux, d'insectes, etc.) à l'intérieur du conduit d'évacuation ou de l'évent.

Lorsqu'un problème survient

Avant d'appeler un réparateur



Problème	Causes probables	Correctifs
La sécheuse ne fonctionne pas	Sécheuse non branchée	<ul style="list-style-type: none">Assurez-vous que le cordon d'alimentation est bien branché dans la prise de courant.
	Fusible grillé/ disjoncteur déclenché	<ul style="list-style-type: none">Vérifiez les fusibles/disjoncteurs de la résidence. Remplacez le fusible ou réenclenchez le disjoncteur. REMARQUE : La plupart des sécheuses électriques exigent deux disjoncteurs.
La sécheuse ne chauffe pas	Fusible grillé/ disjoncteur déclenché, la sécheuse tourne, mais ne chauffe pas	<ul style="list-style-type: none">Vérifiez les fusibles/disjoncteurs de la résidence. Remplacez le fusible ou réenclenchez le disjoncteur.
	Alimentation en gaz coupée	<ul style="list-style-type: none">Assurez-vous que le robinet d'alimentation en gaz de la sécheuse et de la conduite de gaz sont ouverts.
La sécheuse est bruyante ou vibre	Un peu de vibration/bruit est normal. Elle ne repose pas solidement sur le plancher	<ul style="list-style-type: none">Installez la sécheuse sur un plancher uniforme, ou faites en sorte qu'elle soit bien de niveau.
Charpie sur les vêtements	Filtre à charpie plein	<ul style="list-style-type: none">Nettoyez le filtre à charpie avant chaque utilisation.
	Tri incorrect	<ul style="list-style-type: none">Séparez les tissus produisant de la charpie (comme la chenille) de ceux qui la recueillent (comme le velours côtelé).
	Charpie attirée par l'électricité statique	<ul style="list-style-type: none">Voir les suggestions données ci-dessous à la section «ÉLECTRICITÉ STATIQUE».
	Surcharge	<ul style="list-style-type: none">Divisez les grosses charges en brassées plus petites.
	Papier, papier mouchoir, etc., oubliés dans les poches	<ul style="list-style-type: none">Videz toutes les poches avant de laver les vêtements.



Lorsqu'un problème survient

Problème	Causes probables	Correctifs
Électricité statique	Séchage excessif	<ul style="list-style-type: none">• Utilisez un produit assouplissant.• Réglez une durée de séchage plus courte.
	Utilisation d'aucun produit assouplissant	<ul style="list-style-type: none">• Utilisez un produit assouplissant.
	Les mélanges, les tissus synthétiques et sans repassage peuvent causer de l'électricité statique	<ul style="list-style-type: none">• Utilisez un produit assouplissant.
Les vêtements prennent trop de temps à sécher	Tri incorrect	<ul style="list-style-type: none">• Séparez les articles lourds des articles légers (en général, lorsque la brassée est bien triée pour le lavage, elle l'est aussi pour le séchage).
	Grosses brassées d'articles lourds (comme des serviettes de plage)	<ul style="list-style-type: none">• Les gros articles lourds retiennent davantage d'humidité et prennent plus de temps à sécher. Faites sécher de plus petites brassées pour accélérer le séchage.
	Commandes mal réglées	<ul style="list-style-type: none">• Réglez les commandes en fonction de la brassée que vous faites sécher.
	Filtre à charpie plein	<ul style="list-style-type: none">• Nettoyez le filtre à charpie avant chaque utilisation.
	Conduit d'évacuation inadéquat ou obstrué	<ul style="list-style-type: none">• Vérifiez les Directives d'installation pour que le conduit d'évacuation soit adéquat.• Assurez-vous que le conduit est propre, qu'il n'est pas pincé ni obstrué.• Vérifiez si le volet de l'évent mural bouge librement.• Voir la section «ÉVACUATION DE LA SÈCHEUSE».
	Fusibles grillés ou disjoncteurs déclenchés	<ul style="list-style-type: none">• Remplacez les fusibles ou réenclenchez les disjoncteurs. Comme la plupart des sècheuses nécessitent deux fusibles/disjoncteurs, assurez-vous que les deux sont en bon état.
	Surcharge/brassées mélangées	<ul style="list-style-type: none">• Ne mettez qu'une brassée dans la sècheuse à la fois.
	Brassée trop petite	<ul style="list-style-type: none">• Lorsque vous ne faites sécher qu'un ou deux articles, ajoutez quelques articles pour assurer un culbutage adéquat.



Problème	Causes probables	Correctifs
Les vêtements sont froissés	Séchage excessif	<ul style="list-style-type: none">• Réglez une durée de séchage plus courte.• Retirez les vêtements de la sècheuse lorsqu'ils sont encore légèrement humides.
	Articles laissés dans la sècheuse après la fin du programme	<ul style="list-style-type: none">• Retirez les articles de la sècheuse lorsque le programme est terminé. Pliez-les ou suspendez-les immédiatement.
Taches de graisse sur les vêtements	Utilisation inadéquate d'assouplissant	<ul style="list-style-type: none">• Suivez les directives sur l'emballage de l'assouplissant.
	Séchage d'articles sales avec des articles propres	<ul style="list-style-type: none">• Ne faites sécher que des articles propres dans votre sècheuse. Les articles sales peuvent tacher les articles propres et la sècheuse.
	Nettoyage insuffisant des vêtements	<ul style="list-style-type: none">• Quelquefois les taches qui sont invisibles lorsque les articles sont mouillés apparaissent après le séchage. Utilisez les procédés de lavage corrects avant de sécher.
Les vêtements rétrécissent	Certains tissus rétrécissent au lavage. D'autres peuvent être lavés en toute sécurité mais rétrécissent au séchage	<ul style="list-style-type: none">• Pour éviter tout rétrécissement, suivez à la lettre les directives sur l'étiquette d'entretien des vêtements.• Certains articles peuvent retrouver leur forme d'origine après le séchage grâce à un pressage.• Lorsque vous ne savez pas si un article rétrécit ou non, ne le lavez pas ou ne le faites pas sécher à la machine.

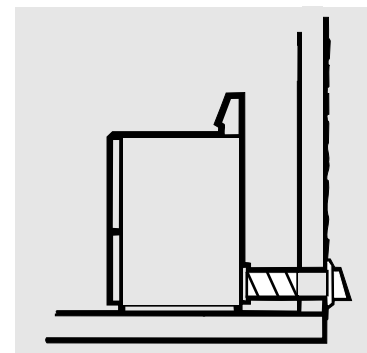
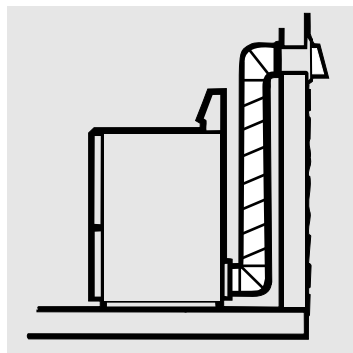


Évacuation de la sècheuse

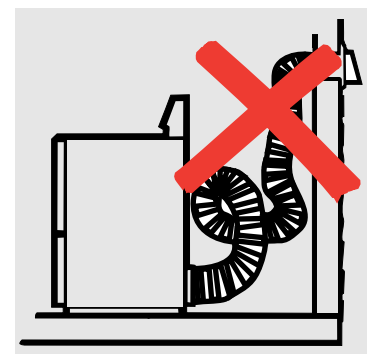
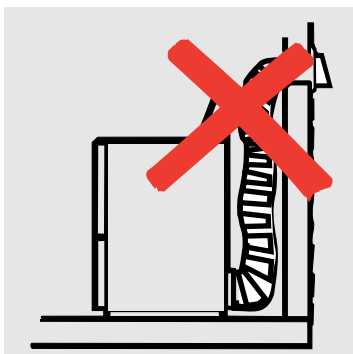
Pour un meilleur rendement de la sècheuse, l'air de la sècheuse doit être correctement évacué. **Suivez les consignes données pour l'évacuation dans les Directives d'installation.**

- N'utilisez qu'un conduit d'évacuation de métal rigide ou flexible de 4 po de diamètre dans le cabinet de la sècheuse pour l'évacuation de l'air à l'extérieur.
- N'utilisez pas de conduit d'évacuation de plastique ou d'autre conduit d'évacuation combustible.
- Utilisez une longueur la plus courte que possible.
- N'écrasez pas ou ne pliez pas.
- Évitez de poser le conduit d'évacuation sur les objets tranchants.
- **L'évacuation doit être conforme à la réglementation locale en matière de construction.**

Évacuation correcte



Évacuation incorrecte



Notes

Numéros de service GE



Nous serons là!

GE Answer Center®

Aux États-Unis :
800.626.2000

Lorsque vous avez des questions au sujet d'un électroménager GE, le Centre de réponse GE est en mesure de vous aider **aux États-Unis**. On répondra rapidement et avec courtoisie à votre appel et à vos questions. Vous pouvez téléphoner en tout temps. Le Centre de réponse GE est ouvert 24 heures par jour, 7 jours par semaine.

Au Canada communiquez avec le :
Directeur, Relations avec les consommateurs, Camco Inc.,
1 Factory Lane, Suite 310,
Moncton, N.B., E1C 9M3

Service de réparation à domicile

Aux États-Unis :
800-GE-CARES
(800-432-2737)

Au Canada :
800-361-3400

Un professionnel du Service après-vente GE effectuera la réparation nécessaire au moment qui vous convient vraiment. De nombreuses succursales de Service après-vente GE vous offrent un service le jour même ou le lendemain, ou à la date qui vous convient (entre 7 h 00 et 19 h 00 en semaine, et entre 9 h 00 et 14 h 00 le samedi).

Nos techniciens formés à l'usine connaissent à fond votre électroménager—la plupart des réparations peuvent être ainsi effectuées en une seule visite.

Si vous avez des besoins particuliers

Aux États-Unis :
800.626.2000

Sur demande, GE peut vous fournir des commandes avec inscription en braille pour une variété d'électroménagers GE, de même qu'une brochure qui facilite l'aménagement d'une cuisine pour les personnes dont la mobilité est limitée. Vous pouvez obtenir ces articles **aux États-Unis** sans frais en appelant au 800.626.2000.

Les clients qui présentent des problèmes d'élocution, de même que les malentendants qui possèdent un dispositif spécial de télécommunication ou un télécriteur traditionnel, peuvent composer **aux États-Unis** le 800-TDD-GEAC (800-833-4322) pour toute demande de renseignement ou de service après-vente.

Au Canada communiquez avec le :
Directeur, Relations avec les consommateurs, Camco Inc.,
1 Factory Lane, Suite 310,
Moncton, N.B., E1C 9M3



Contrats d'entretien

Aux États-Unis :
800-626-2224

Au Canada :
800-461-3636

Ayez l'esprit tranquille en sachant que vous pourrez toujours compter sur le Service après-vente GE lorsque votre garantie sera expirée. Achetez un contrat d'entretien GE avant que votre garantie n'expire et bénéficiez ainsi d'un rabais substantiel. En achetant un contrat de plusieurs années, vous pouvez ainsi faire effectuer des réparations dans le futur aux prix d'aujourd'hui.

Pièces et accessoires

Aux États-Unis :
800-626-2002

Au Canada :
Veillez consulter les Pages Jaunes pour obtenir le numéro de la succursale Camco la plus près de chez vous.

Les bricoleurs qui désirent réparer eux-mêmes leurs électroménagers peuvent recevoir directement à la maison, les pièces et accessoires. Le système de pièces GE vous donne accès à plus de 47 000 pièces...Et toutes les pièces de rechange d'origine GE sont entièrement garanties. Nous acceptons les cartes VISA, MasterCard et Discover.

Les directives d'entretien et de nettoyage stipulées dans le présent manuel comportent des procédures que n'importe quel utilisateur peut effectuer. Les autres types de réparations doivent généralement être effectués par un technicien qualifié. Il faut faire preuve de prudence, puisqu'une réparation inadéquate peut affecter le fonctionnement sécuritaire de l'appareil.

Si vous avez besoin de réparation

Nous sommes fiers de notre service de réparation et désirons vous donner satisfaction. Si pour quelque raison que ce soit vous n'êtes pas satisfait du service après-vente dont vous avez bénéficié, voici la marche à suivre.

Aux États-Unis :

Premièrement, communiquez avec les gens qui ont réparé votre appareil. Expliquez-leur pourquoi vous n'êtes pas satisfait. Dans la plupart des cas, cela devrait résoudre votre problème.

Ensuite, si vous n'êtes toujours pas satisfait, écrivez, en donnant tous les détails y compris votre numéro de téléphone, au : Manager, Consumer Relations, GE Appliances, Appliance Park, Louisville, KY 40225

Enfin, si votre problème n'est pas encore résolu, écrivez au : Major Appliance Consumer Action Program, 20 North Wacker Drive, Chicago, IL 60606

Au Canada :

Premièrement, communiquez avec les gens qui ont réparé votre appareil et expliquez-leur pourquoi vous n'êtes pas satisfait. Habituellement, cela devrait régler votre problème.

Ensuite, si vous n'êtes toujours pas satisfait, écrivez à l'adresse ci-dessous, en indiquant tous les détails, y compris votre numéro de téléphone : Directeur, Relations avec les consommateurs, Camco Inc., 1 Factory Lane, Suite 310, Moncton, N.B., E1C 9M3

GARANTIE DE LA SÈCHEUSE

Agrafez ici votre facture ou votre chèque annulé. Pour bénéficier de réparations sous garantie, il faut fournir une preuve de la date d'achat d'origine.

Cette garantie ne s'applique qu'aux États-Unis. La Garantie peut varier au Canada. Voyez votre marchand Profile approuvé pour les détails.

Ce qui est couvert

GARANTIE COMPLÈTE D'UN AN

Pendant un an à compter de la date d'achat d'origine, nous fournirons sans frais les pièces et la main-d'oeuvre pour réparer ou remplacer à votre domicile *toute pièce de la sècheuse* qui se révèle défectueuse en raison d'un vice de fabrication.

GARANTIE LIMITÉE SUPPLÉMENTAIRE DE QUATRE ANS

De la deuxième à la cinquième années à compter de la date d'achat d'origine, nous remplacerons sans frais un tambour de sècheuse très grand ou de grande capacité qui se révèle défectueux en raison d'un vice de fabrication. Vous n'avez qu'à assumer les frais de déplacement du réparateur à votre domicile, ainsi que les frais de main-d'oeuvre.

Cette garantie est offerte à l'acheteur initial ainsi qu'à tout acheteur subséquent d'un produit acheté à des fins domestiques dans les 48 états du continent américain, à Hawaï et à Washington, D.C. En Alaska, la même garantie s'applique, sauf qu'elle est LIMITÉE, car vous devez assumer les frais d'expédition du produit à l'atelier de réparation ou les frais de déplacement du réparateur à votre domicile.

Toutes les réparations sous garantie seront effectuées pendant les heures normales de travail par nos centres de réparation ou par nos réparateurs Customer Care[®] autorisés.

Si, au cours de la période de garantie ou après, votre électroménager a besoin de réparation, composez le 800-GE-CARES (800-432-2737).

Ce qui n'est pas couvert

- Toute visite à votre domicile pour vous expliquer le fonctionnement de l'appareil.

Lisez votre Manuel d'utilisation.

Pour toute question concernant le fonctionnement de l'appareil, communiquez avec votre marchand ou notre bureau des Relations avec les consommateurs à l'adresse indiquée ci-dessous, ou téléphonez sans frais au :

GE Answer Center[®]
800.626.2000
service d'information à la clientèle

- Une installation inadéquate.

Si vous avez des questions concernant l'installation, communiquez avec votre marchand ou votre installateur. Il vous incombe de fournir les installations appropriées d'électricité, d'évacuation et autres.

- Le remplacement des fusibles ou le réenclenchement des disjoncteurs du panneau de distribution.
- Toute défectuosité du produit lorsqu'il est utilisé de façon abusive, ou à des fins commerciales ou à toute autre fin que celle pour laquelle il a été conçu.
- Tout dommage au produit attribuable à un accident, un incendie, une inondation ou un cas de force majeure.

LE FABRICANT NE SE TIENT NULLEMENT RESPONSABLE DE TOUT DOMMAGE INDIRECT.

Dans certains états, il est interdit d'exclure ou de limiter les dommages directs ou indirects. Il est alors possible que les limitations ou exclusions ci-dessus ne s'appliquent pas dans votre cas. La présente garantie vous confère des droits juridiques spécifiques. Vous pouvez bénéficier d'autres droits qui varient d'un état à l'autre. Pour connaître les droits dont vous bénéficiez dans votre état, communiquez avec le bureau des Relations avec les consommateurs de votre région ou de votre état, ou avec le procureur général de votre état.

Garant : General Electric Company Si vous avez des questions concernant la présente garantie, écrivez au : **Manager—Consumer Affairs, GE Appliances, Louisville, KY 40225**









Secadora

Manual del propietario

	Información importante de seguridad	53
---	--	-----------

	Instrucciones de operación <i>Los controles de su secadora</i> <i>Otras características de la secadora</i>	58
--	---	-----------

	Información útil <i>Guía especializada de tipos de telas</i> <i>Sugerencias para las cargas</i> <i>Cuidado del producto</i>	63
---	---	-----------

	Si algo sale mal <i>Antes de solicitar un servicio</i> <i>Ventilación de la secadora</i> <i>Números de servicio de GE</i> <i>Garantía</i>	67
---	--	-----------

Bienvenido

Bienvenido a la familia GE. Nos sentimos orgullosos de nuestros productos de calidad y creemos en el servicio confiable. Usted lo verá en este manual fácil de usar y lo escuchará en las voces amistosas de nuestro departamento de atención a clientes.

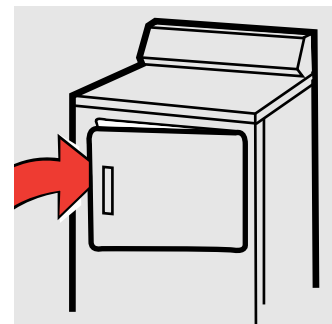
Y lo mejor es que usted experimentará estos valores cada vez que lave ropa. Esto es importante ya que su nueva secadora formará parte de su familia durante largo tiempo.

¡Comience aquí!

*Antes de
usar
su
secadora*

Engrape su factura en la parte interior de la contraportada de este manual.

Escriba aquí los números de modelo y de serie. Se localizan detrás del borde superior del panel de control.



Número de modelo

Número de serie

Fecha de compra

¿Necesita ayuda?

*Ayúdenos a
ayudarle*

*En los Estados Unidos
800.626.2000*

Antes de solicitar un servicio, hay unas cuantas cosas que usted puede hacer para ayudarnos a servirle mejor.

Lea este manual. Contiene instrucciones que le ayudarán a usar y mantener de manera correcta su secadora.

Ahorre tiempo y dinero. Revise la sección llamada “Si algo falla” antes de solicitar un servicio. Esta sección fue diseñada para resolver los problemas más comunes que usted puede encontrar.

Si requiere un servicio, puede sentirse relajado al saber que la ayuda está a sólo una llamada telefónica de distancia. Se incluye una lista de números gratuitos de servicio a clientes en el interior de la contraportada. O llame **en los Estados Unidos** al GE Answer Center[®] (Servicio de información para el consumidor) al 800.626.2000 las 24 horas del día, los 7 días de la semana.



Lea toda la información sobre seguridad antes de usar el aparato



ADVERTENCIA: Por su seguridad, la información contenida en este manual debe seguirse al pie de la letra para reducir al mínimo el riesgo de incendios o explosiones o para evitar daños a la propiedad, lesiones a la persona o fallecimientos.

No almacene ni use gasolina ni otros vapores o líquidos inflamables cerca de éste o de cualquier otro aparato.

La instalación y servicio deben ser realizados por un instalador calificado, una agencia de servicio o por su proveedor de gas.

SI HUELE A GAS

- 1** No trate de encender ningún aparato.
- 2** No toque ningún interruptor eléctrico; no use ningún teléfono que esté en su domicilio o edificio.
- 3** Saque de la habitación, edificio o área a todos los ocupantes.
- 4** De inmediato llame a su proveedor de gas desde el teléfono de algún vecino. Siga las instrucciones de su proveedor de gas.
- 5** Si no puede ponerse en contacto con su proveedor de gas, llame a los bomberos.



Acta de Obligatoriedad del Estado de California sobre Agua Potable y Sustancias Tóxicas

Esta acta requiere que el gobernador de California publique una lista de sustancias de las que el estado tiene conocimiento como causantes de cáncer, defectos de nacimiento y otros daños reproductivos y requiere a los negocios que adviertan a los clientes sobre los riesgos de la exposición potencial a dichas sustancias.

Los aparatos que funcionan con gas pueden producir exposiciones poco importantes a cuatro de estas sustancias, que son benceno, monóxido de carbono, formaldehído y hollín, causados principalmente por la combustión incompleta de los combustibles de gas natural o de gas LP.

Las secadoras que están correctamente ajustadas minimizan la combustión incompleta. La exposición a estas sustancias puede disminuirse aún más si se ventilan adecuadamente las secadoras con salidas al exterior.



Información importante de seguridad

Lea toda la información de seguridad antes de usar el aparato



Advertencia

Para reducir el riesgo de incendio, choque eléctrico o lesiones a las personas cuando use este aparato, siga las precauciones básicas, incluyendo las que se encuentran en las siguientes secciones.

Precauciones de seguridad

- Utilice este aparato sólo para el propósito que fue diseñado según se describe en este Manual del propietario.
- Esta secadora debe instalarse de manera correcta y ubicarse en conformidad con las Instrucciones de instalación antes de ser usada. Si no recibió una hoja de Instrucciones de instalación, puede obtener una llamando sin costo alguno **en los Estados Unidos** al GE Answer Center[®], 800.626.2000.
 - Realice una conexión a tierra adecuada que esté en conformidad con todos los códigos u ordenanzas vigentes. Siga los detalles que se encuentran en las Instrucciones de instalación.
 - Instale o guarde en donde la temperatura sea superior a 50 °F (10 °C). No instale la secadora donde quede expuesta a la intemperie.
 - Conecte a un circuito de suministro de energía eléctrica correctamente medido, protegido y del calibre correcto para evitar una sobrecarga eléctrica.
 - Se DEBE tener un tubo de escape hacia el exterior para las secadoras de gas. Siga con mucho cuidado los detalles del Tubo de escape en las Instrucciones de instalación.
- SE RECOMIENDA AMPLIAMENTE tener un tubo de escape hacia el exterior para evitar que en la habitación se acumulen grandes cantidades de humedad y pelusa. Siga con mucho cuidado los detalles del Tubo de escape en las Instrucciones de instalación.
- No repare ni reemplace ninguna parte de este aparato ni intente llevar a cabo ningún servicio a menos que esté recomendado de manera específica en este Manual del propietario o que esté publicado en instructivos de reparaciones hechas por el usuario que usted comprenda bien y que sea capaz de llevar a la práctica.
- Cuando desconecte este aparato tire de la clavija y no del cable para evitar que se dañe el cable o la unión entre el cable y la clavija. Asegúrese de que el cable se localice en un sitio en donde no lo puedan pisar, tropezar con él o que no esté sujeto a daño o tensión.



- Tubo de escape—Vea las Instrucciones de instalación. Use sólo tubo de metal rígido o de metal flexible de 4 pulgadas dentro el gabinete de la secadora o como salida al exterior. **EL USO DE TUBERIAS DE PLASTICO O TUBERIAS COMBUSTIBLES DE OTRO TIPO PUEDE CAUSAR UN INCENDIO SI EL TUBO SE CAE O SI SU USO QUEDA RESTRINGIDO DE ALGUNA MANERA DURANTE EL USO O LA INSTALACION.**
- No seque artículos que contengan hule, plástico o materiales similares (por ejemplo, sostenes acojinados, tenis, zapatillas de hule, tapetes de baño, tapetes, baberos, calzones de hule para bebé, bolas de plástico, almohadas, etcétera) ya que estos materiales pueden derretirse o quemarse. También, algunos materiales de hule, cuando se calientan, bajo determinadas circunstancias pueden provocar un incendio por combustión espontánea.
- No guarde artículos que puedan quemarse o derretirse (ropa, papeles, plásticos o recipientes de plástico, etcétera) sobre la secadora mientras ésta se encuentre en operación.
- Las prendas que estén marcadas con la etiqueta “Seque lejos de fuentes de calor” o “No seque en máquina” (como chalecos salvavidas que contengan Kapok) no deben meterse en su secadora.
- No lave ni seque artículos que se hayan limpiado, lavado en, remojado en o manchado con sustancias combustibles o explosivas (tales como cera, aceite, pintura, gasolina, desengrasantes, solventes para lavado en seco, queroseno, etcétera) que puedan incendiarse o estallar. No añada estas sustancias al agua de lavado. No use estas sustancias cerca de su lavadora y de su secadora durante la operación de cualquiera de éstas.
- Cualquier artículo en el que usted haya usado un solvente limpiador o que contenga materiales inflamables (tales como trapos de limpieza, jergas, toallas que se usan en salones de belleza, restaurantes o barberías, etcétera) no deben colocarse en o cerca de la secadora hasta que se hayan quitado todos los rastros de estos líquidos o sólidos inflamables y sus vapores. Hay una gran cantidad de artículos altamente inflamables que se usan en los hogares. Por ejemplo: acetona, alcohol desnaturalizado, gasolina, queroseno, algunos limpiadores caseros, algunos removedores de manchas, aguarrás, ceras, removedores de cera y productos que contienen destilados de petróleo.



Información importante de seguridad

Lea toda la información sobre seguridad antes de usar el aparato

- Limpie el filtro para pelusa antes de poner cada carga y evitar así que la pelusa se acumule dentro de la secadora o en la habitación. **NO OPERE LA SECADORA SIN QUE EL FILTRO PARA PELUSA ESTE COLOCADO EN SU SITIO.**
- Mantenga la área alrededor y debajo de sus aparatos libre de la acumulación de materiales combustibles tales como pelusa, papel, trapos, productos químicos, etcétera.
- Inspeccione con regularidad el tubo de escape para asegurarse que no ha sido aplastado o restringido de otra manera.
- Una persona calificada debe limpiar periódicamente el interior de la máquina y la conexión del tubo de escape.
- Nunca meta las manos en la secadora mientras el tambor esté en movimiento. Antes de cargar, descargar o añadir ropa, espere a que el tambor se haya detenido por completo.
- No seque en su secadora artículos de fibra de vidrio. Podría sufrir irritación de la piel como resultado de que hayan quedado partículas de fibra de vidrio que puedan haberse adherido a otras prendas durante el uso subsecuente de la secadora.
- El proceso de lavado reduce la capacidad de las telas a ser retardantes al fuego. Para evitar ese resultado, deben seguirse con gran cuidado las instrucciones impresas en la etiqueta del fabricante de la prenda.
- Es necesaria una supervisión muy estrecha si este aparato va a ser usado por niños o donde haya niños cerca. No permita que los niños jueguen en el interior, sobre el aparato o en cualquier aparato que haya desechado. Deshágase de los aparatos que haya desechado y de los materiales de embalaje o empaque en forma adecuada. Antes de deshacerse de una secadora o de retirarla de servicio, quite la puerta del compartimiento de secado.
- Mantenga todos los auxiliares de limpieza (tales como detergentes, blanqueadores, suavizantes para telas, etcétera) lejos del alcance de los niños, de preferencia en un gabinete con llave. Observe todas las advertencias que se encuentran en las etiquetas de los recipientes para evitar lesiones.
- Mantenga limpio y seco el suelo alrededor de sus aparatos para reducir de este modo la posibilidad de que alguien resbale.



- Para minimizar la posibilidad de un choque eléctrico, desconecte este aparato del suministro de corriente eléctrica o desconecte la secadora al panel de distribución quitando el fusible o apagando el interruptor de circuitos antes de intentar llevar a cabo cualquiera actividad de mantenimiento o limpieza (excepto quitar y limpiar el filtro para pelusa).
- Si la suya es una secadora de gas, estará equipada con un mecanismo de ignición eléctrica y no tiene una luz piloto. **NO INTENTE ENCENDERLA UTILIZANDO UN FOSFORO.** Puede sufrir quemaduras por colocar la mano cerca del quemador cuando se encienda la ignición automática.
- Tal vez quiera suavizar las telas que haya lavado o reducir la electricidad estática de las mismas usando un suavizante para telas que se aplique en la secadora o y un acondicionador anti-estática. Le recomendamos que utilice ya sea un suavizante para telas en el ciclo de lavado, siguiendo las instrucciones del fabricante para ese tipo de producto, o que pruebe un producto que se añada durante el secado, en el que el fabricante asegura por escrito en la etiqueta del empaque de que su producto puede usarse sin riesgo en su secadora.

NOTA: El hecho de colocar la perilla de Selección de ciclos en la posición de apagado, **NO** desconecta este aparato del suministro de energía eléctrica.

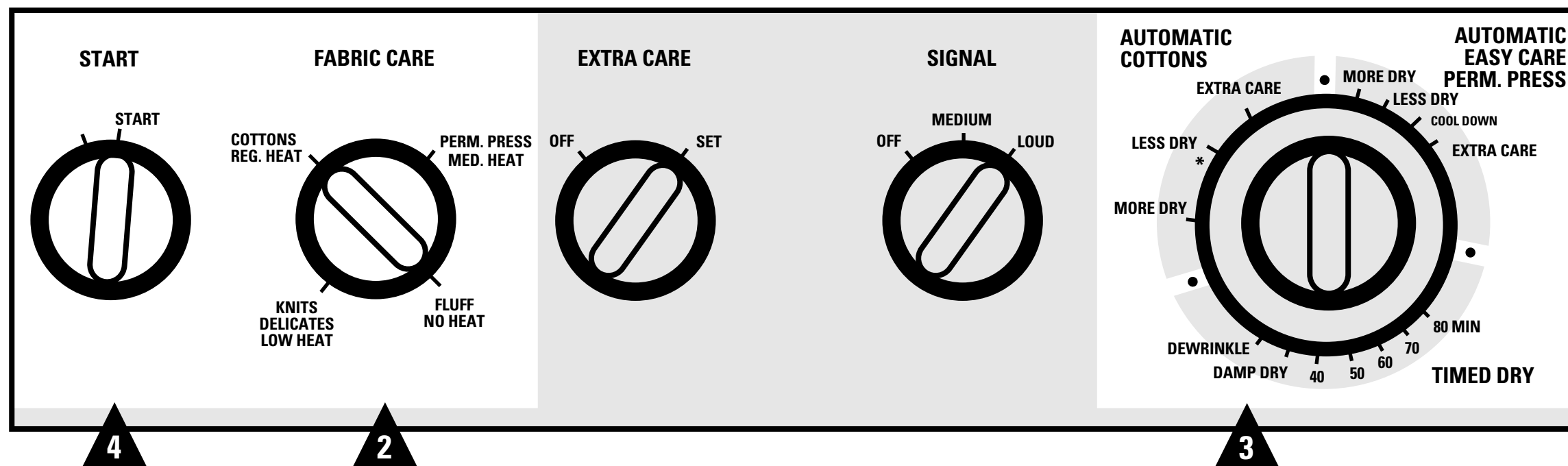
- No juegue con los controles.
- No ponga a funcionar este aparato si está dañado, si funciona mal, si está parcialmente desarmado o si tiene partes rotas o faltantes, incluyendo un cable o clavija en malas condiciones.
- Nunca trepe a la secadora ni se pare sobre la parte superior de ésta.
- No ponga en la secadora artículos expuestos a aceite para cocinar. Los artículos contaminados con aceite para cocinar pueden contribuir a una reacción química que podría incendiar la carga de ropas.

Los problemas de servicio o de funcionamiento causados por el uso de estos productos son responsabilidad de los fabricantes de esos productos y no están cubiertos por la garantía de este aparato.

GUARDE ESTAS INSTRUCCIONES

Instrucciones de operación

Los
controles
de su
secadora



Descripciones de ciclos

Ciclos de secado automático

En estos ciclos se detecta de manera automática que las prendas están secas

Cuidado fácil planchado permanente automático

Para mezclas sintéticas. Seleccione **More dry** (más secado) para telas más pesadas **Less dry** (menos secado) para telas más ligeras.

Algodones regulares automático

Para algodones y la mayoría de los linos. Para la mayoría de cargas seleccione la Selección regular preferida, marcada con un *. Fije hacia **More dry** (más secado) para telas más gruesas y **Less dry** (menos secado) para telas más ligeras.

Ciclos de secado por tiempo

Estos ciclos funcionan durante un tiempo seleccionado

Secado por tiempo

Coloque el Selector de ciclo en el tiempo de secado deseado.

Desarrugar

Para quitar arrugas de artículos que están limpios y secos o muy ligeramente húmedos. Coloque el Selector de ciclos en la posición de DEWRINKLE.

Secado húmedo

Para dejar los artículos parcialmente húmedos coloque el Selector de ciclos en la posición DAMP DRY.

NOTA:
Los tiempos de secado variarán de acuerdo al tipo de calor que se utilice (eléctrico, natural o de gas LP), el tamaño de la carga, los tipos de tela, la humedad de las prendas y la condición de los ductos de escape.

1 Limpie el filtro para pelusa

Limpie el filtro para pelusa cada vez que use la secadora.

PRECAUCION:

No opere la secadora sin que el filtro para pelusa esté en su sitio.

2 Selecciones de temperatura/cuidado de las telas

Siga siempre las instrucciones de cuidado de la etiqueta del fabricante cuando lave sus prendas. Use esta tabla como guía general.

Selecciones de secado	Uso
Algodones/Calor regular	Para telas de algodón regulares a pesadas.
Planchado permanente/Calor medio	Para sintéticos, mezclas y artículos marcados "planchado permanente."
Tejidos/Prendas delicadas/Calor bajo	Para artículos marcados "secar en máquina con calor bajo."
Prendas rellenas/Sin calor	Para "recuperar la forma" de los artículos sin usar calor. Use el ciclo de Secado por tiempo.

3 Cómo seleccionar el ciclo de secado

Seleccione un ciclo automático o por tiempo. Vea las Descripciones de ciclos que se mencionan antes.

4 Inicie el secado

- Cierre la puerta de la secadora.
- Seleccione la perilla de START (inicio).

El hecho de abrir la puerta durante la operación hará que la secadora se detenga. Para volver a iniciar el funcionamiento de la secadora, cierre la puerta y seleccione la perilla de START (inicio) para completar el ciclo.

Vea la siguiente página para conocer otras características de la secadora.

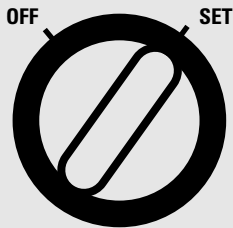


Instrucciones de operación

Otras características de secado que puede tener su modelo

Cuidado adicional

EXTRA CARE



Utilice el ciclo de EXTRA CARE (cuidado adicional) para minimizar las arrugas en las prendas. El ciclo le proporciona aproximadamente 15 minutos de secado sin calor después de que las prendas estén secas.

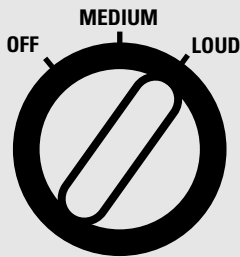
Esta opción puede usarse solamente con los ciclos automáticos.

CONSEJO:

Si se selecciona la opción de SIGNAL (señal), la señal sonará al final del tiempo de secado y sonará varias veces durante el ciclo de EXTRA CARE (cuidado adicional). Le recordará que casi se completó el ciclo.

Señal

SIGNAL



Esta señal sonará justo antes de que termine el ciclo para recordarle que saque las prendas.

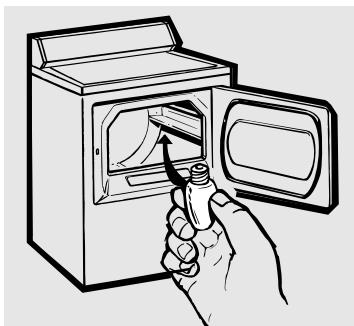
Si se seleccionó el ciclo de EXTRA CARE (cuidado adicional) la señal sonará al final del tiempo de secado y sonará varias veces durante el ciclo de EXTRA CARE (cuidado adicional). Le recordará que casi se completó el ciclo.

NOTA:

- **Saque las prendas con prontitud cuando escuche la señal. Coloque las prendas en ganchos para colgar de manera que no se formen arrugas en la ropa.**
- **Utilice la señal en especial cuando seque telas de tejidos de poliéster y de planchado permanente. Estas telas deben sacarse con prontitud para evitar que se formen arrugas en la ropa.**

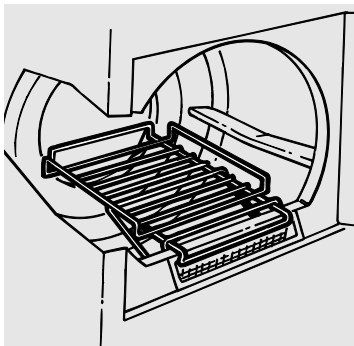


Luz del tambor



Antes de reemplazar la bombilla de luz, asegúrese de desconectar el cable de suministro eléctrico de la secadora o desconecte la secadora al panel de distribución quitando el fusible o apagando el interruptor de circuitos. Meta la mano en la abertura de la secadora desde adentro del tambor. Quite la bombilla y reemplácela con una del mismo tamaño.

Rejilla de secado



Una rejilla de secado práctica puede ser usada para secar artículos tales como trastes de juguetería, almohadas o suéteres lavables. Enganche la rejilla de secado sobre las hilas del filtro para pelusa así que la rejilla quede suspendida dentro del tambor de secado.

NOTA:

- **La rejilla de secado debe ser usada con el ciclo de secado por tiempo.**
- **No use esta rejilla de secado cuando haya ropa en la secadora.**



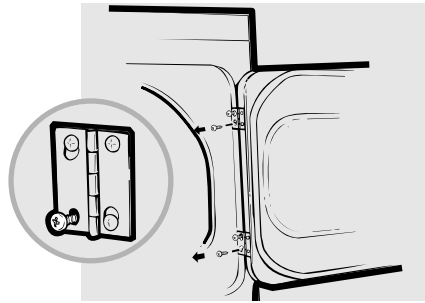
Instrucciones de operación

Cómo voltear la puerta

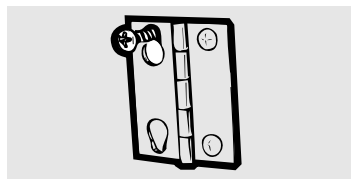
Herramientas necesarias:

- Destornillador Phillips # 2 estándar
- Espátula para masilla con cinta adhesiva en la punta
- Pinzas de punta fina

- 1 Abra la puerta y quite los tapones que están frente a las bisagras.
- 2 Con la puerta completamente abierta, retire el tornillo inferior de cada bisagra del lado de la secadora.

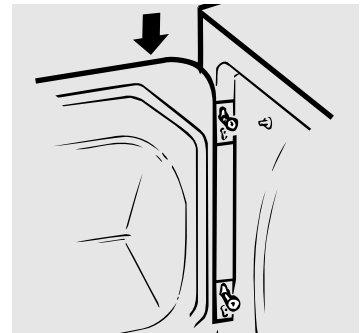


- 3 Inserte estos tornillos hasta la mitad en los agujeros SUPERIORES de cada bisagra, en el lado opuesto. (Donde quitó los tapones). Aplique una presión firme para que el tornillo entre en los agujeros no perforados.
- 4 Afloje el tornillo de arriba hasta la mitad en cada una de las bisagras que están del lado de la secadora.

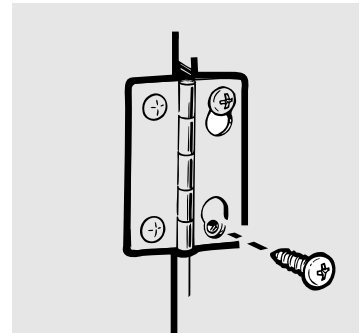


- 5 Con una mano sosteniendo la parte superior de la puerta y con la otra sosteniendo la parte inferior, quite la puerta de la secadora levantándola hacia ARRIBA y hacia AFUERA.

- 6 Haga girar la puerta 180°. Insértela en la parte opuesta de la abertura moviendo la puerta hacia ADETRÁS y hacia ABAJO hasta que la bisagra superior descansa en los tornillos superiores que se colocaron en el paso 3.



- 7 Quite los tornillos restantes de cada lado de la abertura de donde quitó la puerta. Con estos mismos tornillos, asegure cada bisagra en la parte inferior.



- 8 Apriete los dos tornillos superiores de cada bisagra.
- 9 Vuelva a insertar los tapones de plástico en el lado de donde se quitó la puerta.

Guía de cuidados especiales



Siga siempre las instrucciones de cuidado de la etiqueta del fabricante cuando lave sus prendas. De lo contrario, use la información que se dio abajo como una guía general.

Artículo	Cuidado sugerido
Almohadas	<p>Cosa cualquier agujero o costura floja por donde las plumas o el relleno puedan salir. Seque una almohada cada vez, colocando la secadora en el máximo tiempo de secado. Detenga la secadora ocasionalmente y sacuda la almohada, redistribuyendo el relleno para que se seque de manera uniforme. Revise la almohada al final del tiempo de secado. Si no está completamente seca, vuelva a programar la secadora para más tiempo de secado.</p> <p>Utilice un calor bajo.</p> <p>PRECAUCION: No seque las almohadas conteniendo goma.</p>
Cobertores	<p>Coloque de 2 a 4 toallas secas y un cobertor en la secadora y coloque el control de tiempo en 20 a 25 minutos. Seque sólo un cobertor a la vez. No ponga el control en más de 25 minutos. Al final del ciclo déle al cobertor forma hasta que recupere la original. Permita que el cobertor se seque perfectamente antes de guardarlo.</p>
Algodón	Utilice un secado con calor medio.
Sintéticos	Utilice un secado con calor bajo.
De plumón	Utilice un secado con calor bajo.
Artículos extra grandes (Se incluyen colchas, cobertores o protectores para colchones.)	<p>Utilice un secado con calor bajo.</p> <p>Programa la secadora para 20 minutos. Cuando el tiempo ha terminado, revise y redistribuya la carga. Vuelva a programar la lavadora para 15 minutos. Cuando el tiempo ha terminado, revise y redistribuya la carga. Vuelva a programar la lavadora para intervalos de 5 minutos. Revise cada 5 minutos para asegurarse de que los artículos no llenen el tambor de secado. Los artículos grandes y mojados tienen suficiente espacio, pero a medida que se secan y se esponjan, es posible que no tengan espacio suficiente para secarse.</p> <p>PRECAUCION: Los artículos que no tienen espacio suficiente para secarse pueden obstruir el flujo de aire y podría suceder que se quemaran. Lave los protectores para colchones por separado. Utilice un programa de secado con calor bajo.</p>



Preparación de las cargas

Clasificación

Como regla general, si las prendas se clasifican de manera correcta para el lavado, estarán bien clasificadas para el secado.

Clasificación por color

(Separe las telas de colores permanentes de las telas de colores no permanentes*)

- Blancos
- Colores claros
- Colores oscuros

Separe por tipo de tela

- Algodones y linos
- Algodones de planchado permanente y mezclas
- Telas sintéticas y Tejidos de poliéster
- Tejidos delicados

Separe las prendas que sueltan pelusa de aquellas que la recogen

- Prendas que producen pelusa: telas de toalla y felpilla
- Prendas que recogen pelusa: Terciopana y pana

Clasifique según el peso

- Artículos pesados
- Artículos ligeros

** Las telas de colores no permanentes pueden desteñirse. Clasifique por color individual.*

Consejos para preparar las cargas

- Evite secar cargas muy pequeñas.
- Clasifique las prendas según su peso de modo que no tenga que programar un ciclo adicional para uno o dos artículos pesados que tarden más en secarse.
- No añada hojas de suavizante para telas una vez que la carga esté tibia. Esto causará que haya manchas de suavizante para telas.
- No sobrecargue la secadora. Esto causará una operación ineficiente y arrugas innecesarias. Las prendas necesitan moverse con libertad en el tambor.
- No seque los siguientes artículos:
 - Artículos de fibra de vidrio
 - Lanas
 - Artículos con forro de hule
 - Plásticos
 - Artículos con adornos de plástico
 - Artículos conteniendo goma

Interior

El tambor de secado es resistente al óxido. Sin embargo las telas de color pierden su color o se destiñen quedando en la lavadora, pueden causar la decoloración del tambor de secado. Nosotros recomendamos que el cilindro de secado se limpie usando un trapo

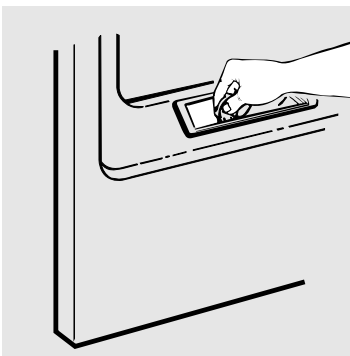
mojado con detergente y agua limpia o un abrasivo suave como Soft Scrub™. Enjuague bien. Luego seque dentro de la secadora con varios trapos o toallas viejas mojadas por 20 o 30 minutos antes de usar la secadora normalmente.

Exterior

Limpie cualquier derrame o cualquier compuesto para lavar. Limpie o sacuda con una tela mojada. Trate de no golpear la superficie con objetos afilados. El panel de control de la secadora y los acabados pueden dañarse con algunos productos de pretratamiento de suciedad y con productos removedores de manchas si dichos productos se rocían sobre la secadora o entran en contacto directo con la misma.

Aplique estos productos para pretratamiento lejos de la secadora. La tela puede entonces lavarse y secarse normalmente. El daño a su secadora que sea causado por productos de pretratamiento no está cubierto por su garantía.

Filtro para pelusa



Antes de usar su secadora, limpie el filtro para pelusa. Es más fácil quitar la pelusa cuando tiene los dedos humedecidos.

Para mantener su secadora funcionando en el más alto rendimiento, haga que un técnico aspire la pelusa de la máquina cada tres años.

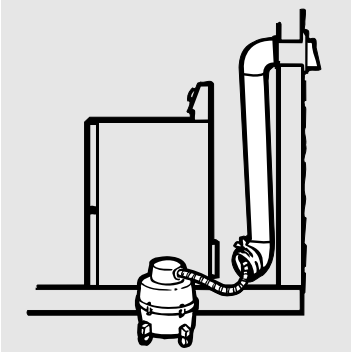
Almacenamiento

Para almacenar su secadora durante un período corto, desconecte el suministro de energía eléctrica y limpie el filtro para pelusa.



Cuidado y limpieza

Tubo de escape

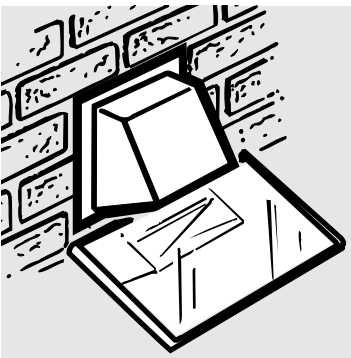


Inspeccione y limpie el tubo de escape de la secadora por lo menos una vez al año para evitar que se obstruya. Un tubo parcialmente tapado puede alargar el tiempo de secado.

Para limpiar el tubo de escape siga los pasos que se indican a continuación:

- 1** Apague el suministro de energía eléctrica desconectando el cable de la toma de corriente de la pared.
- 2** Desconecte el tubo de escape de la secadora.
- 3** Aspire el tubo de escape con la manguera del aspirador.
- 4** Conecte otra vez el tubo de escape a la secadora.

Campana de escape



Revise el interior de la campana de escape con un espejo para poder quitar la basura acumulada.

- Asegúrese de que las pestañas interiores de la campana de escape se muevan libremente (puede revisarlas con un espejo).
- Asegúrese de que las pestañas interiores estén completamente abiertas cuando la secadora se **encuentre en funcionamiento**.
- Cerciórese de que no haya vida silvestre (aves, insectos, etcétera) que estén anidando dentro del tubo o de la campana de escape.

Si algo falla

Antes de solicitar un servicio



Problema	Causas posibles	Qué hacer
La secadora no funciona	La secadora está desconectada	<ul style="list-style-type: none">• Asegúrese de que la clavija de la secadora esté bien conectada a la toma de corriente.
	El fusible está fundido/el interruptor del circuito está fallando	<ul style="list-style-type: none">• Revise la caja de fusibles de la casa/el interruptor de circuito y reemplace el fusible o vuelva a encender el interruptor. NOTA: La mayoría de las secadoras eléctricas usan dos interruptores de circuito.
La secadora no calienta	El fusible está fundido/el interruptor del circuito está fallando, la secadora se mueve pero no calienta	<ul style="list-style-type: none">• Revise la caja de fusibles de la casa/el interruptor de circuito y reemplace el fusible o vuelva a encender el interruptor.
	El servicio de gas está cerrado	<ul style="list-style-type: none">• Asegúrese de que la llave de paso en la secadora y la válvula de paso principal estén completamente abiertas.
La secadora se sacude o hace ruido excesivo	Un poco de sacudimiento/ruido es normal. La secadora puede no estar nivelada	<ul style="list-style-type: none">• Muévela a un suelo más uniforme o realice los ajustes necesarios hasta que esté nivelada.
Manchas grasosas en la ropa	Uso inadecuado del suavizante para telas	<ul style="list-style-type: none">• Siga las instrucciones del empaque de suavizante para telas.
	Secar artículos sucios con artículos limpios	<ul style="list-style-type: none">• Use su secadora para secar sólo artículos que estén limpios. Los artículos sucios pueden manchar a los limpios y a la secadora.
	Ropa no estuvo completamente limpia	<ul style="list-style-type: none">• Algunas manchas que no se pueden ver cuando la ropa está húmeda aparecen después de secar. Use procedimientos correctos antes de secar.



Si algo falla

Problema	Causas posibles	Qué hacer
Pelusa en la ropa	El filtro para pelusa está lleno	<ul style="list-style-type: none">• Limpie la pantalla para pelusa antes de cada carga de secado.
	Clasificación incorrecta	<ul style="list-style-type: none">• Clasifique y separe las telas que producen pelusa (como la felpilla) de las que la recogen (como la pana).
	La electricidad estática puede atraer pelusa	<ul style="list-style-type: none">• Vea las sugerencias en esta sección bajo el título ESTÁTICA.
	Sobrecarga	<ul style="list-style-type: none">• Separe las cargas muy grandes en cargas más pequeñas.
	Papel, pañuelos desechables, etc. que se quedaron en los bolsillos	<ul style="list-style-type: none">• Vacíe todos los bolsillos antes de lavar y secar la ropa.
Se presenta estática	Exceso de secado	<ul style="list-style-type: none">• Pruebe usar un suavizante para telas.• Ajuste los controles para secar menos.
	No se utilizó ningún suavizante para telas	<ul style="list-style-type: none">• Pruebe usar un suavizante para telas.
	Las telas sintéticas, las de planchado permanente y las mezclas pueden causar estática	<ul style="list-style-type: none">• Pruebe usar un suavizante para telas.
La ropa está arrugada	Exceso de secado	<ul style="list-style-type: none">• Elija un tiempo de secado más breve.• Saque los artículos mientras aún conservan un poco de humedad.
	Ha dejado que los artículos permanezcan en la secadora cuando el ciclo ya terminó	<ul style="list-style-type: none">• Saque los artículos cuando termine el ciclo y dóblelos o cuélguelos de inmediato.



Problema

Causas posibles

Qué hacer

La ropa tarda mucho en secarse

Clasificación incorrecta

- Separe los artículos pesados de los ligeros, (por lo general, una carga para lavadora que esté bien clasificada dará como resultado una carga para secadora bien clasificada).

Cargas grandes de artículos pesados (como toallas de playa)

- Las cargas grandes y pesadas contienen más humedad y tardan más en secarse. Separe los artículos grandes y pesados en cargas más pequeñas para acelerar el tiempo de secado.

Los controles no están bien programados

- Haga que los controles estén programados de acuerdo con la carga que esté secando.

El filtro para pelusa está lleno

- Revise el filtro para pelusa antes de cada carga.

La tubería es inadecuada o está tapada

- Revise las instrucciones de instalación para tuberías y ventilación correctas.
- Asegúrese de que los ductos estén limpios, que no estén enroscados y que no estén obstruidos.
- Revise que la ventilación hacia el exterior esté funcionando de manera correcta.
- Vea la sección Ventilación de la secadora.

Fusibles fundidos o interruptor del circuito que está fallando

- Reemplace los fusibles o vuelva a encender los interruptores de circuito. Ya que la mayoría de las secadoras usan dos fusibles o interruptores, cerciórese de que ambos estén funcionando.

Sobrecarga/combinación de cargas

- Seque sólo una carga de lavadora en la secadora a la vez.

Cargas muy pequeñas

- Si está secando sólo uno o dos artículos, añada algunos más para asegurar que el secado sea correcto.

Las prendas encogen

Algunas telas encogerán en forma natural cuando se lavan. Otras pueden lavarse sin riesgo, pero encogerán en la secadora

- Para evitar que la ropa encoja, siga con precisión las instrucciones de cuidado de las prendas.
- Algunos artículos pueden recuperar la forma después de secarse.
- Si cree que un artículo en particular puede encoger, no lo lave en lavadora ni lo seque en secadora.

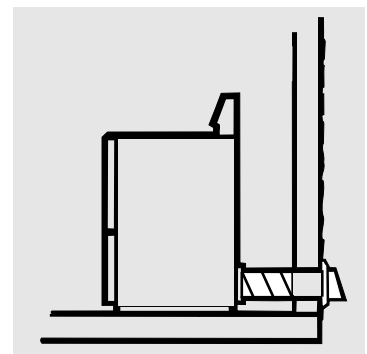
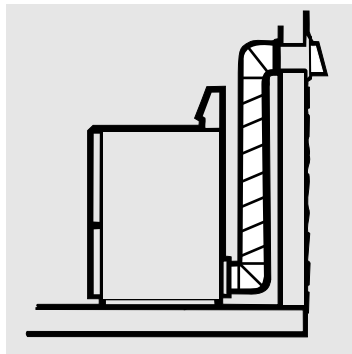


Ventilación de la secadora

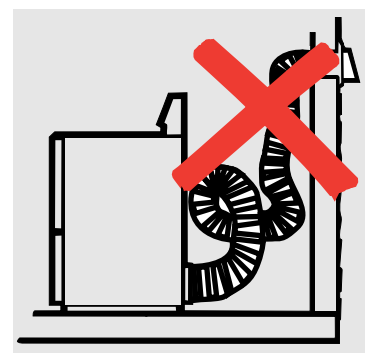
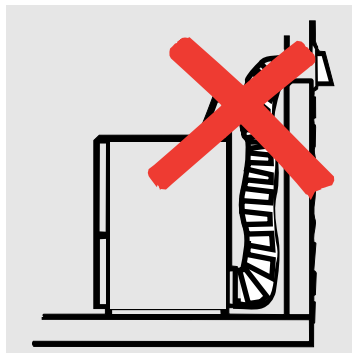
Para el mejor funcionamiento de la secadora, se necesita ventilar correctamente la secadora. **Siga con mucho cuidado los detalles del Tubo de escape en las Instrucciones de instalación.**

- Use sólo un tubo de escape de metal rígido o flexible de 4" de diámetro dentro del gabinete de la secadora para una ventilación hacia el exterior.
- No use un tubo de escape de plástico u otro tubo de escape combustible.
- Use un largo de tubo lo más corto que sea posible.
- No aplaste o no doble.
- Evite dejar el tubo de escape sobre objetos afilados.
- **La ventilación debe ajustarse a las normas vigentes en materia de construcción.**

Ventilación correcta



Ventilación incorrecta



Números de servicio de GE



Estaremos Con Usted

GE Answer Center®

**En los Estados Unidos:
800.626.2000**

Cualquiera que sea su pregunta sobre alguno de los grandes aparatos de GE, el servicio de información de GE Answer Center® estará dispuesto a ayudar **en los Estados Unidos**. Usted llama y su pregunta será contestada inmediatamente y con cortesía. Y usted puede llamar a cualquier hora. El servicio de GE Answer Center® está abierto 7 días a la semana las 24 horas del día.

Servicio de reparación en su hogar

**En los Estados Unidos:
800-GE-CARES
(800-432-2737)**

Un especialista del servicio al consumidor de GE le proporcionará el servicio especializado de reparación, programado a la hora más conveniente para usted. Muchos centros de servicio al consumidor de GE operados por la compañía le ofrecen servicio hoy o mañana o cuando a usted le convenga (7:00 am a 7:00 pm en días laborables y 9:00 am a 2:00 pm los sábados).

Nuestros técnicos capacitados por la fábrica conocen su aparato por fuera y por dentro—así, la mayoría de las reparaciones se hacen en sólo una visita.

Para clientes con necesidades especiales

**En los Estados Unidos:
800.626.2000**

Si se solicita, GE puede proporcionar controles Braille para numerosos aparatos, así como un folleto de ayuda en la planeación de una cocina sin barreras para personas limitadas en su movilidad. Para adquirir estos artículos **en los Estados Unidos**, llamar sin costo al teléfono 800.626.2000.

Los consumidores con impedimentos de oído o de habla que tienen acceso a TDD o a algún teletipo convencional, llamar **en los Estados Unidos** al 800-TDD-GEAC (800-833-4322) para solicitar información o servicio.



Contratos de servicio

**En los Estados Unidos:
800-626-2224**

Usted puede estar seguro de que el GE Consumer Service estará allí aún después de que expire su garantía. Compre usted un contrato de servicio de GE mientras que esté vigente su garantía y recibirá un descuento considerable. Con un contrato por varios años, usted asegura el servicio futuro a los precios de hoy.

Partes y accesorios

**En los Estados Unidos:
800-626-2002**

Las personas calificadas para dar servicio a sus propios aparatos pueden solicitar las partes y accesorios que se les enviarán directamente a sus hogares. El sistema de partes de GE tiene acceso a más de 47000 partes, y todo los repuestos originales de GE cuentan con plena garantía. Se aceptan tarjetas VISA, Mastercard y Discover.

Las instrucciones de mantenimiento y cuidado que contiene este manual cubren procedimientos que puede realizar cualquier usuario. Otro tipo de servicios los deberá ejecutar exclusivamente personal calificado. Es necesario tener precaución, ya que el mantenimiento inadecuado puede ser causa de peligros en la operación.

Si se necesita servicio

Estamos orgullosos de nuestro servicio y deseamos que usted quede satisfecho. Si por alguna razón usted no quedara satisfecho con el servicio recibido, por favor siga los pasos siguientes:

En los Estados Unidos:

Primero contacte a las personas que le dieron servicio a su aparato. Explíqueles por qué no quedó satisfecho. En la mayoría de los casos, ellos le resolverán su problema.

A continuación, si usted siguiera insatisfecho con el servicio, escriba todos los detalles (incluyendo su número telefónico) a:

Manager, Consumer Relations
GE Appliances
Appliance Park
Louisville, KY 40225

Finalmente, si aún siguiera sin resolver el problema, escribir a:

Major Appliance Consumer
Action Program
20 North Wacker Drive
Chicago, IL 60606

GARANTIA DE LA SECADORA

Engrape la factura de compra o el cheque cancelado aquí. Se requiere prueba de la fecha de la compra original para obtener el servicio cubierto bajo la garantía.

Esta garantía se aplica sólo en los Estados Unidos. La Garantía puede variar en Canadá. Vea a su distribuidor de Profile para los detalles.

Qué está cubierto

GARANTIA COMPLETA DE UN AÑO

Durante un año a partir de la fecha de compra original le proporcionaremos, sin costo alguno, partes y mano de obra de servicio en su domicilio para reparar o reemplazar *cualquiera parte de la secadora* que falle debido a un defecto de fabricación.

GARANTIA ADICIONAL LIMITADA DE CUATRO AÑOS

Desde el segundo hasta el quinto año a partir de la fecha de compra original le proporcionaremos, sin costo alguno, un tambor más grande o de más capacidad por el que falle debido a un defecto de fabricación. Usted pagará el costo de los viáticos para hacer el servicio en su domicilio y los costos de mano de obra del servicio.

Esta garantía se extiende al comprador original y a cualquier propietario que lo suceda para el caso de productos comprados para uso doméstico normal en los 48 estados del continente, Hawai y Washington, D.C. En Alaska la garantía es la misma excepto que está LIMITADA ya que usted tendrá que pagar el flete del producto hasta el taller de servicio o los costos de viaje del técnico de servicio hasta su hogar.

Todos los servicios cubiertos por la garantía los proporcionarán nuestros Centros de servicio de fábrica o nuestros Prestadores de servicio autorizados (Customer Care[®]) durante las horas normales de trabajo.

Si su aparato requiere un servicio, durante el período de garantía o después de haber terminado éste, llame a 800-GE-CARES (800-432-2737).

Qué no está cubierto

- Viajes de servicio a su hogar para enseñarle cómo usar el producto.

Lea el Manual del propietario. Si después de hacerlo tiene preguntas sobre cómo operar el producto, por favor póngase en contacto con su distribuidor o con nuestra Oficina de asuntos al consumidor en la dirección que aparece más abajo, o llame sin costo alguno:

servicio de información al consumidor
GE Answer Center[®]
800.626.2000

- Instalación incorrecta.

Si tiene cualquier problema de instalación,

llame a su distribuidor o a su instalador. Usted es responsable de proporcionar instalaciones correctas de electricidad, ductos de salida y otras conexiones.

- Reemplazo de fusibles o reencendido de interruptores de circuito.
- Fallas en el producto si éste se usa mal o si se usa para otros fines distintos a los fines para los que fue diseñado, o si se usa comercialmente.
- Daños al producto causados por accidentes, incendio, inundaciones o actos de Dios.

EL GARANTE NO ES RESPONSABLE DE DAÑOS CONSECUENCIALES.

Algunos estados no permiten la exclusión o limitación de daños incidentales o consecuentes, de modo que al anterior limitación o exclusión puede no aplicarse a usted. Esta garantía le proporciona derechos legales específicos, y puede tener otros derechos que pueden variar de un estado a otro. Para conocer los derechos legales en su estado, consulte con su oficina local o estatal de asuntos del consumidor o al Procurador General de su estado.

El garante: General Electric Company

**Si requiere más ayuda respecto a esta garantía, escriba a:
Manager—Consumer Affairs, GE Appliances, Louisville, KY 40225**



DRYER WARRANTY

*Staple sales slip or cancelled check here.
Proof of original purchase date is needed
to obtain service under warranty.*

This warranty is valid only in the United States. Warranty may vary in Canada. See your approved Profile dealer for details.

What Is Covered

FULL ONE-YEAR WARRANTY

For one year from date of original purchase, we will provide, free of charge, parts and service labor in your home to repair or replace *any part of the dryer* that fails because of a manufacturing defect.

LIMITED ADDITIONAL FOUR-YEAR WARRANTY

From the second through fifth year from date of original purchase, we will replace, free of charge, an extra large or super capacity dryer drum that fails because of a manufacturing defect. You pay for the service trip to your home and service labor charges.

This warranty is extended to the original purchaser and any succeeding owner for products purchased for ordinary home use in the 48 mainland states, Hawaii and Washington, D.C. In Alaska the warranty is the same except that it is LIMITED because you must pay to ship the product to the service shop or for the service technician's travel costs to your home.

All warranty service will be provided by our Factory Service Centers or by our authorized Customer Care[®] servicers during normal working hours.

Should your appliance need service, during warranty period or beyond, call 800-GE-CARES (800-432-2737).

What Is Not Covered

- Service trips to your home to teach you how to use the product.

Read your Owner's Manual. If you then have any questions about operating the product, please contact your dealer or our Consumer Affairs office at the address below, or call, toll free:

GE Answer Center[®]
800.626.2000
consumer information service

- Improper installation.

If you have an installation problem, contact your dealer or installer. You are responsible for providing adequate electrical, exhausting and other connecting facilities.

- Replacement of house fuses or resetting of circuit breakers.
- Failure of the product if it is misused, or used for other than the intended purpose or used commercially.
- Damage to product caused by accident, fire, floods or acts of God.

WARRANTOR IS NOT RESPONSIBLE FOR CONSEQUENTIAL DAMAGES.

Some states do not allow the exclusion or limitation of incidental or consequential damages, so the above limitation or exclusion may not apply to you. This warranty gives you specific legal rights, and you may also have other rights which vary from state to state. To know what your legal rights are in your state, consult your local or state consumer affairs office or your state's Attorney General.

Warrantor: General Electric Company If further help is needed concerning this warranty, write:
Manager—Consumer Affairs, GE Appliances, Louisville, KY 40225

500A277P015

Part No. 175D1807P224
Pub. No. 49-9953

6-97 CG

Printed in Canada

DNSR473
DPSR473