

DDC4400T

GE® 5.4 Cu. Ft. Large Capacity Modular Commercial Electric Dryer

Dimensions and Installation Information (in inches)

Exhaust Options: Shipped with exhaust to the rear.

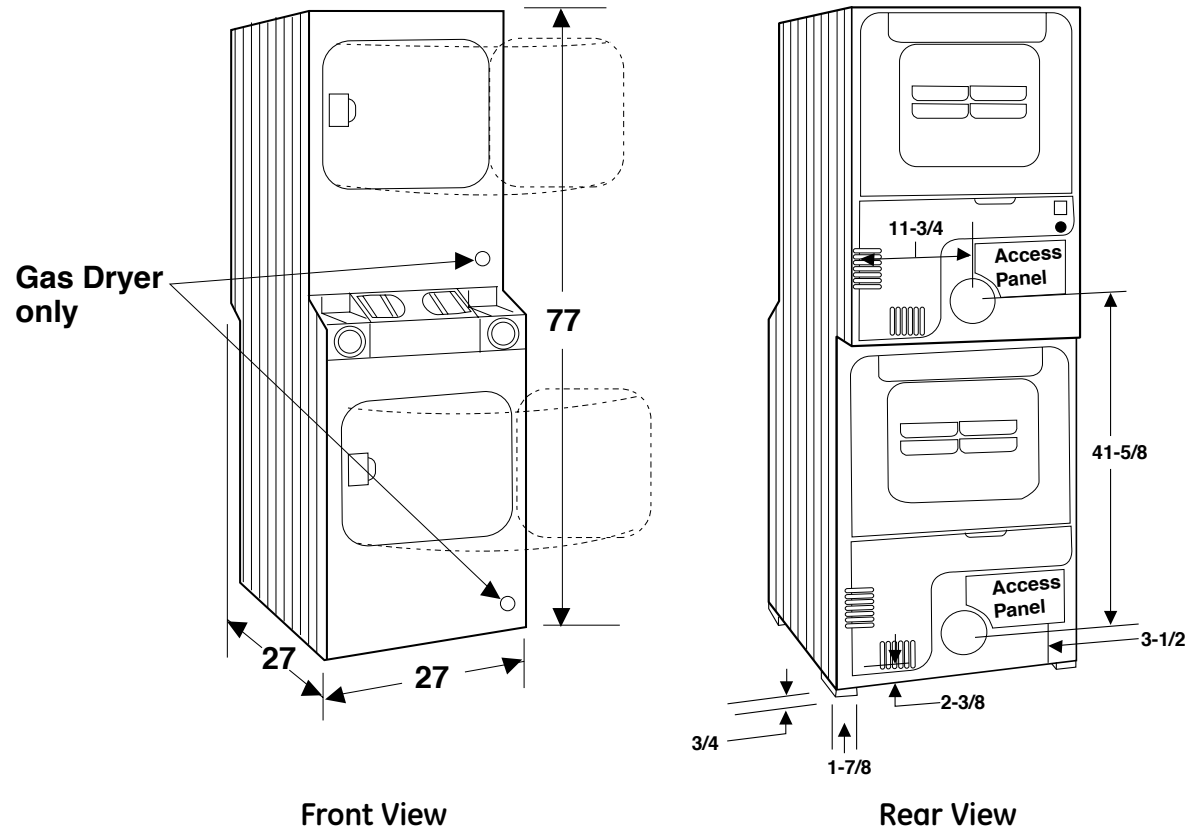
Electric model offers 3-way venting: left, right, or rear.

Maximum recommended exhaust duct length is 25 feet of 4" rigid ducting with two 90° elbows and 4" dampered wall cap.

Requirements:

Electric – 120/240 Volts, 60 Hertz, 120/208* Volts, 60 Hertz, 5600 Watts at 240 Volts, 4400 Watts at 208 Volts. An individual branch circuit fused for 30-amps is required for each dryer.

*A special 208 Volt heater, part number WE11X0101 is available to reduce drying time in 208 Volt installations.



Front View

Rear View

Note: Dimensions and specifications shown here are correct at the time this sheet was printed. Before proceeding with construction or rough-in, check installation instructions that came with your unit. Specifications, dimensions and design are subject to change without notice.

Note: Wall anchor chain provided for gas models only.

For answers to your Monogram®, GE Profile™ or GE® appliance questions, visit our website at ge.com or call GE Answer Center® service, 800.626.2000.



imagination at work



Listed by
Underwriters
Laboratories

DDC4400T

GE® 5.4 Cu. Ft. Large Capacity Modular Commercial Electric Dryer

Dimensions and Installation Information (in inches)

For complete information, see installation instructions packed with your dryer.

Important Note:

GE Kit Number WE14X70 needed when converting rear exhaust to bottom or side. (On large capacity models.)

Ducting Materials:

For best performance, this dryer should be vented with 4" diameter all rigid metal exhaust duct. If rigid metal duct cannot be used, then UL-listed flexible metal (semi-rigid) ducting can be used (Kit WX08X10077). In special installations, it may be necessary to connect the dryer to the house vent using a flexible metal (foil-type) duct. A UL-listed flexible metal (foil-type) duct may be used ONLY in installations where rigid metal or flexible metal (semi-rigid) ducting cannot be used AND where a 4" diameter can be maintained throughout the entire length of the transition duct. Please see installation instruction packed with your dryer for complete instructions when using flexible metal (foil type) ducting.

Exhaust Length Calculation

- Determine the number of 90° turns needed for your installation. If you exhaust to the side or bottom of dryer, add one turn.
- The maximum length of 4" rigid (aluminum or galvanized) duct which can be tolerated is shown in the table.

A turn of 45° or less may be ignored. Two 45° turns within the duct length should be treated as a 90° elbow. A turn over 45° should be treated as a 90° elbow.

Dryers **must** be exhausted to the outside.

Caution: For personal safety do not terminate exhaust into a chimney, under any enclosed house floor (crawl space), or into an attic, since the accumulated lint could create a fire hazard or moisture could cause damage. Never terminate the exhaust into a common duct or plenum with a kitchen exhaust, since the combination of lint and grease could create a fire hazard.

Exhaust ducts should be terminated in a dampered wall cap to prevent back drafts, bird nesting, etc. The wall cap must also be located at least 12" above the ground or any other obstruction with the opening pointed down.

For answers to your Monogram®, GE Profile™ or GE® appliance questions, visit our website at ge.com or call GE Answer Center® service, 800.626.2000.



Special Installation Requirements

Alcove or Closet Installation:

- If your dryer is approved for installation in an alcove or closet, it will be stated on a label on the dryer back.
- The dryer **MUST** be exhausted to the outside.
- Minimum clearances between dryer cabinet and adjacent walls or other surfaces are:
 - 0" either side
 - 3" front and rear
- Minimum vertical space from floor to overhead cabinets, ceilings, etc. is 52".
- Closet doors must be louvered or otherwise ventilated and must contain a minimum of 60 sq. in. of open area equally distributed.
 - If this closet contains both a washer and a dryer, doors must contain a minimum of 120 sq. in. of open area equally distributed.
- The closet should be vented to the outdoors to prevent gas pocketing in case of a gas leak in the supply line.
- No other fuel-burning appliance shall be installed in the same closet with the dryer.

Bathroom or Bedroom Installation:

- The dryer **MUST** be exhausted to the outdoors.
- The installation must conform with the local codes, or in the absence of local codes, with the National Electric Code and National Fuel Gas Code, ANSI Z223 for gas dryers.

Minimum Clearances other than Alcove or Closet Installation:

- Minimum clearances to combustible surfaces
 - 0" both sides
 - 3" rear

Dryer Exhausting Information – Use Metal Duct Only

Domestic dryer models	Number of 90° turns	Best performance	
		Maximum length of 4" dia. rigid metal duct	
		Exhaust hood type	
		A 4" opening	B 2-1/2" opening
57 cu. ft., capacity electric and gas dryers	0	60 ft.	48 ft.
	1	52 ft.	40 ft.
	2	44 ft.	32 ft.
	3	32 ft.	24 ft.
54 cu. ft., capacity electric and gas dryers	0	45 ft.	30 ft.
	1	35 ft.	20 ft.
	2	25 ft.	10 ft.
	4	28 ft.	16 ft.



DDC4400T

GE® 5.4 Cu. Ft. Large Capacity Modular Commercial Electric Dryer

Dimensions and Installation Information (in inches)

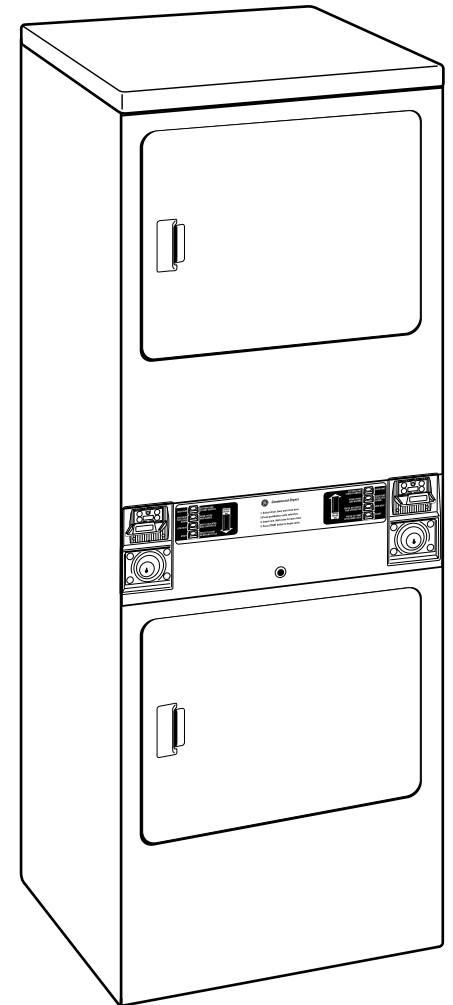
Features and Benefits

- Large Capacity (5.4 Cu. Ft.)
- Commercial Modular Two-Unit Dryer System
- Automatic Dry Control
- Up-Front Lint Filter
- 3 Cycles: Cottons, Permanent Press, Delicates/Synthetic/Knits
- 3 Heat Selections
- Porcelain Drum Interior
- Front Serviceable
- Extra-Large Door Opening
- Reversible Door
- Model DDC4400TWH – White (Electric)

For answers to your Monogram,® GE Profile™ or GE® appliance questions, visit our website at ge.com or call GE Answer Center® service, 800.626.2000.



imagination at work



Listed by
Underwriters
Laboratories