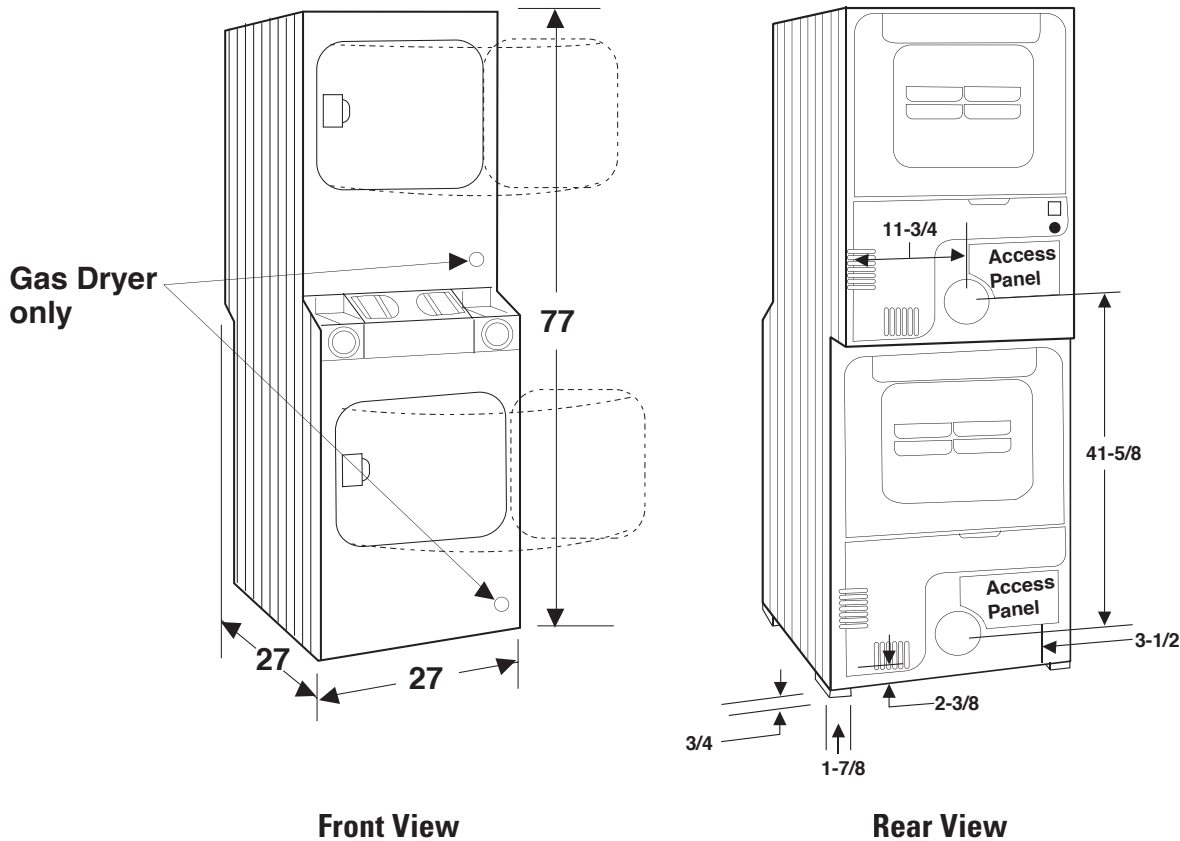




GE Appliances

## DDC4500SWH – GE 5.4 Cu. Ft. Large Capacity Modular Commercial Gas Dryer

### Dryer Dimensions (in inches)



**Exhaust Options:** Shipped with exhaust to the rear.

**Gas model** offers 2-way venting: left, right, or rear. Maximum recommended exhaust duct length is 15 feet of 4" rigid ducting with two 90° elbows and 4" a dampered wall cap. (See Installation Instructions.)

### Requirements:

**Gas** – 115 Volts, 60 Hertz single phase. An individual branch circuit, properly grounded for a 3-prong outlet, fused for 15- or 20-amp is required for each dryer. Gas rate input, 22000 BTU/Hr. Maintains the thermostatically controlled heat flow to dry clothes gently. Longer cool down period on Permanent Press cycle helps prevent heat-set wrinkles. Separate thermostat controls lower temperatures for Knit cycle drying. Factory equipped for natural gas. Tested for LP gas. A conversion kit is required for LP gas. Check installation instructions for correct kit number. Have a qualified technician install the conversion kit. Equipped with energy saving Glo-Bar ignition.

**Note:** Dimensions and specifications shown here are correct at the time this sheet was printed. Before proceeding with construction or rough-in, check installation instructions that came with your unit. Specifications, dimensions and design are subject to change without notice.

**Note:** Wall anchor chain provided for gas models only.

**Specification Revised 8/04**

370342



For answers to your Monogram®, GE Profile™ or GE® appliance questions, visit our website at [GEAppliances.com](http://GEAppliances.com) or call GE Answer Center® service, 800.626.2000.



## GE Appliances

# DDC4500SWH – GE 5.4 Cu. Ft. Large Capacity Modular Commercial Gas Dryer

## Dryer Exhausting Information – Use Metal Duct Only

Domestic Dryer Models	Number of 90° Turns	Best Performance		Maximum Length of 4" Dia. Flexible Metal Duct	
		Maximum Length of 4" Dia. Rigid Metal Duct		Exhaust Hood Type	
		Cat. No. WX8X59 (Preferred)	B 2-1/2" Opening	Cat. No. WX8X58 (Preferred)	B 2-1/2" Opening
Spacemaker® Models DSKS433EW WSM2780T	0	46 ft.	37 ft.	30 ft.	24 ft.
	1	38 ft.	30 ft.	25 ft.	20 ft.
	2	31 ft.	22 ft.	20 ft.	14 ft.
Spacemaker® Model DSKP233EW	0	43 ft.	36 ft.	30 ft.	24 ft.
	1	33 ft.	26 ft.	24 ft.	18 ft.
	3	23 ft.	16 ft.	16 ft.	10 ft.
Spacemaker® Model WSM2700T	0	56 ft.	42 ft.	30 ft.	22 ft.
	1	46 ft.	36 ft.	22 ft.	14 ft.
	2	34 ft.	28 ft.	16 ft.	10 ft.
Spacemaker® Models WSM2420T WSM2480T	0	43 ft.	36 ft.	30 ft.	24 ft.
	1	33 ft.	26 ft.	24 ft.	18 ft.
	2	23 ft.	16 ft.	16 ft.	10 ft.

### Special Installation Requirements

#### Alcove or Closet Installation:

- If your dryer is approved for installation in an alcove or closet, it will be stated on a label on the dryer back.
- The dryer **MUST** be exhausted to the outside.
- Minimum clearances between dryer cabinet and adjacent walls or other surfaces are:
  - 0" either side
  - 3" front and rear
- Minimum vertical space from floor to overhead cabinets, ceilings, etc. is 52"
- Closet doors must be louvered or otherwise ventilated and must contain a minimum of 60 sq. in. of open area equally distributed.
  - If this closet contains both a washer and a dryer, doors must contain a minimum of 120 sq. in. of open area equally distributed.
- The closet should be vented to the outdoors to prevent gas pocketing in case of a gas leak in the supply line.
- No other fuel-burning appliance shall be installed in the same closet with the dryer.

#### Bathroom or Bedroom Installation:

- The dryer **MUST** be exhausted to the outdoors.
- The installation must conform with the local codes, or in the absence of local codes, with the National Fuel Gas Code, ANSI Z223.

#### Minimum Clearances other than Alcove or Closet Installation:

- Minimum clearances to combustible surfaces
  - 0" both sides
  - 3" rear

### Specification Revised 8/04

370342

For complete information, see installation instructions packed with your dryer.

#### Important Note:

GE Kit Number WE14X70 needed when converting rear exhaust to bottom or side. (On large capacity models.)

#### Ducting Materials:

For best performance, this dryer should be vented with 4" diameter all rigid metal exhaust duct. If "all rigid metal" duct cannot be used, then "flexible all metal" venting can be used, but it will reduce the maximum recommended duct length.

#### Exhaust Length Calculation

1. Determine the number of 90° turns needed for your installation. If you exhaust to the side or bottom of dryer, add one turn.
2. The maximum length of 4' rigid (aluminum or galvanized) duct which can be tolerated is shown in the table. The maximum length for flexible ducts are less than for rigid duct.

A turn of 45° or less may be ignored. Two 45° turns within the duct length should be treated as a 90° elbow. A turn over 45° should be treated as a 90° elbow.

**Exhausting the dryer to the outside is strongly recommended** to prevent large amounts of moisture and lint from being blown into the room. Gas dryers or any dryer located in a closet **must** be exhausted to the outside.

**Caution:** For personal safety do not terminate exhaust into a chimney, under any enclosed house floor (crawl space), or into an attic, since the accumulated lint could create a fire hazard or moisture could cause damage. Never terminate the exhaust into a common duct or plenum with a kitchen exhaust, since the combination of lint and grease could create a fire hazard.

Exhaust ducts should be terminated in a dampered wall cap to prevent back drafts, bird nesting, etc. The wall cap must also be located at least 12" above the ground or any other obstruction with the opening pointed Down.

Other terminations, such as louvered wall boxes, are acceptable provided they are equivalent to a 4" opening dampered wall cap.

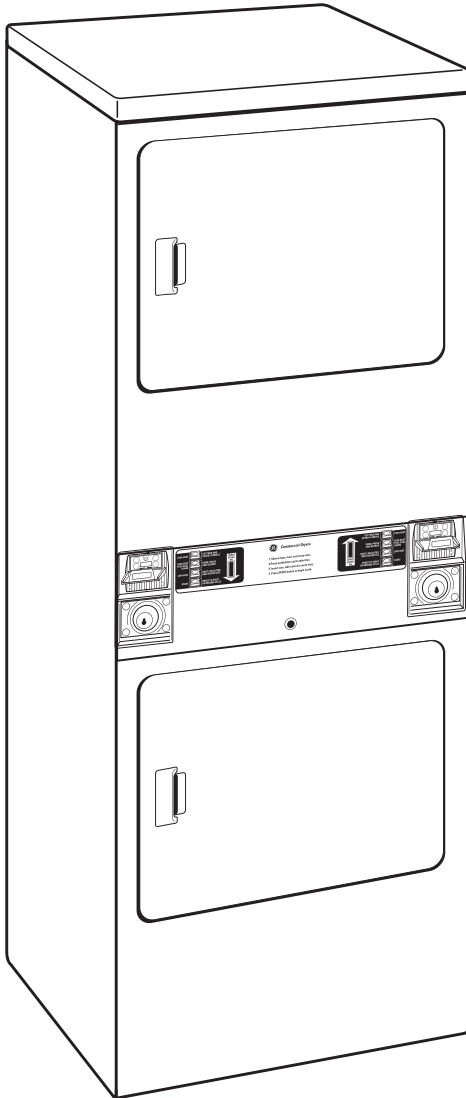


For answers to your Monogram®, GE Profile™ or GE® appliance questions, visit our website at [GEAppliances.com](http://GEAppliances.com) or call GE Answer Center® service, 800.626.2000.



**GE Appliances**

## **DDC4500SWH – GE 5.4 Cu. Ft. Large Capacity Modular Commercial Gas Dryer**



### **Features and Benefits**

- Large Capacity (5.4 Cu. Ft.)
- Commercial Modular Two-Unit Dryer System
- Automatic Dry Control
- Up-Front Lint Filter
- 3 Cycles: Cottons, Permanent Press, Delicates/Synthetic/Knits
- 3 Heat Selections
- Porcelain Drum Interior
- Front Serviceable
- Extra-Large Door Opening
- Reversible Door
- Model DDC4400SWH – White (Electric)
- Model DDC4400SAD – Almond (Electric)
- Model DDC4500SWH – White (Gas)
- Model DDC4500SAD – Almond (Gas)

**Specification Revised 8/04**

370342