

# DCVH680GJ

## GE® 7.0 Cu. Ft. Super Capacity Frontload Gas Dryer

### Dimensions and Installation Information (in inches)

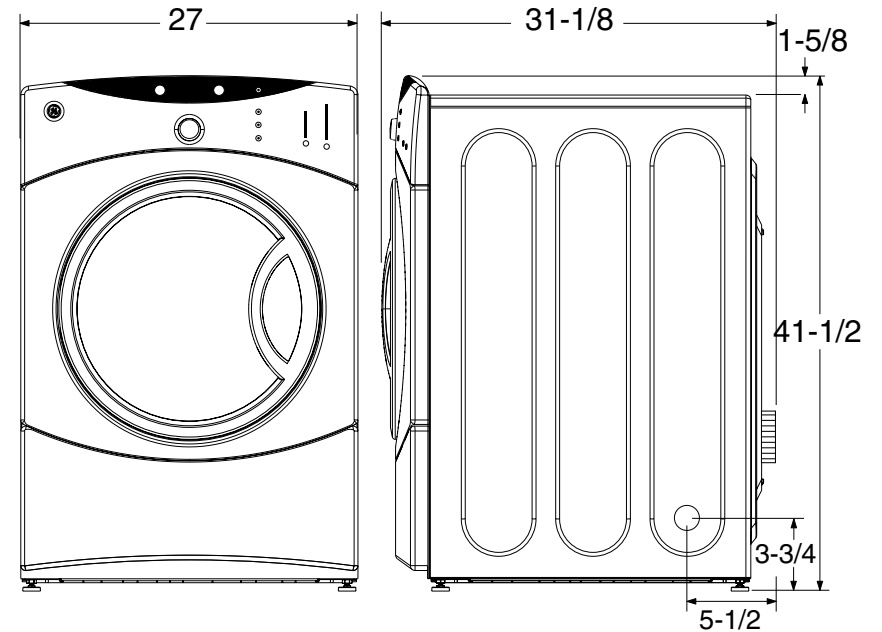
Gas Dryer Rating	
120V	60Hz, 6A

**Exhaust Options:** 3-way via rear, left, and bottom.

**Circuit Requirements:** An individual, properly grounded branch circuit, protected by a 15-20 amp circuit breaker or a time-delay fuse, is required.

**Note:** Dryer wall outlet must be located within 36" of service cord entry and accessible when dryer is mounted in position.

**Installation Information:** For complete information, see installation instructions packed with your dryer.



For answers to your Monogram®, GE Profile™ or GE® appliance questions, visit our website at [ge.com](http://ge.com) or call GE Answer Center® service, 800.626.2000.



# DCVH680GJ

## GE® 7.0 Cu. Ft. Super Capacity Frontload Gas Dryer

### Special Installation Requirements:

#### Stacked Installation:

- Brackets for stacking dryer over washer are not included with the dryer. Order part no. WE25X10018.

#### Alcove or Closet Installation:

- If your dryer is approved for installation in an alcove or closet, it will be stated on a label on the dryer back.
- The dryer MUST be exhausted to the outside.
- Minimum clearances between dryer cabinet and adjacent walls or other surfaces are: 0" either side, 3" front and rear
- Minimum vertical space from floor to overhead cabinets, ceilings, etc. is 52".
- Closet doors must be louvered or otherwise ventilated and must contain a minimum of 60 sq. in. of open area equally distributed. If this closet contains both a washer and a dryer, doors must contain a minimum of 120 sq. in. of open area equally distributed.
- No other fuel-burning appliance shall be installed in the same closet with a gas dryer.

#### Bathroom or Bedroom Installation:

- The dryer MUST be exhausted to the outdoors.
- The installation must conform with the local codes, or in the absence of local codes, with the National Electric Code and National Fuel Gas Code, ANSI Z223 for gas dryers.

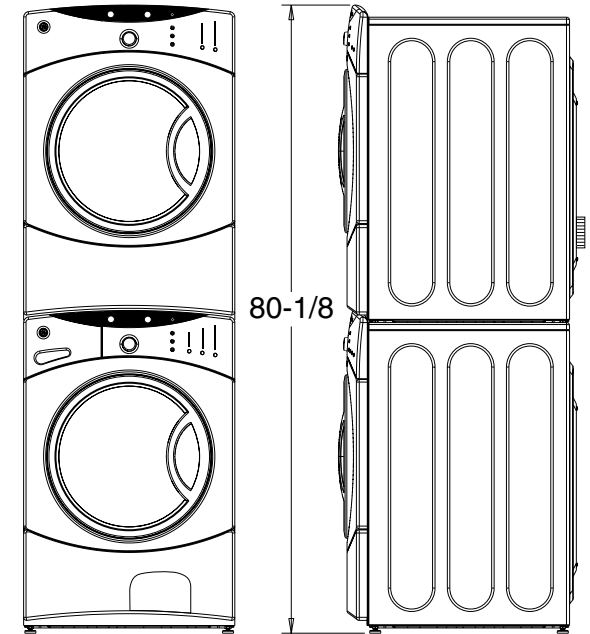
#### Minimum Clearance other than Alcove or Closet Installations:

- Minimum clearances to combustible surfaces 0" both sides, 3" rear.

**For more information on venting kits and accessories, please call 1-800-GE-CARES.**

For answers to your Monogram,® GE Profile™ or GE® appliance questions, visit our website at [ge.com](http://ge.com) or call GE Answer Center® service, 800.626.2000.

Stacked Dimensions (in inches)



imagination at work



# DCVH680GJ

## GE® 7.0 Cu. Ft. Super Capacity Frontload Gas Dryer

### Dryer Exhausting Information – Metal Duct Only

For complete information, see installation instructions packed with your dryer.

**Ducting Materials:** For best performance, this dryer should be vented with 4" diameter all rigid metal exhaust duct. If rigid metal duct cannot be used, then UL-listed flexible metal (semi-rigid) ducting can be used (Kit WX08X10077). In special installations, it may be necessary to connect the dryer to the house vent using a flexible metal (foil-type) duct. A UL-listed flexible metal (foil-type) duct may be used **ONLY** in installations where rigid metal or flexible metal (semi-rigid) ducting cannot be used **AND** where a 4" diameter can be maintained throughout the entire length of the transition duct. Please see installation instruction packed with your dryer for complete instructions when using flexible metal (foil type) ducting.

#### Exhaust Length Calculation:

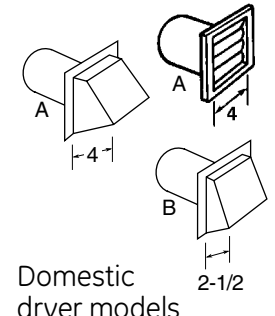
1. Determine the number of 90° turns needed for your installation. If you exhaust to the side or bottom of dryer, add one turn.
2. The maximum length of 4' rigid (aluminum or galvanized) duct which can be tolerated is shown in the table.
  - A turn of 45° or less may be ignored. Two 45° turns within the duct length should be treated as a 90° elbow.
  - A turn over 45° should be treated as a 90° elbow.

Dryers **must** be exhausted to the outside.

**Caution:** For personal safety do not terminate exhaust into a chimney, under any enclosed house floor (crawl space), or into an attic, since the accumulated lint could create a fire hazard or moisture could cause damage. Never terminate the exhaust into a common duct or plenum with a kitchen exhaust, since the combination of lint and grease could create a fire hazard.

Exhaust ducts should be terminated in a dampered wall cap to prevent back drafts, bird nesting, etc. The wall cap must also be located at least 12" above the ground or any other obstruction with the opening pointed down.

For more information on venting kits and accessories, please call 1-800-GE-CARES.



		Best performance	
		Maximum length of 4" dia. rigid metal duct	
		Exhaust hood type	
Domestic dryer models	Number of 90° turns	A 4" opening	B 2-1/2" opening
	0	90 ft.	60 ft.
7.0, 6.0 and 5.8 cu. ft. capacity models	1	60 ft.	45 ft.
all gas dryers	2	45 ft.	35 ft.
	3	35 ft.	25 ft.



imagination at work



# DCVH680GJ

## GE® 7.0 Cu. Ft. Super Capacity Frontload Gas Dryer

### Features and Benefits

- 7.0 Cu. Ft. Super Capacity - Handles large-size items and family-size loads
- Sensor Dry Plus™ - Continually monitors moisture levels to help clothes look better longer
- Rotary Electronic Controls with Cycle Countdown Display and LED Indicators - Simplify the cycle selection and provide accurate cycle times
- Interior Dryer Light - Lets you see everything inside for easy loading and unloading
- Deluxe Quiet - Provides near-silent performance with a quiet-engineered motor and components, plus an extra layer of insulation
- Adjustable End-Of-Cycle Signal - Alerts you when cycle is done, saving time between loads
- Multiple Dry Cycles - Deliver optimal drying results
- Anti-Bacteria Option - Certified by the NSF® to reduce up to 99% of certain types of bacteria
- 5 Heat Selections - Offer enhanced drying performance and fabric care
- DuraDrum™ - Provides long-lasting dependability and durability
- Damp Dry Signal - Reminds you when to remove select items for hang-drying
- Delay Start - Lets you do the laundry on your terms
- Model DCVH680GJBB - Black on black
- Model DCVH680GJMR - Metallic red
- Model DCVH680GJMS - Metallic silver
- Model DCVH680GJWW - White on white
- Model DCVH680GJMV - Vermillion Red



imagination at work