

# CAUTION: TO SERVICE MACHINE, POWER MUST BE DISCONNECTED!

## DRYER TROUBLESHOOTING

PROBLEM	WHAT TO LOOK FOR
Motor runs but drum does not operate	Broken or loose belt Loose motor, idler pulley, or spring
Drum operates but is noisy	Drum out of shape Worn idler pulley Belt squeaking or frayed Motor (bearing), motor pulley loose, blower
Motor will not stop	Incorrect wiring Grounded motor or wiring Grounded heat element Faulty timer
Motor does not start	Blown fuse Timer or motor inoperative Housing wiring not properly connected to dryer Inoperative door switch Faulty "Push to Start" switch
Slow drying- improper drying	Blocked or plugged lint collector, blower housing or vent pipe Vent pipe too long Clothes too wet when put in dryer Drum set is worn or out of position Door gasket not sealing correctly Control or safety thermostats inoperative House voltage fluctuating or low
Clothes not drying on auto-dry setting	Customer selected wrong timer setting Inoperative resistor Inoperative control thermostat Inoperative heating element
Drum turns but heat does not come on	Inoperative heating element Inoperative timer Loose terminals-tighten connections Inoperative control or safety thermostat Inoperative motor switch Broken wire in wiring harness
Element burns out frequently	Worn drum seals. Replace Connections not tight at element terminals Reduced air flow. Check for proper installation & maintenance of duct work. (See Installation Instructions)

## CAUTION

### THIS MACHINE MUST BE ELECTRICALLY GROUNDED

It can be grounded thru the ground lead in the 4-prong power cord, if plugged into a properly grounded appliance outlet or thru a separate No. 12 or larger wire from the cabinet to an established ground. In all cases, the grounding method must comply with any local electrical code requirements.

### IMPORTANT - RECONNECT ALL GROUNDING DEVICES

ALL PARTS OF THIS APPLIANCE CAPABLE OF CONDUCTING ELECTRICAL CURRENT ARE GROUNDED. IF GROUNDING WIRES, SCREWS, STRAPS, NUTS OR WASHERS USED TO COMPLETE A PATH TO GROUND ARE REMOVED FOR SERVICE, THEY MUST BE RETURNED TO THEIR ORIGINAL POSITION AND PROPERLY FASTENED.

### OPERATION - DRYER

On electric model dryers, air is drawn into the heater housing and across the open coils of the electric heater. On gas model dryers, air is drawn into the combustion chamber and over the burner flame. It then is drawn through the tumbling clothes, picking up moisture and lint. Lint is filtered out as the air passes from the drum into the blower where it is discharged out the vent. The air temperature is controlled by the biased thermostat according to the setting of the fabric selector switch. The length of the drying cycle is controlled by the number of minutes selected on the timer, or automatically controlled by the timer, in conjunction with the electronic moisture sensor, for the type of fabric selected (automatic dry cycle).

To operate the dryer, first check the lint screen and be certain that the screen is completely free of all lint. Place clothes in dryer and close door. (Dryer will not operate unless door is closed.)

1. Select the drying time, or automatic drying cycle, by turning timer knob to the right.
2. Set drying temperature using timer for the type of fabric being dried.
3. To start the dryer, turn the start knob to the right and hold for 2 seconds.

### DRUM SPEED

48-54 RPM in a counterclockwise direction as viewed from the front.

## RESISTORS

The resistor, located in the thermostat heater circuit, causes the thermostat heater to generate varying amounts of heat. Resistors are connected to the timer or selector switches. Refer to the applicable wiring diagram.

Resistors are checked with an ohm meter and resistor values are marked on the schematic wiring diagram. A bad resistor will give improper drying temperatures.

### CONTROL THERMOSTAT

The thermostat and bias heater are located on the blower housing.

### CHECKING THE CONTROL THERMOSTAT

Remove harness wires from the thermostat. Determine the interior wiring by referring to the wiring diagram. Use an ohm meter to check the thermostats.

1. Remove the exhaust venting from the rear of dryer. Place a thermometer (pocket type reading at least 300° F.) in rear of exhaust pipe. If dryer is installed between cabinets, making rear access difficult, the temperature can be checked by placing a thermocouple in the lint trap opening. Thermocouple shall be located one inch to the right of lint screen opening center line and extend three inches below the top of opening.
2. Set timer for 30 minutes, or long enough to permit cycling of thermostat.
3. Allow thermostat to cycle 3 or 4 times.
4. Check temperature immediately after the third or fourth cycle of thermostat. The temperatures (depending on the temperature setting) should conform to those listed in the Temperature Chart.

- AT EXHAUST DUCT - NO LOAD

- OR LINT TRAP

### TRIP TEMP

**SETTING**  
HIGH 145-190° F.  
MEDIUM 2-10° F. lower than high heat  
LOW 2-10° F. lower than medium heat

**NOTE: LONG EXTENDED VENTS AFFECT DRUM TEMPERATURES.**

### HI-LIMIT THERMOSTAT

The hi-limit thermostat, single-pole, single throw switch wired in series with the control thermostat and heat source, is mounted to the top of the heater housing. Should the control thermostat fail or an air blockage occur, raising the heater housing temperature to 260° F. on electric or 240° F. on gas, the hi-limit thermostat opens the circuit to

the heat source and allows the heater housing to cool down to 190° F.

To check the thermostat, remove drum. To check for stuck contacts in the thermostat, start the dryer and run on HIGH heat with the exhaust duct completely blocked. The hi-limit thermostat MUST open within three minutes.

To check for an open thermostat, remove the harness wires from the thermostat terminals. Test for continuity. You should have continuity through a good thermostat at room temperature.

### SAFETY THERMOSTAT

The safety thermostat is wired in series with the motor for ELECTRIC MODELS and the burner for GAS MODELS. The purpose of the safety thermostat is to shut down the dryer if the control thermostat and hi-limit thermostat fail to open. Once the safety thermostat has opened, it must be replaced. The condition that caused it to open must be corrected.

### HEATER ASSEMBLY (ELECTRIC ONLY)

The heater assembly (208/240 volts) is located behind the drum. Perforations in the drum back allow heated air to be drawn into the drum.

The heater is an open coil type heater made from a continuous coil of resistance wire attached to a metal support plate with ceramic stand offs.

- Heater Assembly Testing:
1. Disconnect Laundry Center from electrical supply.
  2. Remove drum.
  3. Remove leads to the heater element.
  4. Connect ohmmeter across heater element terminals.
  5. Check each terminal to ground.
  6. If open or grounded, replace heater element.

- To Remove or Replace Heating Element:
1. Disconnect Laundry Center from electrical supply.
  2. Remove drum.
  3. Disconnect wires from safety thermostat, hi-limit thermostat, and ceramic insulator.
  4. Remove four screws securing heating element assembly to rear panel and remove assembly.
  5. Install new heating element.
  6. Reverse procedure to reassemble.

### IGNITOR

The ignitor is a silicon resistor. When it attains approximately 1800° F, the sensor (mounted on the side of the burner tube) detects this high radiant heat and opens its contacts.

This energizes the secondary solenoid valve coil, allowing gas to flow through the gas valve orifice and impinge upon the hot glowing ignitor. The total sequence occurs within

15 to 90 seconds. The ignitor is mounted to the burner at an angle with the silicon carbide stem extended into the flame area. The stem is very fragile and susceptible to contamination from skin oils. **HANDLE WITH CARE** by using the ignitor's insulated support.

To test the ignitor:

1. Disconnect Laundry Center from electrical supply.
2. Remove the dryer access panel and safety cover.
3. Disconnect plug connector from ignitor-to-coil harness.
4. Check resistance value of ignitor. It should be approximately 50 to 800 Ohms depending on the room temperature.

To replace ignitor:

1. Disconnect Laundry Center from electrical supply.
2. Remove burner assembly.
3. Remove burner tube from burner assembly.
4. Remove the 1/4" hex head screw and washer securing ignitor to its mounting bracket.
5. Reverse procedure to reinstall.

### DOOR SWITCH

Whenever the door is opened, the door switch will open the circuit to the motor and the external switch in the motor will open the circuit to the heat source.

### CHECKING THE MOTOR

The drive motor is 1/4 H.P., 1725 RPM with automatic reset overload protector.

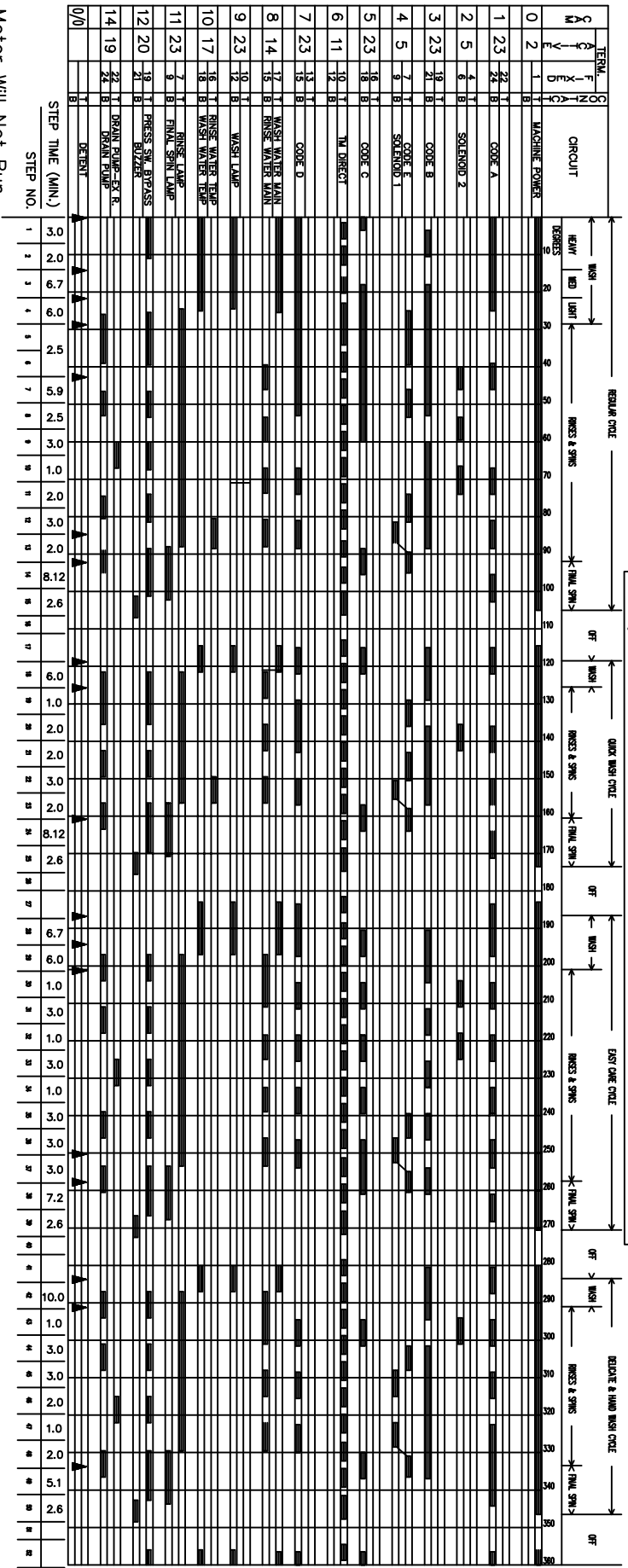
1. Disconnect electrical current and remove ventilation panel. Remove harness wires from motor.
2. Operate motor by connecting a properly fused service cord to terminals 4 and 5. The motor should start and run.
3. If motor runs, problem is open circuits in the dryer electrical or control system. If motor does not run, check the centrifugal switch.
4. When motor runs and the problem is NO HEAT, check continuity between terminals 1 and 2 with the switch button out (run position). No continuity shows the switch is inoperative. Replace motor.

### DRYER DRIVE BELT

- To Remove or Replace Dryer Drive Belt:
1. Disconnect Laundry Center from electrical supply.
  2. Remove front panel and air duct assembly.
  3. Disconnect belt from idler pulley and motor pulley.
  4. Remove belt from dryer drum.
  5. Install new belt.
  6. Reverse procedure to reassemble.

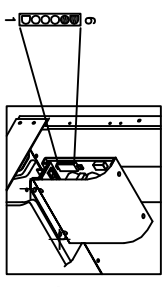


This information is intended for use by persons having electrical and mechanical training and a level of knowledge of these subjects generally considered acceptable in the appliance repair trade. The manufacturer or seller can not be responsible, nor assume any liability, for injury or damage of any kind arising from the use of this data.



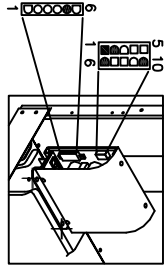
### Motor Will Not Run

- CHECK FOR POWER:** Advance the timer knob to the drain cycle. If the drain pump does not run, check the drain pump circuit. If the drain pump runs go to step 2.
- CHECK FOR MOTOR MOVEMENT:** Turn the water off to the washer. Remove electrical power from the washer and drive belt. Reconnect electrical power and set the timer to the start of the Regular wash cycle and pull the knob out. If motor does not rotate, check for a poor connection in the timer line switch or door lock switch. If good, and the motor does not run go to step 3.
- MEASURE VOLTAGES:** Remove the six pin plug from the speed control unit. Measure the voltage between pins 2 and 3 on the harness. If the meter line switch or door lock is open, the meter reads 120 Vac go to step 4.

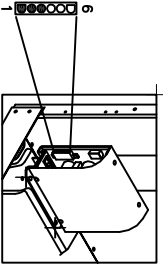


Speed Control

- Set the timer to the Heavy Wash position of the Regular wash cycle. Remove the ten pin plug from the speed control unit and measure the voltage between pins 5 of the ten pin plug to pin 5 of the 6 pin plug on the harness. The voltage at pins 2, 6, and 10 should read 120 Vac and 0 Vac at pin 1. If not, check timer contacts 1C to 1B, 5C to 5B, and 10C to 10B for closed contacts, and readings are correct, go to step 5.
- Remove electrical power from the washer. With an ohmmeter check the resistance between pins 1 and 2, 2 and 3, and 3 and 4. The resistance should be 1.7Ω. If not, replace the motor.



Speed Control

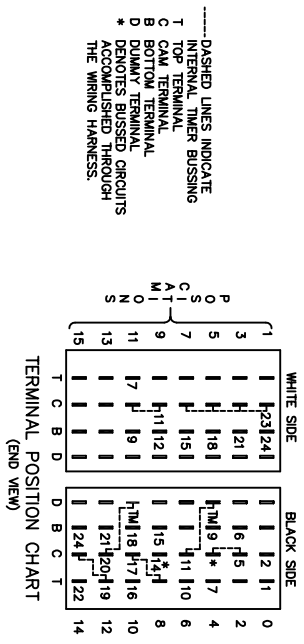


Speed Control

COMPONENT RESISTANCE TABLE	
ELECTRICAL COMPONENT	RESISTANCE (Ω @ 77°F (25°C))
WATER VALVE SOLENOIDS	880 ±10%
DOOR LOCK SOLENOID	1325 ±6%
TIMER MOTOR	2425 ±6%
PUMP MOTOR	15 ±7%
DISPENSER VALVE SOLENOIDS	1100 ±7%
M1 TO M2	2.6 ±7%
M2 TO M3	2.6 ±7%
MOTOR	1.7 ±7%
M5 TO M6	184 ±7%

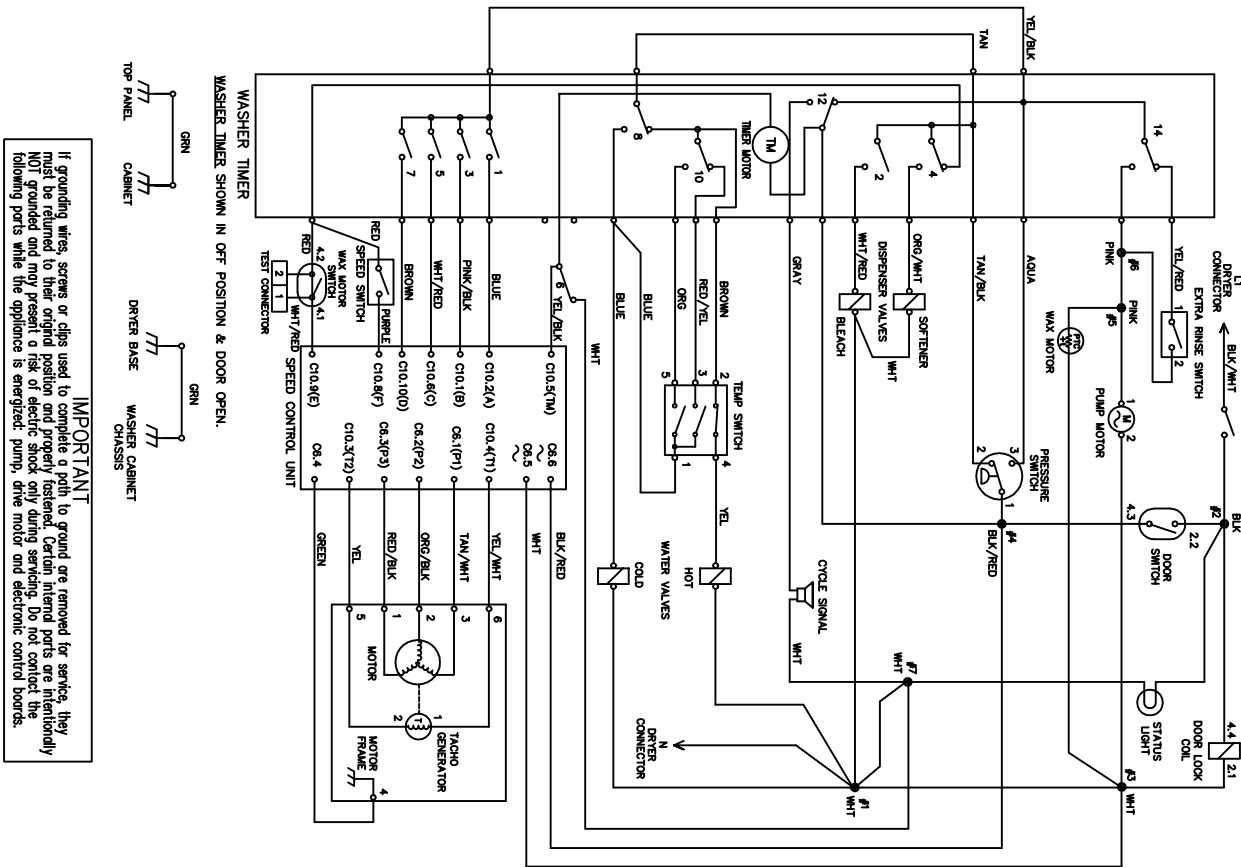
### Quick Facts

The timer motor will not run continuously. The speed control unit controls the timer motor and advances the timer when needed. In some tumble modes, the tub may not tumble for the first 16 to 20 seconds after start. Water pressure may cause extremely low tub rotation to stop until WLC satisfied.

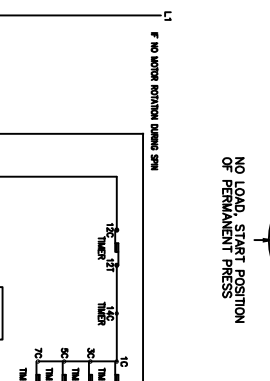
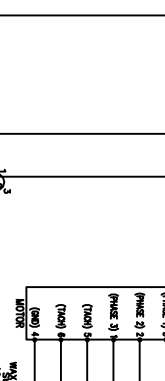


TERMINAL POSITION CHART (END VIEW)

# WIRING DIAGRAM



**IMPORTANT**  
If grounding wires, screws or clips used to complete a path to ground are removed for service, they must be returned to their original position and ground fastened. Certain internal parts are intentionally NOT grounded and may present a risk of electric shock only during servicing. Do not contact the following parts while the appliance is energized: pump, drive motor and electronic control boards.



TEMPERATURE SWITCH CIRCUIT

WASH/RINSE	1-3	1-5	2-4
HOT/COLD		X	X
WARM/COLD	X	X	X
COLD/COLD	X	X	X
WARM/WARM (OPT)	X	X	X

X=CONTACTS CLOSED

SPEED SWITCH

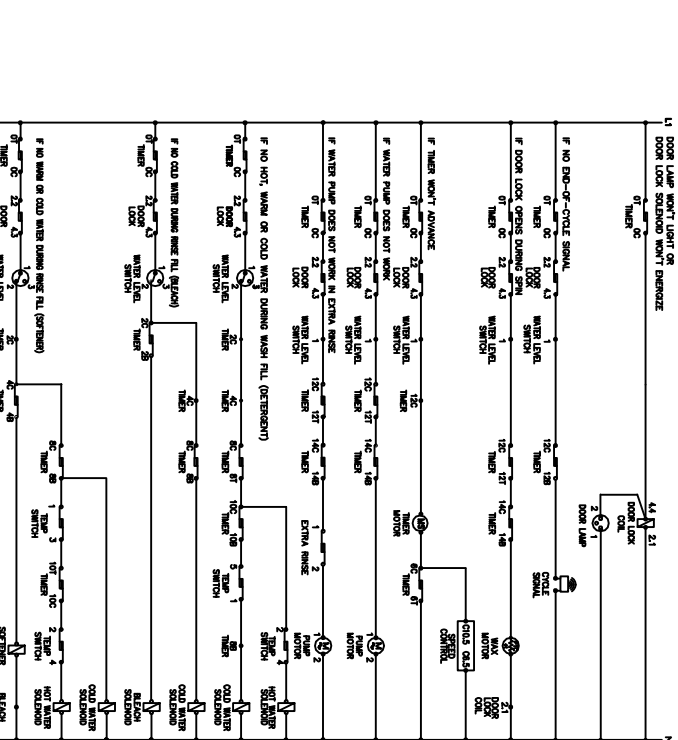
SPEED	NO LOAD	NO LOAD	NO LOAD
FAST			
FAST			
FAST			

- WIRING CODES
- CONNECTION
  - NO CONNECTION
  - MOTOR SWITCH
  - SPLICE
  - MOTOR PROTECTOR
  - CHASSIS (CABINET) GROUND
  - HARNESS CONNECTOR TERMINAL

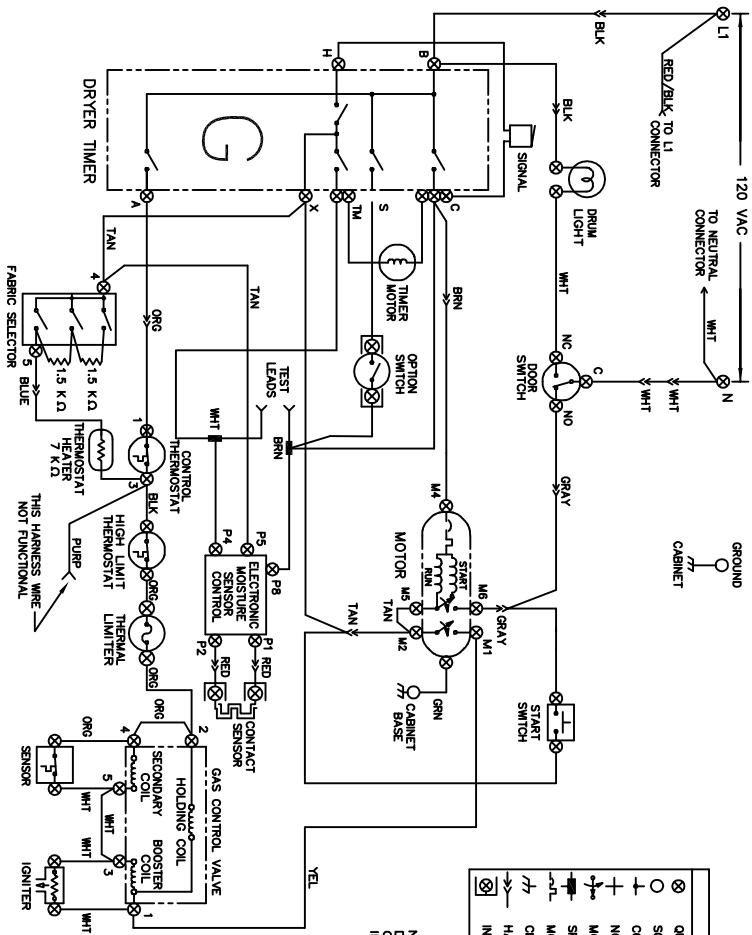


**WARNING** Disconnect from Electrical Supply Before Servicing Washer.

## DIAGNOSTIC STRIP CIRCUITS



CAUTION: DISCONNECT ELECTRIC CURRENT BEFORE SERVICING. LABEL ALL WIRES PRIOR TO DISCONNECTION WHEN SERVICING CONTROLS. WIRING ERRORS CAN CAUSE IMPROPER AND DANGEROUS OPERATION. VERIFY PROPER OPERATION AFTER SERVICING.

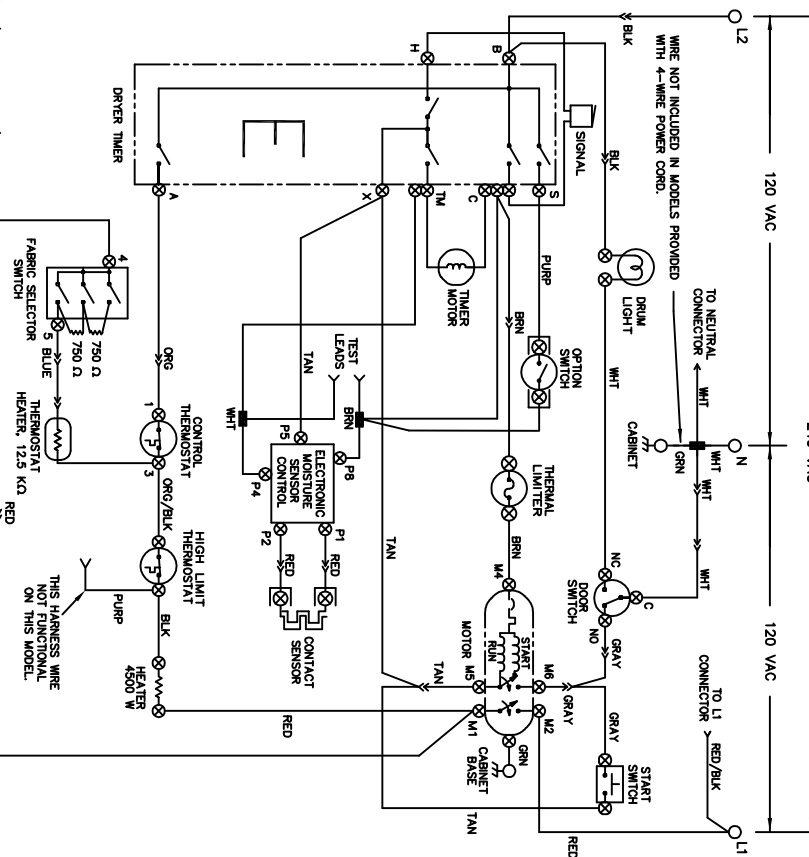
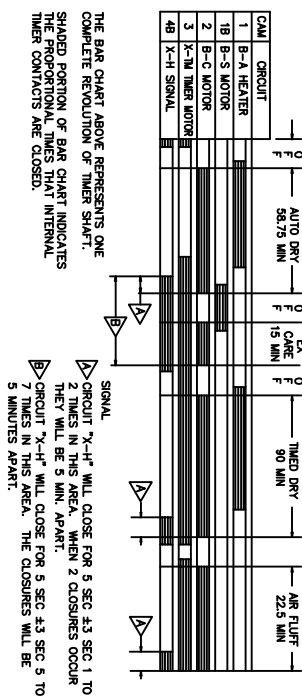


**WIRING CODES**

- ⊗ QUICK DISCONNECT TERMINAL
- SCREW TERMINAL
- CONNECTION
- NO CONNECTION
- ⊕ MOTOR SWITCH
- ⊖ SPULCE
- ⊖ MOTOR PROTECTOR
- ⊖ CHASSIS (CABINET) GROUND
- ⊖ HARNESS CONNECTOR TERMINAL
- ⊖ INSULATED TERMINAL

NOTE: DASHED LINES INDICATE GROUPS THAT ARE NOT IN ALL MODELS.

GAS & ELECTRIC CYCLE CHART



NOTES-ELEC MODELS  
 1. ALL WIRING MUST CONFORM TO LOCAL ELECTRICAL CODES.  
 2. CONNECT DRYER TO 30 AMP INDIVIDUAL BRANCH CIRCUIT.  
 3. DRYER TIMER SHOWN IN OFF POSITION. DOOR SWITCH CLOSED, MOTOR AT REST, THERMOSTAT CLOSED, AND FABRIC SELECTOR SWITCH AT HIGH HEAT.