

ED54  
53  
AD53  
38

# Use and Care for Dryers



**Fisher & Paykel**

# INTRODUCTION

Congratulations on purchasing a Fisher & Paykel dryer. If this is your first dryer you will soon be appreciating the convenience of tumble drying and the advantages to your clothes and household linen of not being subjected to the harsh overdrying effects of the sun. Your clothes will feel softer, retain their shape better, and will require less ironing. If this is not your first dryer, we are confident you will appreciate the technological advancements that make drying clothes more efficient and easier on your clothes.

Many people are reluctant to use a dryer because they believe they are expensive to run. True enough, sunshine is free, but we don't always have sunshine and the benefits to you and your clothes can make machine drying worthwhile.

To demonstrate the cost of drying we will use a 2.5kg clothes load.

1 Sheet	1 Tablecloth
2 Business Shirts	2 Bath Towels
3 T-shirts	2 Singlets
2 Pillowcases	1 Pair Underpants

This load was subjected to a high speed spin (1000rpm) and dried in an Electronic dryer on dryness level 4.

The load took 60 minutes to dry.

## COST TO DRY:

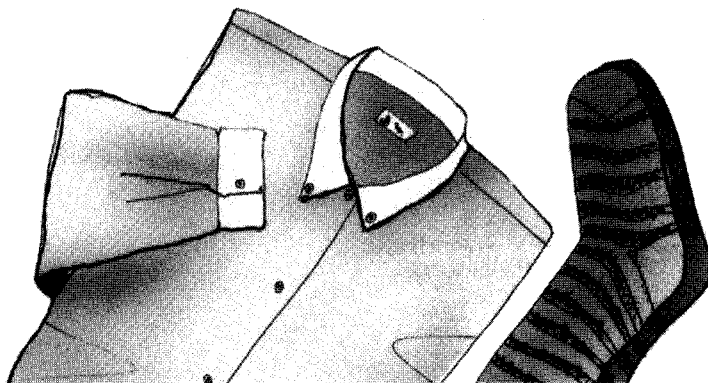
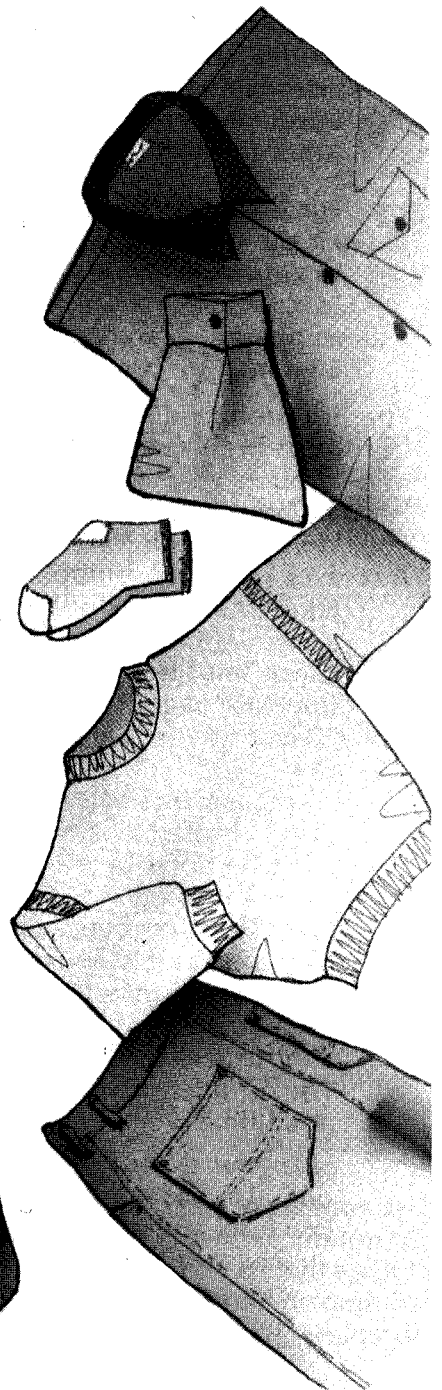
For example if power costs 10 cents/unit, the load will cost approximately 15 cents to dry (1.48 units x 10c). Check with your local Electrical Supply Authority for domestic tariff.

Before using your dryer ensure you have:

- The correct installation for your dryer type. The Compact Dryer is front venting dryer. The Dualcare and Electronic Dryers are rear venting dryers.
- Read the Safety and Installation Instructions.

# CONTENTS

Dryer Safety	2
Cleaning the Lint Filter	3
Sorting & Loading	4
Electronic Dryer	5
Dual Care Dryer	8
Compact Dryer	9
Specification	11
Dryer Rack	11
Installation	12
Operating Problems	16



## DRYER SAFETY

Correct installation is very important for all dryers, for maximum efficiency and safety.

**For Electronic and Dualcare Dryers** make sure the air outlet has been either:

- Externally vented or
- Internally vented with a Vent Deflector fitted. (refer Installation section for venting options)

**For Compact Dryer**

- Fit the plastic spacers provided. This ensures the air inlet is not up against the wall. (refer Installation section)
- Minimum clearance needed from the wall is 50 mm.

The lint produced in the drying process can become a fire hazard if it is allowed to accumulate in or around your dryer.

Accumulated lint can also reduce the efficiency of your dryer, causing longer drying times which increases power consumption.

Never run your dryer unless the airflow system is free from obstruction.

Clean lint filter before every load (refer opposite page).

Ensure the area around the dryer is clear of lint.

At regular intervals have the interior of your dryer cleaned of any accumulated lint. This must be done by a qualified person for electrical safety.

This dryer has been designed for domestic use only **not** for commercial applications where there may be increased lint accumulation or flammable materials in the atmosphere or clothes load.

The air inlet of your dryer must be kept clear at all times.

Use your dryer to dry fabrics washed in water only. **Do not dry garments soaked in drycleaning fluid or clothes that have been washed with any flammable solution.** Never dry rubber articles, fibreglass, or any plastic items or film e.g. plastic lined tablecloths and babys bibs.

# CLEANING THE LINT FILTER

Clean your lint filter before every load.

## Electronic & Dualcare Dryers

Your lint filter is located in the door opening.

1. Remove the lint filter, open it out and wipe clean with your hand.
2. Close the lint filter and place back in opening.

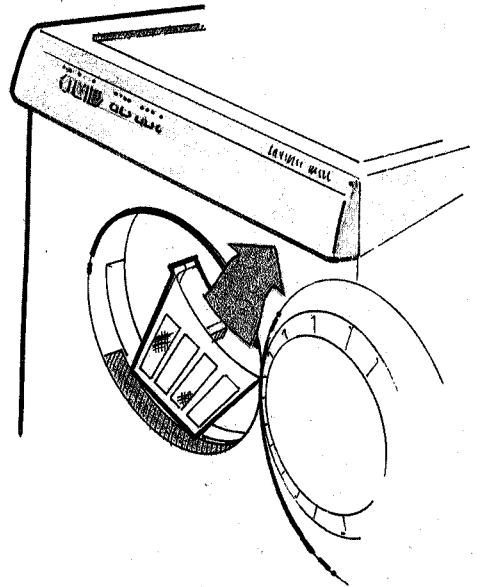
## Compact Dryer

Your lint filter is located on the door of the dryer behind the directional outlet grill.

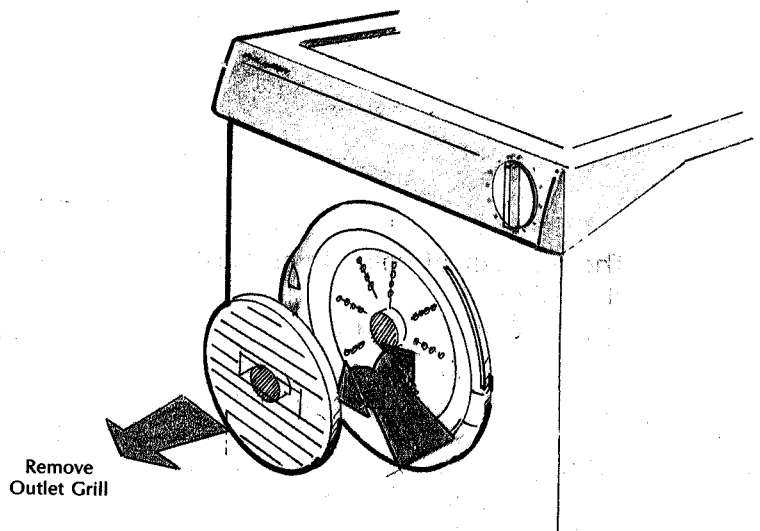
1. Hold the hub of the outlet grill and pull outwards.
2. Turn the grill around and remove lint from the filter by wiping clean with your hand.
3. Also remove any lint on the perforated metal screen on the door.
4. To replace the grill, locate the hub over the boss in the centre of the door and push firmly.

Do not clean your lint filter by vacuuming or wetting it, as this may block the fine pores essential for maximum airflow.

Electronic & Dualcare Dryers



Compact Dryer



## SORTING & LOADING

In order to achieve both optimum drying performance and efficiency, clothes should be sorted for the dryer according to how long they take to dry. The simplest way to do this is to sort your wash into two categories.

1. The heavier garments that take longer to dry e.g. towels, T-shirts, flannelette sheets.
2. The light garments that dry quickly, e.g. cotton/ polyester shirts and sheets, synthetics.

By sorting your clothes in this way, you are:

Separating lint givers from lint collectors.

Ensuring against uneven drying by collectively treating garments that take similar times to dry.

Minimising drying times because you aren't over-drying some items while others are still damp.

This is perhaps the simplest way to organise your washing, however, there are other ways:

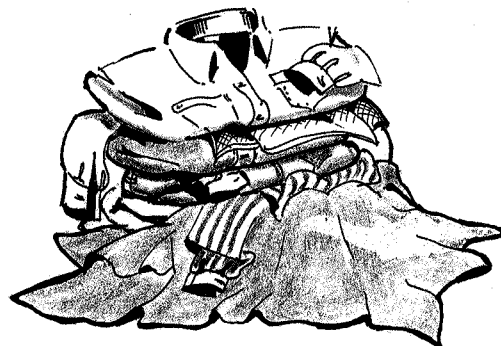
You may wish to separate your delicates and synthetics to take advantage of the low heat cycles.

Clothes for tumble drying should be spun at the highest spin speed your autowasher will allow for the load type. The more water you remove in the wash the less you have to remove in the dryer. Never put dripping wet garments in or on top of the dryer as excessive water could cause an electrical hazard.

By closing zippers, hooks and eyes etc, you can prevent clothes from being snagged or tangled.

To ensure clothes are dried evenly, shake them out and load them individually.

Many people enjoy the benefits of utilising a dryer to dramatically decrease their ironing. This is achieved by laundering all permanent press articles separately. Load your dryer to allow enough room for the clothes to tumble freely. The tumble action and heat of a dryer minimises creasing in these garments. If they are hung on a clothes hanger as soon as the dryer cycle is completed they require little or no ironing.



# ELECTRONIC DRYER

Your Electronic Dryer senses when your clothes are dry, taking the guess work out of choosing drying times and safeguards against shrinkage. When the dryer senses that your clothes are at the level of dryness selected, it will automatically finish the Drying Cycle with a 10 minute **cool down** or **airing cycle**. During cool down the drum tumbles, blowing cool air through the clothes to help prevent creasing. At the end of the cool down period the dryer will give 5 beeps to tell you that your clothes are ready.

## Using Your Electronic Dryer

Plug cord into wall socket and switch on.

Load garments into Dryer (see page 4 for details).

Clean lint filter (see page 3 for details).

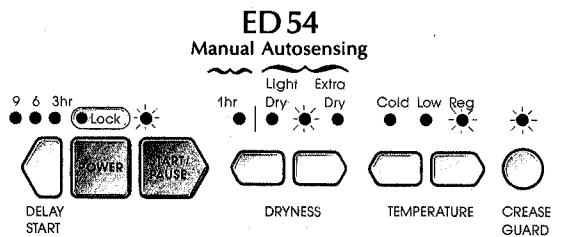
Press **POWER** button to turn Dryer on.

Select Dryness level.

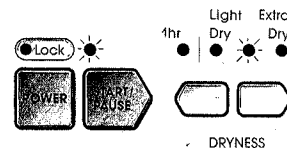
Select temperature setting (ED54 Dryer only).

Press **START/PAUSE** button to start your Dryer.

Try to remove the garments from the dryer as soon as the cycle is completed, or use the crease guard option (ED54 Dryer only). This will prevent creasing.



## ED53



# ELECTRONIC DRYER

## Dryness Levels

Your Electronic Dryer has 5 dryness settings from Light dry through to Extra dry.

Different clothes loads will suit different dryness levels. If your clothes are not dry enough, select the next level up. The higher the level chosen, the longer the drying time and the drier your clothes will be.

Select a lower setting if you want your clothes slightly damp for ironing.

The display shows 2 lights for some dryness settings e.g. Light-medium dry and Medium-extra dry.

The light to medium settings are for drying delicate fabrics and fabrics prone to shrinking e.g. synthetics, sweatshirts.

The medium to extra dry settings are for heavier, durable garments which require longer drying times e.g. towels, flannelette sheets.

## 1 Hour Setting

The 1 hour setting is a manual cycle which dries continuously for 60 minutes. The manual cycle does not sense when your clothes are dry.

If you wish to dry shoes in your dryer we recommend you use the manual cycle as the autosensing function cannot sense when shoes are dry. It is important to check the shoes throughout the manual cycle to avoid overdrying the shoes.

## Temperature Settings ED54 Only

Your ED54 Dryer has 3 temperature settings regular low, and cold.

The **regular** setting is for drying most fabrics.

The **low** setting is for drying delicates and synthetics. It is half heat so the temperatures are lower for maximum care of the fabrics. The low temperature uses less power and is more energy efficient.

The **cold** setting is an airing cycle to freshen up garments. The cold setting operates only on the 1 hour manual cycle.

The low and high settings will operate on both the manual and the autosensing cycles.



## Pause

Opening the door or pressing the START/PAUSE Button will stop the dryer tumbling. To start again close the door and press START/PAUSE. If the dryer door is left open for more than 8 minutes the dryer will switch off.

## Key Lock

Once you have selected your drying programme and have started the dryer you can lock in your programme using the key lock option. This prevents the dryer from being accidentally switched off, or the programme being altered. The key lock can also be used to prevent children turning the dryer on.

1. Press LOCK button and hold for 2 seconds.
2. The key lock light will flash and the dryer will give 2 quick beeps.
3. The key lock light will remain on and all other keys will now be locked.

To remove the key lock repeat steps 1 and 2.

## Delay Start ED54 Dryer Only

The delay start option can be used to delay the start of the drying cycle. This is particularly useful if you have reduced rate night-time electricity.

1. Press POWER button.
2. Select Temperature and Dryness level, and Crease Guard if required.
3. Press DELAY START button, once for 3 hours delay, twice for 6 hours, and 3 times for 9 hours.

Selecting delay start will cancel the "beeping" at the end of the cycle. The delay start will not operate when the 1 hour manual cycle is selected. **Do not leave non-colourfast materials to sit wet in the dryer as the dye may run.**

## Crease Guard ED54 Dryer Only

To minimise creasing when the cycle is finished, you can use crease guard.

At the end of the drying cycle the drum will rotate briefly every 5 minutes blowing cool air through the clothes. The dryer will beep to remind you that your clothes are ready. The crease guard will continue for 12 hours or until you turn the dryer off.

Crease guard can be selected anytime during the programme by pressing the CREASE GUARD button.

# DUALCARE DRYER

Your Dualcare Dryer has been designed so the temperature inside the dryer is kept to a minimum throughout the cycle.

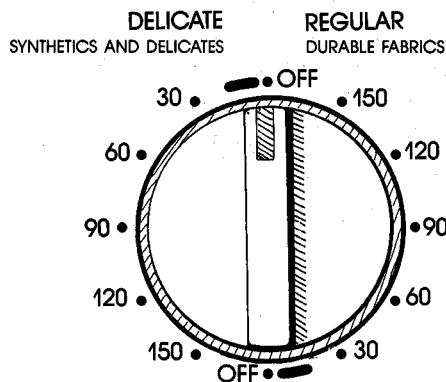
Just as too high wash temperatures can damage garments, excessive temperatures in the dryer should be avoided to ensure optimum clothes care.

The Dualcare Dryer offers you the choice of two cycles differentiated by the amount of energy or heat used for drying.

The traditional **Regular** cycle for drying more resilient fabric or garment types, e.g. cotton. Here the heater remains on until the last 13 minutes of the cycle where the dryer goes into Cool Down. During Cool Down the drum tumbles and cool air is blown through the clothes. This makes the garments more resistant to creasing if left in the dryer.

A special **Delicate** cycle where the heater pulses on and off. The result being the energy input is considerably lower, so garments are dried at lower temperatures for better care of synthetics or delicates. The Delicate cycle consists of three drying phases. The energy input is successively decreased as the timer proceeds through each phase. This means that when the clothes are at their wettest they are subjected to more heat than when they are drier and more susceptible to damage.

As with Regular, the Delicate cycle is terminated with a 13 minute cool down period.



# COMPACT DRYER

Your Compact Dryer has been designed so that temperatures inside the dryer are kept to a minimum throughout the cycle.

On the panel of your dryer is a Drying Guide which tells you what fabric types are suitable for each cycle.

The Compact Dryer has two drying cycles designed to take care of your drying requirements:

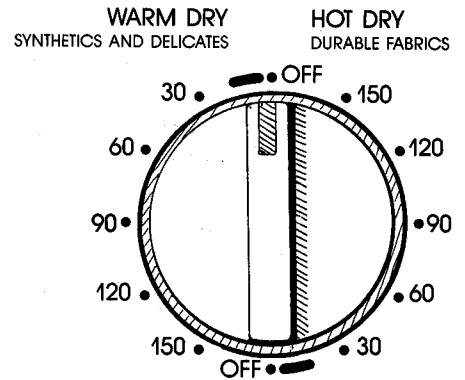
**Hot Dry Cycle** for drying more durable garments such as cotton.

In this cycle the heating element remains on until the last 15 minutes of the cycle where the Dryer goes into Cool Down.

During Cool Down the drum tumbles and cool air is blown through the clothes. This makes the garments more resistant to creasing if left in the dryer.

**Warm Dry Cycle** for drying delicates and synthetics. The heating element pulses on and off during this cycle to keep temperatures lower ensuring maximum fabric care.

As with the Hot Dry Cycle, the Warm Dry Cycle ends with a 15 minute Cool Down.



# COMPACT & DUALCARE DRYERS

## Using Your Compact & Dualcare

Plug dryer cord into wall socket and switch on.

Load clothes in Dryer (see page 5 for details).

Clean lint filters (see page 3 for details).

Turning the knob clockwise only, select the desired cycle and drying time.

Try to remove the garments from the dryer as soon as the cycle is completed. This will help prevent creasing.

## Drying Times

With your new dryer it may take a few trials before you can accurately predict the correct drying time for each individual load. As a guide we have included some example loads and their drying times. These times are approximate only, based on the garments being subjected to the maximum spin speed suitable for the wash load.

Load Comparison	Approximate Drying Times
7 Towels	60-80 mins
10 Shirts (cotton/polyester)	20-40 mins
4 T-shirts plus 5 Towels	60-80 mins
9 small Delicates	20-30 mins

# SPECIFICATIONS & DRYER RACK

## Specifications

	Dual	
Cabinet Dimensions (mm)	& Electronic	Compact
Width	568	568
Depth	550	440
Height	790	790
Electrical	N.Z.	
Volts	230	230
Hz	50	50
Amps	7.8	7.8
Capacity (kg)	4.5	3.5

## Drying Rack Electronic & Dualcare only

A drying rack can be purchased from your dealer as an optional extra. Part No. 460667. There is a locating pin at the back end of the dryer rack. The rack attaches to the back of the drum and rests on the door opening to form a stationary platform on which to dry shoes etc.

Avoid putting dripping wet shoes or hats in your dryer. Most articles can be spun out in your washer to rid them of excess water.

For the Dualcare Dryer the delicate cycle is recommended when using the drying rack.

For the Electronic Dryer the 1 hour manual cycle and low temperature setting (ED54 Dryer only) is recommended when using the drying rack. It is important to check the articles throughout the manual cycle to avoid overdrying.

Place shoes sole side up or on their sides with the toes pointing towards the door. This will ensure that they are subjected to maximum amount of warm air.

If shoes have laces, these should be removed and the tongues pulled up.

Lay hats flat on the rack, use the same settings as when drying shoes.

# INSTALLATION

These installation options make your dryer versatile enough to suit most requirements.

These options include:

**1. Free Standing**

The Dryer stands on the floor and can easily be moved into position.

**2. Side By Side Match\* Electronic & Dualcare only**

A plinth with adjustable feet makes your dryer an attractive side by side match to your existing washer. It will also minimise the amount of bending required when loading or unloading the dryer.

Plinth Part No. 94843

**3. Inverted Wall Mounting\* All Models**

A wall mounting kit and inverted panel makes installing your dryer above your washer or tub possible.

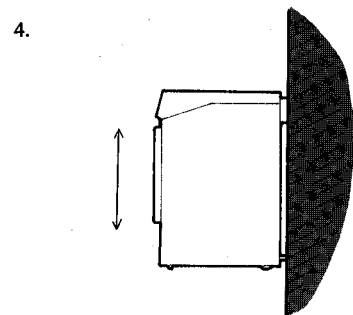
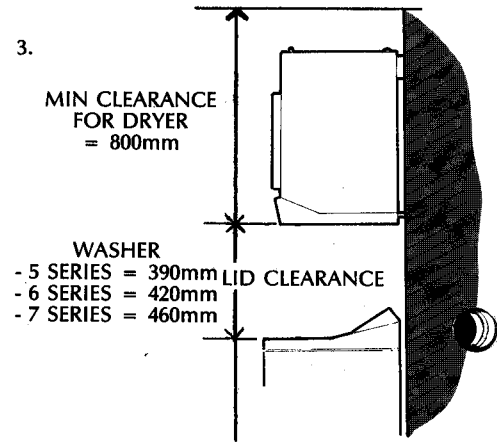
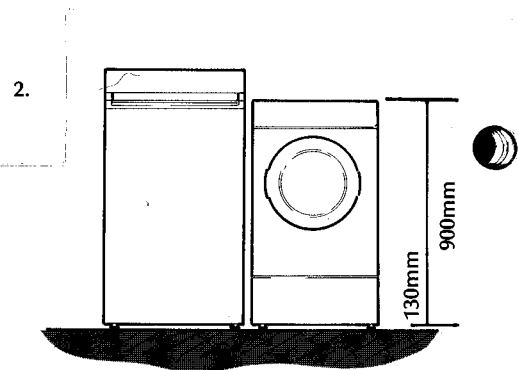
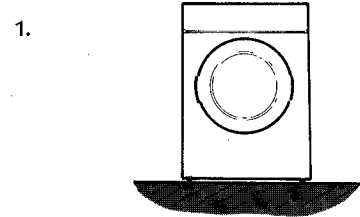
**4. Upright Wall Mounting\* All Models**

The wall mounting kit allows you to install the dryer at any desired height minimising the amount of bending and stretching.

\* Kits for these options are available from your dealer along with instructions.

Wall Mounting Kit  
Inverted Panels

	Part No. 460619
Electronic	460806
Dualcare	460798
Compact	410471



# INSTALLATION ELECTRONIC & DUALCARE DRYERS

## External Venting

Your dryer has been designed to be externally vented to provide these advantages:

- Ensures optimum efficiency by preventing recirculation of moist air.
- Eliminates condensation on walls and ceilings.
- Reduces the chance of lint being sucked into dryer.
- Prevents lint and other fine particles being blown into the room.

Several venting options are available.

### Flush Venting

The Dryer is vented via a galvanised metal pipe through a hole in the wall.

This is suitable for floor and wall mounted dryers installed against an outside wall.

### Movable Venting

As for Flush Venting but a flexible hose allows the dryer to be moved from the wall slightly. Suitable for floor mounted dryers only.

### Window Venting

A flexible hose is used to vent the dryer through a window. Maximum hose length is 2 metres.

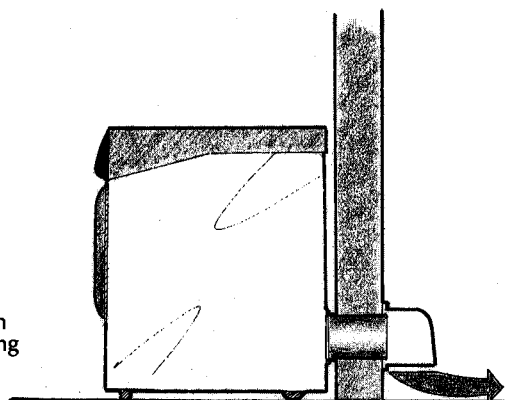
### Venting Duct

An extendable duct that allows venting to a window or through an existing wall vent. The duct can be used with flexible hose. Specially suitable for inverted dryers.

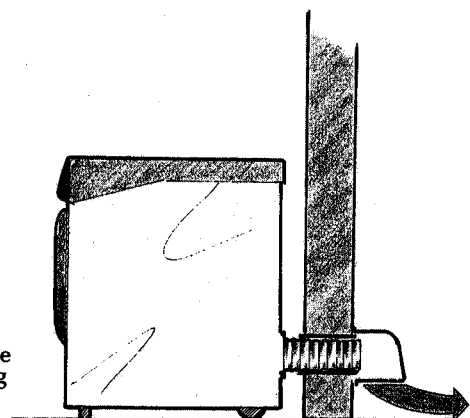
Flush Venting Kit  
Flexible Hose 2m  
Venting Duct Kit

Part No. 319120  
Part No. 460130  
Part No. 460886

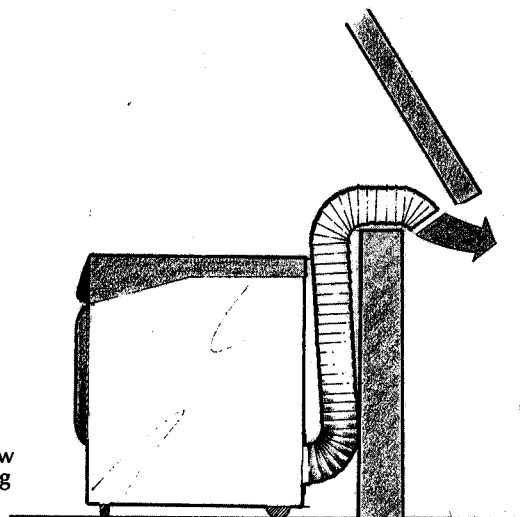
Flush Venting



Movable Venting



Window Venting



# INSTALLATION ELECTRONIC & DUALCARE DRYERS

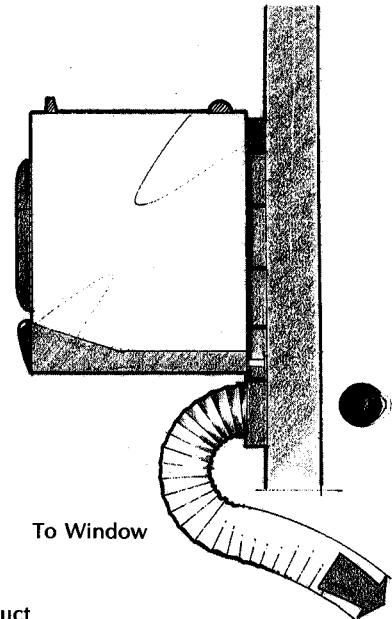
## External Venting (continued)

All external venting systems should be:

- made from galvanised metal pipe or be sleeved with a galvanised metal pipe where the vent system goes through a wall or ceiling.
- exhausted outside and not into another confined space.

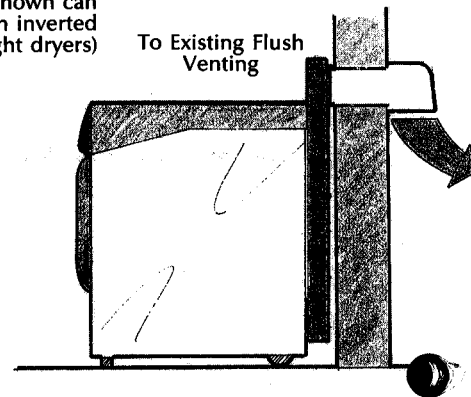
- fitted with a vent cap outside to stop rain water entering the dryer exhaust system and angled to avoid condensation running back into the dryer.

**DO NOT** use internal Vent Deflector as a vent cap as this will cause airflow restriction and loss in performance.



Venting Duct  
(Options shown can be for both inverted or upright dryers)

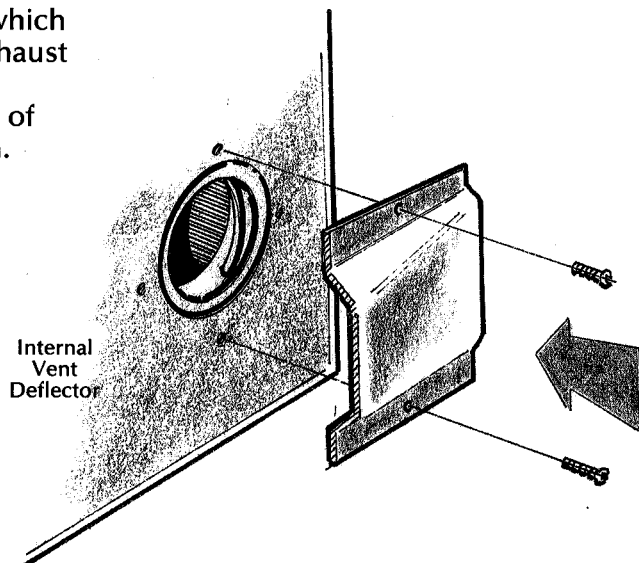
To Existing Flush Venting



## Internal Venting

You have been provided with a vent deflector, which screws on to the back of your dryer over the exhaust outlet. If external venting is not possible the deflector must be fitted. Its outlet must be clear of obstruction to ensure normal and safe operation.

Deflector Part No. 460822





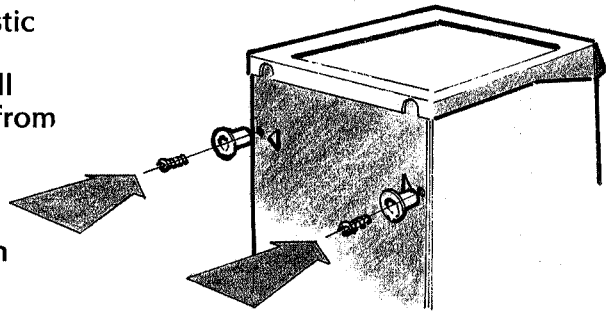
# INSTALLATION/COMPACT DRYER

The Compact Dryer is front venting. The air is taken in through the grill at the rear of the dryer and vented out through the grill in the door.

The dryer should be positioned so that the air intake at the rear is unrestricted.

Included with the Compact Dryer are two plastic spacers. Fitting these under the screw heads 180mm (7") down on the dryer's rear panel will ensure the dryer is correctly positioned away from the wall.

1. Remove the two screws indicated by the arrows on the back panel.
2. Use these screws to fit spacers as shown in diagram.

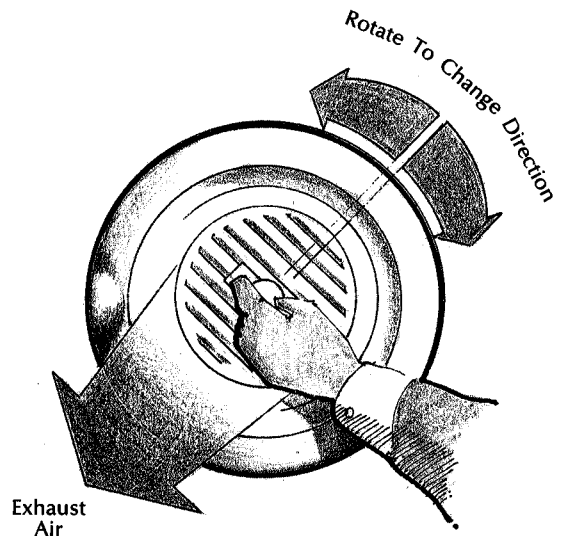


The Compact Dryer can be wall mounted either inverted or upright.

A wall mounting kit is available from your dealer along with instructions.

## Directional Outlet Grill

The outlet grill can be rotated to direct the exhaust air. It should be adjusted so that it points towards an external window or door.



## OPERATING PROBLEMS

If there is a problem with your dryer please check the following points before contacting your Fisher & Paykel Dealer or Authorised Service Centre.

Is the electrical cord plugged in and switched on?

Check the house fuse has not blown.  
Try plugging in another appliance.

Have you pushed the start button (Electronic Dryer) or set the timer to operating position (Dualcare and Compact Dryers)?

Is the door securely closed?

Is the lint filter clean and the airflow system free from obstruction? (Slow drying will result if these are blocked).

# WARRANTY

WE WARRANT that the Clothes Dryer bearing the reference numbers noted below is free from defects in material and workmanship under normal home use and service.

Accordingly, we undertake to repair, or at our option, replace without cost to the owner either for material, labour or carriage, any part which within ONE YEAR from the date of purchase is found to be defective provided that the appliance has been used for domestic purposes only and in accordance with the instructions given in the instruction book, and not been subjected to misuse, neglect or accident, or installed, dismantled, repaired or serviced by any other than an authorised service establishment.

**IMPORTANT: ANY CLAIM FOR WARRANTY SERVICE MUST BE MADE THROUGH THE DEALER WHO SOLD THE CLOTHES DRYER and who during the period of warranty, undertakes to make any necessary adjustment and fit any replacement part supplied by the manufacturer, in each case free of charge during normal working hours or alternatively will arrange for such service to be provided by some other authorised service establishment.**

**This warranty card must be shown to the dealer when making any claim.**

**FISHER & PAYKEL LTD**

Model No. ....

Serial No. ....

Date of Purchase .....

Purchaser .....

Dealer .....