

EQUATOR

Tumble Dryer



Model: CL 837 V

INTRODUCTION

Congratulations on your new Equator Vented Dryer. In addition to its award winning design, this is a highly sophisticated engineered product that will give you many years of satisfaction. Please spend a few moments to read the Owners Manual. This will show you ways to best utilize your valuable purchase.

Here are 10 of the best reasons for buying your Dryer -

1. Energy Savings

This appliance is engineered to provide valuable energy savings when compared to other washer-dryers.

2. Space Savings

The Dryer is designed to utilize horizontal and vertical space effectively. By using the stacking kit (available separately,) this unit can be mounted onto the Equator combo Washer-Dryer.

3. Sensing Technology

Built-in moisture and weight sensing technology is designed to stop drying at the appropriate time.

4. Temperature Selection

Choose your drying temperature for the quantity and quality of clothes you place in the dryer. High and low heat settings are available for cottons/mixed thread clothing and for delicates.

5. Meeting Standards

The dryer vents using a standard 4" duct that fits most dryer exhaust vents.

6. Convenient Lint Control

An easily accessible lint filter is available for cleaning after every load.

7. 220V operation

The dryer power cord plugs into a standard 220V outlet - available in most homes.

8. Safety

The dryer has a built in safety switch that reset when air flow is restricted. This lets the dryer electronics remain unharmed by pausing the appliance till the conditions are corrected.

9. Easy Operation

Just set the dryer clothing mode and press the start button. Easy as 1-2-3.

10. Timed Dry:

A one-button operation is available for an extra 60 minutes of timed drying.

IMPORTANT SAFETY INSTRUCTIONS

Your safety and that of your children

Your dryer has been built in compliance with the strictest international safety regulations. To protect you and all your family.

WARNING -To reduce the risk of fire, electrical shock, or injury to persons when using your appliance, follow basic precautions, including the following:

1. Read all instructions, before using the appliance.
2. Do not dry articles that have been previously cleaned in, washed in, or spotted with gasoline, dry cleaning solvents, other flammable or explosive substances as they emit vapors that could ignite or explode.
3. Do not allow children to play on or in the appliance. Close supervision of children is necessary, when the appliance is used near children.
4. Before the appliance is removed from service or discarded, remove the door to the drying compartment.
5. Do not reach into the appliance if the tub, agitator, or drum is moving.
6. Do not install or store this appliance where it will be exposed to the weather.
7. Do not tamper with controls.
8. Do not repair or replace any part of the appliance or attempt any servicing unless specifically recommended in the user-maintenance instructions or in published user-repair instructions that you understand and have the skills to carry out.
9. Do not add gasoline, dry-cleaning solvents, or other flammable or explosive substances as drying agents. These substances give off vapors, that could ignite or explode.
10. Under certain conditions, Hydrogen gas may be produced in a hot water system that has not been used for 2 weeks or more. **HYDROGEN GAS IS EXPLOSIVE.** If the hot water system has not been used for such a period, before using a washing machine or combination washer washer-dryer, turn on all hot after faucets and let the water flow from each for several minutes. This will release any accumulated Hydrogen.
11. Do not use heat to dry articles containing foam rubber or similar textured rubber-like materials.
12. Clean lint filter before or after each load.
13. Keep the exhaust opening and surrounding areas free from accumulation of lint, dust, and dirt.
14. The interior of the machine should be cleaned periodically by qualified service personnel.
15. Do not place items exposed to cooking oil in your Dryer. Items contaminated with cooking oils may contribute to a chemical reaction that could cause a load to catch fire.

Save these instructions

Model CL 837 V Clothes Dryer

The model number of your dryer (CL 837 V) can also be found on the serial plate, located inside the door. □

□ The Dryer Stacking Kit and other Spare parts are available □ for purchase or special order. □

□ To request service and/or the location of the service agent nearest you, call the toll free number listed to the left.

For service, contact □
Equator Service at □
1-800-776-3538

NOTE: □

When requesting service or ordering parts, always provide □ the following information: □

-
- • Product Type □
- • Model Number
- • SERIAL# (Please Note) □



CAUTION

**RISK OF ELECTRIC SHOCK
DO NOT OPEN**



CAUTION: TO REDUCE THE RISK OF ELECTRIC SHOCK,
DO NOT REMOVE COVER (OR BACK).
NO USER SERVICEABLE PARTS INSIDE.
REFER SERVICING TO QUALIFIED SERVICES
PERSONNEL.



The lightning flash with arrowhead symbol, within an equilateral triangle, is intended to alert the user to the presence of uninsulated "dangerous voltage" within the product's enclosure that may be of sufficient magnitude to constitute a risk of electric shock to persons.



The exclamation point within an equilateral triangle is intended to alert the user to the presence of important operating and maintenance (servicing) instructions in the literature accompanying the appliance.

The model number of this product may be found on the back of the unit; and the serial number on the label affixed to the back of the unit.

You should note the model and serial numbers of this unit in the space provided, and retain this booklet as a permanent record of your purchase to aid in identification in the event of theft.

MODEL NUMBER _____

SERIAL NUMBER _____

WARNING:
TO PREVENT FIRE OR SHOCK HAZARD,
DO NOT EXPOSE THIS PRODUCT TO RAIN
OR MOISTURE.

INSTALLATION INSTRUCTIONS

Exhaust Materials

NOTE: To reduce the risk of fire, DO NOT use flexible plastic pipe to exhaust the dryer. The following exhaust materials are recommended and can be obtained from any local hardware store:

4.1 4" (Diameter) Rigid metal duct.

4.2 4" (Diameter) Non-combustable semi-rigid flexible metal duct.

4.3 IMPORTANT: For maximum efficiency, keep the exhaust duct as short as possible. Make sure old exhaust ducts are 'cleaned' before installing your new dryer.

4.4 To prevent "backdraft" when the dryer is not in use, the outer end of the exhaust pipe must have a weather hood with hinged dampers installed. (Available at local hardware stores).

Note: Weather hood should be installed at least 12" (30.5cm) above the ground. Higher clearances may be necessary in areas where heavy snowfall can occur.

INSTALLATION

5.1 Before installation, we recommend a thorough visual inspection of the dryer for damage. Do not install the dryer if the appliance is damaged.

5.2 The dryer is equipped with an exhaust adapter which will accept standard 4" (10.2 cm) diameter rigid or flexible metal exhaust pipe.

5.3 Mount the adapter to the cabinet (Fig 2) using the sheet metal screws provided.

5.4 The dryer must be installed on a solid floor and adequate ventilation provided.

5.5 **Warning!** The dryer should not be exhausted into a chimney, a wall, a ceiling, or a concealed part of the building.

5.6 **Warning!** To reduce the risk of fire, this appliance must be exhausted outdoors.

5.7 Try and place the dryer so the exhaust pipe is as short as possible. (Fig 3)

5.8 Use as few 90° elbows as possible.

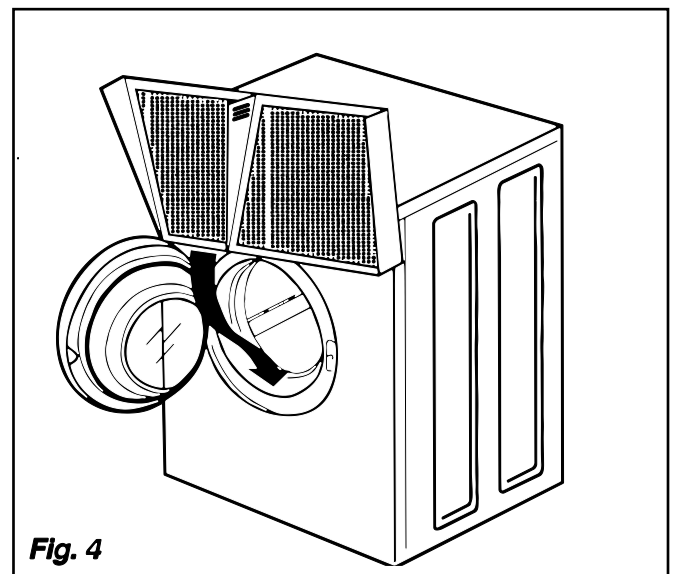
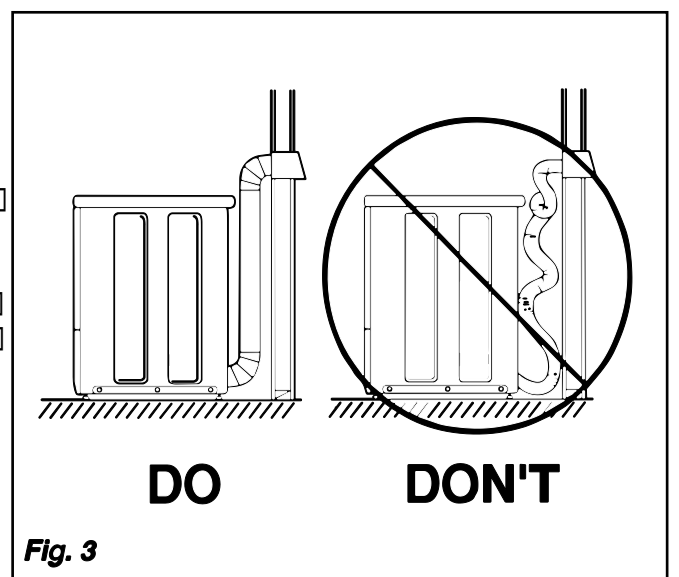
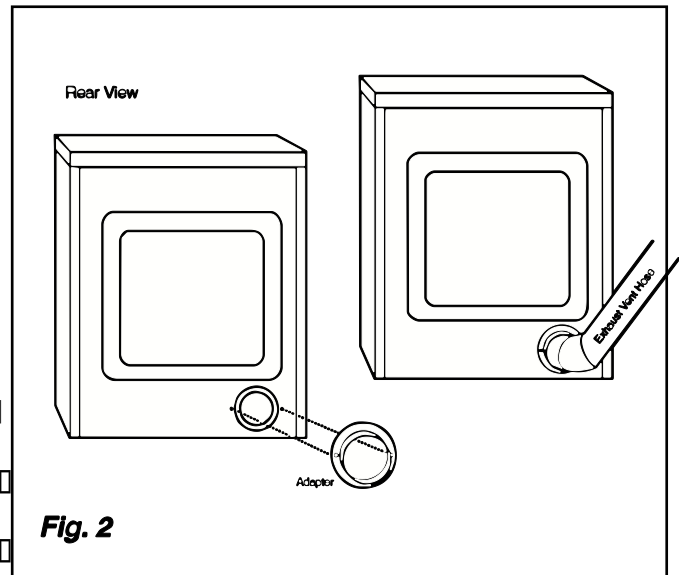
5.9 Use duct tape (not screws) to seal all joints.

5.10 Make sure that the air inlets at the back of the dryer are not blocked and do not allow lint to accumulate around the dryer.

5.11 To level the dryer, adjust the two (2) leveling legs front of the dryer

5.12 Install the lint filter into position, as shown in Fig (4).

5.13 Plug the electrical power cord (supplied with the dryer) into an approved receptacle mounted on the wall adjacent to the dryer.



Never operate the dryer without the lint filter in place.

WALL INSERT OR RECESSED INSTALLATION

7.1 Warning! To reduce the risk of fire, this appliance must be exhausted outdoors.

□

7.2 Minimum clearances between the dryer cabinet and □ adjacent walls or other surfaces are: □

□

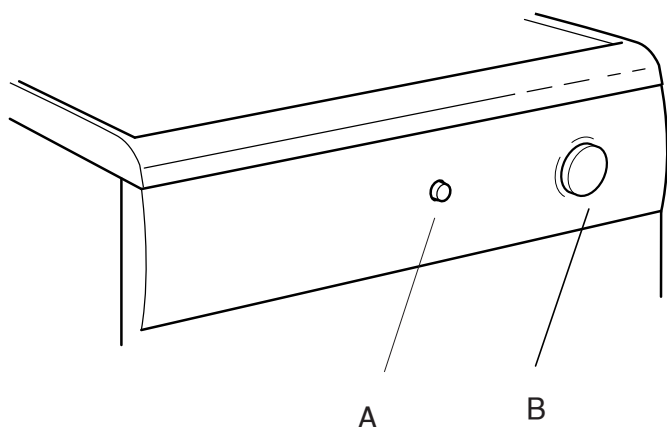
□ **Sides** □ □ **0" (0 cm)** □

□ **Front & Rear** □ □ **3" (7.6 cm)** □

□

7.3 Make sure that the air inlets at the back are not blocked □ and do not allow fluff/lint to accumulate around the dryer

CONTROL PANEL FEATURES



A. START BUTTON □

To start the drying cycle □

□

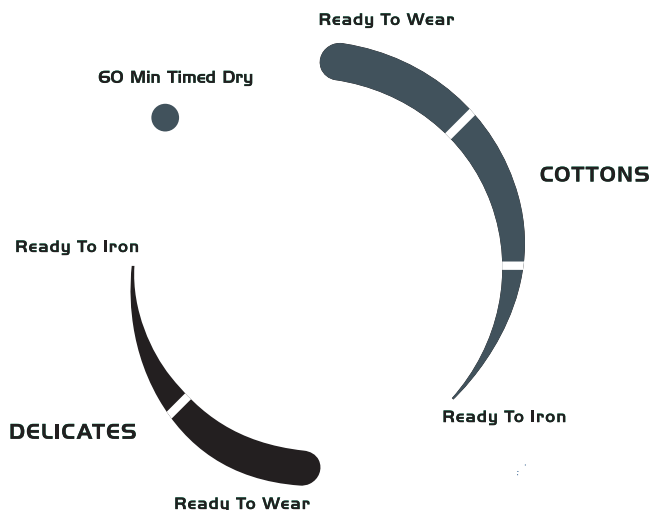
□

B. DRY □ Choose the final dryness of the □
PROGRAMS: load by selecting the desired □
program (see program chart) □

Note: □

The use of a ready-to-iron program will use □
30% less energy than a ready-to-wear □
program.

PROGRAM CHART



OPERATING INSTRUCTIONS

- Open the door.
- Load clothes loosely into the drum.
- Load sheets first, starting with one corner.
- Close the door.
- Dry your hands.
- Plug in the machine.
- Select the final Dry Cycle (see program chart on control panel for recommendations).
- Press Start. The drum begins rotating in a counter-clockwise direction. (If the machine has no load in the drum, it turns off automatically after approximately 40 seconds.)
- The drum will now begin to rotate and will stop automatically when your clothes are dry. The drum pauses and rotates in the other direction every few minutes.




If a load is checked mid-cycle, restart the appliance by closing the door and pressing the start button. When drying large items such as sheets, we suggest you periodically stop the dryer to re-distribute the load.

When drying mixed loads, the dryer may stop when the lighter items are dry. These should be removed and the dryer restarted to allow the heavier items to continue drying.

There is an automatic 12 minute cool down period at the end of every cycle, during which the heater turns off.

The dryer then automatically performs an anticrease cycle to minimize creasing. In this cycle, the dryer tumbles every few minutes.

9.1 Care labels you may find on your fabrics:

	Tumble drying beneficial
	Do not tumble dry
	Dry flat

THINGS TO AVOID

- Do not overload the dryer
- Avoid drying large articles alone as they tend to bundle up, increasing the drying time.
- Do not dry wollen or wool mixture articles unless the article is labelled suitable.
- Do not allow exhaust hose or lint filter to become clogged with lint.
- Do not allow lint to accumulate around the dryer.

TROUBLESHOOTING

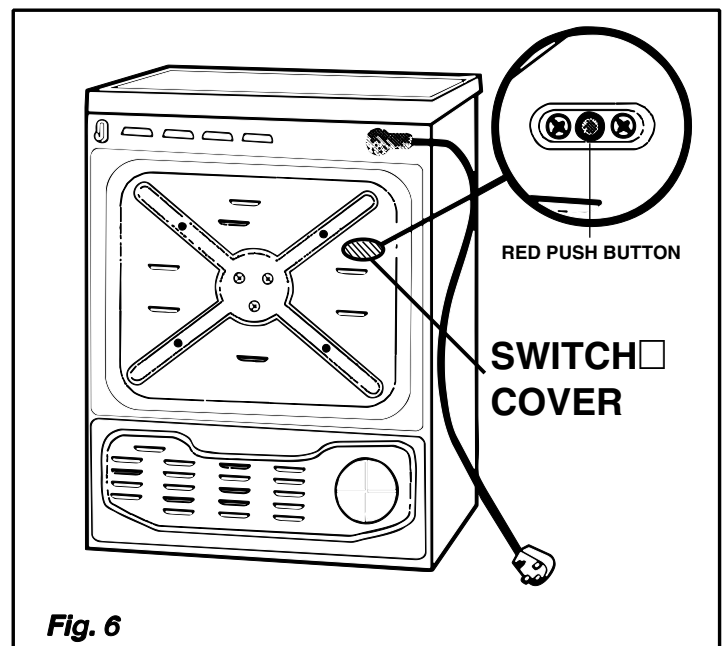
- If the clothes are not dry after normal drying time:
- Make sure the lint filter is clean.
 - Check that you have used the correct program settings.
 - Make sure the exhaust hose is not blocked.

Important note: The dryer is fitted with a reset safety switch. A "red push button" is located near the top right at the back of the dryer (fig 6). To check if the switch has tripped, remove switch cover, press the red button lightly. If the switch has tripped, a sharp "click" will be heard. This safety switch operates (trips) only when the airflow is severely restricted, so it is imperative that the filter be kept clean.

TECHNICAL DATA

- Electrical: 220/240 Volts - 15 Amps
- Heating element: 2,500 Watts
- Drum capacity: 11 lb (5kg)
- Overall dimensions
 - Height: 33.5" (85cm)
 - Width: 23.4" (59.5cm)
 - Depth: 20.8" (53cm)
- Net weight: 68.1lb (31kg)
- Energy Factor: 2.93 lb/kWh (1.33 kg/kWh)

NOTE: A stacking kit is available for this dryer.



**FOR PRODUCT PARTS & SERVICE CALL
(800) 776-3538**



Equator Corporation,
Equator Plaza,
2801 W Sam Houston Pkwy N, Houston, Texas 77043-1611
Phone (800) 935-1955 • Fax (713) 464-2151
Printed in England. All rights reserved.
Manual subject to change without notice