



SL31 Parts Manual

Phase 8

American Dryer Corporation
88 Currant Road
Fall River, MA 02720-4781
Telephone: (508) 678-9000 / Fax: (508) 678-9447
E-mail: techsupport@amdry.com

www.amdry.com

Retain This Manual In A Safe Place For Future Reference

This product embodies advanced concepts in engineering, design, and safety. If this product is properly maintained, it will provide many years of safe, efficient, and trouble free operation.

ONLY properly licensed technicians should service this equipment.

OBSERVE ALL SAFETY PRECAUTIONS displayed on the equipment or specified in the installation manual included with the dryer.

The following "FOR YOUR SAFETY" caution must be posted near the dryer in a prominent location.

FOR YOUR SAFETY

Do not store or use gasoline or other flammable vapors and liquids in the vicinity of this or any other appliance.

POUR VOTRE SÉCURITÉ

Ne pas entreposer ni utiliser d'essence ni d'autres vapeurs ou liquides inflammables à proximité de cet appareil ou de tout autre appareil.

We have tried to make this manual as complete as possible and hope you will find it useful. The manufacturer reserves the right to make changes from time to time, without notice or obligation, in prices, specifications, colors, and material, and to change or discontinue models.

Important

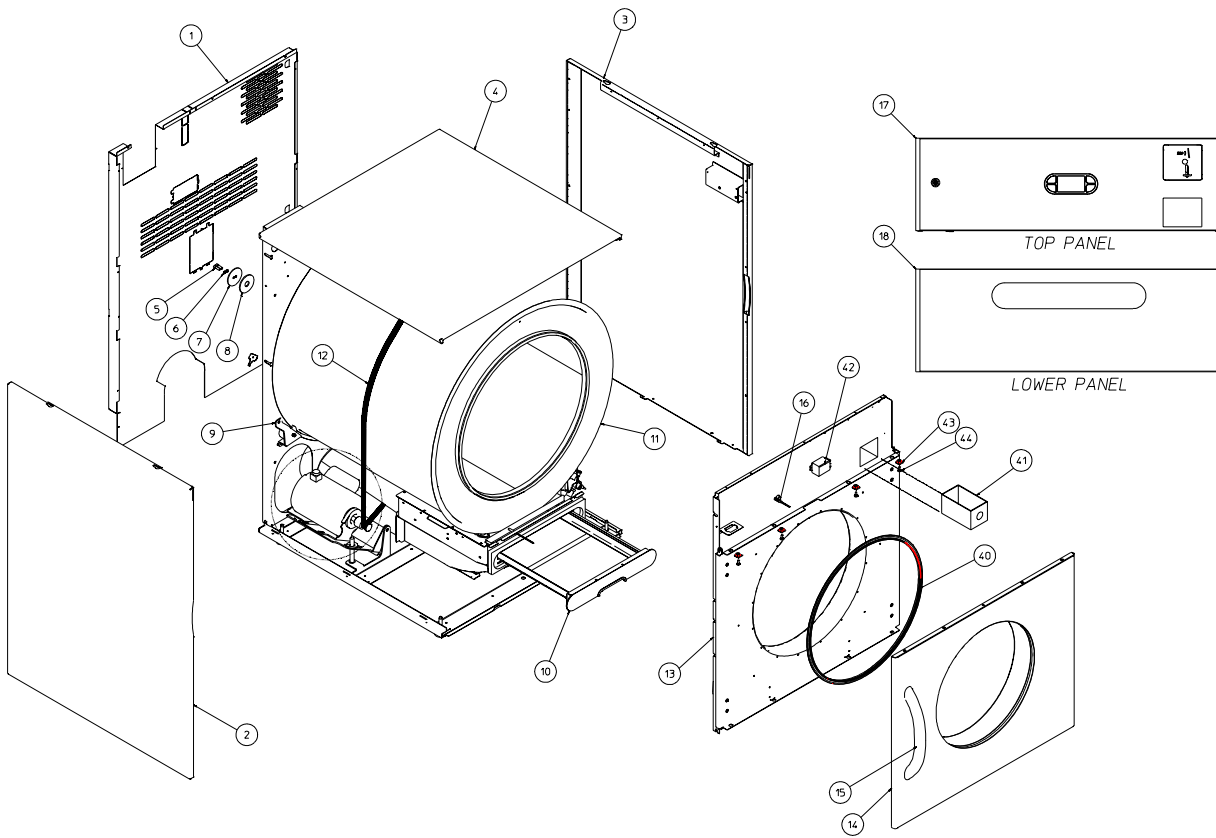
For your convenience, log the following information:

DATE OF PURCHASE _____ MODEL NO. **SL31**

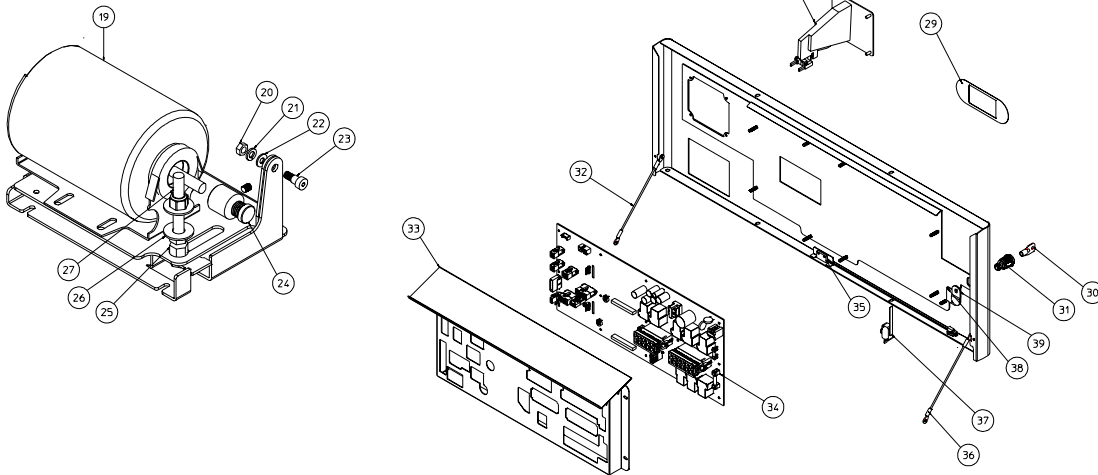
RESELLER'S NAME _____

Serial Number(s) _____

Parts Diagram



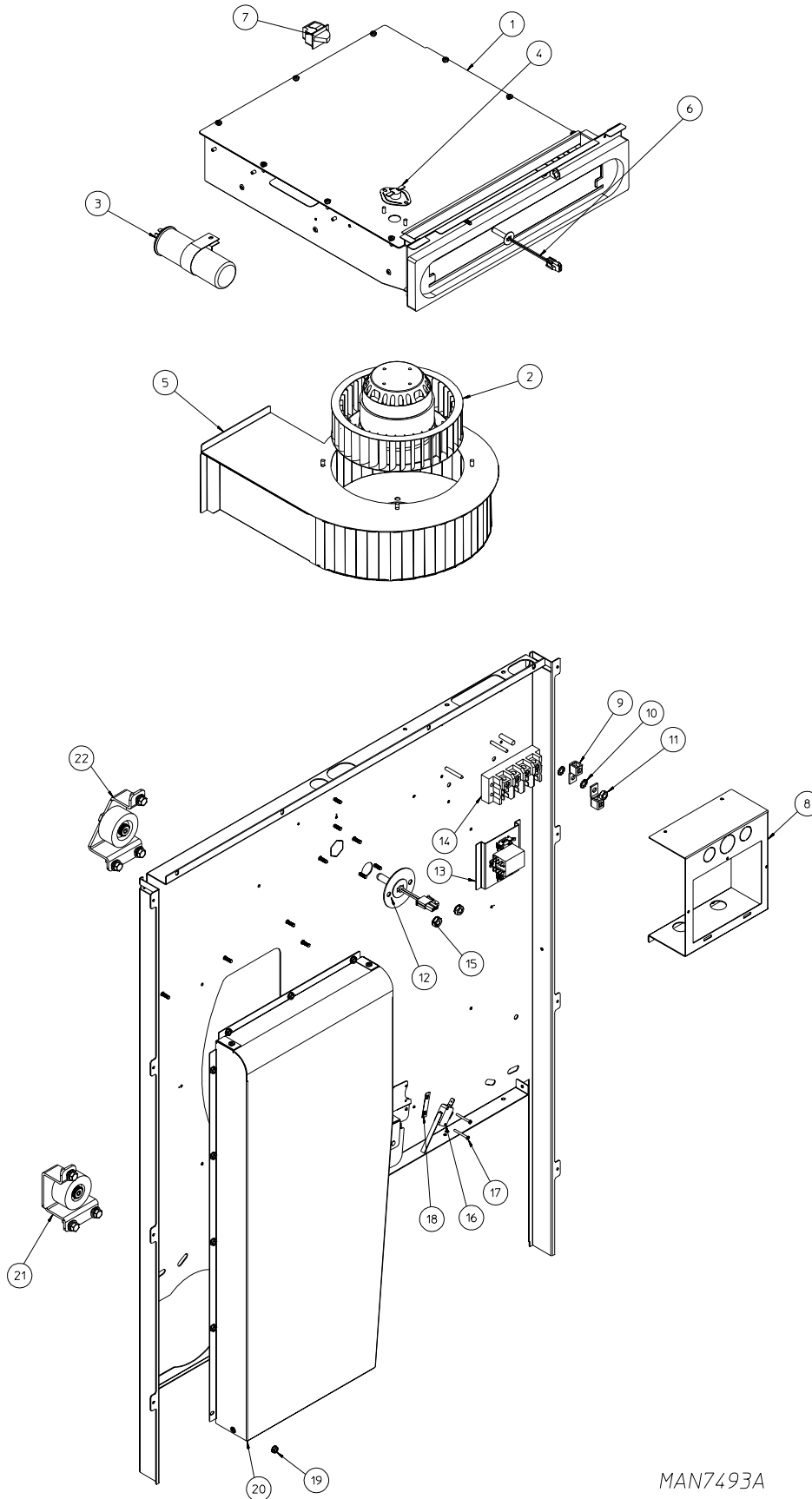
MAN7418A



Illus. No.	Part No.	Qty.	Description
1	818925	1	Back Guard Assembly (Gas and Electric) (For models mfd. as of December 7, 2005)
	818683	1	Back Guard Assembly (Gas and Electric) (For models mfd. prior to December 7, 2005)
	819622	1	Back Guard Assembly (Steam)
2	819619	1	Left Side Panel Assembly (For models mfd. as of December 7, 2005)
	818679	1	Left Side Panel Assembly (For models mfd. prior to December 7, 2005)
3	819621	1	Right Side Panel Assembly (For models mfd. as of December 7, 2005)
	818678	1	Right Side Panel Assembly (For models mfd. prior to December 7, 2005)
	102373	1	Inner Friction Pad (Steam)
4	818690	1	Outer Top Panel Assembly
5	150445	2	1/4-20 x 3/4" Bolt
6	153072	2	Spring Washer
7	318891	1	Backup Washer
8	153048	1	Inner Friction Pad (Gas and Electric)

<u>Illus. No.</u>	<u>Part No.</u>	<u>Qty.</u>	<u>Description</u>
9	818110	1	Front Right / Rear Left Wheel
	818109	1	Front Left / Rear Right Wheel
10	819288	1	Lint Screen Assembly (Painted)
	819315	1	Lint Screen Assembly (Stainless Steel)
11	819849	1	Tumbler Assembly (Galvanized) (For models mfd. as of March 12, 2008)
	818815	1	Tumbler Assembly (Galvanized) (For models mfd. prior to March 12, 2008)
	819850	1	Tumbler Assembly (Stainless Steel) (For models mfd. as of July 18, 2008)
	819398	1	Tumbler Assembly (Stainless Steel) (For models mfd. prior to July 18, 2008)
12	102407	1	Belt
13	819627	1	Front Panel Assembly Right Hinge (Coin)
	819361	1	Front Panel Assembly Right Hinge (Non-Coin) 60 Hz
	818995	1	Front Panel Assembly Right Hinge (Non-Coin) 50 Hz
	102004	2	Magnet
	102005	2	Magnet Blank
	152224	4	Magnet Screw
	400563	1	Magnet Removal Bit
	14	819301	1
819388		1	Door Assembly Right Hinge (Stainless Steel)
819700		1	Door Assembly Left Hinge (White)
819387		1	Door Assembly Left Hinge (Stainless Steel)
103067		2	Door Hinge
15	170233	1	Handle
16	819194	1	Rotation Sensor Assembly
17	819511	1	Phase 8 Control Door Assembly (25¢ Coin)
	819633	1	Phase 8 Control Door Assembly (Programmable – Euro)
	819507	1	Phase 8 Control Door Assembly (Non-Coin)
18	185097	1	Toe Panel (White)
	185048	1	Toe Panel (Stainless Steel)
19	887215	1	1/4 hp Motor with Sheave – 60 Hz (For models mfd. with a 3 rib tumbler)
	884288	1	1/4 hp Motor with Sheave – 60 Hz (For models mfd. with a 4 rib tumbler)
	887030	1	1/4 hp Motor with Sheave – 50 Hz (For models mfd. as of September 1, 2005)
	818485	1	Motor Assembly (For models mfd. prior to September 1, 2005)
20	152004	2	5/16-18 Hex Nut
21	153002	2	5/16" Split Lock Washer
22	153018	2	1/4" Flat Washer
23	154266	2	3/8" x 3/8" (5/16-18) Screw
24	319933	1	Motor Sheave – 60 Hz (For models mfd. with 3 rib tumblers)
	318909	1	Motor Sheave – 60 Hz (For models with with 4 rib tumbler)
	185067	1	Motor Sheave – 50 Hz
25	152011	1	1/2-13 Hex Nut
	152028	1	1/2-13 Nylon Insert Locknut
26	153011	1	9/16" ID, 1-3/8" OD Flat Washer
27	150609	1	1/2-13 x 4-1/2" Tap Bolt
28	818213	1	Coin Acceptor (25¢ Coin)
	819264	1	Coin Acceptor (Programmable – Euro)
29	112587	1	Keypad (Coin)
	112586	1	Keypad (Non-Coin)
30	160140	1	Key
31	160071	1	Lock (For models mfd. as of February 28, 2007)
	160038	1	Lock (For models mfd. prior to February 28, 2007)
32	121530	1	Computer Support Cable
33	350250	1	Phase 8 Control Cover
34	887102	1	Phase 8 Computer (For models mfd. without the "S.A.F.E. System")
	887103	1	Phase 8 Computer (For models mfd. with the "S.A.F.E. System")
	136116	1	3-amp Fuse
	136054	1	15-amp Fuse
35	819196	1	Door Switch Assembly
36	121350	1	Computer Support Cable
37	122200	1	Program Switch (For models mfd. prior to February 28, 2007)
38	154004	1	Twin Speed Nut (For models mfd. prior to February 28, 2007)
39	160066	1	1-1/8" Long Cam (For models mfd. prior to February 28, 2007)
40	102396	1	Door Gasket
41	125916	1	Coin Box Assembly with 2 Keys
42	131819	1	Reversing Contactor
43	154061	8	U-Nut Retainer
44	183129	8	T-20 Truss Head Machine Screw

Parts Diagram

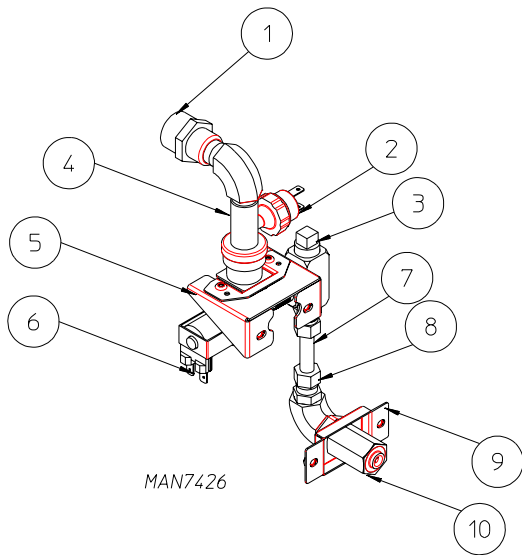


MAN7493A

<u>Illus. No.</u>	<u>Part No.</u>	<u>Qty.</u>	<u>Description</u>
1	825569	1	Lint Box / Blower Assembly Complete 120V 60 Hz (For models mfd. as of September 1, 2006)
	819193	1	Lint Box / Blower Assembly Complete 120V 60 Hz (For models mfd. prior to September 1, 2006)
	822356	1	Lint Box / Blower Assembly Complete 200-240V 60 Hz (For models mfd. as of June 14, 2006)
	819233	1	Lint Box / Blower Assembly Complete 200-240V 60 Hz (For models mfd. prior to June 14, 2006)
	819233	1	Lint Box / Blower Assembly Complete 200-240V 50 Hz (For models mfd. prior to June 14, 2006 and as of December 20, 2006)
	819193	1	Lint Box / Blower Assembly Complete 208-240V 50 Hz with Transformer (For models mfd. between October 25, 2006 and December 20, 2006)
	822356	1	Lint Box / Blower Assembly Complete 200-240V 50 Hz (For models mfd. between June 14, 2006 and October 24, 2006)
2	851242	1	Blower Motor Assembly 120V 60 Hz (For models mfd. as of September 1, 2006)
	819185	1	Blower Motor Assembly 120V 60 Hz (For models mfd. prior to September 1, 2006)
	851243	1	Blower Motor Assembly 200-240V 60 Hz (For models mfd. as of July 14, 2006)
	819232	1	Blower Motor Assembly 200-240V 60 Hz (For models mfd. prior to June 14, 2006)
	819232	1	Blower Motor Assembly 200-240V 50 Hz (For models mfd. prior to June 14, 2006 and as of December 21, 2006)
	819185	1	Blower Motor Assembly 200-240V 50 Hz with Transformer (For models mfd. between October 25, 2006 and December 20, 2006)
	851243	1	Blower Motor Assembly 200-240V 50 Hz (For models mfd. between June 14, 2006 and October 24, 2006)
3	100618	1	20 MFD Capacitor 120V (For models mfd. as of September 1, 2006)
	100639	1	32 MFD Capacitor 120V (For models mfd. prior to September 1, 2006)
	100638	1	8 MFD Capacitor 200-240V (For models mfd. prior to June 14, 2006 and as of December 21, 2006)
	100670	1	5 MFD Capacitor 200-240V (For models mfd. between June 14, 2006 and October 24, 2006)
	100639	1	32 MFD Capacitor 200-240V with Transformer (For models mfd. between October 25, 2006 and December 20, 2006)
4	130119	1	L190 Automatic Thermostat
5	185084	1	Blower Housing Formed with Back Draft Damper
	818545	1	Blower Housing Made In-House
6	830333	1	Exhaust Temperature Sensor Assembly (For models mfd. as of February 19, 2008)
	818986	1	Exhaust Temperature Sensor Assembly (For models mfd. prior to February 19, 2008)
7	122003	1	Lint Drawer Switch
8	318993	1	Rear Electrical Box (Gas and Steam)
	319327	1	Rear Electrical Box (Electric)
	318727	1	Rear Electrical Box Cover
9	121010	1	Terminal Lug
10	153021	1	1/4" Shakeproof Washer
11	152002	1	1/4-20 Hex Nut
12	819188	1	Axial Temperature Sensor Assembly
13	819648	1	Split Phase Relay Assembly
	131818	1	25-amp 240V Relay
	136054	2	15-amp Slo-Blo Fuse
	136008	2	Fuse Holder
14	120728	1	Quick-Connect Terminal Block (For Gas and Steam Models)
	120699	2	Terminal Block (For Electric Models)
	120698	2	Terminal Block Insulator (For Electric Models)
15	153073	2	#8-32 KEPS Nut
16	122200	2	Sail Switch
17	150025	2	#4-40 x 1" Phillips Screw
18	154004	1	Twin Speed Nut
19	153073	14	#8-32 KEPS Nut
20	819113	1	Heat Duct with Sail Switch Assembly
21	818109	1	Front Left / Rear Right Wheel (Parts Breakdown on page 10)
22	818110	1	Front Right / Rear Left Wheel (Parts Breakdown on page 10)

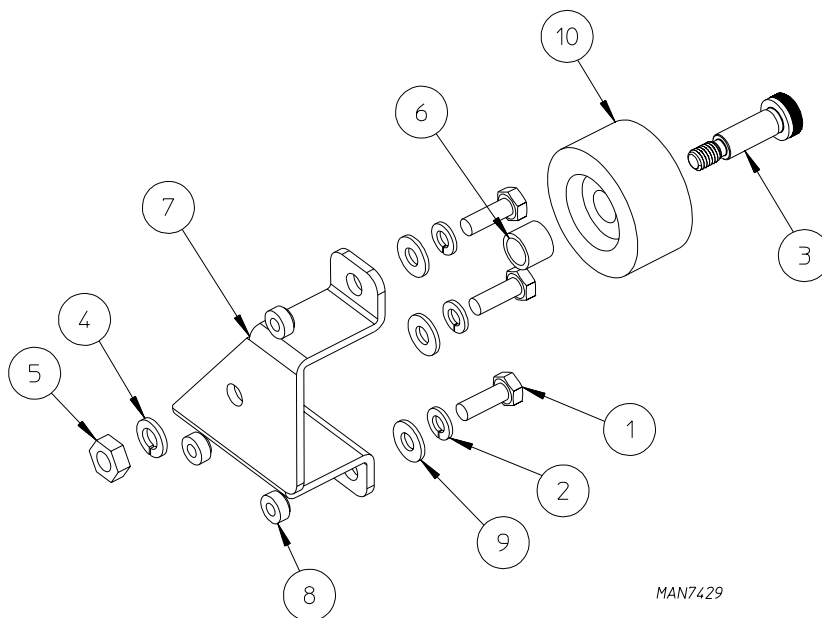
<u>Illus. No.</u>	<u>Part No.</u>	<u>Qty.</u>	<u>Description</u>
1	819314	1	Burner Assembly
	819313	1	Burner Chamber
2	183112	1	Thermostat, Gas High-Limit
3	183144	1	Inshot Burner Tube, Hot Surface Ignition
4	128944	1	Gas Valve 120 VAC 60 Hz
	128907	1	Gas Valve 120 VAC 50 Hz
	884254	1	Liquid Propane Conversion Kit
5	141318	1	3/8" 90° Union Shutoff
6	140880	1	Natural Gas #22 Burner Orifice
	140905	1	Liquid Propane Gas #44 Burner Orifice
7	128910	1	Globar®
8	183145	1	#8-32 x 7/8" Hex Screw with Washer
9	130500	1	Radiant Control
10	185096	1	3/8" N.P.T. Male 90° Gas Pipe
	142953	1	1/2" x 3/8" N.P.T. Reducer ... Not Illustrated
	142954	1	3/8" B.S.P.T. Coupling ... Not Illustrated
11	819579	1	Steam Valve Assembly 120V
	819545	1	Steam Valve Assembly 208-240V
12	165066	1	Copper Steam Coil
13	183112	1	High-Limit Thermostat
14	119995	1	Electric Element
15	819712	1	120V to 24V Transformer
	819251	1	208V to 24V Transformer
	819267	1	240V to 24V Transformer
	132029	1	208-240V to 120V Transformer
16	131352	1	40-amp 24V Contactor
	131357	1	50-amp 24V Contactor
	131321	1	30-amp 120V Contactor
	131325	1	50-amp 120V Contactor
	131324	1	40-amp 208-240V Contactor
	131328	1	60-amp 208-240V Contactor

S.A.F.E. System Assembly Parts Diagram / List

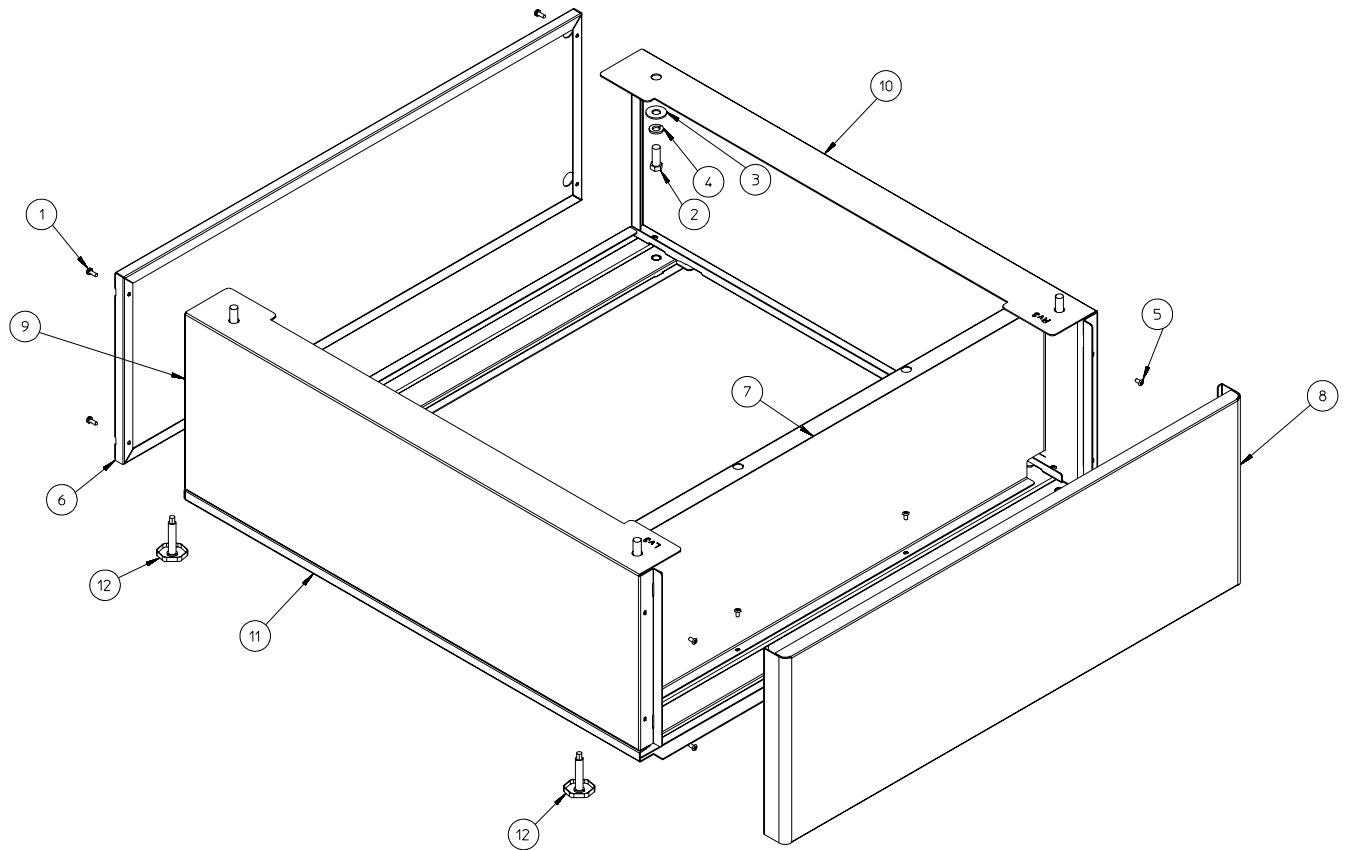


<u>Illus. No.</u>	<u>Part No.</u>	<u>Qty.</u>	<u>Description</u>
1	143025	1	3/8" x 3/4" NH Adaptor (For U.S. and Canada)
	143177	1	3/8" x 3/4" B.S.P.T. Adaptor (For Euro. Countries)
2	136987	1	Pressure Switch
3	143251	1	3/8" Plug
4	143182	1	Brass Tee
5	319231	1	Support Bracket
6	165120	1	Water Valve
7	143099	1	3/8" OD Copper Tubing
8	143208	1	3/8" Brass Connector
9	318422	1	S.A.F.E. Bracket
10	143581	1	Spray Nozzle

Wheel Assembly Parts Diagram / List



<u>Illus. No.</u>	<u>Part No.</u>	<u>Qty.</u>	<u>Description</u>
1	150510	3	1/4-20 x 3/4" Hex Head Machine Bolt
2	153007	3	1/4" Lock Washer
3	154267	1	M10 x 25mm Shoulder Screw
4	153002	1	5/6" Lock Washer
5	154013	1	M8 Hex Nut
6	154284	1	Tumbler Wheel Spacer
7	318233	1	Rear Right Roller Wheel Bracket
	318232	1	Rear Left Roller Wheel Bracket ... Not Illustrated
	318532	1	Front Right Roller Wheel Bracket ... Not Illustrated
	318531	1	Front Left Roller Wheel Bracket ... Not Illustrated
8	153564	3	1/4-20 Clinch Nut
9	153018	3	1/4" Flat Washer
10	180050	1	Wheel



MAN7474

<u>Illus. No.</u>	<u>Part No.</u>	<u>Qty.</u>	<u>Description</u>
—	185384*	2	11" Stackable Pedestal Assembly

Bottom pedestal shown. Duplicate parts for top assembly.

<u>Illus. No.</u>	<u>Part No.</u>	<u>Qty.</u>	<u>Description</u>
1	150331	4	#8-18 x 1/2" Pan Head TORX Screw
2	150617	4	3/8"-16 x 1" Hex Head Machine Bolt
3	153004	4	3/8" x 1" O.D. Flat Washer
4	153005	4	3/8" Split Lock Washer
5	154200	10	5/32" Pop Rivet
6	319598*	1	11" Pedestal Back
7	319599*	1	Pedestal Inner Support
8	319600*	1	11" Pedestal Front
9	319601*	1	11" Pedestal Left Side
10	310602*	1	11" Pedestal Right Side
11	851416*	1	Pedestal Base
12	103500	4	Leveling Leg (Lower Pedestal Only)

* Specify color when ordering.

