



SL20/CG20 Parts Manual Phase 7 COIN & NON-COIN (OPL)

American Dryer Corporation
88 Currant Road
Fall River, MA 02720-4781
Telephone: (508) 678-9000 / Fax: (508) 678-9447
E-mail: techsupport@amdry.com
www.amdry.com

Retain This Manual In A Safe Place For Future Reference

American Dryer Corporation products embody advanced concepts in engineering, design, and safety. If this product is properly maintained, it will provide many years of safe, efficient, and trouble free operation.

ONLY qualified technicians should service this equipment.

OBSERVE ALL SAFETY PRECAUTIONS displayed on the equipment or specified in the installation manual included with the dryer.

The following “**FOR YOUR SAFETY**” caution **must be** posted near the dryer in a prominent location.

FOR YOUR SAFETY

Do not store or use gasoline or other flammable vapors and liquids in the vicinity of this or any other appliance.

POUR VOTRE SÉCURITÉ

Ne pas entreposer ni utiliser d'essence ni d'autres vapeurs ou liquides inflammables à proximité de cet appareil ou de tout autre appareil.

We have tried to make this manual as complete as possible and hope you will find it useful. **ADC** reserves the right to make changes from time to time, without notice or obligation, in prices, specifications, colors, and material, and to change or discontinue models.

Important

For your convenience, log the following information:

DATE OF PURCHASE _____ **MODEL NO.** _____

RESELLER'S NAME _____

Serial Number(s) _____

Replacement parts can be obtained from your reseller or the **ADC** factory. When ordering replacement parts from the factory, you can FAX your order to **ADC** at (508) 678-9447 or telephone your order directly to the **ADC** Parts Department at (508) 678-9000. Please specify the dryer **model number** and **serial number** in addition to the **description** and **part number**, so that your order is processed accurately and promptly.

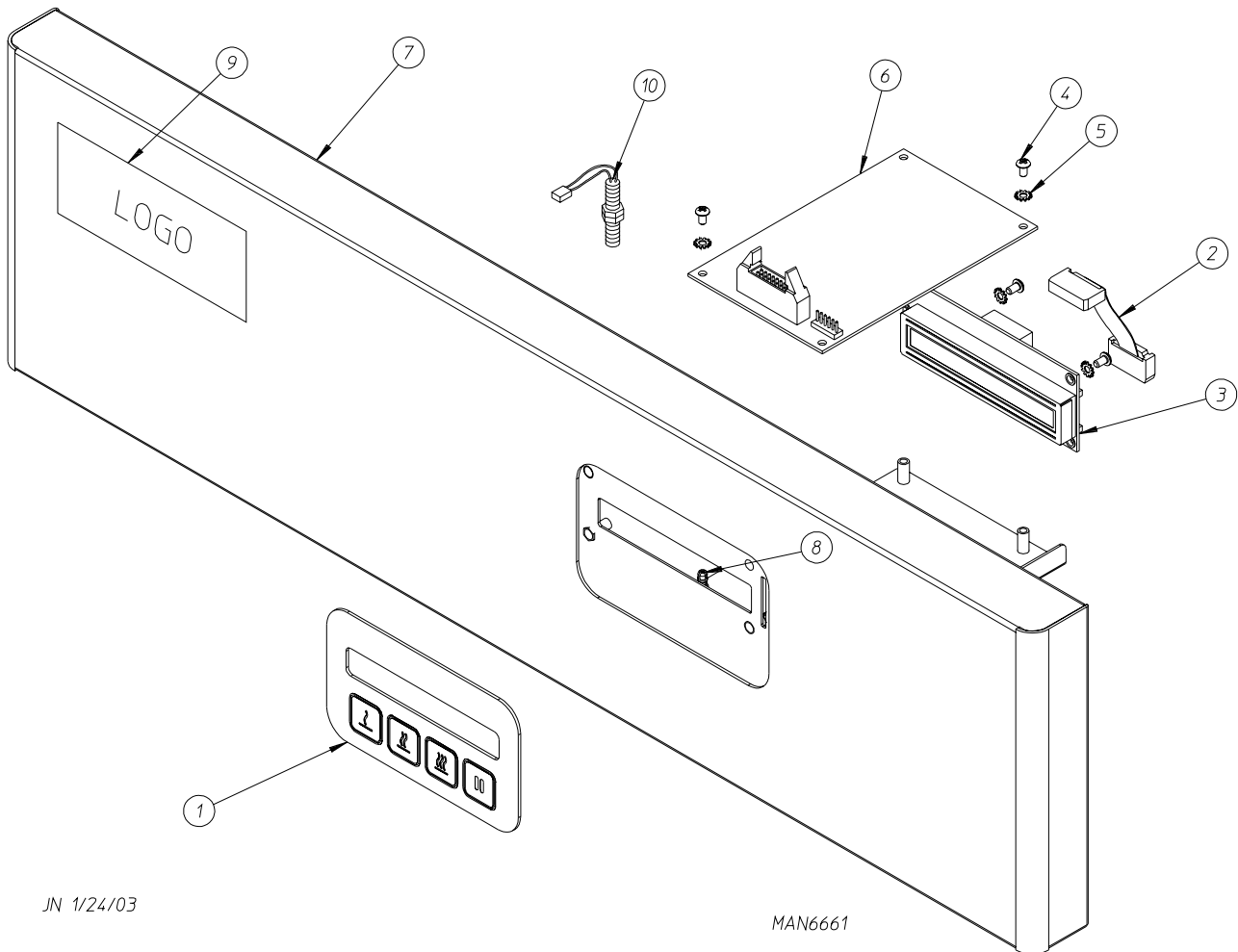
The illustrations on the following pages may not depict your particular dryer exactly. The illustrations are a composite of the various dryer models. Be sure to check the descriptions of the parts thoroughly before ordering.

“IMPORTANT NOTE TO PURCHASER”

Information **must be** obtained from your local gas supplier on the instructions to be followed if the user smells gas. These instructions **must be** posted in a prominent location near the dryer.

Table of Contents

Phase 7 OPL Top Panel Assembly	
For Top Control Models	2
Phase 7 Coin Top Panel Assembly	
For Top Control Models	3
Phase 7 Top Panel Assembly	
For Bottom Control Models	4
Front Bottom Panel Assembly	5
Main Door Assemblies	6
Middle Front Panel Assembly	7
Lint Drawer Assembly	8
Basket (Tumbler) Assembly	9
Front Basket (Tumbler)/Support Panel Assembly	10
Rear Support Panel Assembly	11
Basket (Tumbler) Roller Wheel Assemblies	12
S.A.F.E. System Piping Assembly	13
Temperature Sensor Assemblies	14
Motor Drive Assembly	15
Direct Spark Ignition (DSI) Burner Assembly	16, 17
Electric Oven Assembly	18
Lint Box/Blower Motor Assembly	19
Blower Assembly	20
Blower Motor Assembly	21
Rear Electrical Panel Assembly	
For Gas Models Only	22
Rear Electrical Panel Assembly	
For Electric Models Only	23
Heat Duct Assembly	24
Sail Switch Assembly	25
Base/Top/Sides/Back Guard Assemblies	26
Pedestal Box Option	27
Additional Parts Available	28



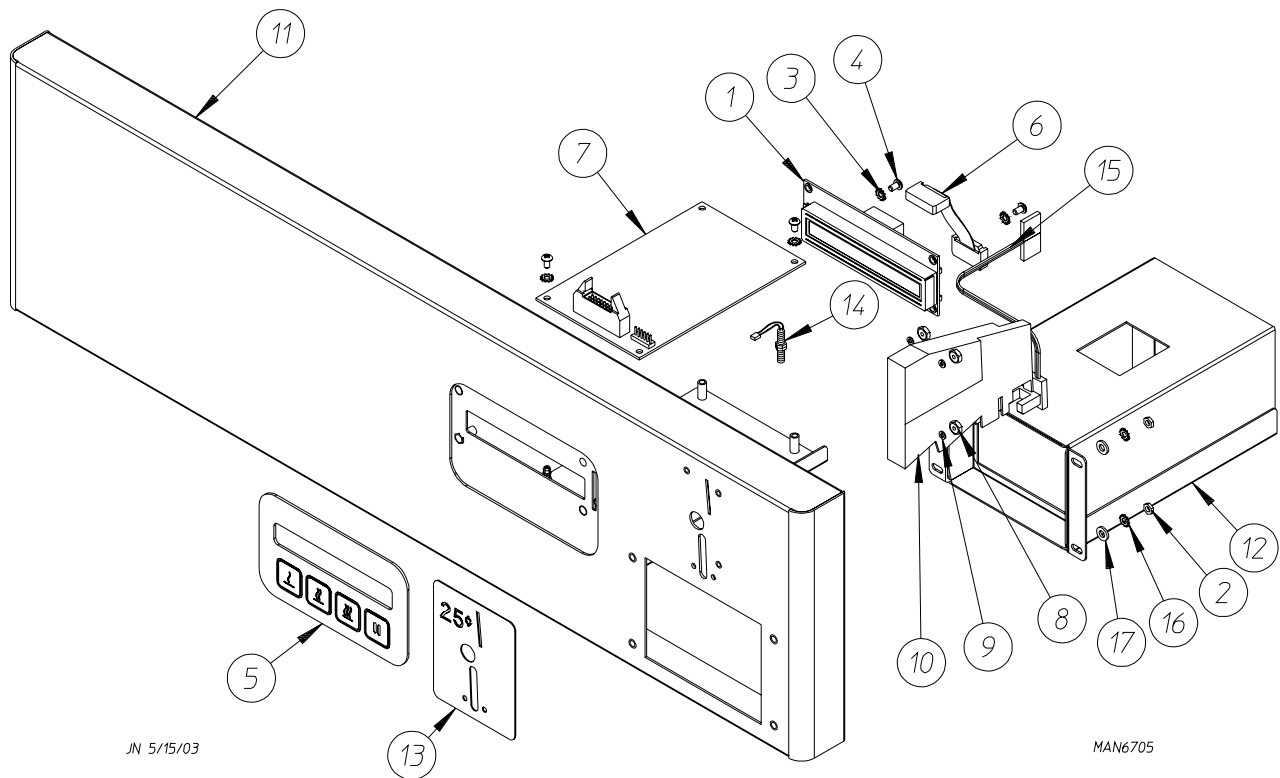
JN 1/24/03

MAN6661

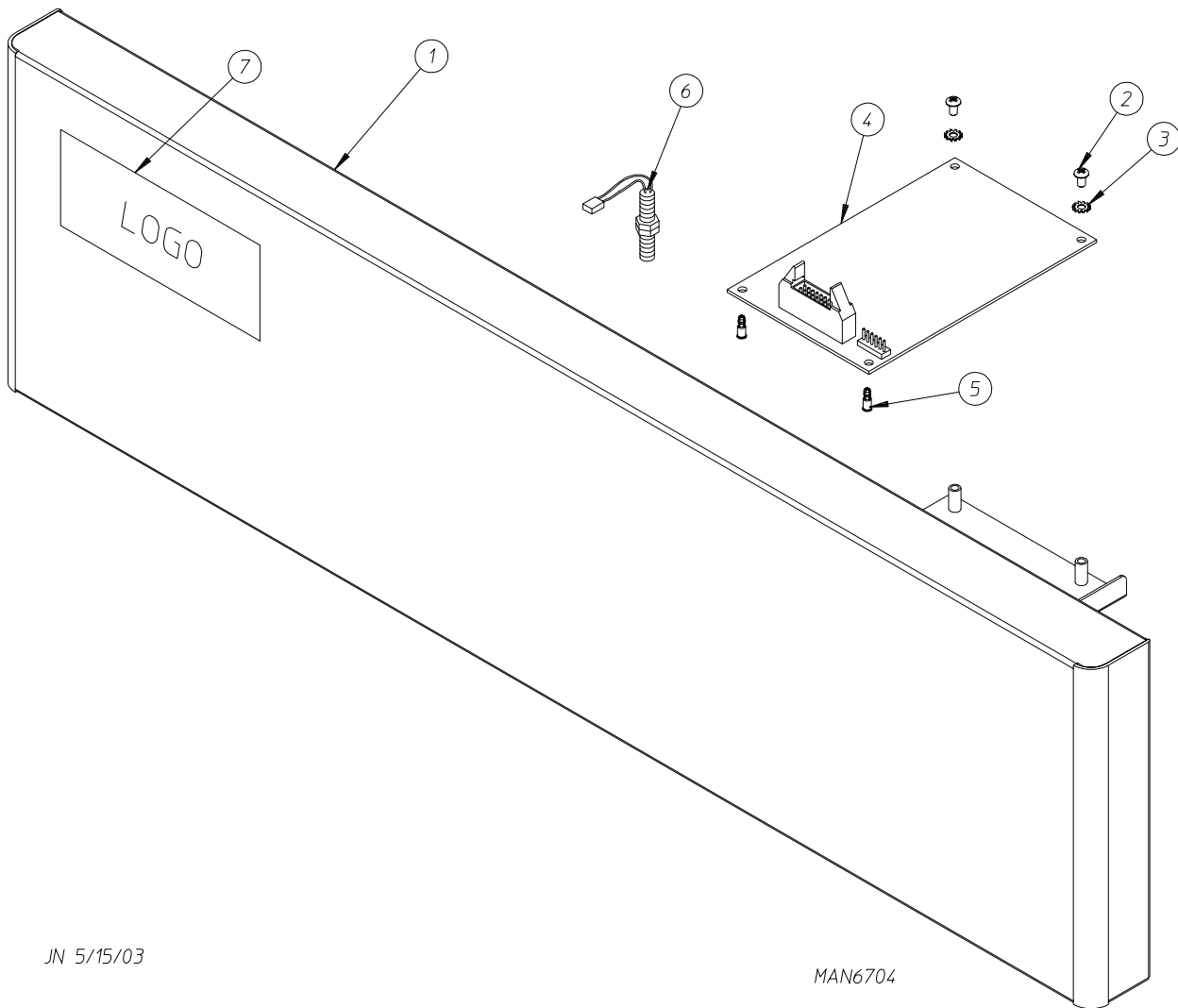
<u>Illus. No.</u>	<u>Part No.</u>	<u>Qty.</u>	<u>Description</u>
1	112579	1	Phase 7 Keyboard
2	137250	1	Phase 7 Ribbon Cable
3	137270	1	16" x 1" Large Character Display
4	150005	4	#6-32 x 1/4" Phillips Round Head Machine Screw
5	153010	4	#6 Star Washer
6	883434	1	Phase 7 Board with Sensor Activated Fire Extinguishing (S.A.F.E.) System
7	818173	1	SL-20 Black Control Panel
	818196	1	CG-20 Black Control Panel
8	153603	8	Snap Top Standoff
9	-----*	1	Logo ONLY
10	818206	1	Magnetic Switch Assembly

* Contact reseller for logo.

For Top Control Models



<u>Illus. No.</u>	<u>Part No.</u>	<u>Qty.</u>	<u>Description</u>
1	137270	1	16" x 1" Large Character Display
2	152015	4	8-32 Hex Nut
3	153010	4	#6 Internal and External Star Washer Zinc
4	150005	4	6-32 x 1/4" Phillips Round Head Machine Screw
5	112579	1	Phase 7 Keypad
6	137250	1	Phase 7 Ribbon Cable
7	887007	1	Phase 7 Coin Board (without S.A.F.E.)
	887009	1	Phase 7 Coin Board (with S.A.F.E.)
8	152016	5	4-40 1/4" Hex Nut
9	153045	5	4 Split Lock Washer
10	883783	1	\$0.25 US Coin Acceptor
	883784	1	\$0.25 Canadian Coin Acceptor
	883785	1	0.880 x 0.062 Token Optic Coin Acceptor
	883786	1	0.880 x 0.07 Token Optic Coin Acceptor
	883787	1	100 Yen Optic Coin Acceptor
11	818181	1	Upper Control Panel (Black)
12	818132	1	Coin Vault
13	318538	1	Faceplate for US Coin
14	818206	1	Magnetic Switch
15	883774	1	Optic Switch

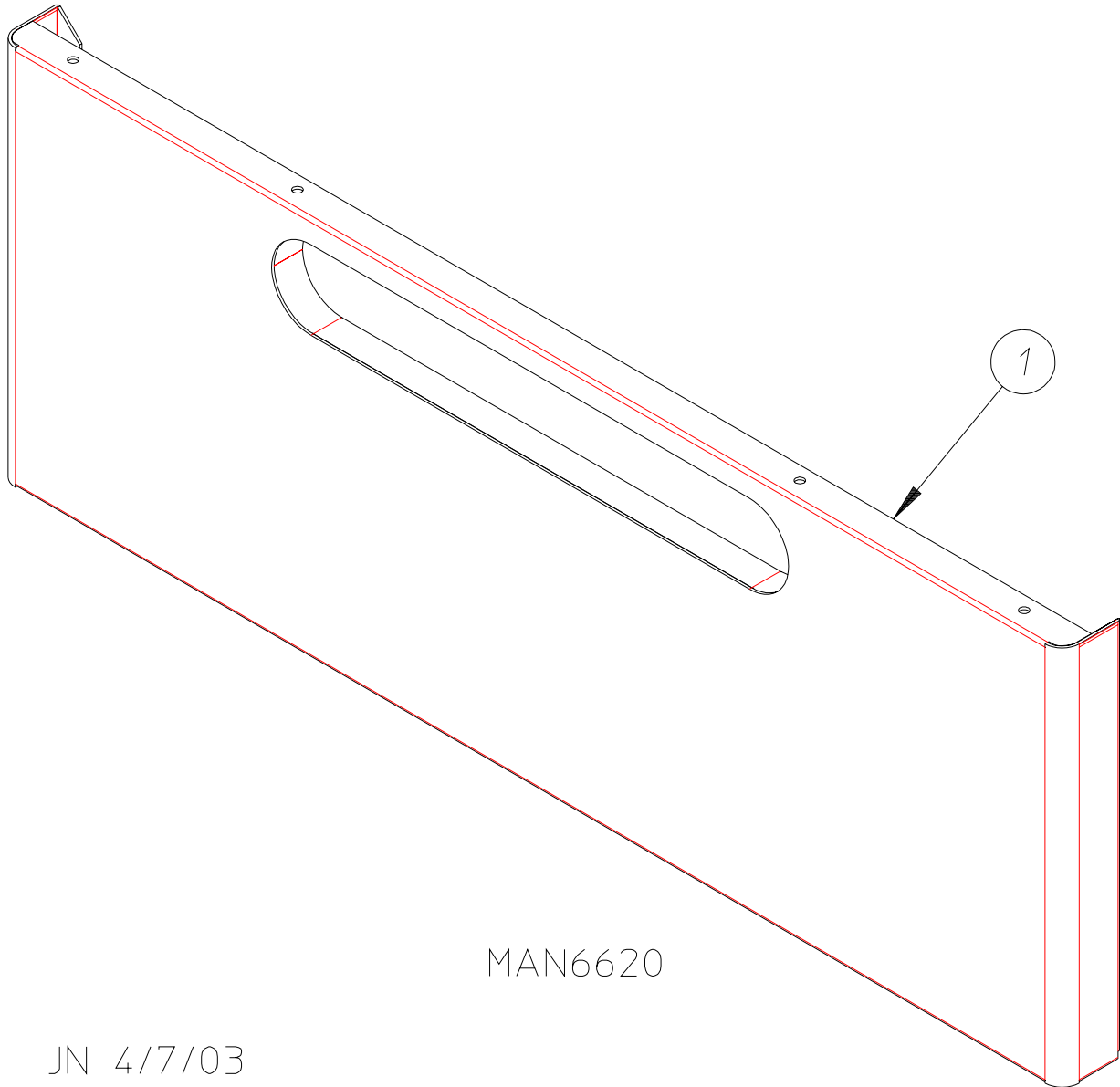


JN 5/15/03

MAN6704

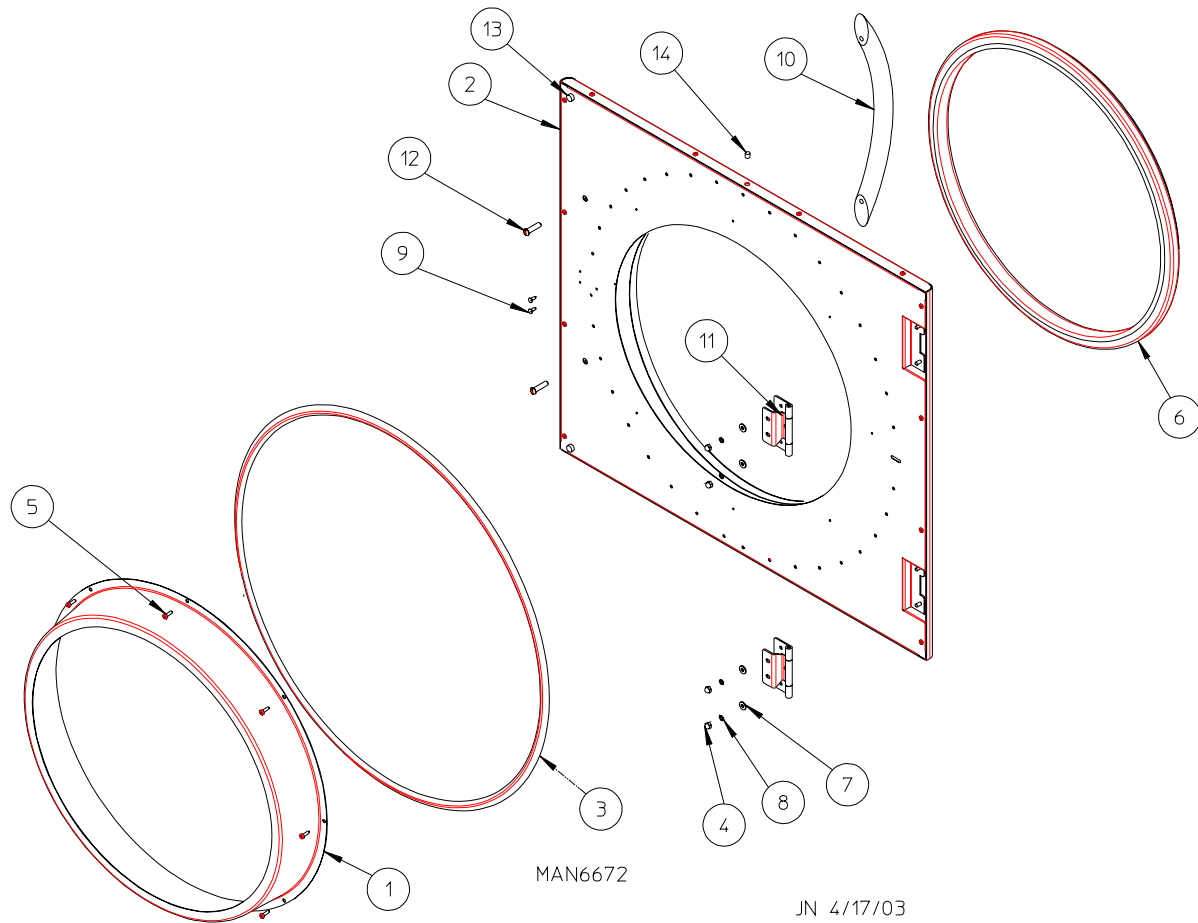
<u>Illus. No.</u>	<u>Part No.</u>	<u>Qty.</u>	<u>Description</u>
1	818431	1	SL-20 Black Control Panel
2	150005	4	#6-32 x 1/4" Phillips Round Head Machine Screw
3	153010	4	#6 Star Washer
4	887009	1	Phase 7 Board with Sensor Activated Fire Extinguishing (S.A.F.E.) System
5	153603	4	Snap Top Standoff
6	818206	1	Magnetic Switch Assembly
7	-----*	1	Logo ONLY

* Contact reseller for logo.

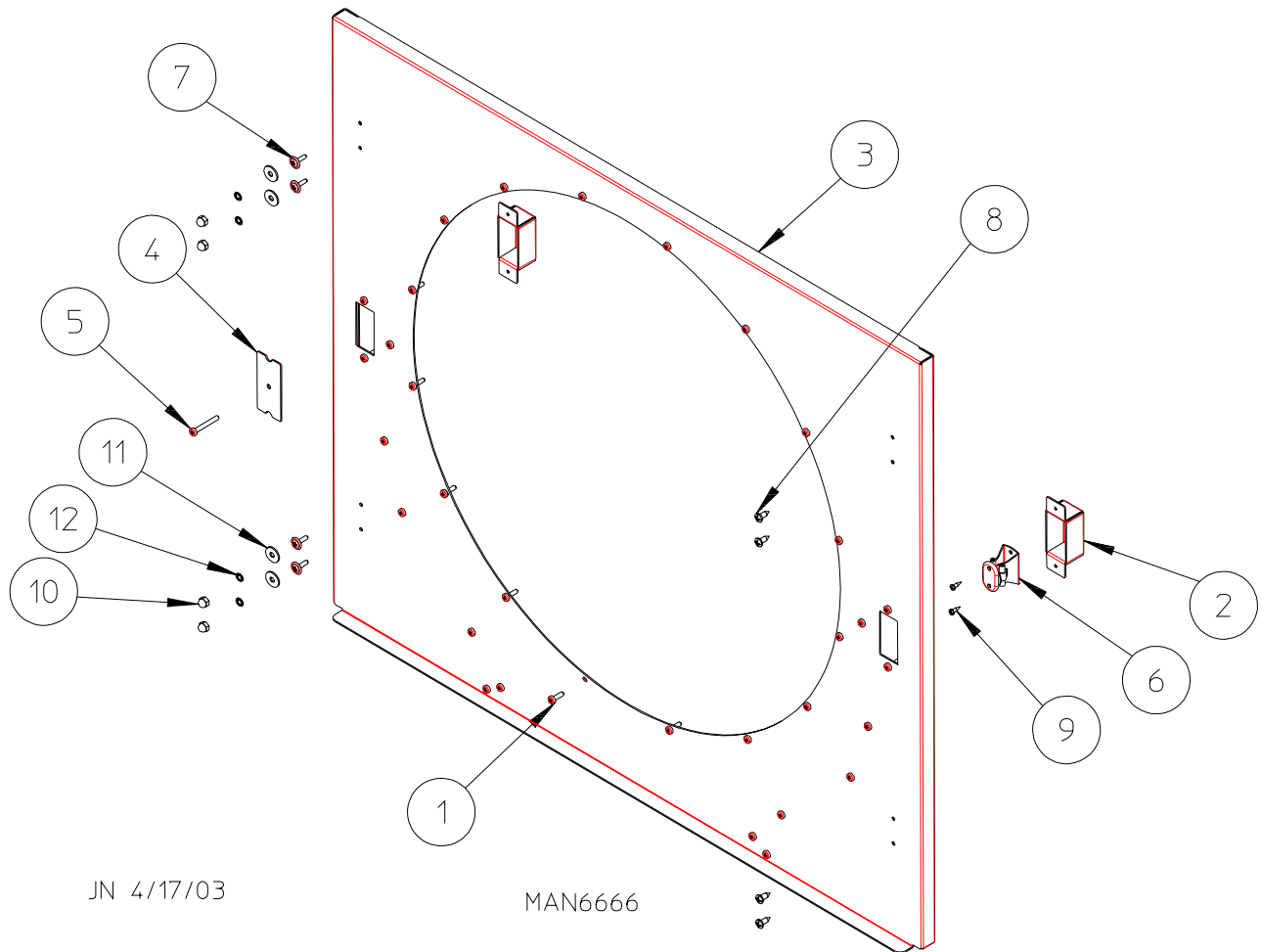


<u>Illus. No.</u>	<u>Part No.</u>	<u>Qty.</u>	<u>Description</u>
1	818165*	1	Front Bottom Panel Assembly

* Specify color when ordering.



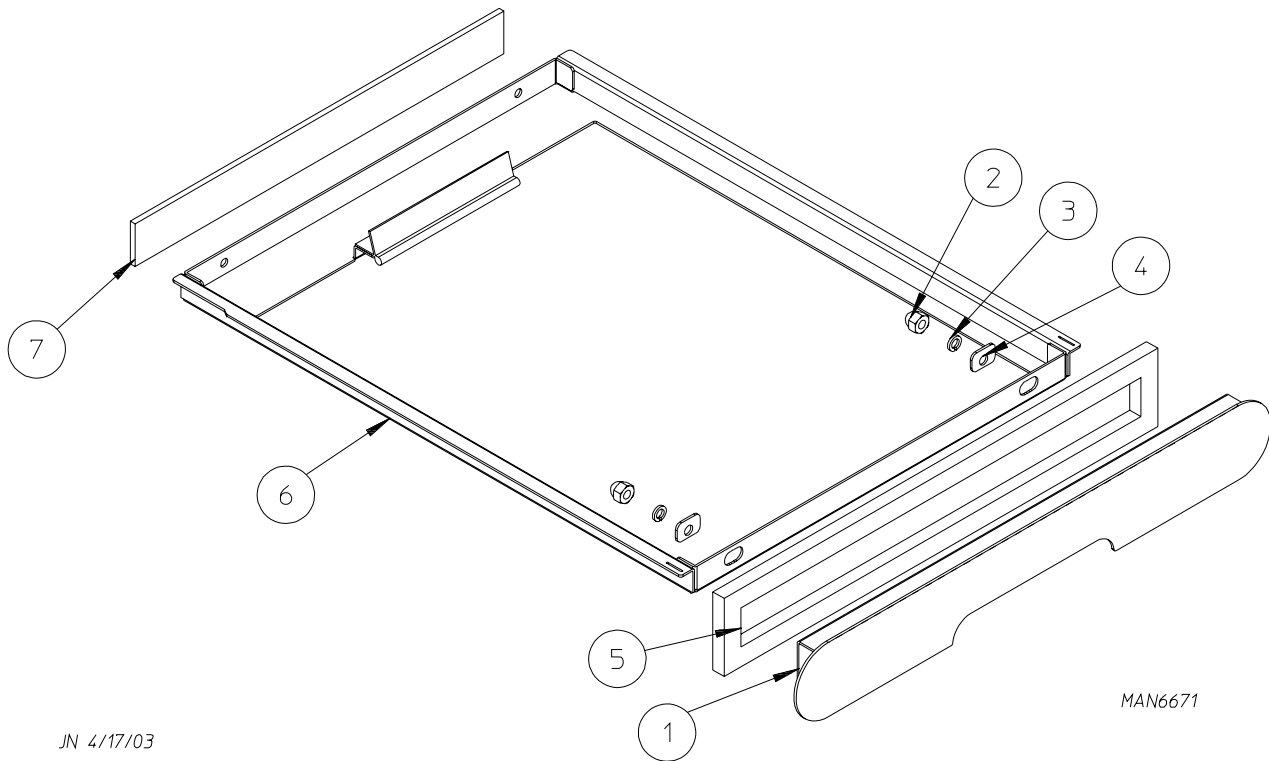
<u>Illus. No.</u>	<u>Part No.</u>	<u>Qty.</u>	<u>Description</u>
1	883824	1	Door Pan with Glass
2	883823	1	Door (left hinge) (includes illus. nos. 2, 13 and 14)
	883825	1	Door (right hinge) (includes illus. nos. 2, 13 and 14)
3	102313	1	Door Gasket (fiberglass)
4	151016	4	#8-32 Acorn Nut
5	150322	8	#6 x 1/2" Self-Drilling Screw
6	102314	1	Door Gasket (rubber)
7	153000	4	#8 Flat Washer
8	153012	4	#8 Star Washer
9	150327	2	#6 x 1/2" Phillips Flat Head Screw
10	170230	1	Door Handle
11	103079	2	Door Hinge
12	150328	2	1/4-20 x 1" Stainless Steel Phillips Head Screw
13	102384	2	Rubber Bumper
14	170608	1	Magnet
	818159	1	Door Assembly Complete (left hinge) (includes illus. nos. 1 through 14)
	818178	1	Door Assembly Complete (right hinge) (includes illus. nos. 1 through 14)
	401010	1	Adhesive for Item (6) Door Gasket (5 oz. tube)...Not Illustrated



JN 4/17/03

MAN6666

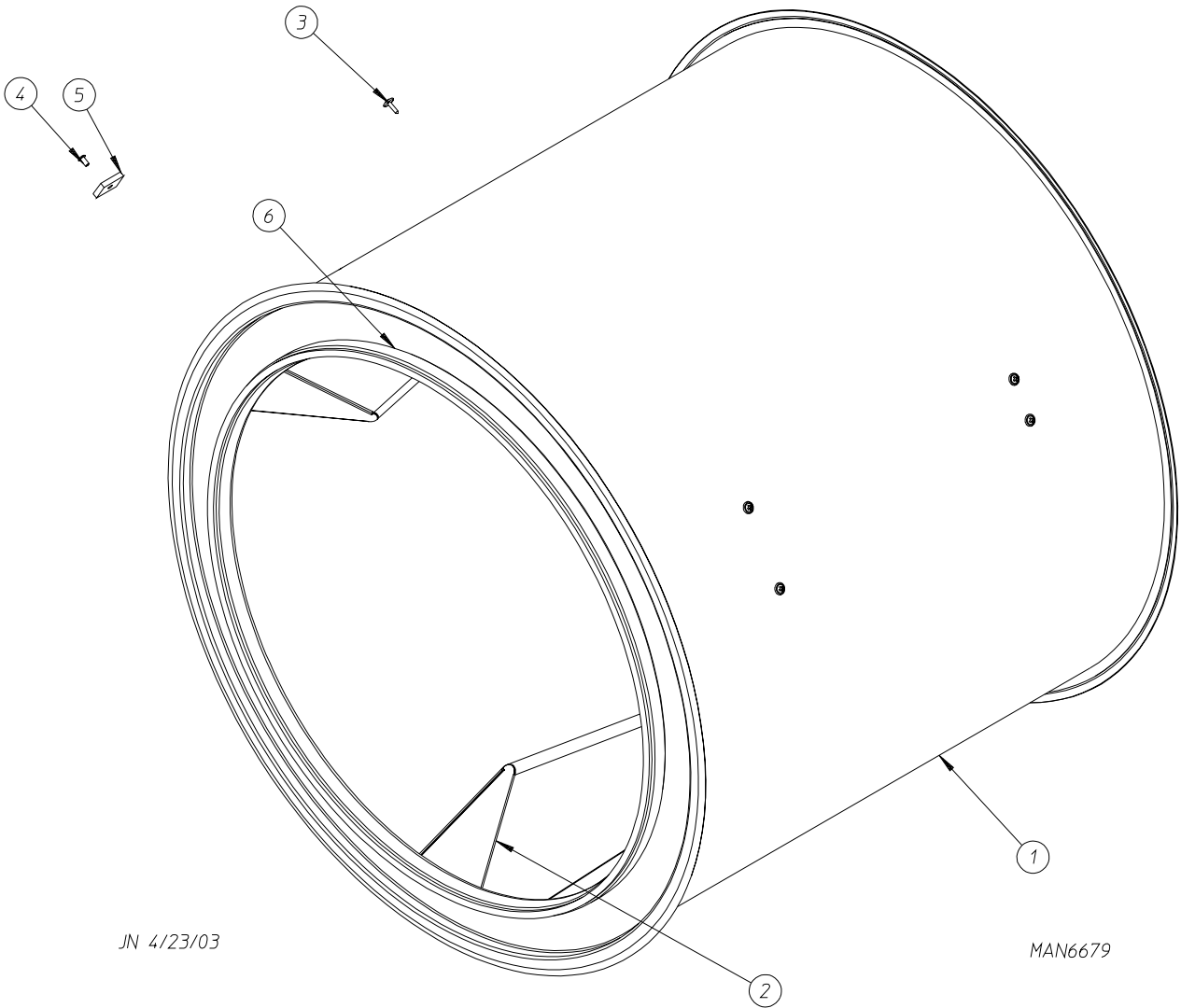
<u>Illus. No.</u>	<u>Part No.</u>	<u>Qty.</u>	<u>Description</u>
1	150322	32	#6 x 1/2" Self-Drilling Screw
2	318146	2	Door Catch Holder
3	818104	1	Middle Front Panel Assembly Complete (specify left or right hinged) (includes illus. nos. 1 through 9)
4	318249	1	Door Catch Cover
5	150531	1	#6 x 1-1/4" Phillips Pan Sheet Metal Screw
6	170228	1	Door Catch
7	150399	4	#8 x 1/2" Phillips Self-Drilling Screw (for models without hinge studs)
8	150301	4	#8 x 7/16" Phillips Pan Head TEK Screw
9	150329	2	#4 x -3/8 Phillips Pan Head Machine Screw
10	151016	4	#8 Acorn Nut (for models with hinge studs)
11	153000	4	#8 Flat Washer (for models with hinge studs)
12	153012	4	#8 Star Washer (for models with hinge studs)



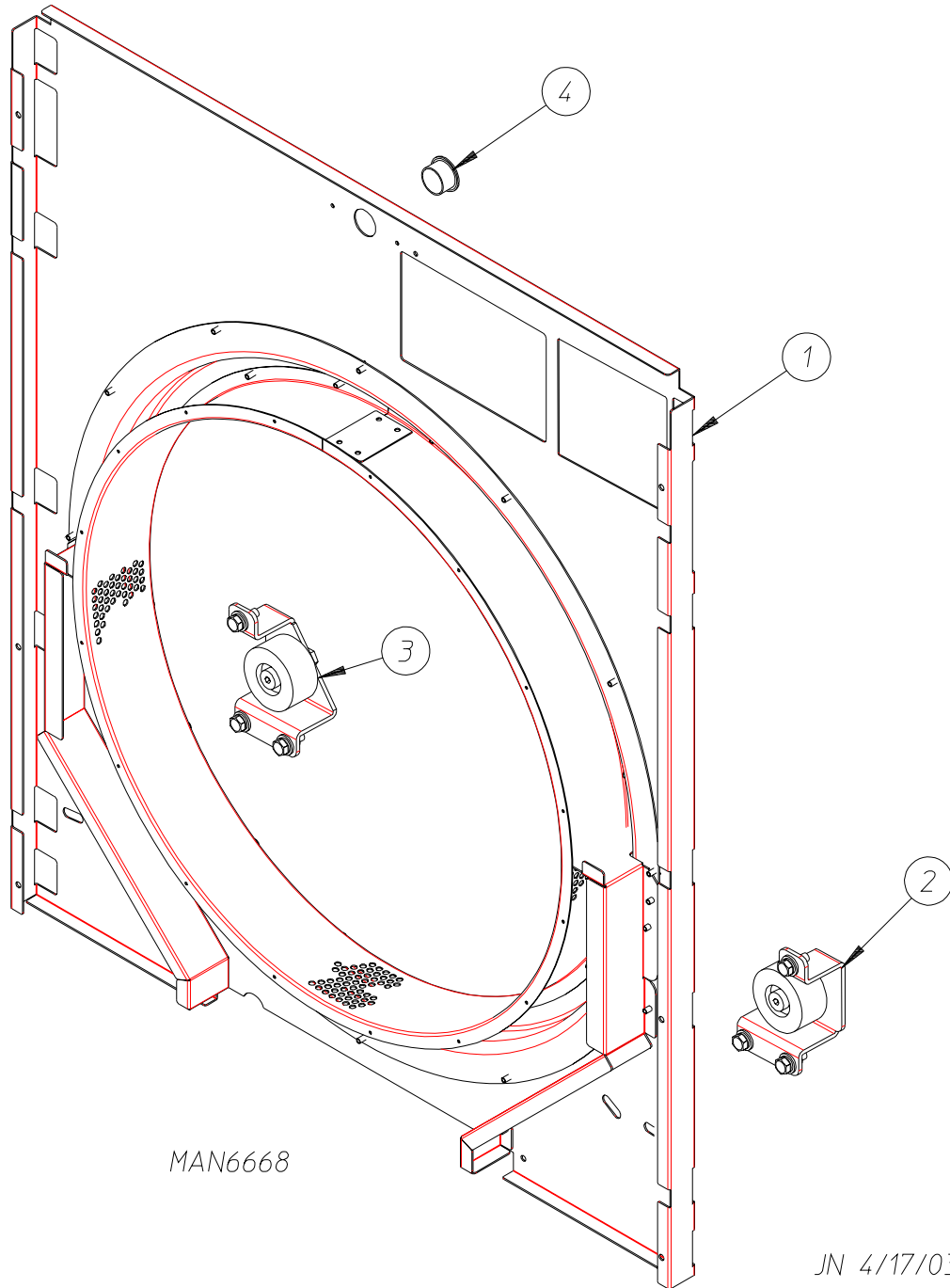
JN 4/17/03

MAN6671

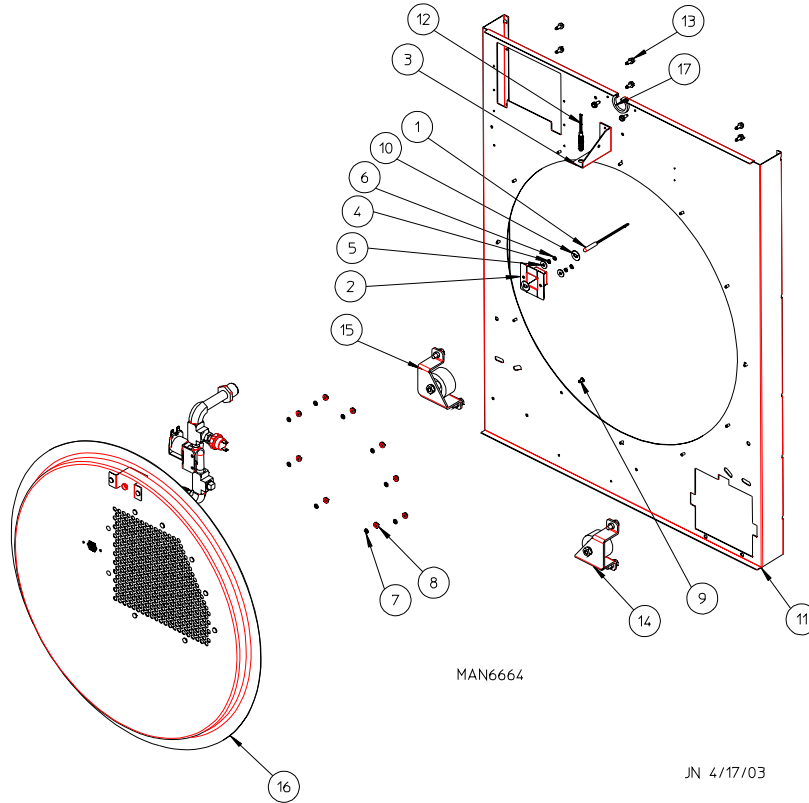
<u>Illus. No.</u>	<u>Part No.</u>	<u>Qty.</u>	<u>Description</u>
1	883751	1	Lint Drawer Handle (includes illus. nos. 1 through 5)
2	151010	2	#10-32 Hex Acorn Lock Nut
3	153420	2	#10 Split Lock Washer
4	318541	2	Offset Washer
5	117605	2	Gasket (sold by the foot)
6	883752	1	Lint Drawer Assembly (includes illus. nos. 6 and 7)
7	116054	1	Lint Drawer Felt
	818166	1	Lint Draw Complete with Handle (includes illus. nos. 1 through 7)



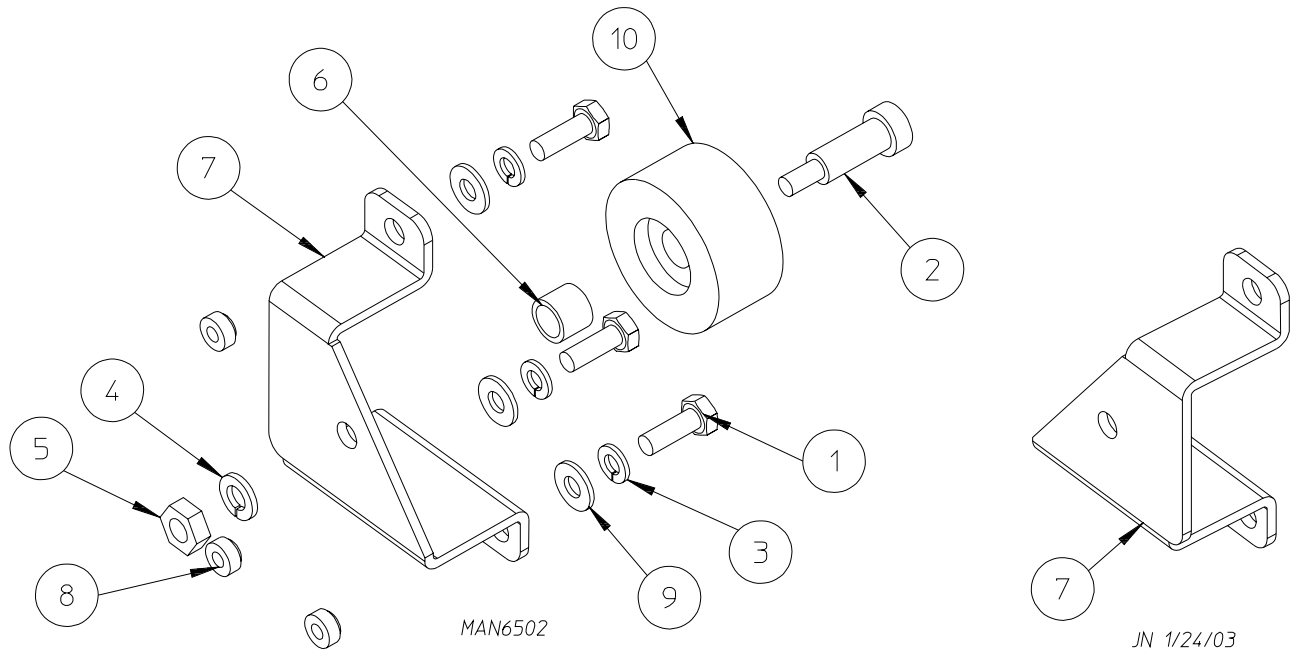
<u>Illus. No.</u>	<u>Part No.</u>	<u>Qty.</u>	<u>Description</u>
1	884359	1	Open Back Tumbler Assembly
	884363	1	Solid Back Tumbler Assembly (as of May 2004) (includes illus. nos. 1 through 8)
2	318242	3	5" Tapered Rib
3	150313	12	#10-16 x 1/2" TORX Screw
4	154217	1	1/8" x 1/2" Pop Rivet
5	102102	1	Rotational Sensor Magnet
	401010	1	Adhesive for Felt Collar (5 oz. tube)
6	115906	2	Basket (tumbler) Felt



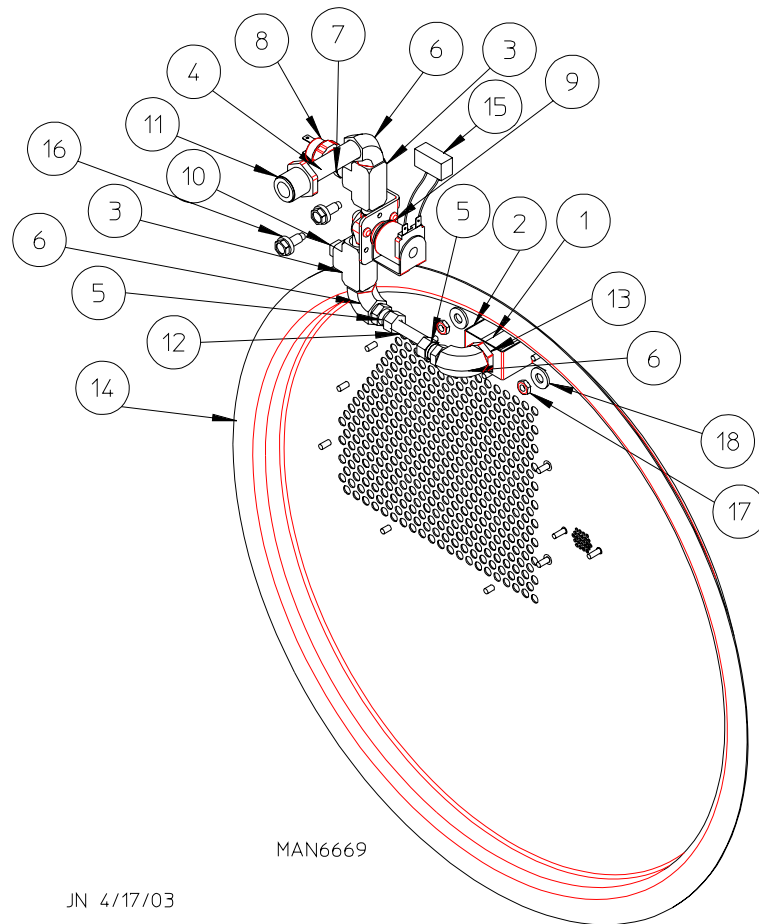
<u>Illus. No.</u>	<u>Part No.</u>	<u>Qty.</u>	<u>Description</u>
1	883820	1	Front Basket (tumbler) Support Panel Complete
2	818110	1	Front Right Wheel Assembly (refer to Basket [Tumbler] Roller Wheel Assemblies on page 12)
3	818109	1	Front Left Wheel Assembly (refer to Basket [Tumbler] Roller Wheel Assemblies on page 12)
4	121400	1	Universal Bushing



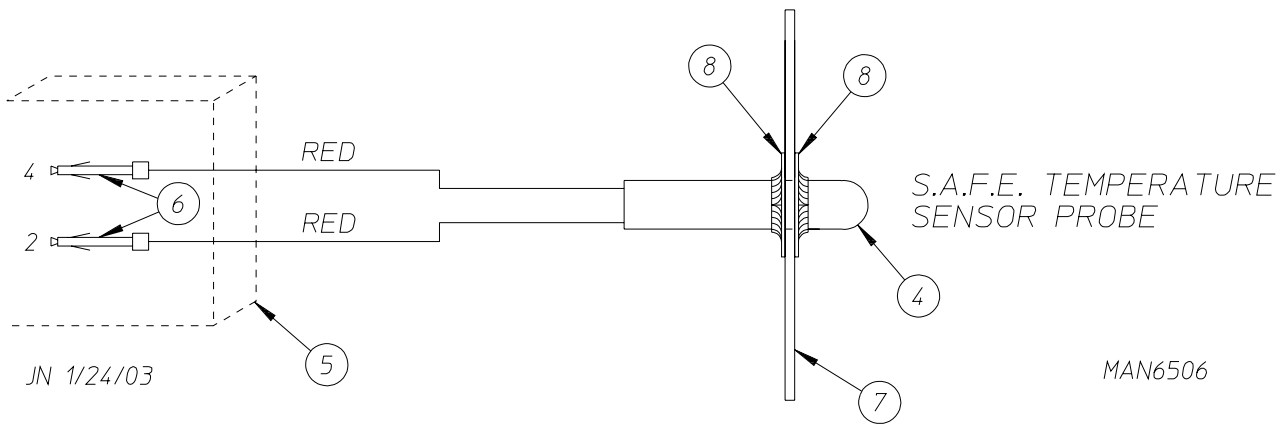
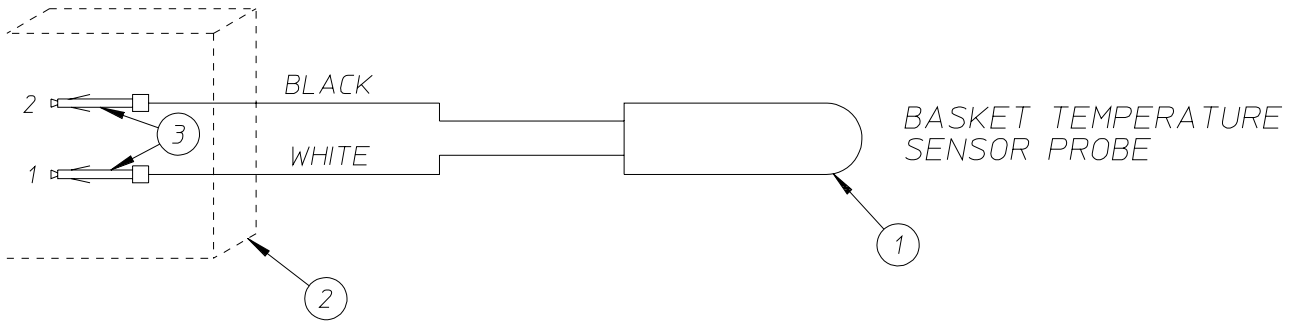
<u>Illus. No.</u>	<u>Part No.</u>	<u>Qty.</u>	<u>Description</u>
1	818207	1	Temperature Sensor Probe Assembly (refer to Temperature Sensor Assemblies on page 14)
2	318252	1	Rear Temperature Probe Mount
3	318234	1	Rotational Sensor Switch Bracket
4	152015	2	#8-32 Hex Nut
5	153000	2	#8 Flat Washer
6	153012	2	#8 Star Washer
7	153009	9	#10 Star Washer
8	152008	9	#10-32 Hex Nut
9	154200	12	5/32" x 5/16" Pop Rivet
10	154007	2	1/4" Push On Fastener
11	318342	1	Rear Basket (tumbler) Support Panel
12	122325	1	Magnetic Rotational Sensor Switch
13	150300	8	#10-16 x 1/2" Hex Washer TEK Screw
14	818109	1	Rear Right Roller Wheel Assembly (refer to Basket [Tumbler] Roller Wheel Assemblies on page 12)
15	818110	1	Rear Left Roller Wheel Assembly (refer to Basket [Tumbler] Roller Wheel Assemblies on page 12)
16	818145	1	Rear Bulkhead Assembly with Sensor Activated Fire Extinguishing (S.A.F.E.) System Piping Assembly (refer to S.A.F.E. System Piping Assembly on page 13)
	818111	1	Rear Bulkhead without Sensor Activated Fire Extinguishing (S.A.F.E.) System
17	156001	1	Caterpillar Grommet



<u>Illus. No.</u>	<u>Part No.</u>	<u>Qty.</u>	<u>Description</u>
1	150510	3	1/4-20 x 3/4" Hex Head Machine Bolt
2	154267	1	M10 x 25mm Shoulder Screw
3	153007	3	1/4" Split Lock Washer
4	153002	1	5/16" Split Lock Washer
5	154013	1	M8 Hex Nut
6	154284	1	Basket (tumbler) Wheel Spacer
7	318232	1	Rear Left/Front Right Roller Wheel Bracket
	818110	1	Rear Left/Front Right Wheel Assembly Complete (includes illus. nos. 1 through 10)
	318233	1	Rear Right/Front Left Roller Wheel Bracket
	818109	1	Rear Right/Front Left Wheel Assembly Complete (includes illus. nos. 1 through 10)
8	153596	3	1/4-20 Clinch Nut
9	153018	3	1/4" Flat Washer
10	180032	1	Idler Wheel



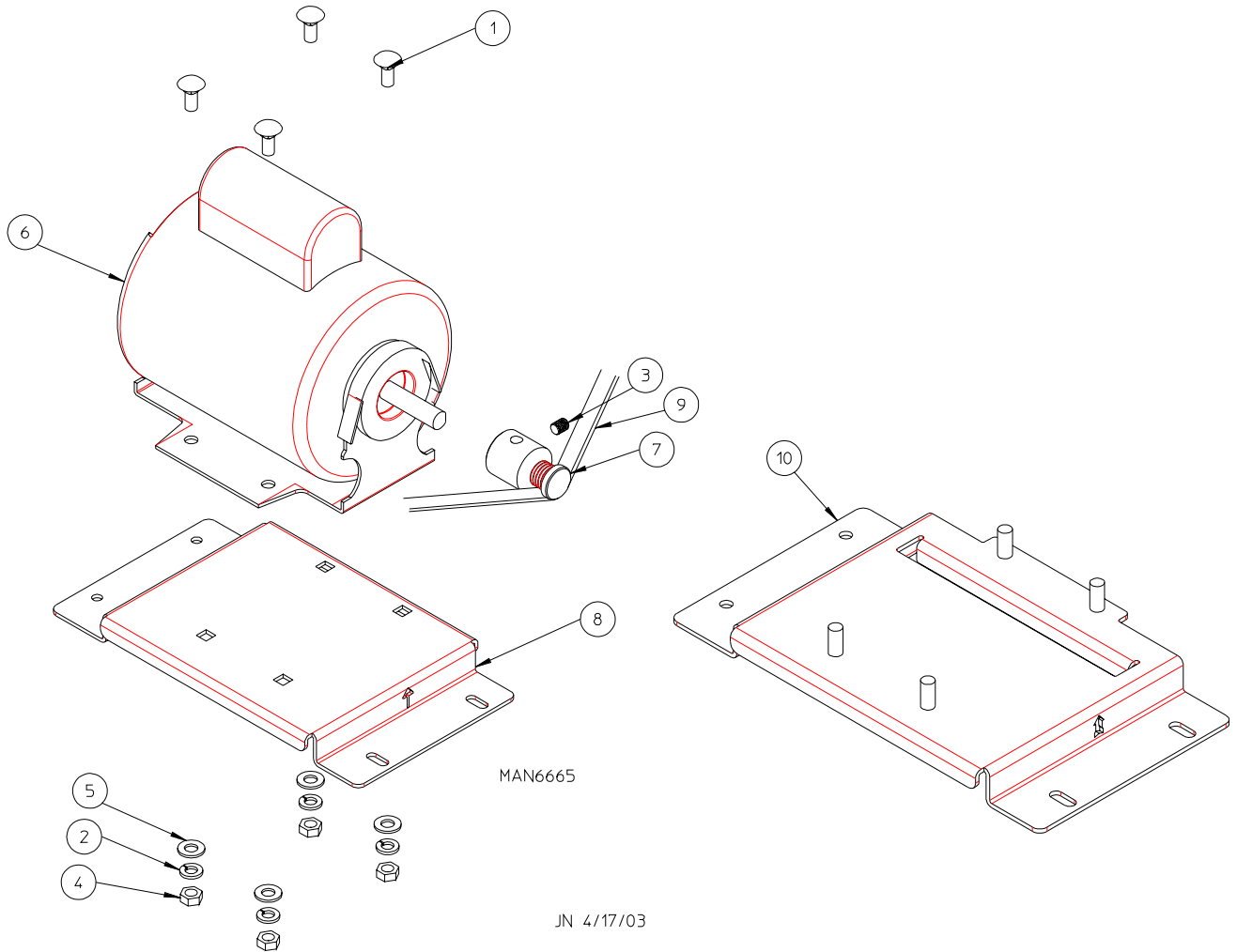
<u>Illus. No.</u>	<u>Part No.</u>	<u>Qty.</u>	<u>Description</u>
1	143581	1	3 GPM 3/8" N.P.T. Spray Nozzle
2	318167	1	Nozzle Bracket
3	143220	2	3/8" F.P.T. Brass Tee
4	143242	1	3/8" x 2-1/2" Brass Nipple
5	143208	2	3/8" Comp x 3/8" M.P.T. Brass Connector
6	143155	3	3/4" Brass Street Elbow
7	143315	1	3/8" M.P.T. x 1/8" Brass Bushing
8	136987	1	Water Jet Pressure Switch
9	165114	1	Solenoid Valve
10	143251	1	3/8" M.P.T. Brass Plug
11	142888	1	1/2" M.P.T. x 3/8" F.P.T. Hex Bushing
12	143099	1	3/8" OD Copper Tube
13	143303	1	3/8" N.P.T. Brass Lock Nut
14	818139	1	Rear Bulkhead Assembly for Sensor Activated Fire Extinguishing (S.A.F.E.) System ONLY
	818199	1	Sensor Activated Fire Extinguishing (S.A.F.E.) System Piping Assembly (includes illus. nos. 1 through 15)
15	824081	1	R.C. Network with Terminals
16	150300	2	#10-16 x 1/2" Hex Washer TEK Screw
17	152008	2	#10 Nut
18	152034	2	#10 Split Lock Washer



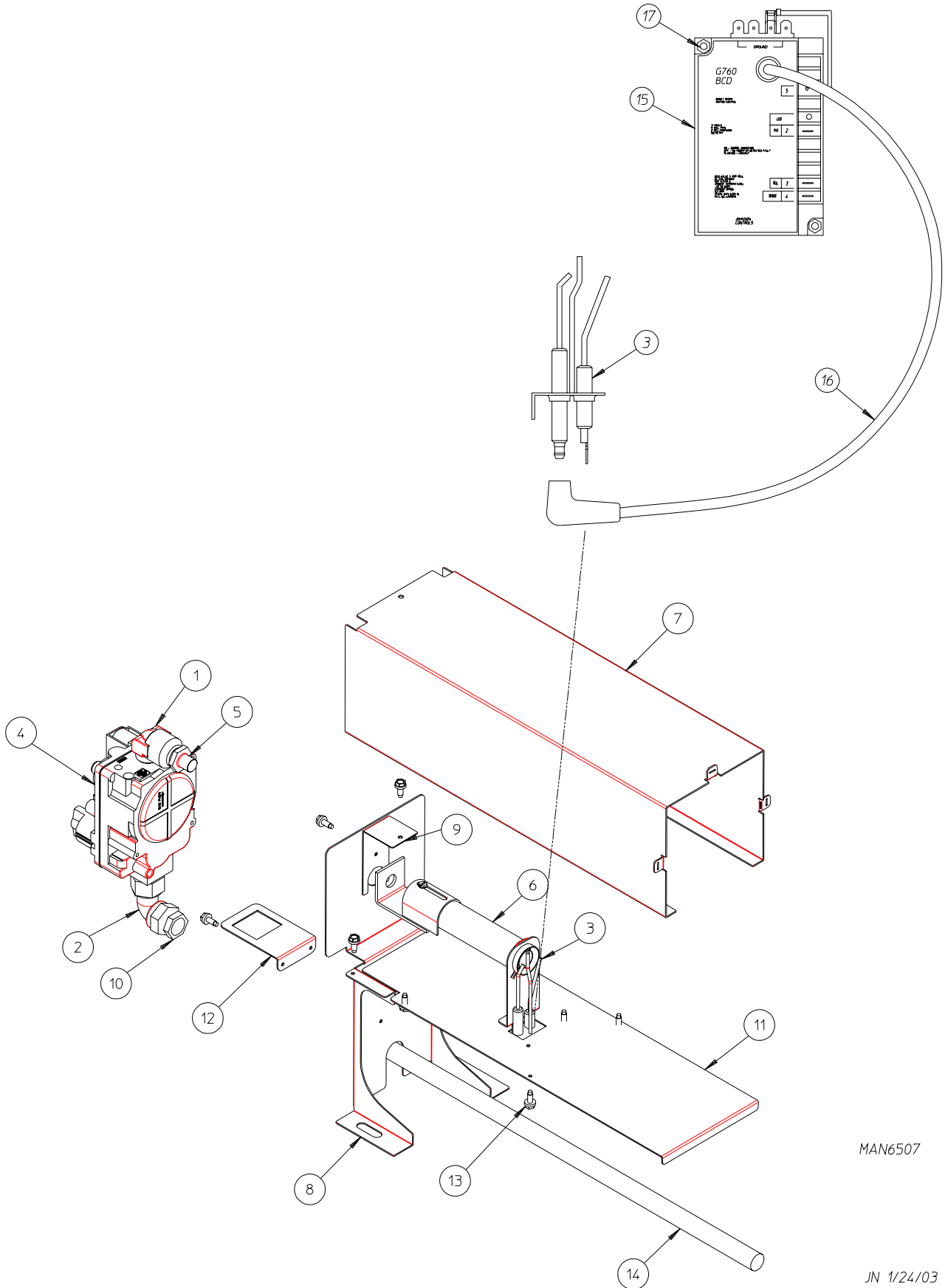
JN 1/24/03

MAN6506

<u>Illus. No.</u>	<u>Part No.</u>	<u>Qty.</u>	<u>Description</u>
1	818207	2	Basket (tumbler) Temperature Sensor Probe (includes illus. nos. 1 through 3)
2	122646	1	2-Pin Plug
3	122706	2	Socket Terminal ONLY
4	883821	1	Sensor Activated Fire Extinguishing (S.A.F.E.) System Temperature Sensor Probe Assembly Complete (includes illus. nos. 4 through 8)
5	122646	1	2-Pin Plug
6	122706	2	Socket Terminal ONLY
7	318525	1	Sensor Activated Fire Extinguishing (S.A.F.E.) System Probe Bracket
8	154007	2	Push On Fasteners



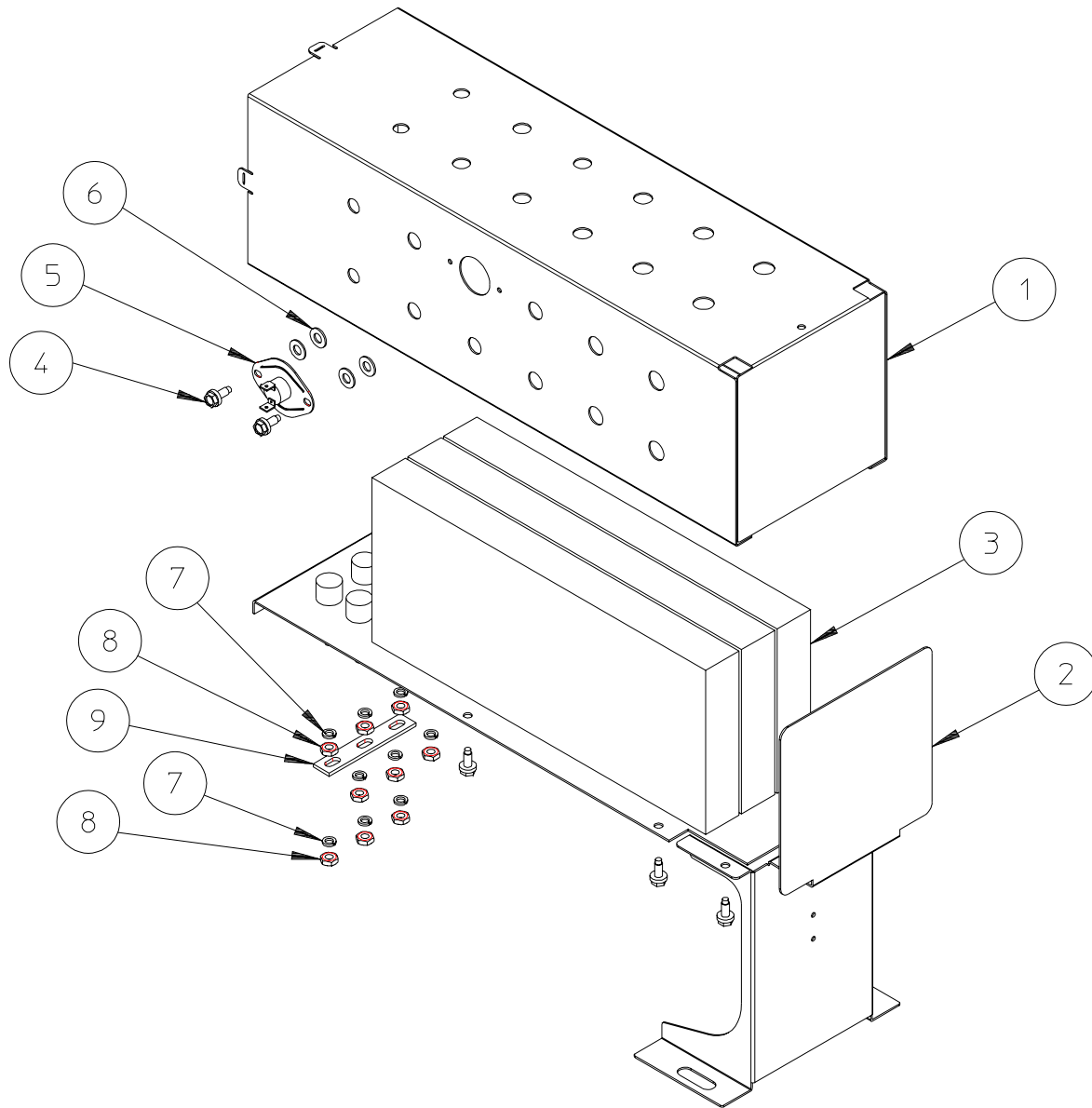
<u>Illus. No.</u>	<u>Part No.</u>	<u>Qty.</u>	<u>Description</u>
1	154279	4	5/16-18 x 3/4" Carriage Bolt (for motor bases without studs)
2	153002	4	5/16" Split Lock Washer
3	154321	1	5/16" x 3/8" Allen Setscrew
4	152004	4	5/16-18 Hex Nut
5	153001	4	5/16" Flat Washer
6	181120	1	4-Pole Motor (for earlier models without studs)
7	318247	1	4-Pole Motor Sheave (60 Hz models)
	318248	1	4-Pole Motor Sheave (50 Hz models)
8	318548	1	Motor Base
9	100197	1	Drive Belt
	818121	1	Drive Motor Assembly 60 Hz (includes illus. nos. 1 through 8)
	818126	1	Drive Motor Assembly 50 Hz (includes illus. nos. 1 through 8)
10	818200	1	Motor Base Plate (for later models with studs)



MAN6507

JN 1/24/03

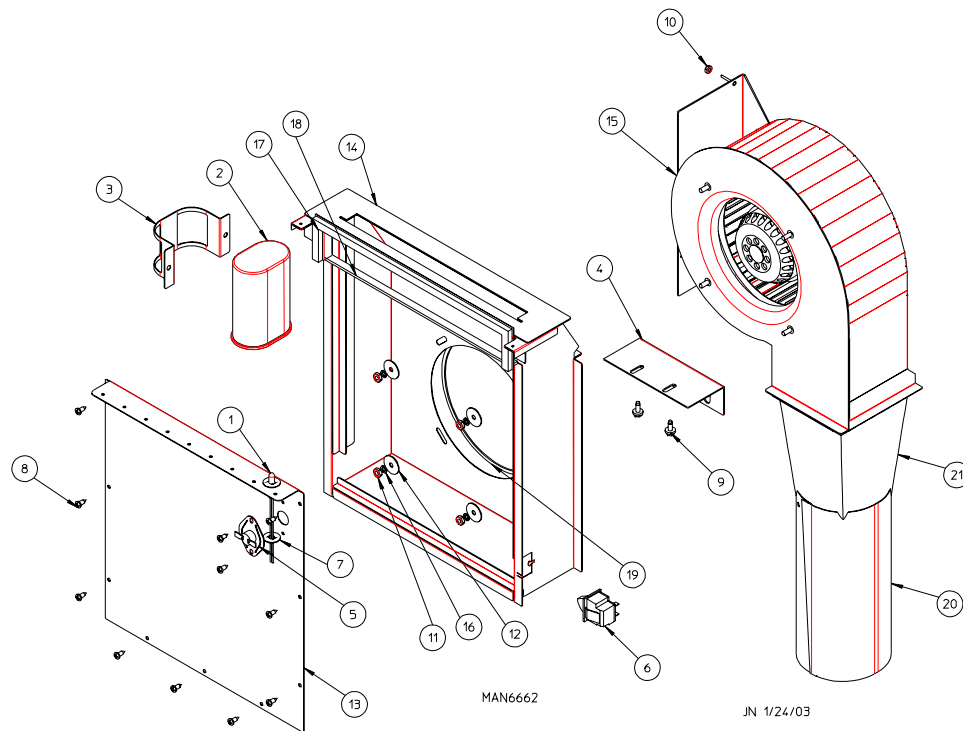
<u>Illus. No.</u>	<u>Part No.</u>	<u>Qty.</u>	<u>Description</u>
1	143226	1	1/2" Brass Street Elbow
2	141317	1	1/2" Bronze Union Elbow
3	882451	1	Ignitor Probe Assembly with High Voltage (HV) Wire (includes illus. nos. 3 and 16)
4	128927	1	1/2" 24 VAC Redundant (natural gas) Gas Valve
	880960	1	1/2" 24 VAC Redundant (liquid propane) Gas Valve
5	140868	1	#31 Burner Orifice (natural gas) ONLY (40K BTU Burners)
	140870	1	#34 Burner Orifice (natural gas) ONLY (35K BTU Burners)
	140869	1	#49 Burner Orifice (liquid propane [L.P.] gas) ONLY (40 K BTU Burners)
	140871	1	#51 Burner Orifice (liquid propane [L.P.] gas) ONLY (35 K BTU Burners)
6	141129	1	Inshot Burner
7	318293	1	Commercial Electric Oven Housing ONLY
	818163	1	Direct Spark Ignition (DSI) Gas Train Assembly Complete (natural gas) (includes illus. nos. 1 through 14)
	883610	1	Liquid Propane (L.P.) Conversion Kit (includes orifice) (40 K BTU Burners)
	883799	1	Liquid Propane (L.P.) Conversion Kit (includes orifice) (35 K BTU Burners)
8	318345	1	Commercial Gas Oven Mounting Bracket
9	318395	1	Burner Retainer Clip
10	142953	1	3/8" x 1/2" Steel Bushing
11	818177	1	Gas Burner Mounting Bracket
12	318519	1	Gas Valve Support Bracket
13	150300	12	#10-16 x 1/2" Hex Washer TEK Screw
14	142634	1	3/8" x 19" Pipe Nipple
15	128935	1	Direct Spark Ignition (DSI) Module with Three (3) Tries
16	128919	1	High Voltage (HV) Ignition Cable with Cap
17	152013	2	#6-32 Hex Nut



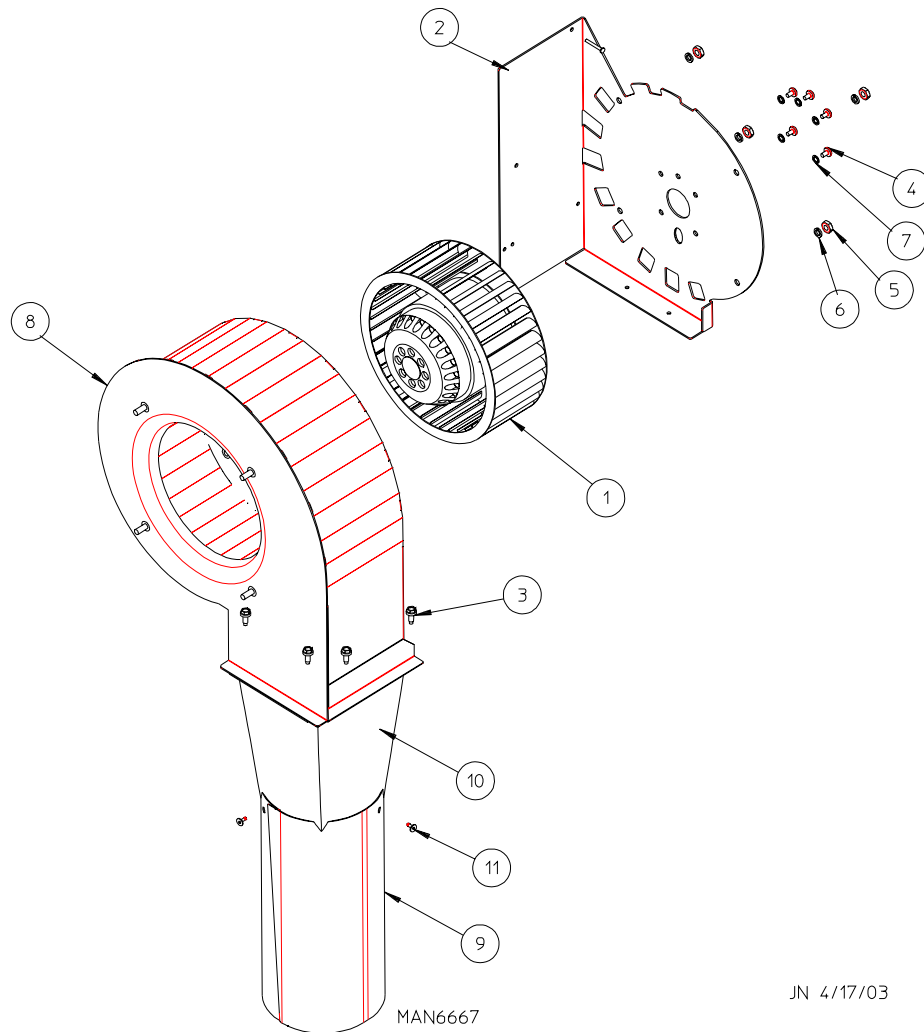
MAN6550

JN 2/21/03

<u>Illus. No.</u>	<u>Part No.</u>	<u>Qty.</u>	<u>Description</u>
1	318543	1	Electric Oven Housing
2	318294	1	Electric Oven Mounting Bracket
3	120086	1	3-Phase (3 ϕ) Oven (5.4 kW at 240 volt or 8.1 kW at 416 volt)
	818155	1	Electric Oven Assembly Complete (includes illus. nos. 1 through 9)
4	150300	6	#10-16 x 1/2" Hex Washer TEK Screw
5	130400	1	Temperature Sensor
6	153022	4	#10 Flat Washer
7	153024	9	#10 Split Lock Washer
8	152008	9	#10-32 Hex Nut
9	121011	1	Bus Bar

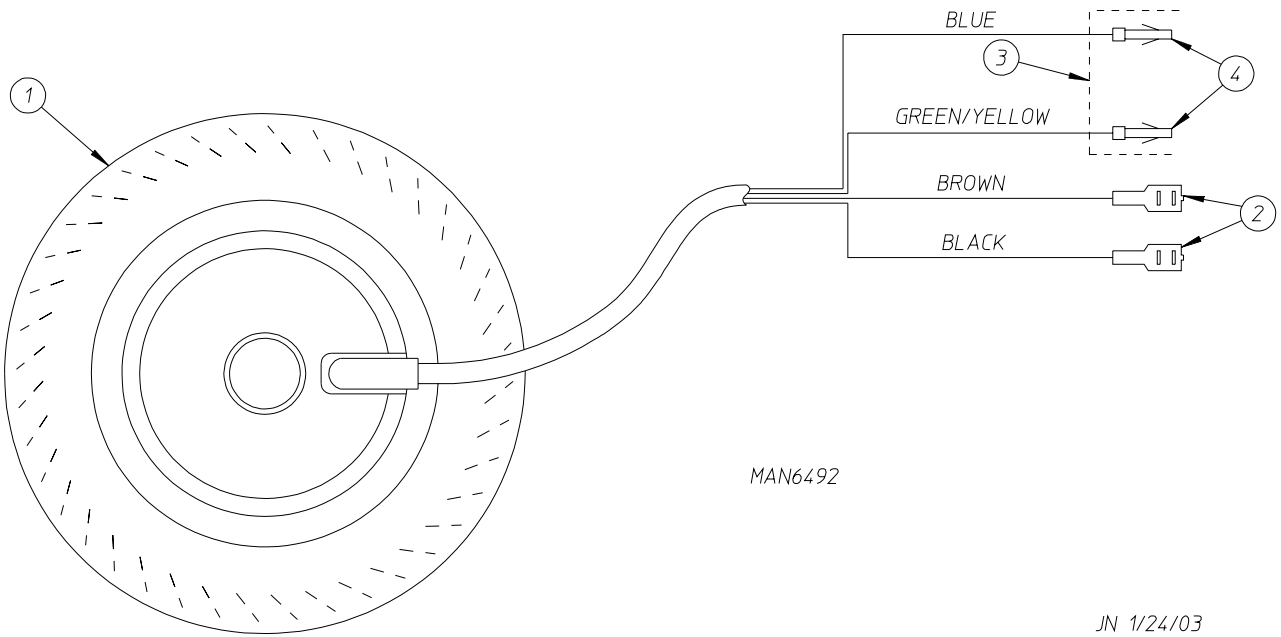


<u>Illus. No.</u>	<u>Part No.</u>	<u>Qty.</u>	<u>Description</u>
1	818207	1	Temperature Sensor Probe Assembly (refer to Temperature Sensor Assemblies on page 14)
2	100623	1	25 M.F.D. 440 VAC Capacitor (for use with 120 volt blower)
	100633	1	6 M.F.D. 440 VAC Capacitor (for use with 220 volt blower)
3	318230	1	Capacitor Bracket (for use with 25 M.F.D. 440 VAC Capacitor)
	100632	1	Capacitor Bracket (for use with 6 M.F.D. 440 VAC Capacitor)
4	318224	1	Blower Housing Rear Support Bracket
5	130119	1	Automatic Reset Hi-Limit Thermostat
6	122002	1	Door Switch
7	154007	2	1/4" Push On Fastener
8	150301	11	#8-18 x 7/16" Phillips Pan Head TEK Screw
9	150309	2	#10-16 x 1/2" Hex Head TEK Crimptite Screw
10	152013	2	#6-32 Hex Nut
11	152008	4	#10-32 Hex Nut
12	153049	4	13/64" x 7/8" Flat Washer
13	318192	1	Lint Box Top
14	818095	1	Lint Box
15	818100	1	120 Volt Blower Assembly (refer to Blower Assembly on page 20)
	818147	1	220 Volt Blower Assembly (refer to Blower Assembly on page 20)
16	153024	4	#10 Split Lock Washer
17	117605	1	1/4" x 3/8" Sponge Tape (sold by the foot)
18	117604	1	Noise Suppression Tape (sold by the foot)
19	117604	1	Noise Suppression Tape (sold by the foot)
20	318179	1	Exhaust Tube
21	143335	1	Exhaust Transition Piece



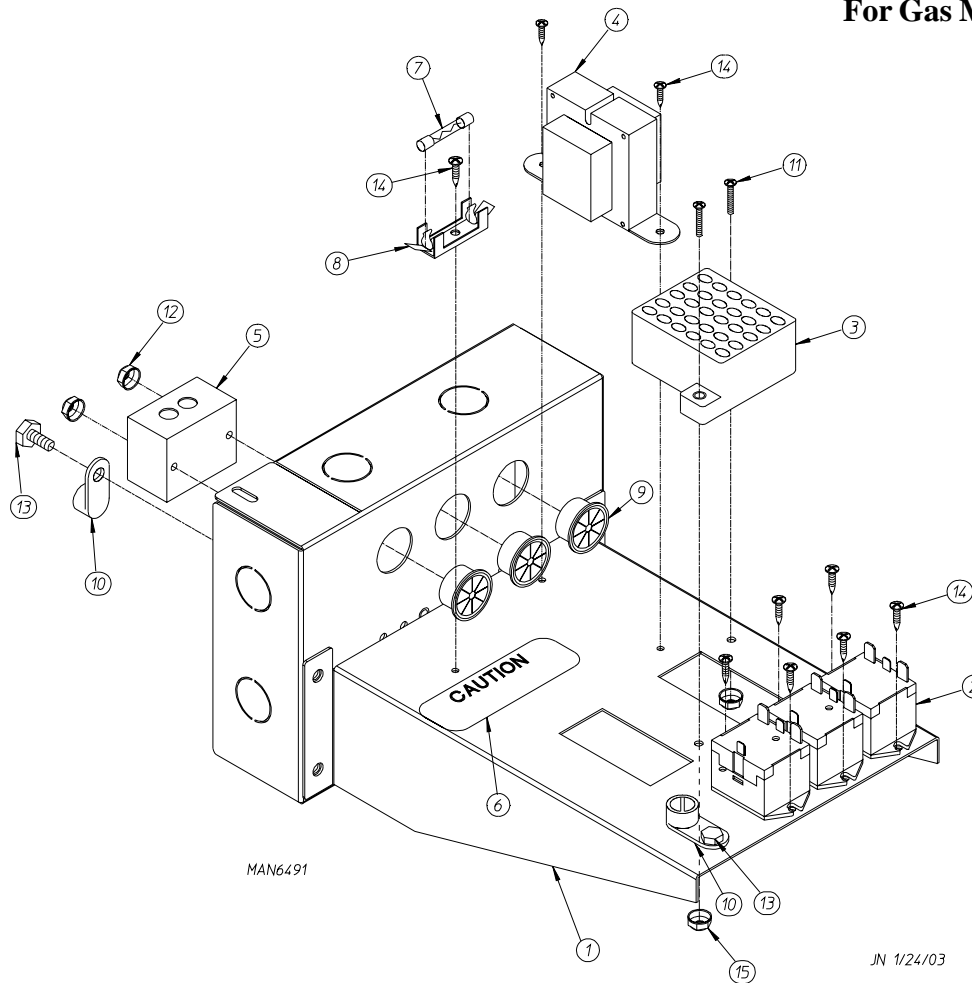
JN 4/17/03

<u>Illus. No.</u>	<u>Part No.</u>	<u>Qty.</u>	<u>Description</u>
1	883826	1	Motorized Impellor 120V ONLY (refer to Blower Motor Assembly on page 21)
	883827	1	Motorized Impellor 240V ONLY (refer to Blower Motor Assembly on page 21)
2	318204	1	Blower Housing Mount
3	150300	8	#10-16 x 1/2" Hex Washer Screw
4	154338	5	M4 x 6mm Phillips Head Slotted Machine Screw
5	152008	4	#10-32 Hex Nut
6	153024	4	#10 Split Lock Washer
7	153012	5	#8 Star Washer
8	818099	1	Blower Housing
9	318179	1	Exhaust Tube
10	143335	1	Exhaust Transition Piece
	818100	1	Blower Assembly Complete 120V (includes illus. nos. 1 through 10)
	818147	1	Blower Assembly Complete 240V (includes illus. nos. 1 through 10)
11	154215	2	5/32" Pop Rivet



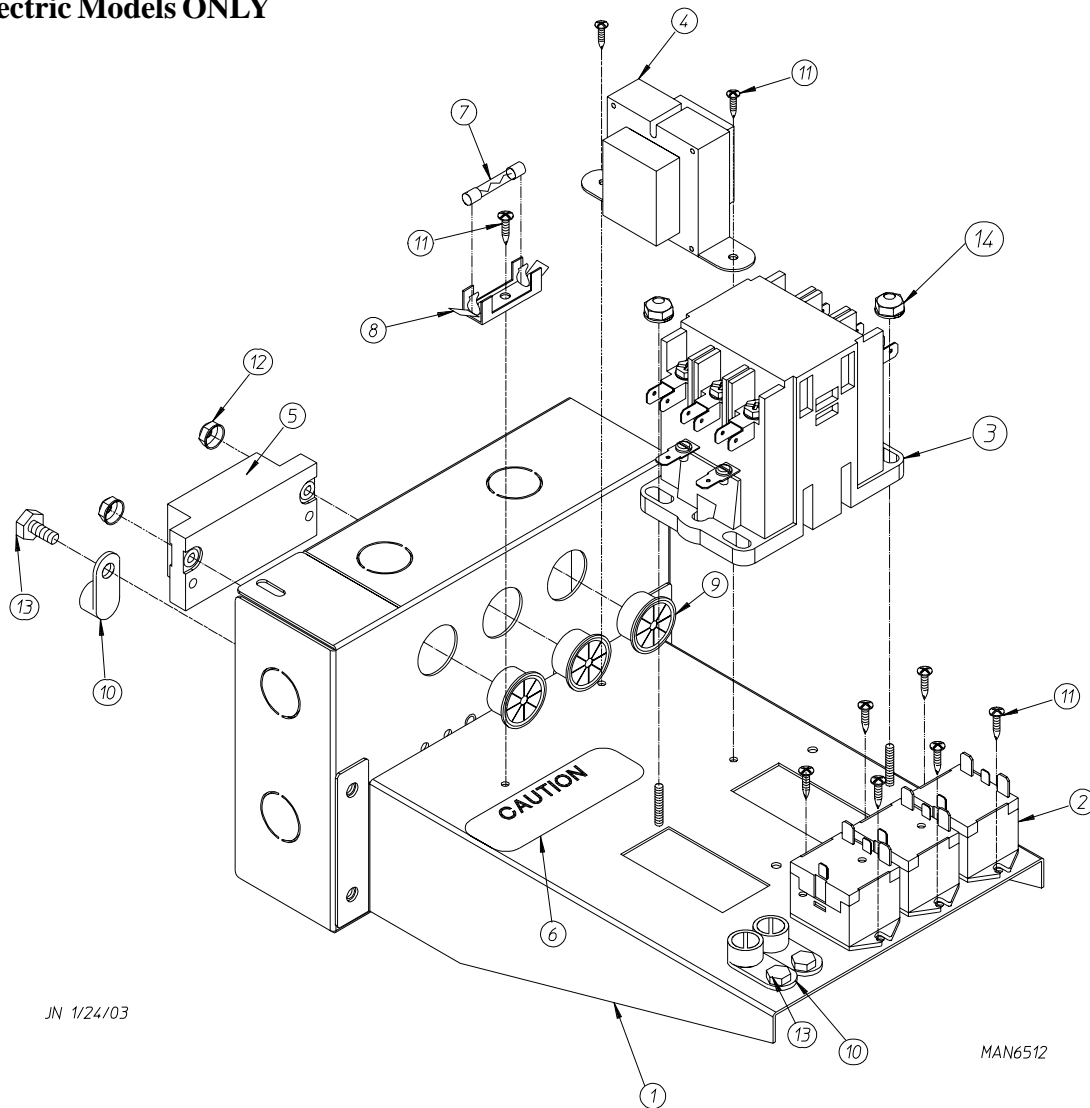
<u>Illus. No.</u>	<u>Part No.</u>	<u>Qty.</u>	<u>Description</u>
1	883826	1	120V Motorized Impellor with Plug (includes illus. nos. 1 through 4)
	883827	1	240V Motorized Impellor with Plug (includes illus. nos. 1 through 4)
	100624	1	Motorized Impellor 240V (50 Hz)
	100621	1	Motorized Impellor 120V (60 Hz)
2	121000	2	1/4" x 0.032 Uninsulated Term
3	122622	1	4-Pin Plug
4	122705	2	Socket Terminal ONLY

For Gas Models ONLY



<u>Illus. No.</u>	<u>Part No.</u>	<u>Qty.</u>	<u>Description</u>
1	818189	1	Electrical Panel Assembly
	818229	1	Rear Electrical Panel Complete 120V (60 Hz) (includes illus. nos. 1 through 15)
	818227	1	Rear Electrical Panel Complete 240V (50 Hz) (includes illus. nos. 1 through 15)
2	131932	3	24V SPST Relay
3	120730	1	30-Position Terminal Block
4	818212	1	Transformer Assembly - 120V (60 Hz)
	818224	1	Transformer Assembly - 240V (50 Hz)
5	120716	1	2-Position Terminal Block
6	114506	1	Fuse Replacement Label
7	136057	1	1/2-Amp (Slo-Blo) Fuse
8	136008	1	Fuse Holder
9	121400	3	7/8" Bushing
10	121010	2	Ground Lug
11	150002	2	#6-32 x 1" Phillips Round Head Machine Screw
12	151001	2	#8-32 Pal Nut
13	120910	2	#10-32 Green Ground Screw
14	150301	9	#8-18 x 7/16" Phillips Pan Head TEK Screw
15	151000	2	#6-32 Pal Nut

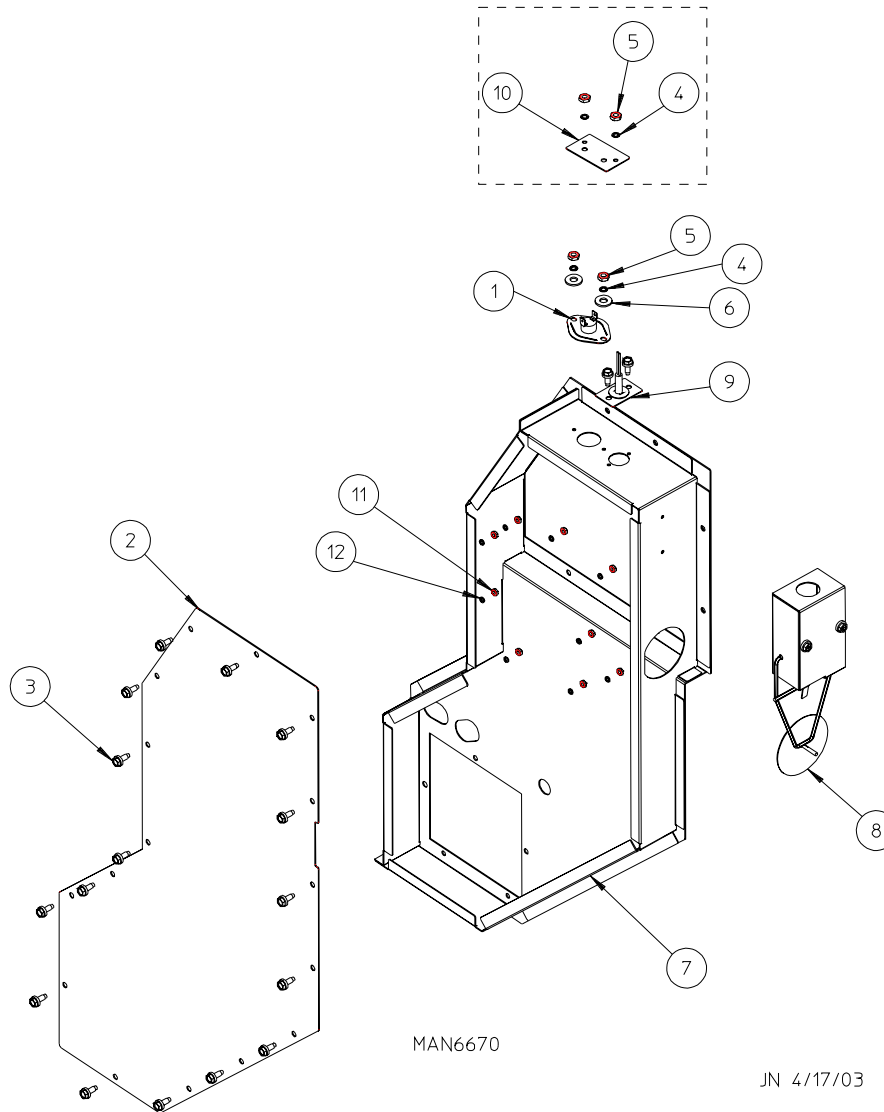
For Electric Models ONLY



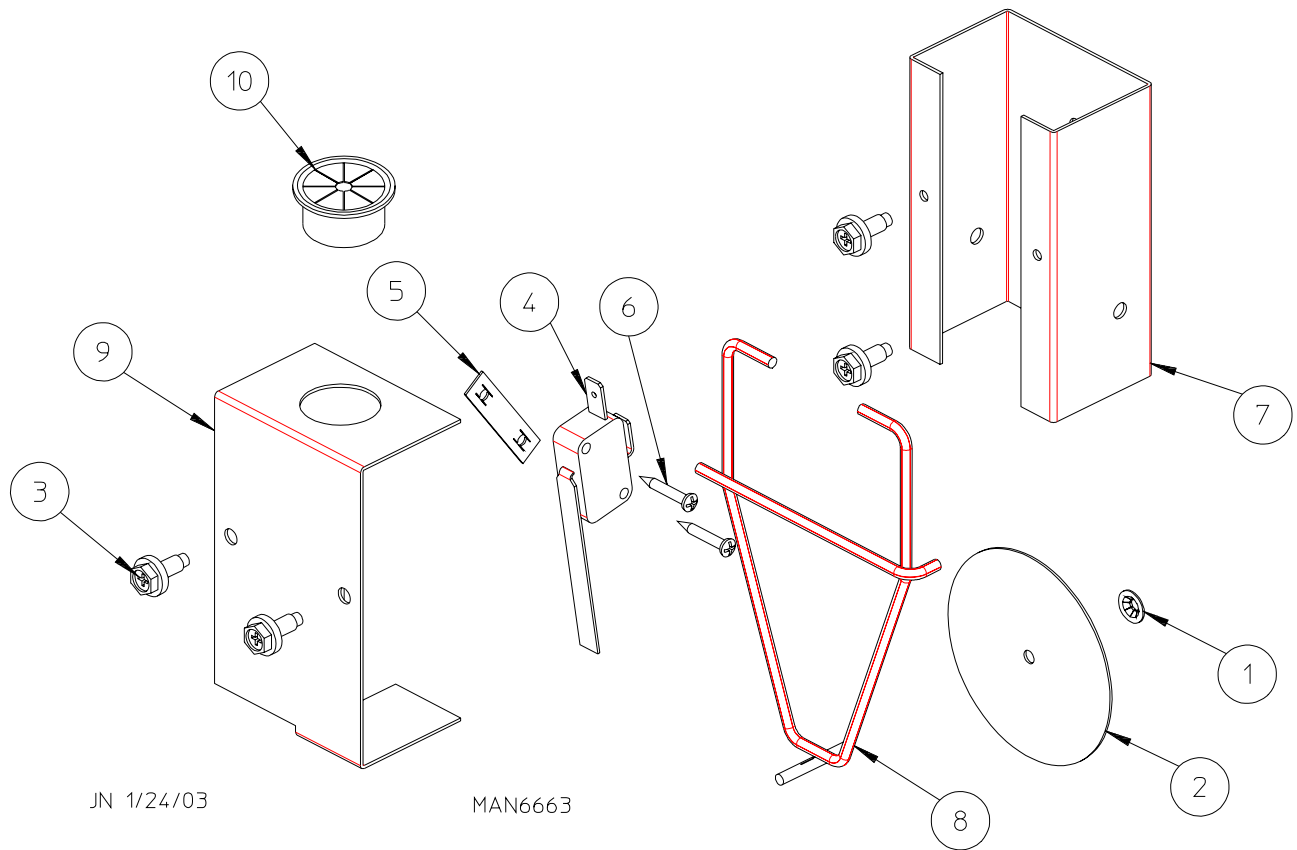
JN 1/24/03

MAN6512

Illus. No.	Part No.	Qty.	Description
1	818190	1	Electrical Panel Assembly
	818332	1	Rear Panel Assembly Complete 240V 1 ϕ to 416V 3 ϕ (includes illus. nos. 1 through 14)
2	131932	3	24V SPST Relay
3	131368	1	25-Amp Contactor
4	818224	1	Transformer Assembly
5	120728	1	4-Position Terminal Block
6	114506	1	Fuse Replacement Label
7	136057	1	1/2-Amp (Slo-Blo) Fuse
8	136008	1	Fuse Holder
9	121400	3	7/8" Bushing
10	121010	3	Small Ground Lug
11	150301	9	#8-18 x 7/16" Phillips Pan Head TEK Screw
12	151001	2	#8-32 Pal Nut
13	120910	3	#10-32 Green Ground Screw
14	151000	2	#6-32 Pal Nut



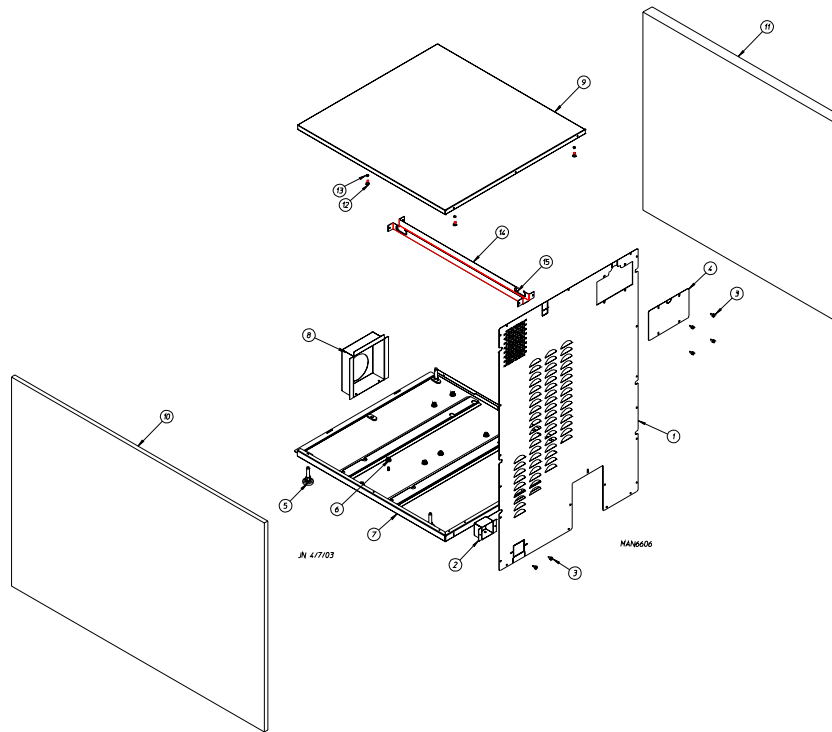
<u>Illus. No.</u>	<u>Part No.</u>	<u>Qty.</u>	<u>Description</u>
1	130403	1	330° F Thermostat (for gas models Only)
2	318289	1	Heat Duct Cover Commercial Electric
3	150300	20	#10-16 x 1/2" Hex Washer TEK Screw
4	153012	2	#8 Star Washer
5	152015	2	#8 Hex Nut
6	153000	2	#8 Flat Washer
7	818154	1	Heat Duct
8	818114	1	Top Wire Sail Switch Assembly (refer to Sail Switch Assembly on page 25)
9	883821	1	Sensor Activated Fire Extinguishing (S.A.F.E.) System Temperature Sensor (refer to Temperature Sensor Assemblies on page 14)
10	318545	1	Sensor Hole Cover Plate (for electric models Only)
11	152008	9	#10 Nut
12	154200	9	#10 Split Lock Washer



JN 1/24/03

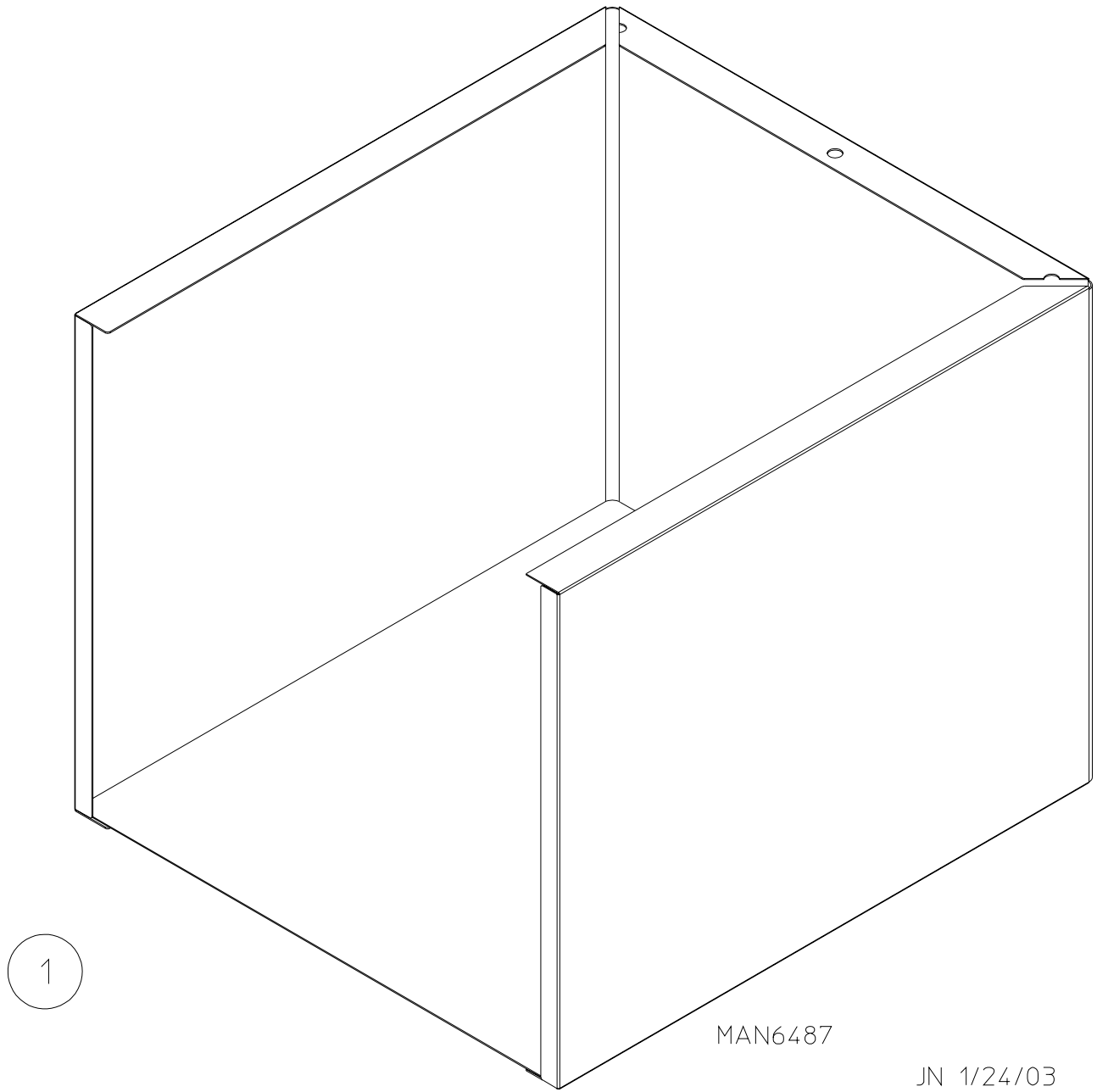
MAN6663

<u>Illus. No.</u>	<u>Part No.</u>	<u>Qty.</u>	<u>Description</u>
1	154002	1	1/8" Push On Fastener
2	332689	1	Sail Switch Damper (flat)
3	150309	4	#10-16 x 1/2" Hex Head TEK Crimplite Screw
4	122200	1	Sail Switch ONLY
5	154004	1	Twin Speed Nut
6	150303	2	#4 x 3/4" Pan Head "A" Machine Screw
7	318237	1	Sail Switch Box
8	105500	1	Sail Switch Rod Assembly
9	818113	1	Sail Switch Box Cover and Bracket ONLY
	818114	1	Sail Switch Assembly Complete (includes illus. nos. 1 through 9)
10	121400	1	Universal Bushing



<u>Illus. No.</u>	<u>Part No.</u>	<u>Qty.</u>	<u>Description</u>
1	318398	1	SL-20 Back Guard
	318222	1	CG-20 Back Guard
	818168	1	SL-20 Back Guard Assembly Complete (includes illus. nos. 1 through 4)
	818179		CG-20 Back Guard Assembly Complete (includes illus. nos. 1 through 4)
2	318397	1	Gas Pipe Pocket
3	150300	32	#10-16 x 1/2" Hex Washer TEK Screw
4	318272	1	Junction Box Cover
5	103501	4	Leveling Leg
6	152014	8	1/4-20 Free Spin Wash Nut
7	818102	1	Base
	818142	1	Base Assembly Complete (includes illus. nos. 5 through 7)
8	318159	1	Exhaust Support Bracket
9	818129	1	SL-20 Top
	818137	1	CG-20 Top
10	318340	1	SL-20 Right Side Panel
	318275	1	CG-20 Right Side Panel
11	318341	1	SL-20 Left Side Panel
	318274	1	CG-20 Left Side Panel
12	154210	*	5/32" x 3/16" Pop Rivet
13	318143	*	Top Catch Spacer
14	318213	1	Center Wire Track
15	156001	2	Caterpillar Grommet

* As required



<u>Illus. No.</u>	<u>Part No.</u>	<u>Qty.</u>	<u>Description</u>
1	818313	1	Dryer Pedestal

<u>Part No.</u>	<u>Description</u>
112280	“Clean Lint Screen” Label
114006	“WARNING - Fire Hazards” Label
114548	Phase 7 Program Location Summary Label
404519	Black Touch-Up Paint
120903	Crimp-On Wire Nut
121499	5-1/2” Harness Tie
122804	Manometer (hydro gauge) for Measuring Gas Pressure
114094	Warning Arc Label
112017	ADC Logo Label
114007	“Danger High Voltage”Label
112014	“Caution Rotating Parts”Label
114001	“Caution...Combustable Lint”Label
112046	“Important...earth ground” Label

