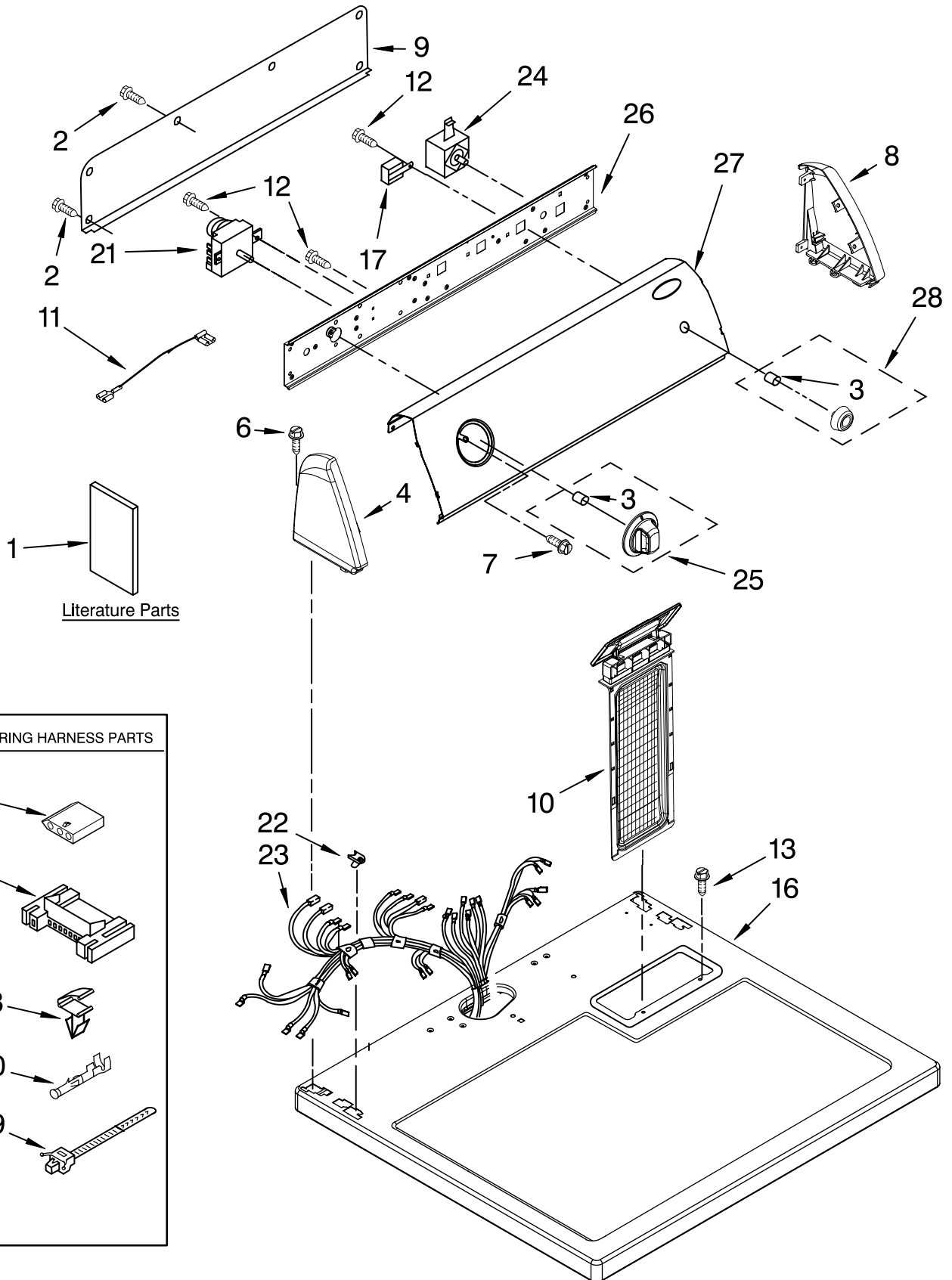


TOP AND CONSOLE PARTS

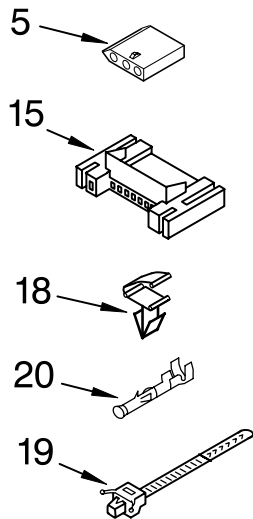
For Model: NED5100TQ0
(Designer White)

29" ELECTRIC DRYER



Literature Parts

WIRING HARNESS PARTS



FOR ORDERING INFORMATION REFER TO PARTS PRICE LIST

TOP AND CONSOLE PARTS

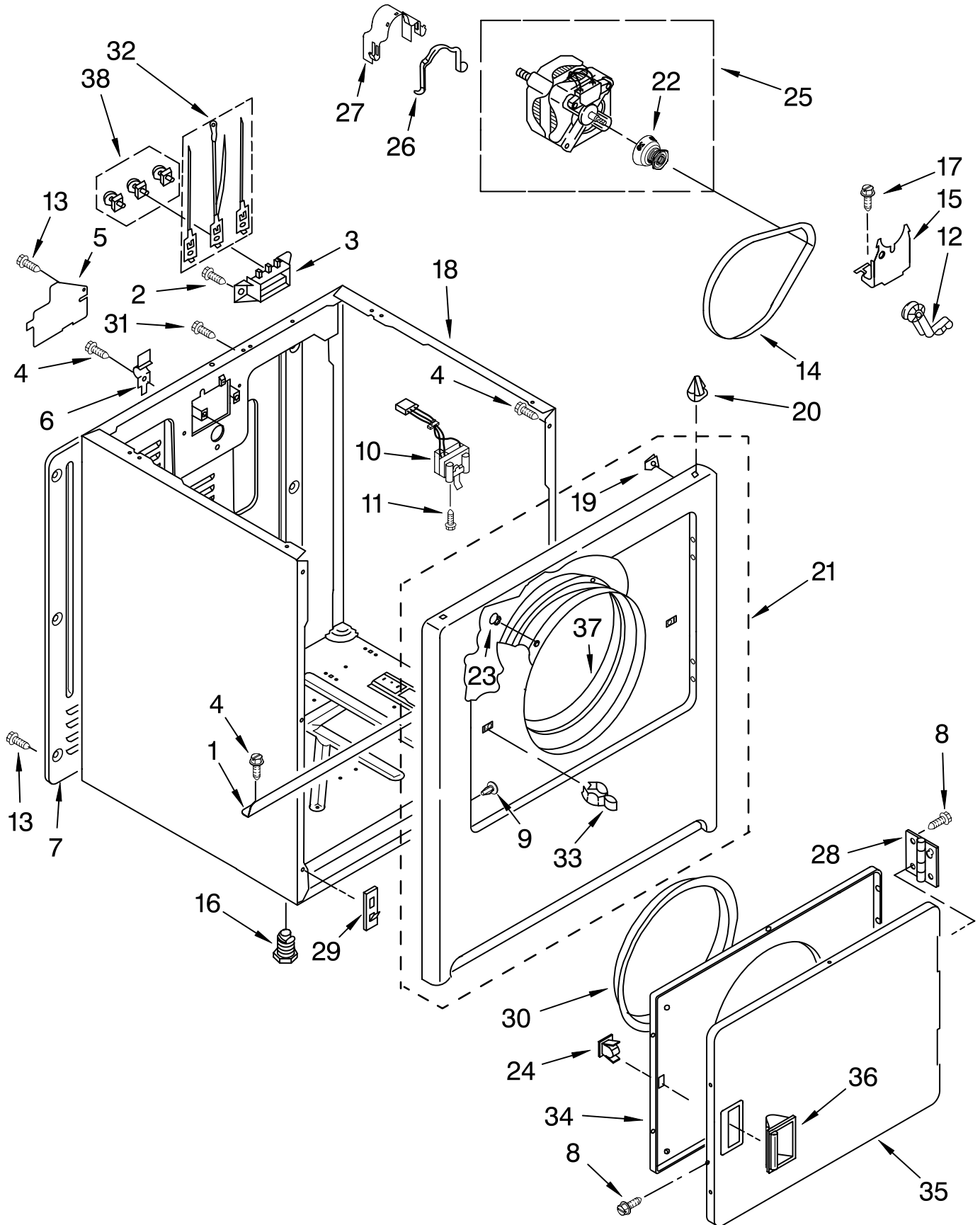
For Model: NED5100TQ0
(Designer White)

| Illus. No. | Part No. | DESCRIPTION |
|------------|-----------|-------------------------------|
| 1 | | Literature Parts |
| | W10150620 | Guide, Use & Care |
| | W10150612 | Instructions, Installation |
| | W10150656 | Sheet, Cycle Feature |
| | 8576793 | Wiring Diagram |
| 2 | 693995 | Screw, Hex Head |
| 3 | 8536939 | Spring, Clip Knob |
| 4 | 8271365 | Cap, End (L.H.) |
| 5 | 3936144 | Connector |
| 6 | 388326 | Screw, Console |
| 7 | 8533951 | Screw, Grounding |
| 8 | 8271359 | Cap, End (R.H.) |
| 9 | 8274261 | Panel, Rear Console |
| 10 | 8558467 | Screen, Lint |
| 11 | 3393815 | Wire, Jumper |
| 12 | 8533971 | Screw, 8-18 x 5/16 |
| 13 | 688983 | Screw, 8-18 x 5/8 |
| 15 | 3395683 | Connector (Motor) |
| 16 | 8557930 | Top |
| 17 | 694419 | Mini-Buzzer |
| 18 | 3394427 | Clip, Harness |
| 19 | 3391249 | Tie, Cable |
| 20 | 94614 | Terminal |
| 21 | 8299781 | Timer, 60 Hz. |
| 22 | 357213 | Nut, Push-In (2) |
| 23 | 8576500 | Harness, Wiring |
| 24 | 3977456 | Switch, Push-To-Start |
| 25 | W10110048 | Timer Knob Assembly |
| 26 | 8271418 | Bracket, Control |
| 27 | W10182636 | Panel, Control |
| 28 | W10110049 | Knob, Push-To-Start |

FOR ORDERING INFORMATION REFER TO PARTS PRICE LIST

CABINET PARTS

For Model: NED5100TQ0
(Designer White)



FOR ORDERING INFORMATION REFER TO PARTS PRICE LIST

CABINET PARTS

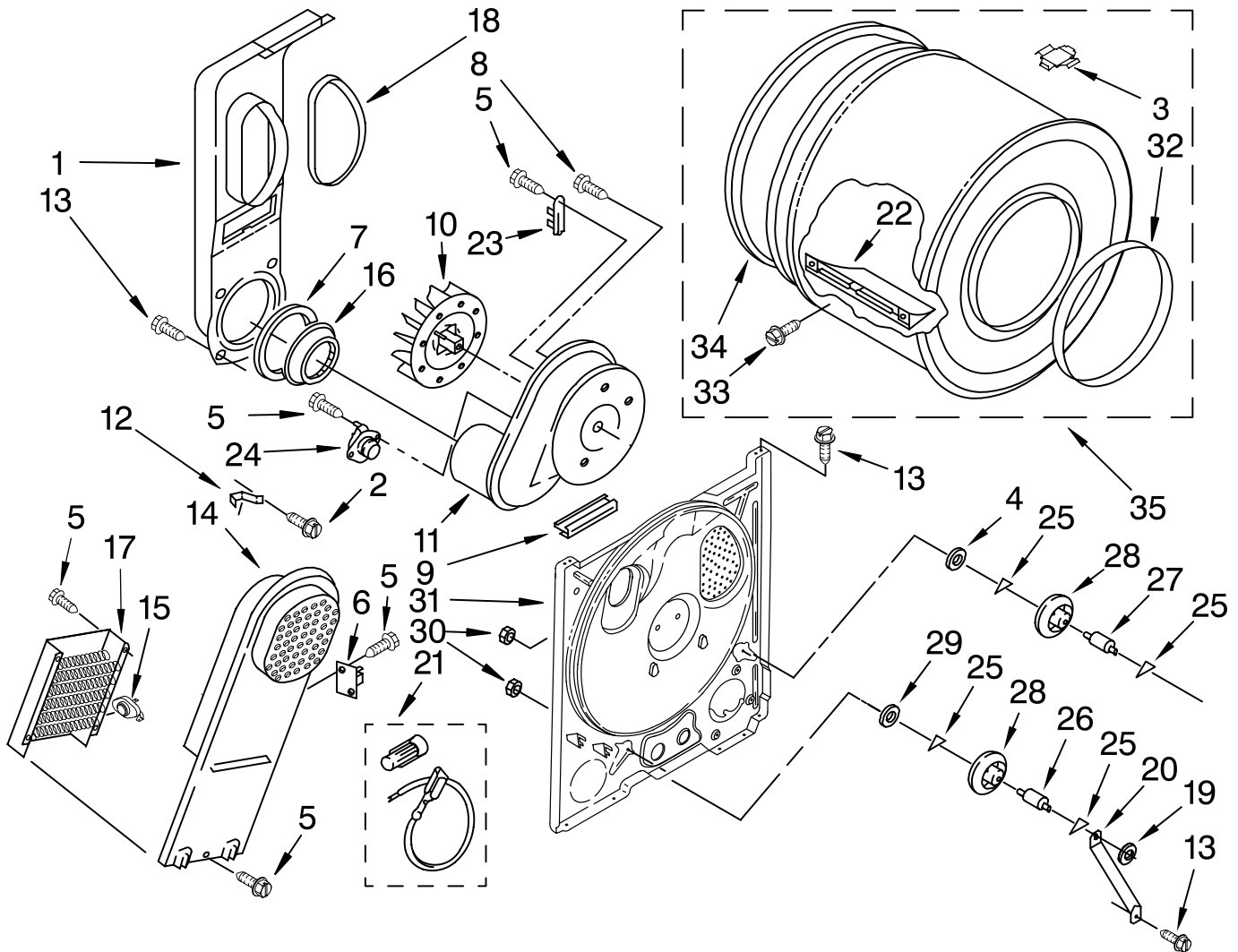
For Model: NED5100TQ0
(Designer White)

| Illus. No. | Part No. | DESCRIPTION | Illus. No. | Part No. | DESCRIPTION | Illus. No. | Part No. | DESCRIPTION |
|------------|-----------|-------------------------|------------|----------|-----------------------------|------------|----------|---|
| 1 | 8541400 | Bracket, Cabinet | 15 | 348780 | Base, Motor | 28 | 3405514 | Hinge and Pin Assembly (2) |
| 2 | 3393008 | Screw, 10-16 x 1/2 | 16 | 3392100 | Foot, Dryer (4) | 29 | 3394083 | Clip, Front Panel (2) |
| 3 | 3397659 | Block, Terminal | 17 | 3400500 | Bolt, 5/16 - 18 x 3/4 | 30 | 3405245 | Seal, Door |
| 4 | 343641 | Screw, 10-16 x 1/2 | 18 | 8530603 | Cabinet (Includes Illus. 1) | 31 | 697776 | Screw, 10-32 x 5/8 (External Ground) |
| 5 | 3396795 | Cover, Terminal Block | 19 | 98234 | Clip, Ground | 32 | 279318 | Terminal, Tinned & Brass (3) (Includes Item. 38) |
| 6 | 8066217 | Hinge, Top (2) | 20 | 690363 | Lock, Front Top (2) | 33 | 696144 | Strike, Door |
| 7 | 3396807 | Panel, Rear | 21 | 3403571 | Panel Front Assembly | 34 | 3403371 | Door, Rear |
| 8 | 342055 | Screw, 8-18 x 1/2 | 22 | 8066184 | Pulley, Motor | 35 | 3403361 | Door Front |
| 9 | 3404413 | Plug, Hinge Holes (4) | 23 | 685203 | Clip, Felt Pad | 36 | 3405184 | Handle, Door |
| 10 | 3406104 | Door Switch Assembly | 24 | 690081 | Catch, Door | 37 | 8066124 | Seal & Bearing Assembly |
| 11 | 697773 | Screw, 6-20 x 7/8 | 25 | 8066206 | Assembly, Motor | 38 | 279393 | Terminal Block Kit For Terminal Block |
| 12 | 691366 | Idler & Pulley Assembly | 26 | 660658 | Clamp, Motor | | | |
| 13 | 693995 | Screw, Hex Washer Head | 27 | 3404162 | Clamp, Motor W/Shield | | | |
| 14 | W10131364 | Belt Drive | | | | | | |

FOR ORDERING INFORMATION REFER TO PARTS PRICE LIST

BULKHEAD PARTS

For Model: NED5100TQ0
(Designer White)



| Illus. No. | Part No. | DESCRIPTION |
|------------|----------|--------------------------------------|
| 1 | 694283 | Lint Chute Assembly |
| 2 | 489463 | Screw, 8-18 x 5/8 |
| 3 | 8066086 | Drum Hole Plug |
| 4 | 3388703 | Washer, Support |
| 5 | 90767 | Screw, 8-18 x 3/8 |
| 6 | 3977393 | Thermal Cut-Off (Includes Illus. 15) |
| 7 | 347139 | Seal, Lint Chute |
| 8 | 3390647 | Screw, 8-18 x 1/2 |
| 9 | 3392247 | Pad, Blower Housing |
| 10 | 694089 | Wheel, Blower |

| Illus. No. | Part No. | DESCRIPTION |
|------------|----------|---|
| 11 | 8577230 | Housing, Blower |
| 12 | 3398161 | Clip |
| 13 | 343641 | Screw, 10-16 x 1/2 |
| 14 | 8541818 | Box, Heater |
| 15 | 3977767 | Thermostat, High Limit 221°F (105°C) |
| 16 | 696302 | Shield, Exhaust |
| 17 | 3403585 | Element, Heater |
| 18 | 339956 | Seal |
| 19 | 90296 | Clip |
| 20 | 3976435 | Bracket, Support |
| 21 | 279457 | Wire Kit (For Heater Element Wiring Harness Repair) |

| Illus. No. | Part No. | DESCRIPTION |
|------------|-----------|---------------------------|
| 22 | 342847 | Baffle, Drum |
| 23 | 3392519 | Fuse, Thermal |
| 24 | 3387134 | Thermostat, Internal Bias |
| 25 | 690997 | Ring, Tri |
| 26 | 3399506 | Shaft, L.H. |
| 27 | 3399507 | Shaft, R.H. |
| 28 | 3397590 | Roller, Support |
| 29 | 348197 | Washer, Support |
| 30 | 3359452 | Nut, 3/8-16 |
| 31 | 8529955 | Bulkhead |
| 32 | 3394509 | Ring, Bearing |
| 33 | W10109200 | Screw, 11-16 x 3/4 |
| 34 | 8066085 | Seal, Rear Drum |
| 35 | 3396777 | Drum Assembly |

FOR ORDERING INFORMATION REFER TO PARTS PRICE LIST

OPTIONAL PARTS (NOT INCLUDED)

For Model: NED5100TQ0
(Designer White)

| Illus. | Part | |
|---------------|-------------|--------------------|
| No. | No. | DESCRIPTION |

ACCESSORY PARTS

| | |
|---------|----------------------------|
| 279948 | Kit, Dryer Repair |
| 689790 | Dry Rack |
| 8522199 | Kit, Dryer Vent Testing |

PAINT, TOUCH-UP (1/2oz.)

| | |
|-------|-------|
| 72017 | White |
|-------|-------|

PAINT, PRESSURIZED SPRAY (12 oz.)

| | |
|--------|--------------|
| 350930 | White |
| 350938 | Primer, Gray |

PAINT, BULK (1 qt.)

| | |
|--------|---------------|
| 799344 | White (Uncut) |
|--------|---------------|