

# Drying Tumblers

Stacked 30 Pound Capacity  
(Models Prior to Serial DTCK9401011756)  
Refer to Page 3 for Model Numbers

Parts



# Table of Contents

Title	Page
Parts Ordering Information .....	2
Nameplate Location .....	2
Model Identification .....	3
Single Coin Drop .....	4
Dual Coin Drop .....	6
Cover Plate .....	8
Microprocessor .....	10
Front Panel Assembly .....	12
Front Panel Assembly .....	14
Side Panels .....	16
Loading Door .....	18
Lint Drawer .....	20
Cylinder .....	22
Drive Shaft .....	24
Drive Shaft .....	26
Blower Housing and Fan .....	28
Motor and Belt Guard .....	30
Thermostat and Burner .....	32
Gas Valve .....	34
Gas Valve Coils .....	36
Orifice Sizing for Stacked Tumbler Gas Valves .....	38
120/208-240 Volt, 60 Hertz Junction Box .....	40
240 Volt, 50 Hertz Junction Box .....	42
120/208-240 Volt, 60 Hertz Junction Box .....	44
240 Volt, 50 Hertz Junction Box .....	46
Stickers and Labels – Front .....	48
Stickers and Labels – Rear .....	50
Coin Drop Assemblies .....	52
Wire Harnesses .....	53
Parts Index .....	55

© Copyright 2000, Alliance Laundry Systems LLC

All rights reserved. No part of the contents of this book may be reproduced or transmitted in any form or by any means without the expressed written consent of the publisher.

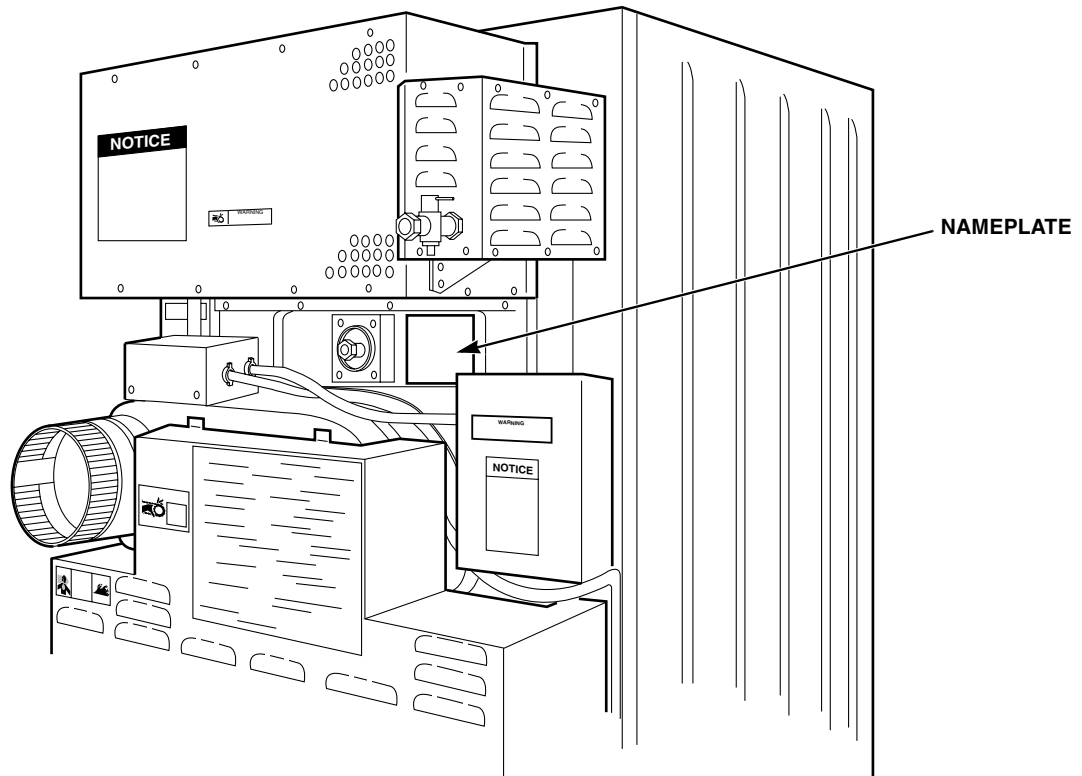
# Parts Ordering Information

If literature or replacement parts are required, contact the source from whom the machine was purchased or contact Alliance Laundry Systems LLC at (920) 748-3950 for the name and address of the nearest authorized parts distributor.

For technical assistance, call (920) 748-3121.

## Nameplate Location

When calling or writing about your product, be sure to mention model and serial numbers. Model and serial numbers are located on nameplate(s) as shown.



T278P

# Model Identification

Information in this manual is applicable to these stacked drying tumblers:

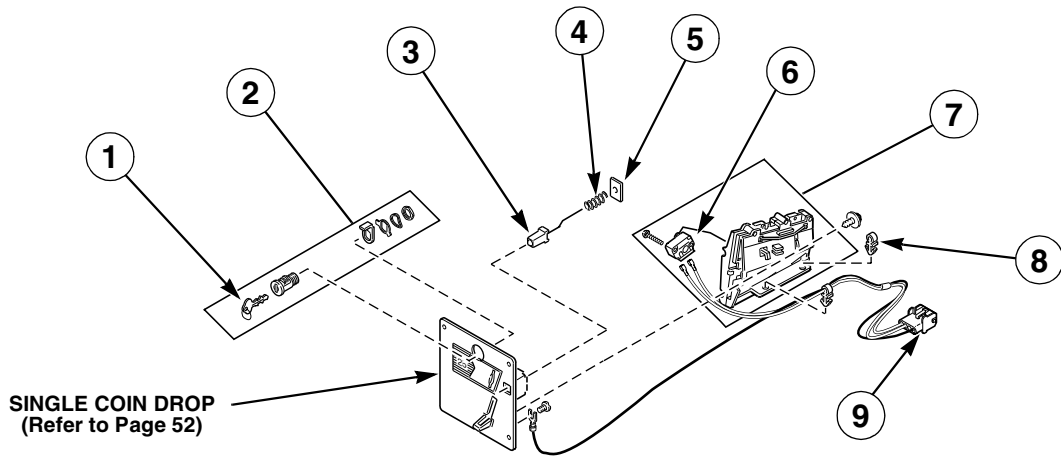
JTD32DG

JCD32DG

STD32DG

SCD32DG

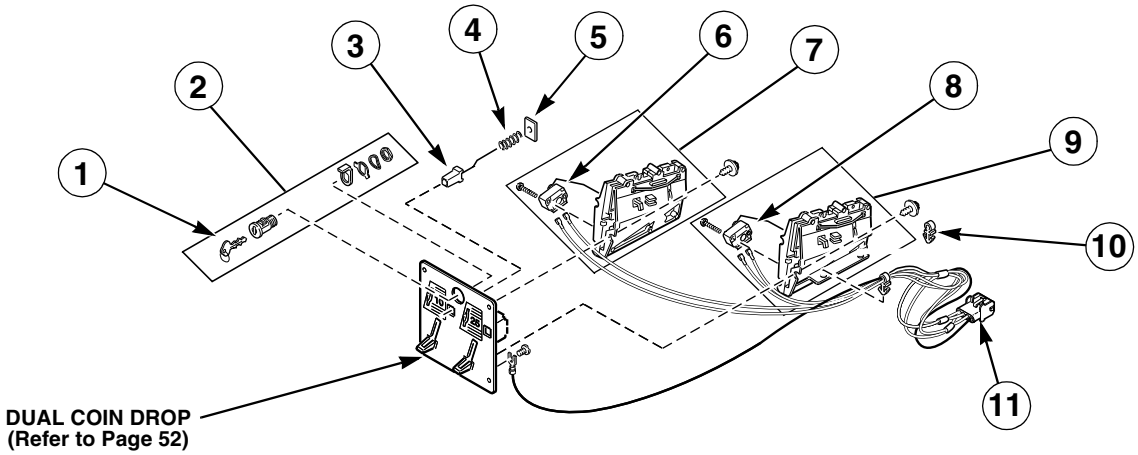
# Single Coin Drop



# Single Coin Drop

REF	PART NO.	DESCRIPTION	COMMENTS
1	430664	Key	
2	430671	Lock	
3	81312J	Push Button	
4	81312K	Spring	
5	81312L	Cover Plate	
6	M412095	Coin Switch	
7	M412094	Rejector	
8	430535	Clip	
9	430613	Wire Harness	

# Dual Coin Drop



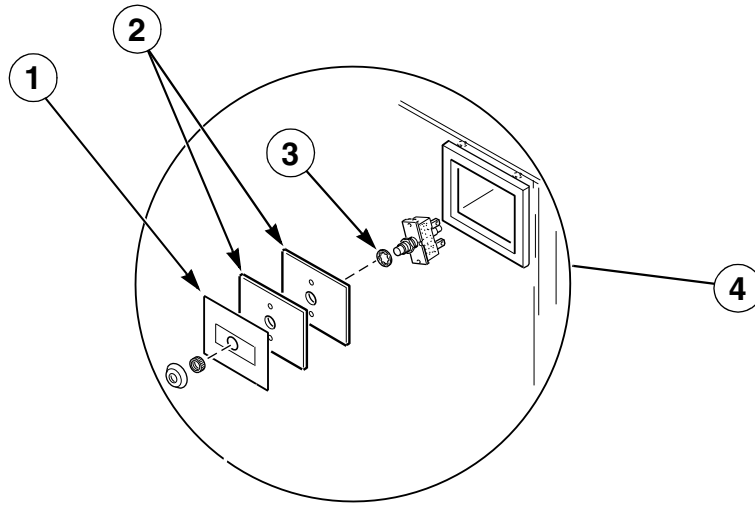
# Dual Coin Drop

REF	PART NO.	DESCRIPTION	COMMENTS
1	430664	Key	
2	430671	Lock	
3	81312J	Push Button	
4	81312K	Spring	
5	81312L	Cover Plate	
6	81312G	Coin Switch	
7	81312D	Rejector	
8	M412095	Coin Switch	
9	M412094	Rejector	
10	430535	Clip	
11	430343	Wire Harness	



# Cover Plate

For Manual Start Kit



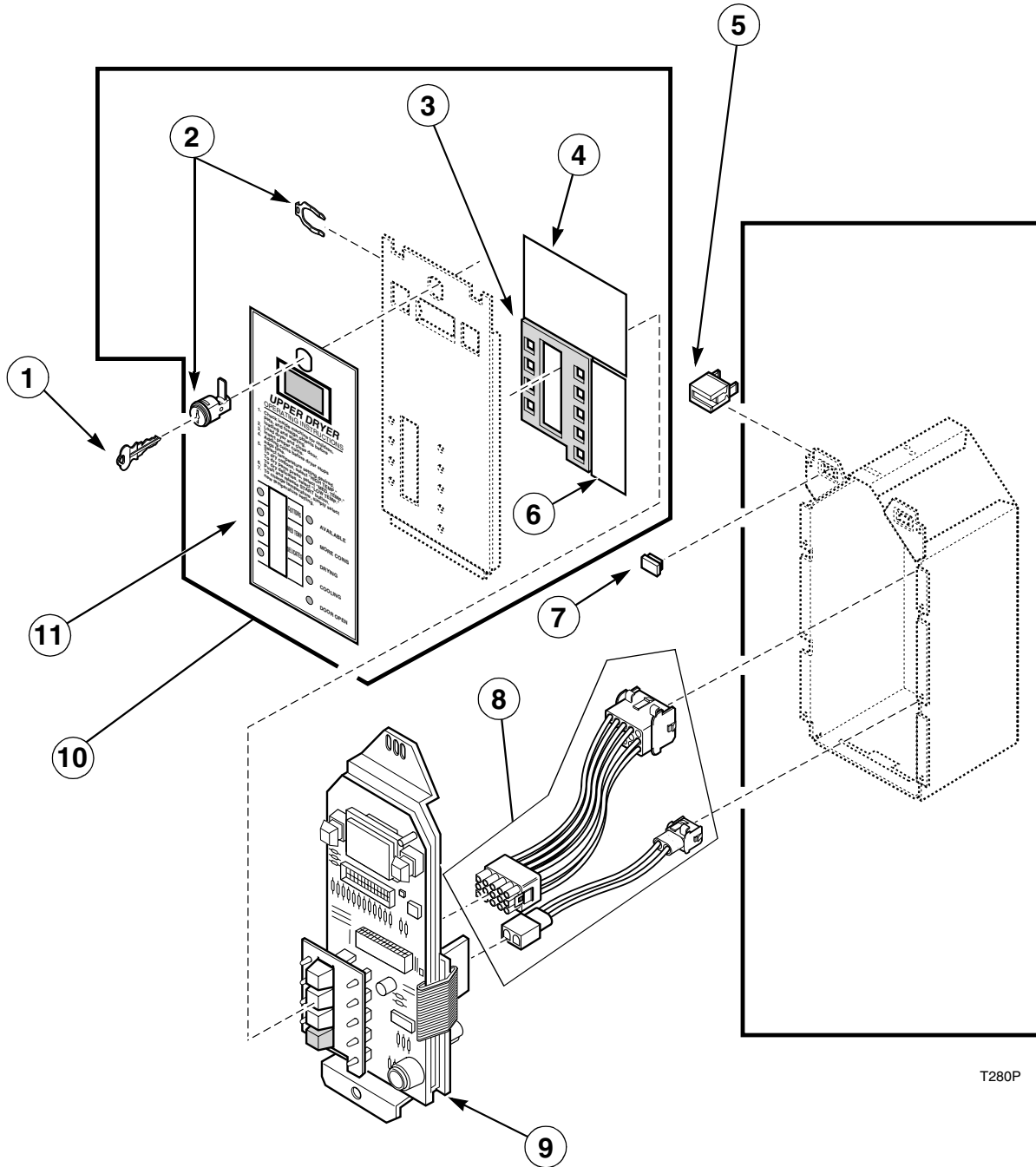
# Cover Plate

For Manual Start Kit

REF	PART NO.	DESCRIPTION	COMMENTS
	430974	Outer Front Plate	Used to close off coin vault opening
	430837	Carriage Bolt	Prior to Serial No. DTCK0728885ZH
	431114	Retaining Bolt	Starting with Serial No. DTCK0728885ZH
	20275	Hex Nut	Prior to Serial No. DTCK0728885ZH
	M401930	Square Nut	Starting with Serial No. DTCK0728885ZH
1	M406303	Instruction Plate	
2	81637	Switch Plate	2 Required
3	02377	Lockwasher	2 Required
4	430799	Manual Start Assembly	Replaces Coin Drop

**DTCK0728885ZH was Serial No. for models with angled Coin Vault located below Coin Drop.  
Single Coin Drops did not change with Coin Vault change.**

# Microprocessor



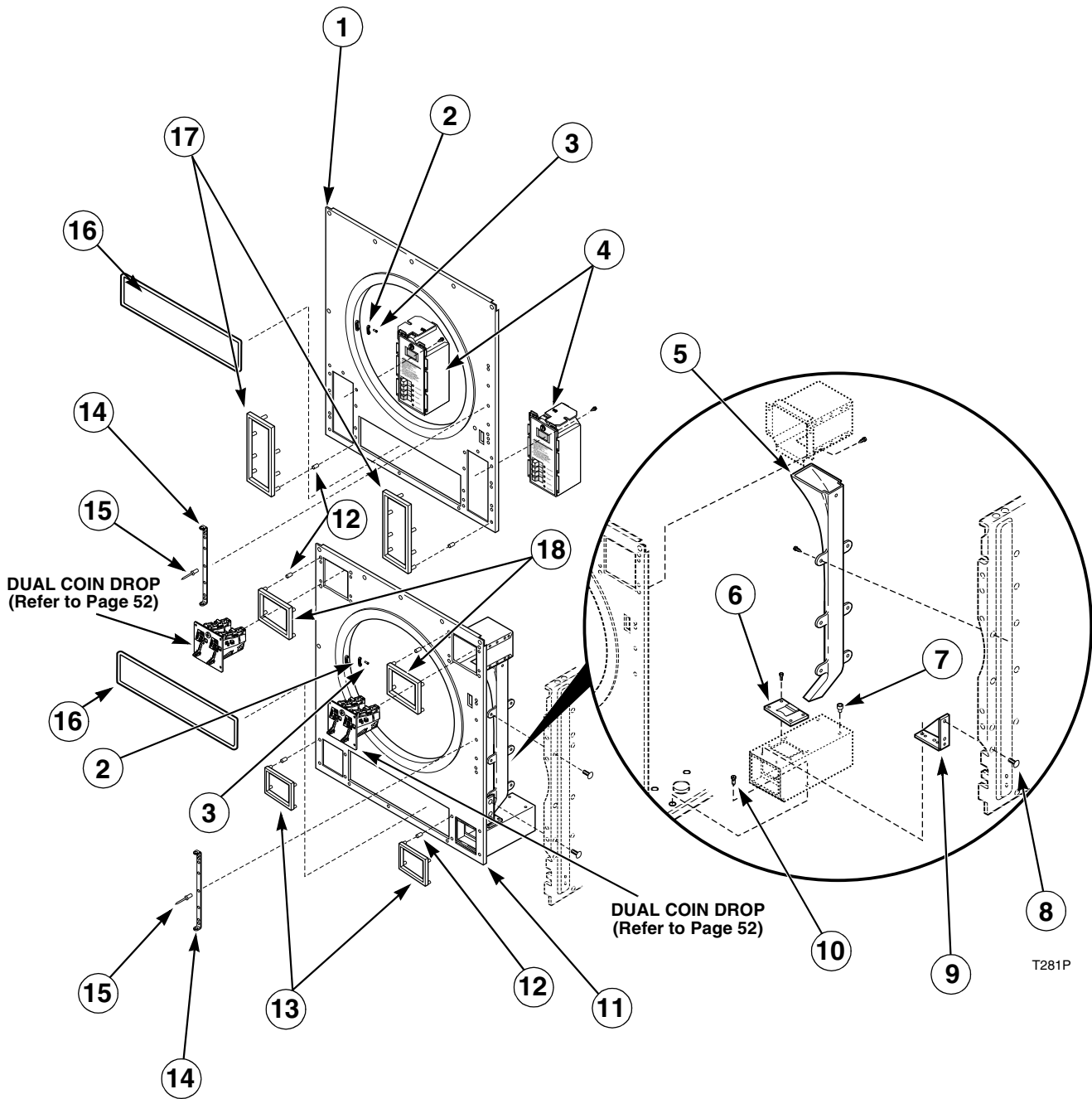
T280P

# Microprocessor

REF	PART NO.	DESCRIPTION	COMMENTS
1	430664	Key	
2	430832	Lock	
3	430274	Gasket	
4	430291	Program Instructions	
5	430562	Service Soon Light	Prior to Serial No. DTCK9211033714
6	430596	Sticker	
7	430561	Lens	Prior to Serial No. DTCK9211033714
8	430330P	Wire Harness Kit	
9	430640P	Microprocessor	
10	430905	Microprocessor Door Assembly	Left
	430907	Microprocessor Door Assembly	Right
11	430906	Graphics Panel	Left
	430908	Graphics Panel	Right

# Front Panel Assembly

(Prior to Serial No. DTCK0728885ZH)



# Front Panel Assembly

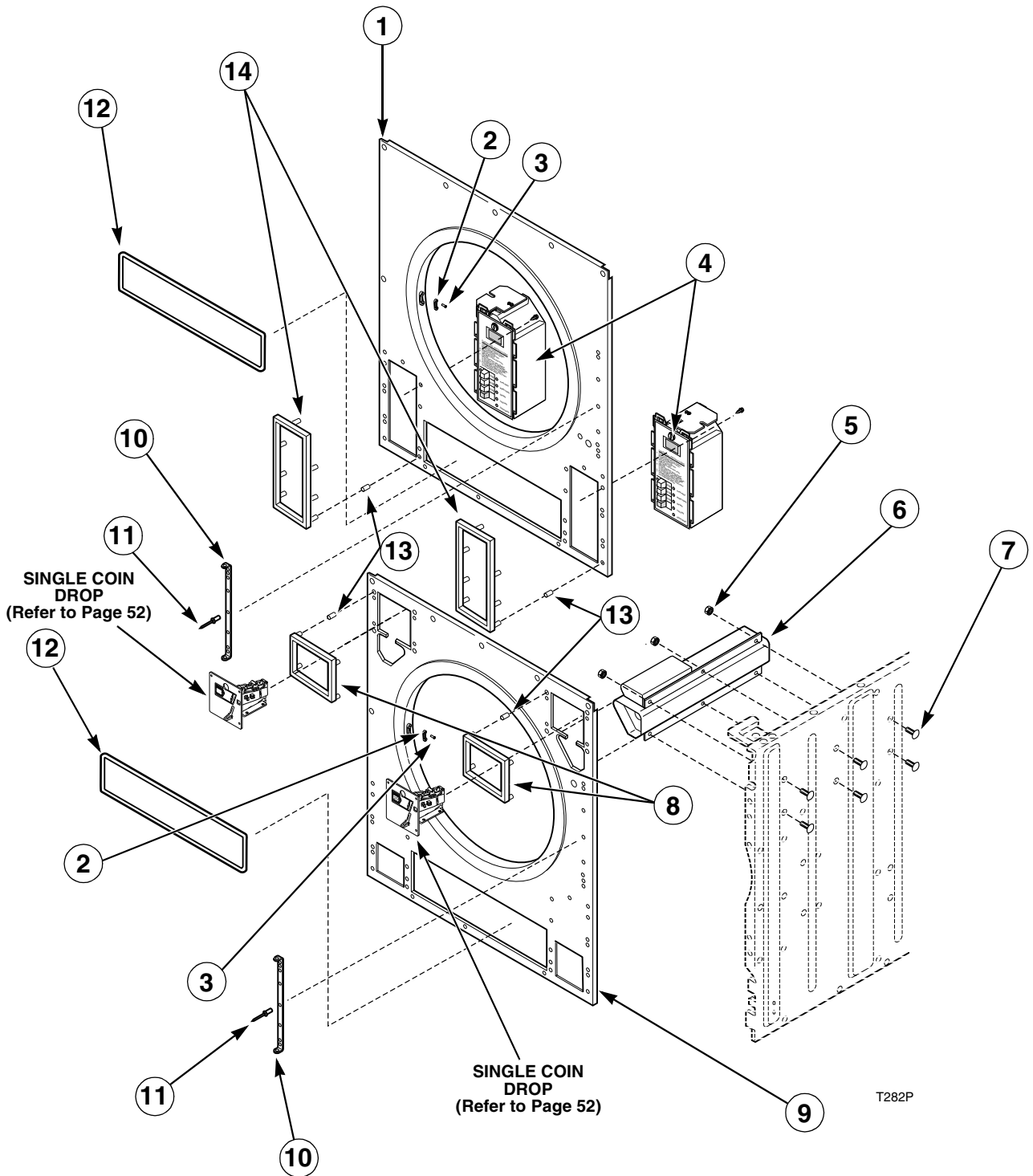
(Prior to Serial No. DTCK0728885ZH)

REF	PART NO.	DESCRIPTION	COMMENTS
1	431323*	Front Panel – Upper	Painted
	431169	Front Panel – Upper	Stainless Steel
2	M401223	Catch	Included with Front Panel
3	M400003	Rivet	Included with Front Panel
4	430640P	Microprocessor	
5	430228	Coin Chute	
6	430452	Coin Chute Bracket	Left
	430451	Coin Chute Bracket	Right
7	430460	Plug	
8	430489	Rivet	
9	430382	Coin Vault Bracket	
10	430449	Screw	
11	431324*	Front Panel – Lower	Painted
	431170	Front Panel – Lower	Stainless Steel
12	M400972	Clip	
13	430548	Coin Vault Shadow Box	
14	431000*	Hinge Bracket	Painted, included with Front Panel
	431044	Hinge Bracket	Stainless Steel, included with Front Panel
15	M410762	Rivet	Included with Front Panel
16	430638	Seal	Included with Front Panel
17	431326	Microprocessor Shadow Box	
18	430995	Coin Drop Shadow Box	

\* Add letter to designate color:    L - Almond            W - White            V - Orange            K - Red  
     B - Battina Green    H - Harvest Gold    X - Electric Blue    P - Turquoise

# Front Panel Assembly

(Serial No. DTCK0728885ZH through Serial No. DTCK9312664705)



# Front Panel Assembly

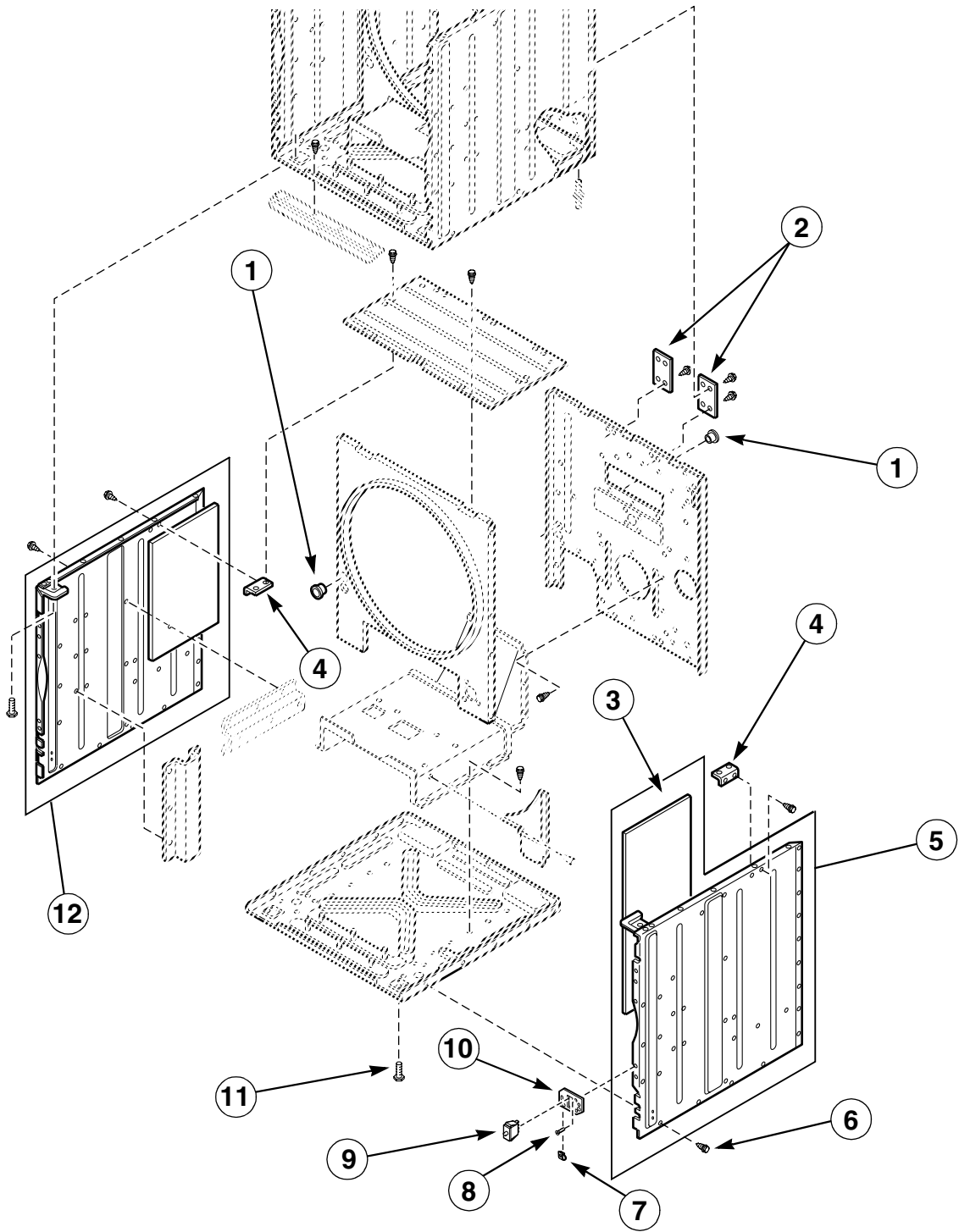
(Serial No. DTCK0728885ZH through Serial No. DTCK9312664705)

REF	PART NO.	DESCRIPTION	COMMENTS
1	431142*	Front Panel – Upper	Painted
	431221	Front Panel – Upper	Stainless Steel
2	M401223	Catch	Included with Front Panel
3	M400003	Rivet	Included with Front Panel
4	430640P	Microprocessor	
5	23951	Nut	6 Required
6	430982*	Coin Vault	Left
	430972*	Coin Vault	Right
7	431027	Screw	6 Required
8	430548	Coin Vault Shadow Box	
9	431143*	Front Panel – Lower	Painted
	431222	Front Panel – Lower	Stainless Steel
10	431000*	Hinge Bracket	Painted, included with Front Panel
	431044	Hinge Bracket	Stainless Steel, included with Front Panel
11	M410762	Rivet	Included with Front Panel
12	430638	Seal	Included with Front Panel
13	M400972	Clip	
14	431326	Microprocessor Shadow Box	

\* Add letter to designate color:    **L - Almond**      **W - White**      **V - Orange**      **K - Red**  
    **B - Battina Green**    **H - Harvest Gold**    **X - Electric Blue**    **P - Turquoise**



# Side Panels

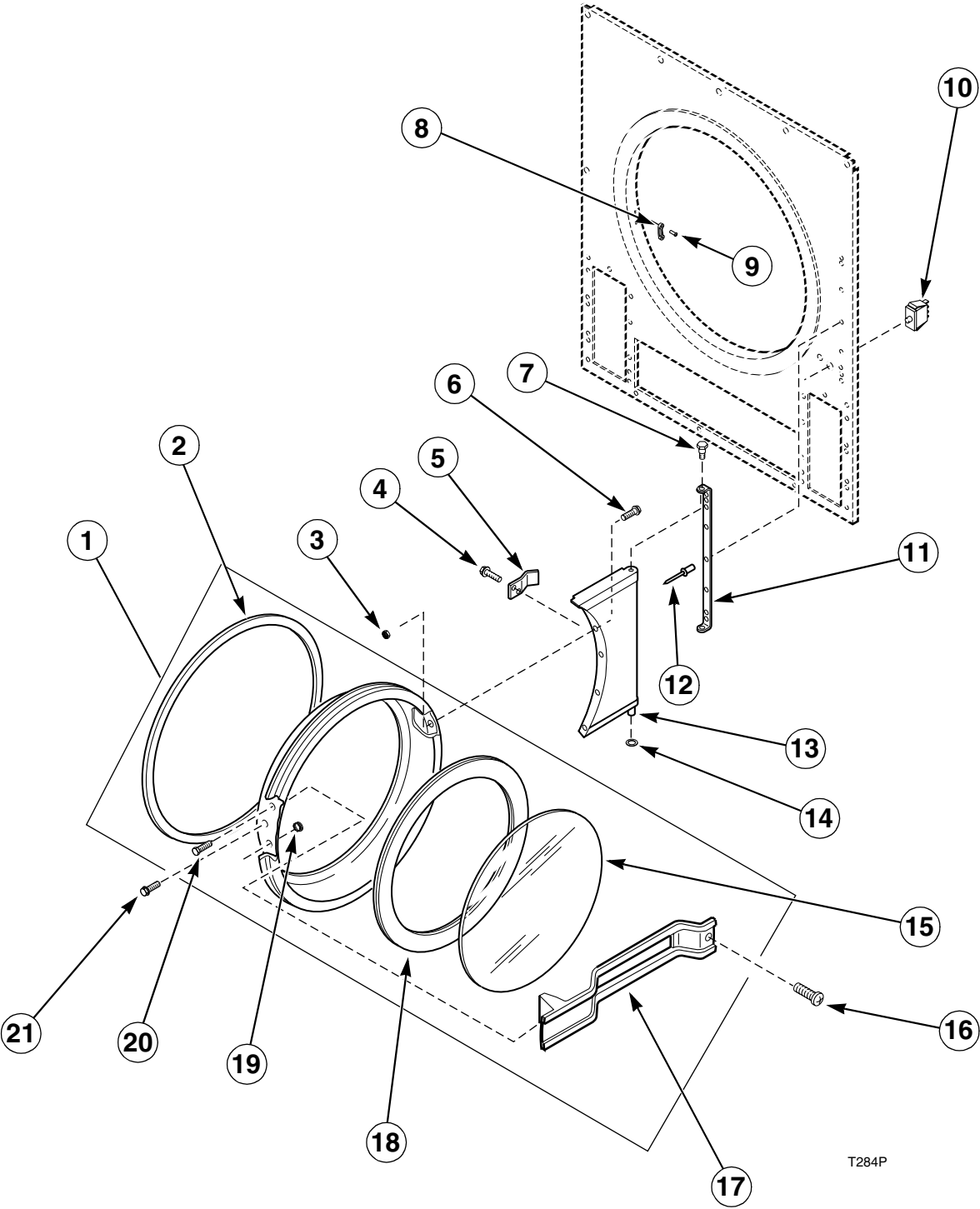


T283P

## Side Panels

REF	PART NO.	DESCRIPTION	COMMENTS
1	M402542	Bushing	
2	430581	Bracket	
3	430043	Insulation	
4	430447	Bracket	
5	431049	Side Panel and Insulation	Right
6	27196	Hex Head Screw	
	431167	Torx Head Screw	
7	431045	Speed Nut	
8	28193	Screw	
9	M406103	Door Switch	Located on front panel prior to Serial No. DTCK0728885ZH
10	431118	Door Switch Bracket	
11	M400063	Leveling Leg	
12	431048	Side Panel and Insulation	Left

# Loading Door



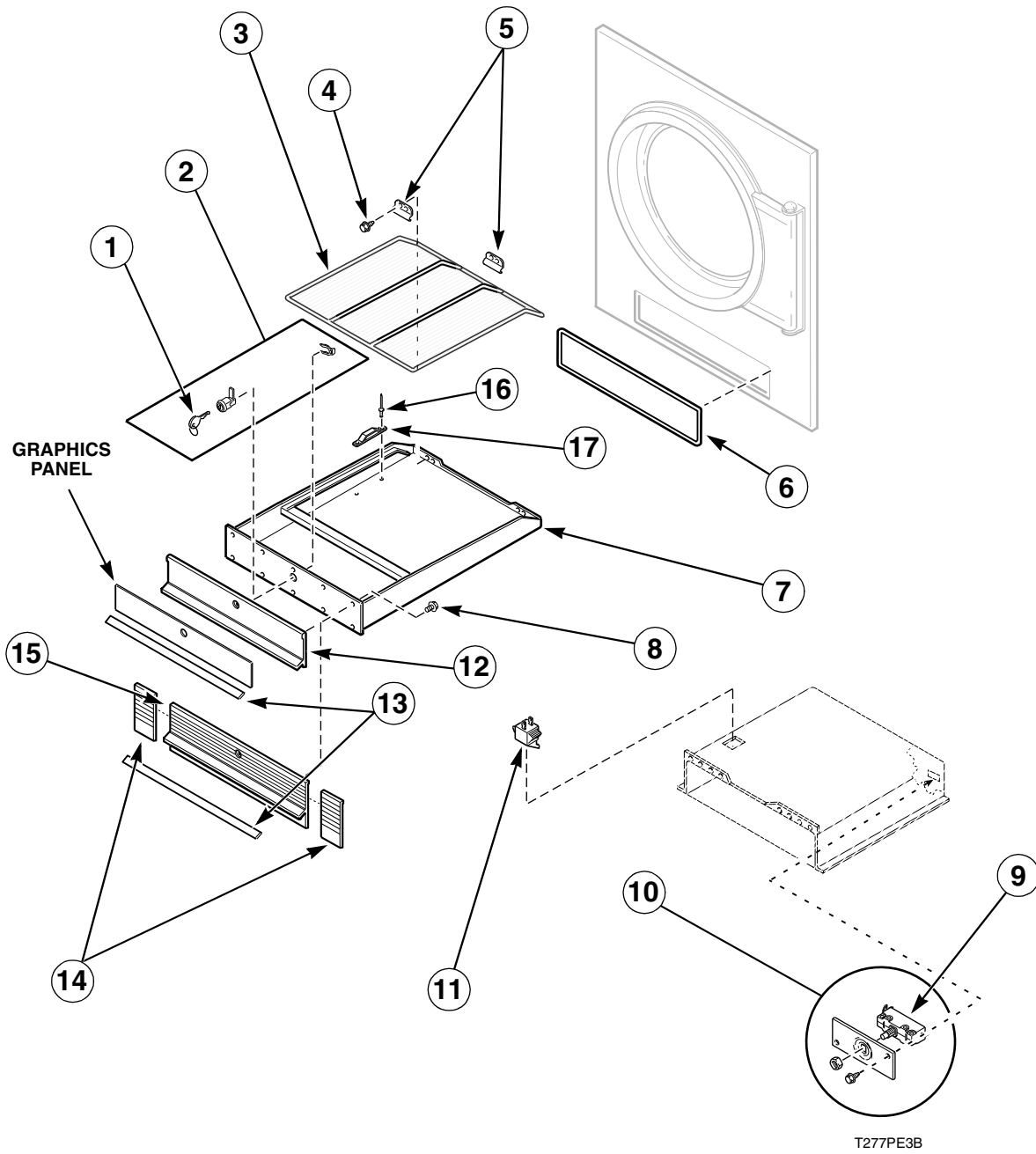
T284P

# Loading Door

REF	PART NO.	DESCRIPTION	COMMENTS
1	430476	Door Assembly	
2	M406129	Door Gasket	
3	23951	Nut	
4	430497	Screw	
5	430432	Door Switch Tab	
6	M400044	Screw	
7	M400653	Hinge Pin	
8	M401223	Catch	
9	M400003	Rivet	
10	M406103	Door Switch	Located on side panel starting with Serial No. DTCK0728885ZH
11	431000*	Hinge Bracket	Painted, included with Front Panel
	431044	Hinge Bracket	Stainless Steel, included with Front Panel
12	M410762	Rivet	
13	M402714*	Door Hinge	Painted
	M400514	Door Hinge	Stainless Steel
14	M400675	Nylon Washer	
15	M400784	Door Glass	
16	M409385	Screw	
17	430459	Door Handle	
18	M400962	Door Glass Seal	
19	430649	Plug	
20	430756	Screw	
21	M400661	Screw	

\* Add letter to designate color:    L - Almond            W - White            V - Orange            K - Red  
     B - Battina Green    H - Harvest Gold    X - Electric Blue    P - Turquoise

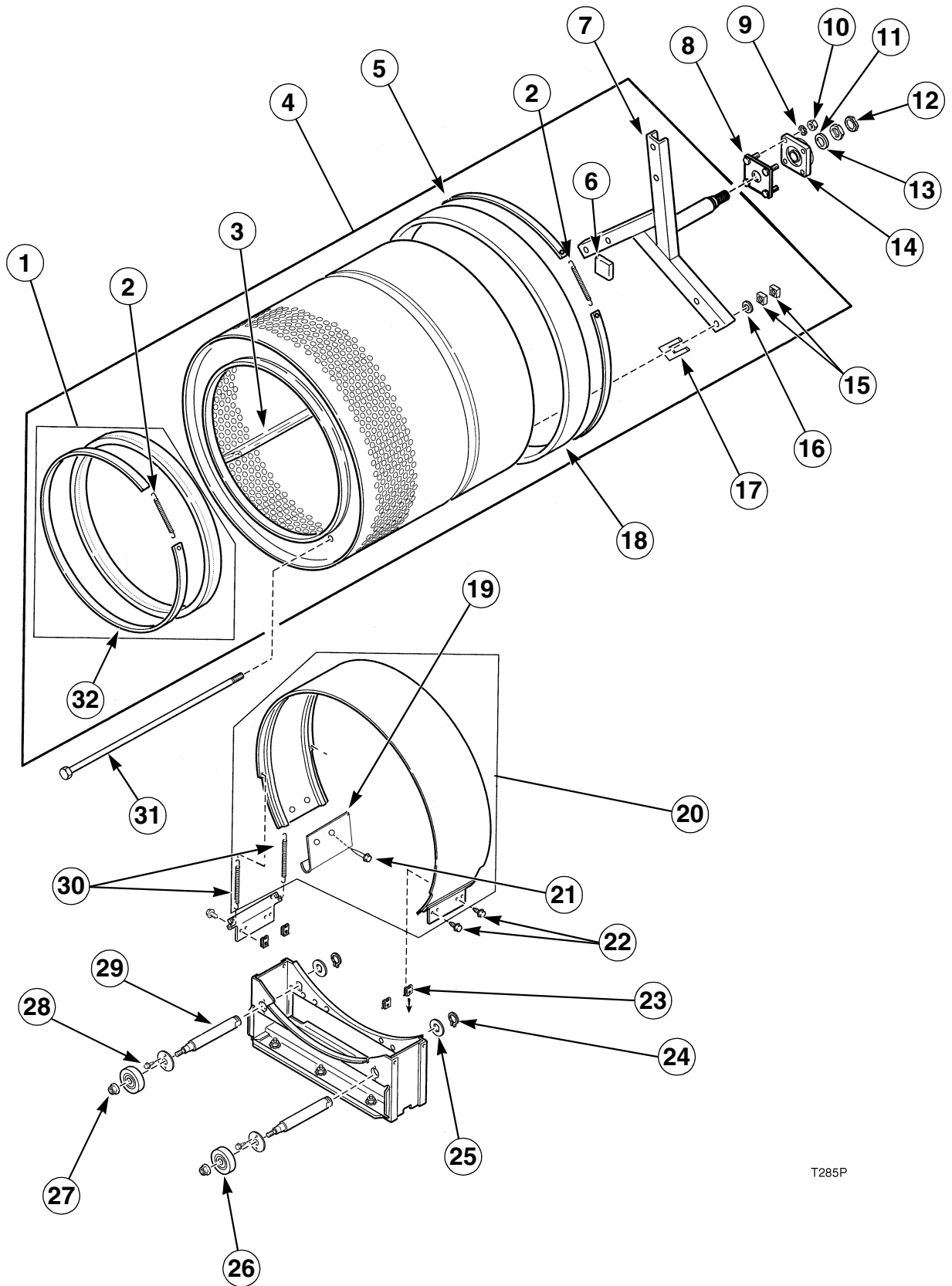
# Lint Drawer



# Lint Drawer

REF	PART NO.	DESCRIPTION	COMMENTS
1	430664	Key	
2	430429	Lock and Key	
3	430482	Lint Screen	Prior to Serial No. DTCK9308000527
	431215	Lint Screen	Starting with Serial No. DTCK9308000527
4	51780	Screw	
5	430126	Bracket	
6	430638	Seal	
7	430490	Lint Drawer	Prior to Serial No. DTCK9308000527
	431248	Lint Drawer	Starting with Serial No. DTCK9308000527
8	430757	Screw	
9	430540	Switch	
10	430473	Lint Drawer Switch and Plate	Prior to Serial No. DTCK9308000527
11	431159	Lint Drawer Switch	Starting with Serial No. DTCK9308000527
12	430385	Upper Front Plate	
13	430527	Label	
14	431001	Extension	Starting with Serial No. DTCK9308000527
15	430386	Lower Front Plate	Prior to Serial No. DTCK9308000527
	431003	Lower Front Plate	Starting with Serial No. DTCK9308000527
16	430489	Rivet	
17	431275	Actuator	Starting with Serial No. DTCK9308000527

# Cylinder



T285P

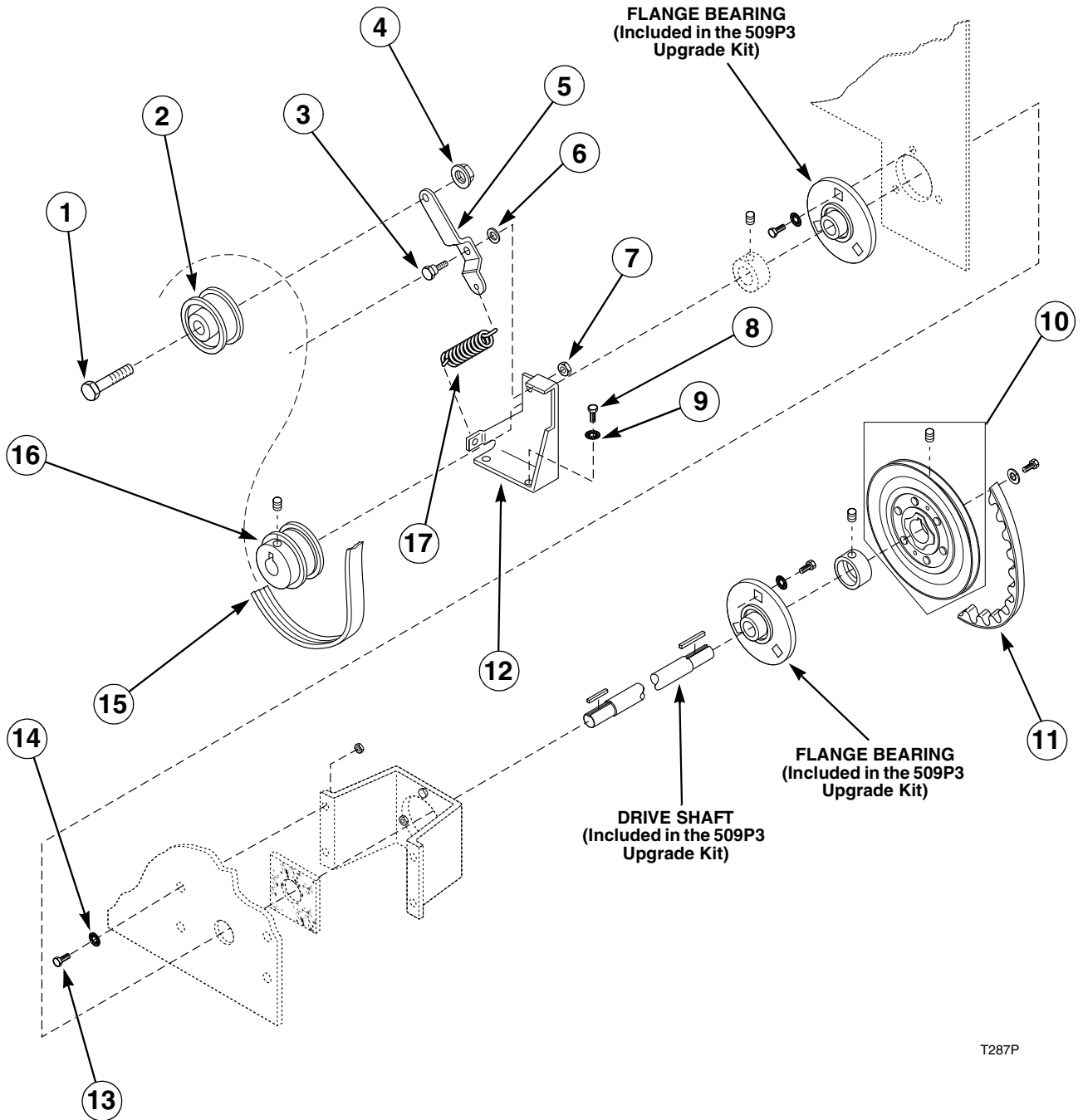
# Cylinder

REF	PART NO.	DESCRIPTION	COMMENTS
1	430844P	Front Seal and Strap Kit	
2	52310	Spring	
3	430099	Cylinder Rib	
4	430580	Cylinder and Trunnion Assembly	
5	430355	Seal Strap	
6	M402144	Felt Pad	
7	430219	Trunnion Assembly	
8	430352	Stud Plate	
9	02834	Washer	
10	02428	Jam Nut	
11	M400022	Nut	
12	M400034	Pal Nut	
13	M400991	Washer	
14	430260	Cylinder Support Bearing Assembly	
15	M401930	Nut	
16	M410947	Washer	
17	M401402	Shim	
18	430105P	Rear Cylinder Seal with Adhesive	
19	431198	Bumper	
20	430884P	Sweep Sheet Kit	
21	M400003	Rivet	
22	33561	Screw	
23	430886	Speed Nut	4 Required
24	70061	Retaining Ring	2 Required
25	430427	Washer	2 Required
26	430019	Roller	2 Required
27	430576	Forge Nut	2 Required
28	431314	Retainer	2 Required
29	431315	Roller Shaft	2 Required
30	430954	Spring	
31	430155	Rib Rod	
32	430845	Seal Strap	



# Drive Shaft

(Prior to Serial No. DTCK0696605YF)



T287P

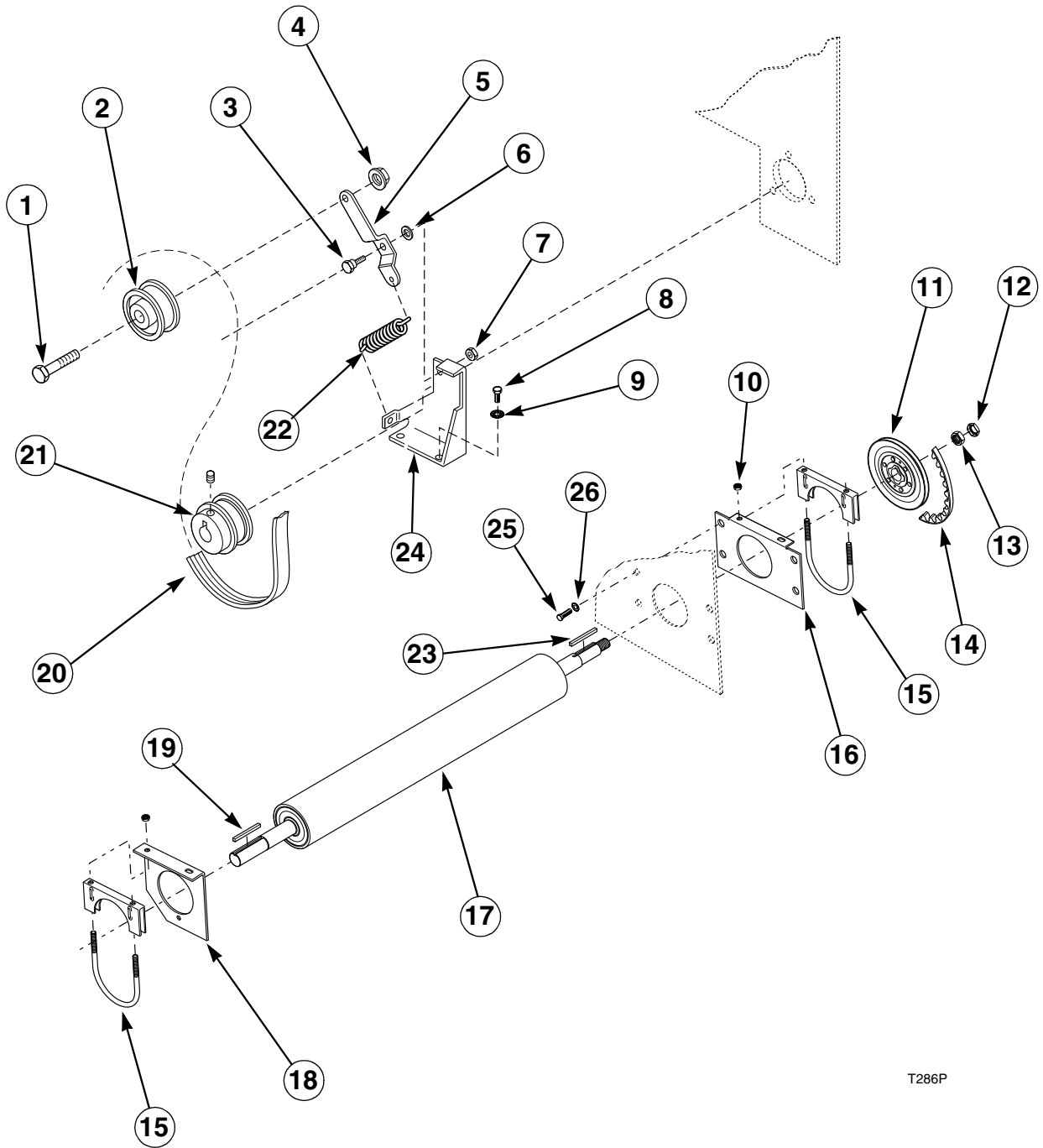
# Drive Shaft

(Prior to Serial No. DTCK0696605YF)

REF	PART NO.	DESCRIPTION	COMMENTS
1	430648	Cap Screw	
2	430619	Idler Wheel	
3	431381	Shoulder Screw	
4	56156	Nut	
5	430263	Idler Arm	
6	430782	Washer	
7	52566	Nut	
8	02422	Screw	
9	91093	Washer	
10	430800P	Pulley with Set Screw	
11	430054	Belt	
12	430193	Bracket	
13	01355	Screw	
14	02834	Washer	
15	430104	Belt	
16	430050P	Sheave	
17	430301	Spring	

# Drive Shaft

(Starting with Serial No. DTCK0696605YF)



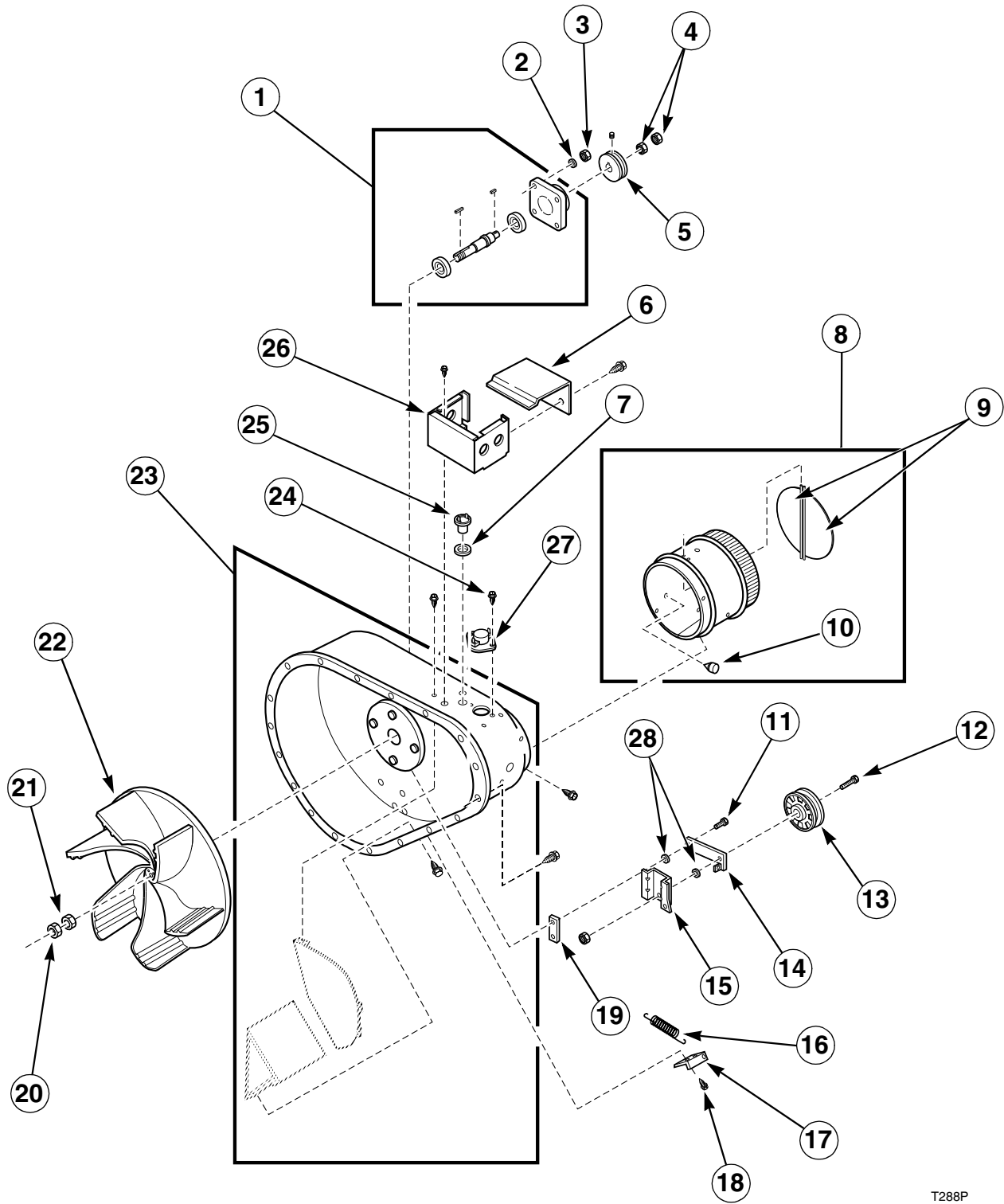
T286P

# Drive Shaft

(Starting with Serial No. DTCK0696605YF)

REF	PART NO.	DESCRIPTION	COMMENTS
1	430648	Cap Screw	
2	430619	Idler Wheel	
3	431381	Shoulder Screw	
4	56156	Nut	
5	430263	Idler Arm	
6	430782	Washer	
7	52566	Nut	
8	02422	Screw	
9	91093	Washer	
10	80116	Nut	
11	430800P	Pulley with Set Screw	
12	M400034	Pal Nut	
13	M400022	Nut	
14	430054	Belt	
15	430862	U-Bolt Clamp	
16	430857	Rear Reinforcement Plate	
17	430867	Drive Shaft Assembly	
18	430856	Front Reinforcement Plate	
19	M401327	Key	
20	430104	Belt	
21	430050P	Sheave	
22	430301	Spring	
23	M400993	Key	
24	430193	Bracket	
25	01355	Screw	
26	02834	Washer	

# Blower Housing and Fan

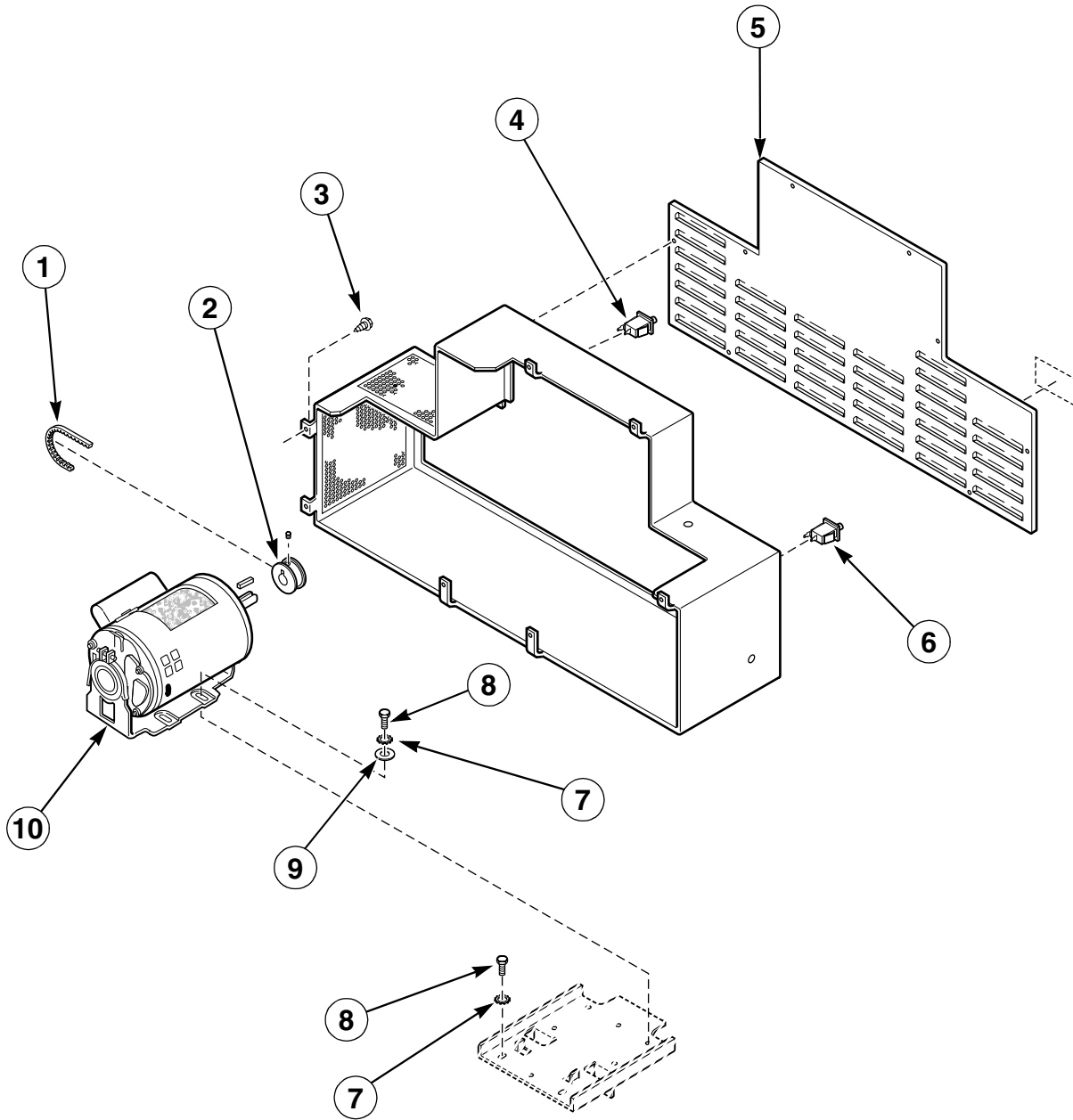


T288P

# Blower Housing and Fan

REF	PART NO.	DESCRIPTION	COMMENTS
1	430958	Bearing Housing and Shaft Assembly	
2	02834	Washer	
3	02428	Nut	
4	430875	Nut	
5	430849	Sheave	
6	430339	Cover	
7	29443	Felt Washer	
8	430536	Thimble and Vane Assembly	
9	430534	Vane	2 Required
10	M400745	Rubber Bumper	
11	430346	Shoulder Screw	
12	430648	Screw	
13	430619	Idler Wheel	
14	430263	Idler Arm	
15	430193	Bracket	
16	430252	Spring	
17	430251	Tab	
18	27196	Screw	
19	430850	Spacer	
20	M400034	Pal Nut	
21	M400022	Jam Nut	
22	M410088P	Fan	
23	430061	Blower Housing	
24	23962	Screw	
25	M409114	Temperature Sensor	
26	430338	Side and Back Cover	
27	M406412	Limit Thermostat	
28	430782	Washer	

# Motor and Belt Guard



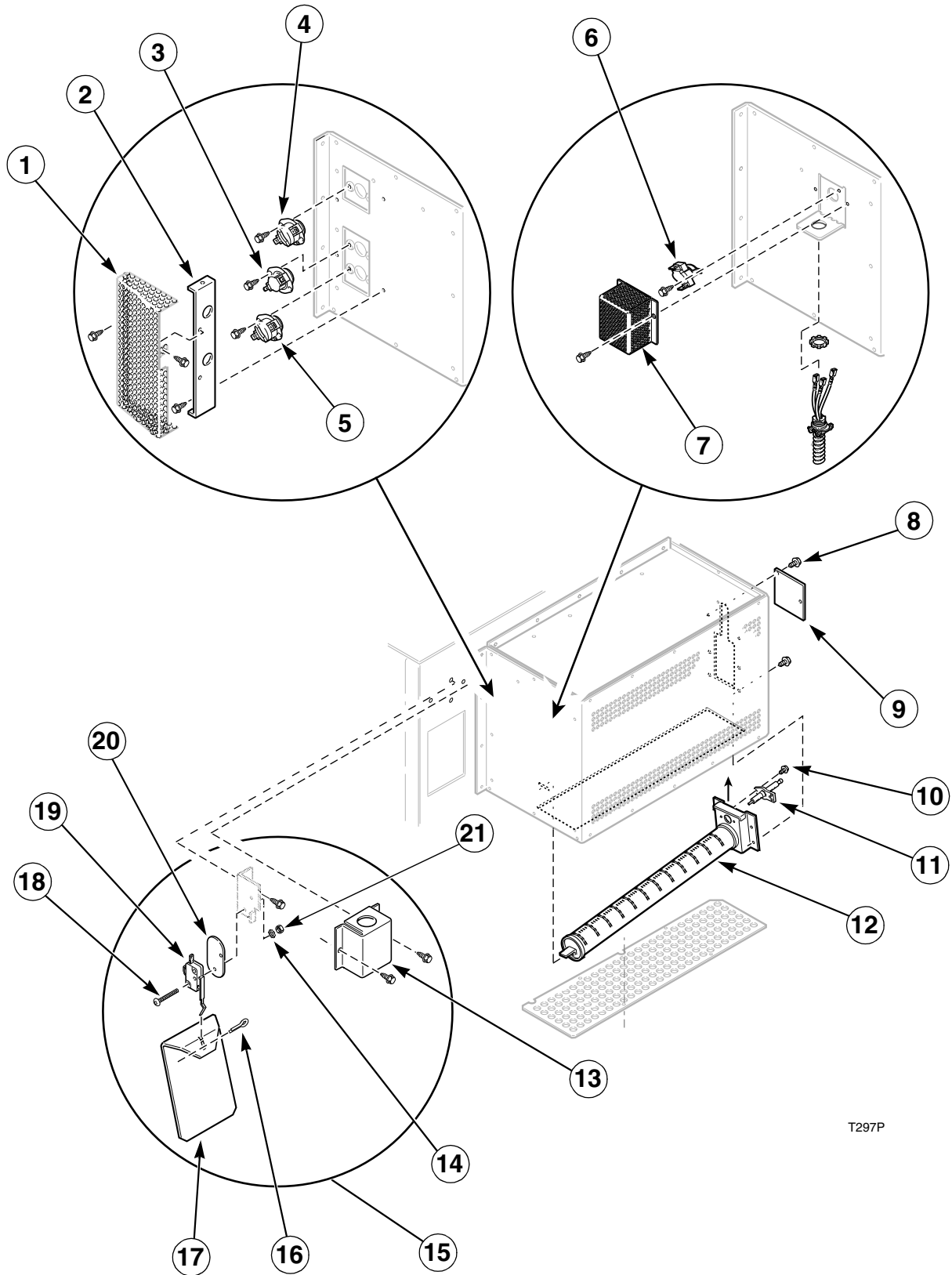
T289P

# Motor and Belt Guard

REF	PART NO.	DESCRIPTION	COMMENTS
1	430054	Belt	
2	430067	Motor Pulley	60 Hertz
	430668	Motor Pulley	50 Hertz
3	430497	Screw	
4	431159	Belt Guard Switch	Starting with Serial No. DTCK9308000527
5	430525	Belt Guard Cover	
6	430542	Belt Guard Switch	Prior to Serial No. DTCK9308000527
7	02834	Lockwasher	
8	01355	Bolt	
9	M400080	Washer	
10	431275	Motor	60 Hertz
	430426	Motor	50 Hertz



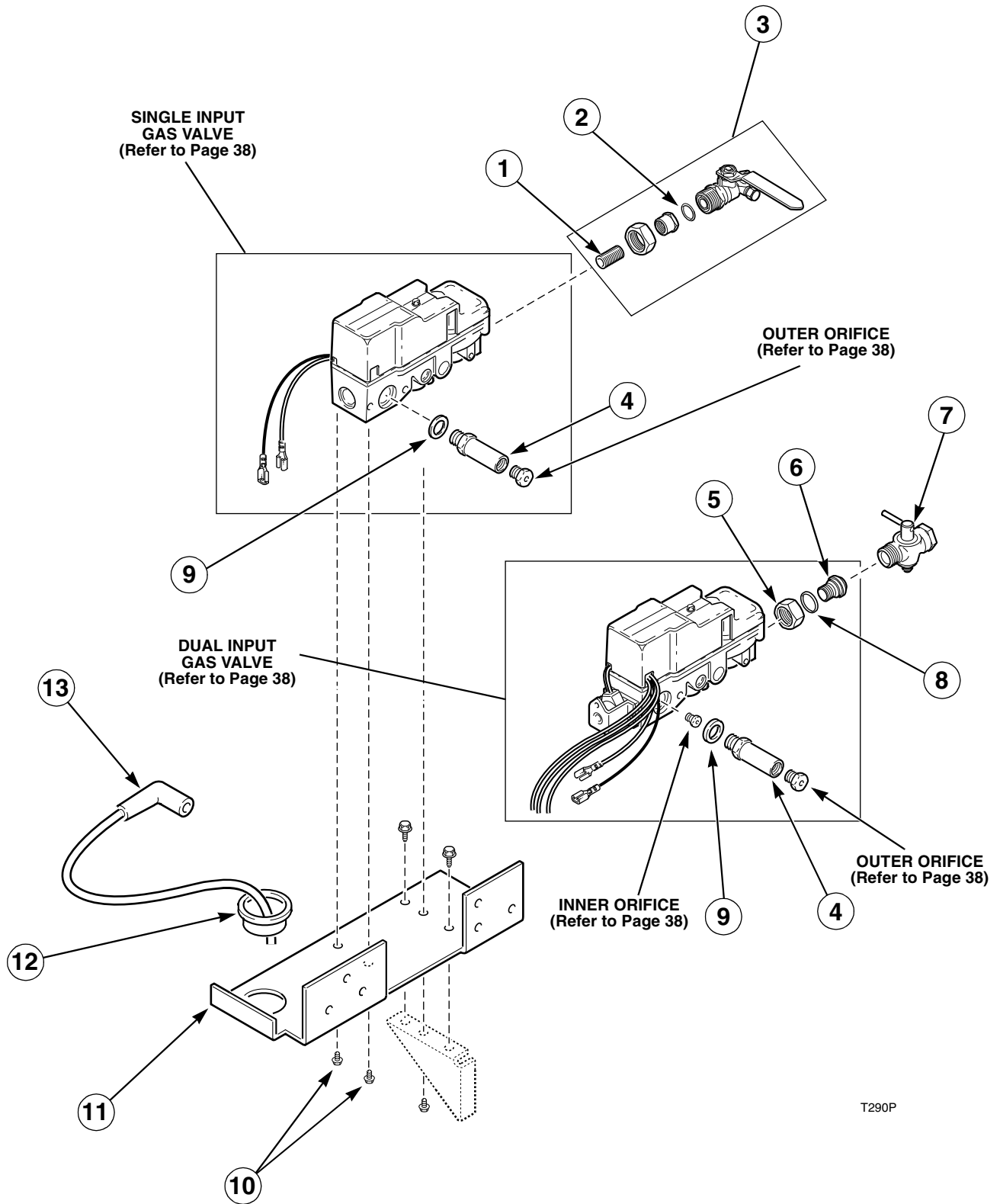
# Thermostat and Burner



T297P



# Gas Valve

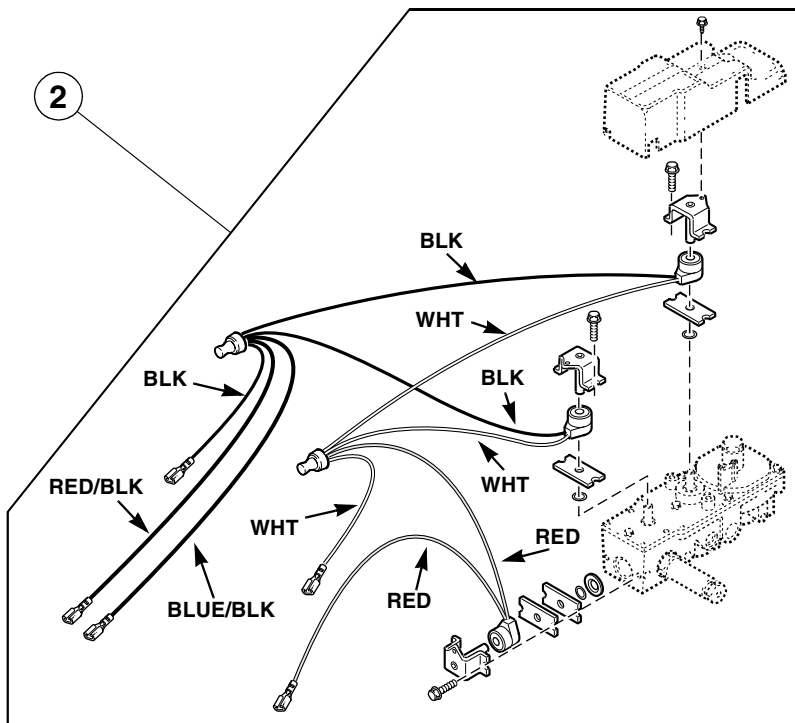
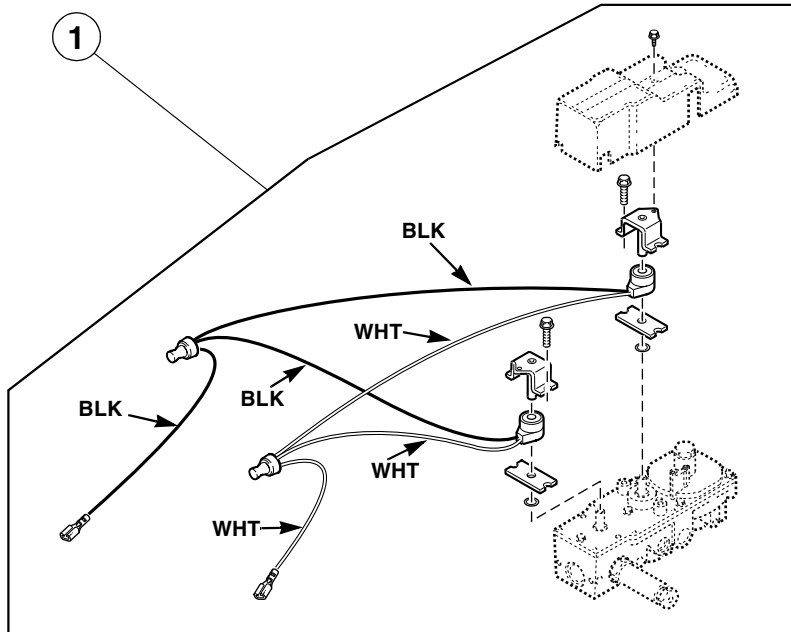


T290P

# Gas Valve

REF	PART NO.	DESCRIPTION	COMMENTS
1	431206	Nipple	
2	431182A	O-Ring	
3	431182P	Gas Shut-Off Valve and Union	Starting with Serial No. DTCK930702934
4	430481	Gas Valve Spud	
5	M401549	Union Nut	Prior to Serial No. DTCK930702934
6	M406439	Union Nipple	Prior to Serial No. DTCK930702934
7	431182P	Gas Shut-Off Valve	
8	M400605	Anti-Torque Ring	Prior to Serial No. DTCK930702934
9	430586	Gas Valve Gasket	
10	23962	Screw	
11	430293	Gas Valve Bracket	
12	M402542	Bushing	
13	430257	High Voltage Lead	

# Gas Valve Coils



T291P

# Gas Valve Coils

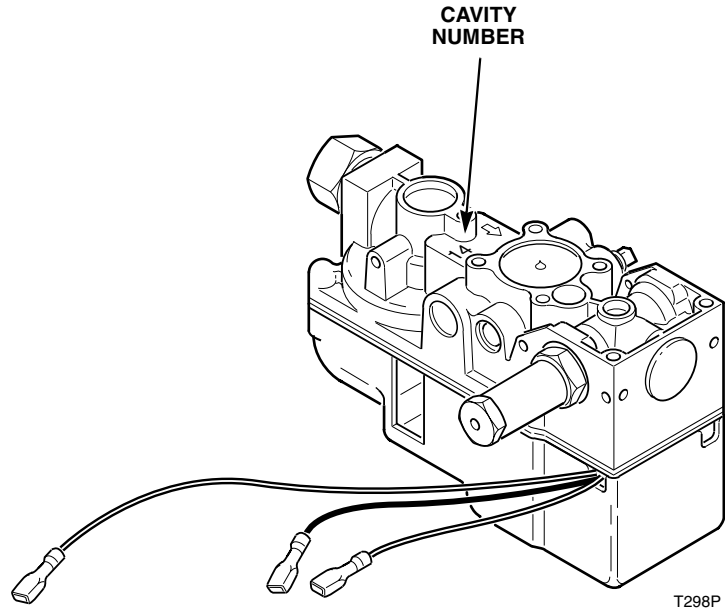
REF	PART NO.	DESCRIPTION	COMMENTS
1	M409253	Single Input Gas Valve Coils	Starting with Serial No. DTCK9211033714
2	430690	Dual Input Gas Valve Coils	60 Hertz, Prior to Serial No. DTCK9211033714
	430691	Dual Input Gas Valve Coils	50 Hertz, Prior to Serial No. DTCK9211033714

# Orifice Sizing for Stacked Tumbler Gas Valves

FIRING RATE VALVE TYPE		75,000 BTU DUAL INPUT VALVES						63,000 BTU DUAL INPUT VALVES						63,000 BTU SINGLE INPUT VALVES		
Natural Gas Valves		60 Hertz/Natural Gas Valve Part No. 430650 50 Hertz/Natural Gas Valve Part No. 430657						60 Hertz/Natural Gas Valve Part No. 430894 50 Hertz/Natural Gas Valve Part No. 430896						60 Hertz/Nat. Gas Valve Part No. 431072 50 Hertz/Nat. Gas Valve Part No. 431074		
L.P. (Liquefied Petroleum) Valves		60 Hertz/L.P. Gas Valve Part No. 430656 50 Hertz/L.P. Gas Valve Part No. 430658						60 Hertz/Natural Gas Valve Part No. 430895 50 Hertz/Natural Gas Valve Part No. 430897						60 Hertz/L.P. Gas Valve Part No. 431073 50 Hertz/Nat. Gas Valve Part No. 431075		
		Prior to Serial No. DTCK0714594ZA						Serial No. DTCK0714594ZA through DTCK9211033713						Starting with Serial No. DTCK9211033714		
Gas Type	Altitude	Outer Orif.	Dec. Size	Part No.	Inner Orif.	Dec. Size	Part No.	Outer Orif.	Dec. Size	Part No.	Inner Orif.	Dec. Size	Part No.	Outer Orif.	Dec. Size	Part No.
Nat. Gas	0 – 2000	#13	(.1850)	430773	1/8"	(.1250)	430654	†			#30	(.1285)	430898	#24	(.1520)	431191
	2001 – 4000	#16	(.1770)	430960	#31	(.1200)	430760	#21	(.1590)	430935	1/8"	(.1250)	430654	#26	(.1470)	431192
	4001 – 6000	#17	(.1730)	430961	#32	(.1160)	430763	#22	(.1570)	430936	#31	(.1200)	430760	#27	(.1440)	430938
	6001 – 8000	#18	(.1695)	430933	#33	(.1130)	430963	#25	(.1495)	430937	#32	(.1160)	430763	#28	(.1405)	431207
	8001 – 10000	#20	(.1610)	430962	#34	(.1110)	430765	#27	(.1440)	430938	#34	(.1110)	430765	#29	(.1360)	431193
L.N.G.	L.N.G. 0 – 2000	-						#22	(.1570)	430936	#31	(.1200)	430760	#27	(.1440)	430938
Town Gas	Town Gas (L.P.) 0 – 2000	-						#V	(.3770)	431174	-	-	-	#V	(.3770)	431174
L.P.	0 – 2000	#37	(.1040)	430736	#47	(.0785)	430655	3/32"	(.0938)	431010	#45	(.0820)	430893	3/32"	(.0938)	431010
	2001 – 4000	#39	(.0995)	430768	#48	(.0760)	430761	#43	(.0890)	430892	#47	(.0785)	430655	#43	(.0890)	430892
	4001 – 6000	#41	(.0960)	430770	#49	(.0730)	430762	#43	(.0890)	430892	#48	(.0760)	430761	#43	(.0890)	430892
	6001 – 8000	#42	(.0935)	430772	#50	(.0700)	430764	#44	(.0860)	430939	#48	(.0760)	430761	#44	(.0860)	430939
	8001 – 10000	#43	(.0890)	430774	#51	(.0670)	430766	#46	(.0810)	430941	#49	(.0730)	430762	#46	(.0810)	430941
Town Gas	Town Gas 0 – 2000	-						#A	(.2340)	431130	-	-	-	-	-	-
Gas Conversion Kits		Dual Input Valves						Dual Input Valves						Single Input Valves		
Nat. Gas to L.P.		474P3						514P3						563P3		
L.P. to Nat. Gas		475P3						513P3						550P3		

† Check Gas Valve Cavity Number for proper outer orifice part number. (Refer to illustration on next page.)

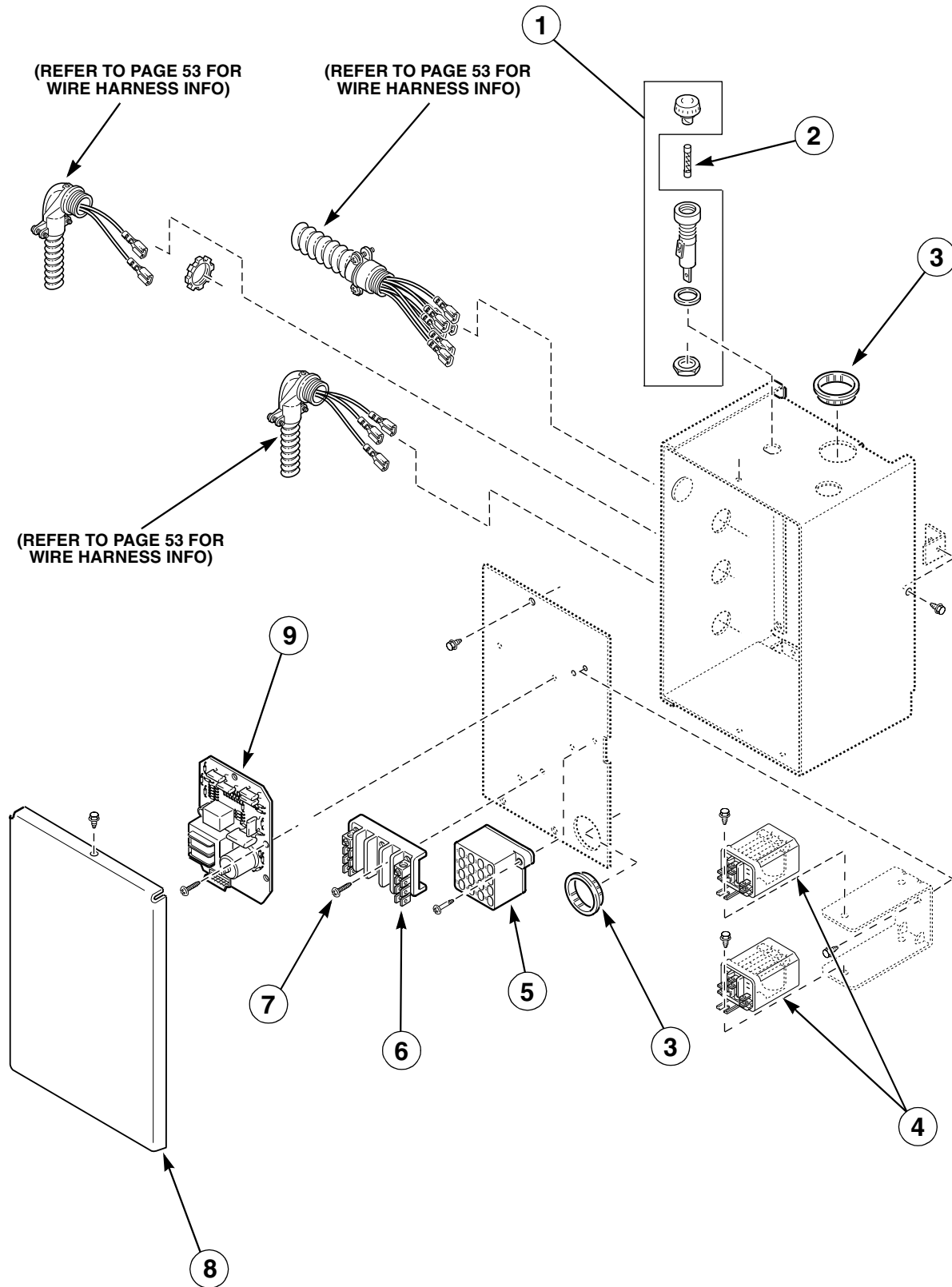
CAVITY NO.	ORIFICE PART NO.	ORIFICE SIZE
#12	430993	#18 Drill (.1695)
#13	430891	#19 Drill (.1660)
#14	430891	#19 Drill (.1660)





# 120/208-240 Volt, 60 Hertz Junction Box

(Prior to Serial No. DTCK9211033714)



T299P

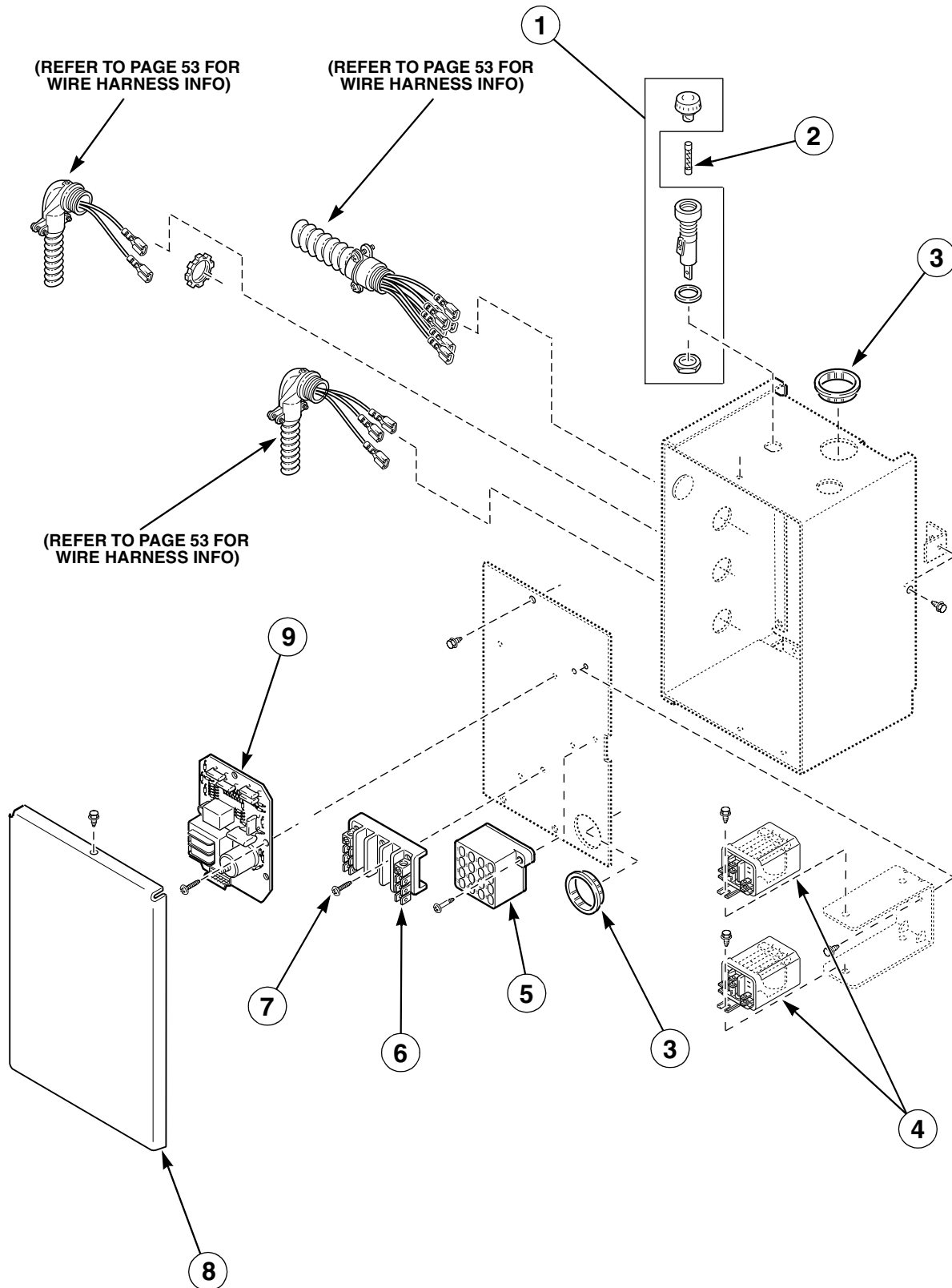
# 120/208-240 Volt, 60 Hertz Junction Box

(Prior to Serial No. DTCK9211033714)

REF	PART NO.	DESCRIPTION	COMMENTS
1	91024	Fuse Holder	Located in Upper Junction Box only
2	M409997	Fuse	Located in Upper Junction Box only
3	M402542	Bushing	
4	430528	Relay	
5	430639	Jumper Block	
6	430641	Terminal Block	120 Volt
	430642	Terminal Block	208-240 Volt
7	H88213574	Screw	
8	430554	Cover	
9	M406789	IEI Control	

# 240 Volt, 50 Hertz Junction Box

(Prior to Serial No. DTCK9211033714)



T299P

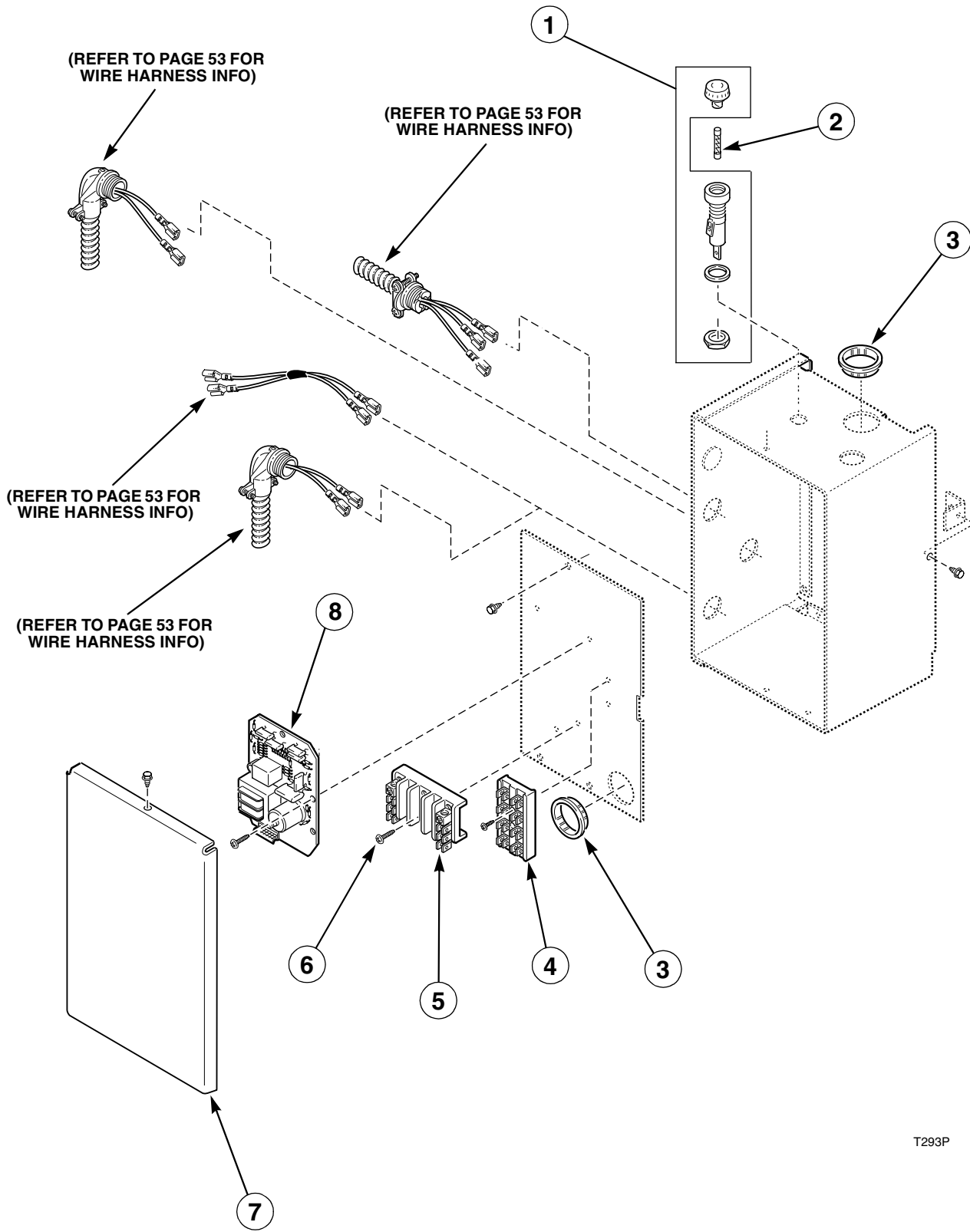
# 240 Volt, 50 Hertz Junction Box

(Prior to Serial No. DTCK9211033714)

REF	PART NO.	DESCRIPTION	COMMENTS
	430739	Capacitor	Located in Upper Junction Box only
	430743	Capacitor Boot	Located in Upper Junction Box only
	430740	Capacitor Bracket	Located in Upper Junction Box only
	430789	Terminal Block	
	430738	Transformer	Located in Upper Junction Box only
	430746	Relay	
1	91024	Fuse Holder	Located in Upper Junction Box only
2	M409997	Fuse	Located in Upper Junction Box only
3	M402542	Bushing	
4	430528	Relay	
5	430639	Jumper Block	
6	430641	Terminal Block	
7	H88213574	Screw	
8	430554	Cover	
9	M406789	IEI Control	

# 120/208-240 Volt, 60 Hertz Junction Box

(Starting with Serial No. DTCK9211033714)



T293P

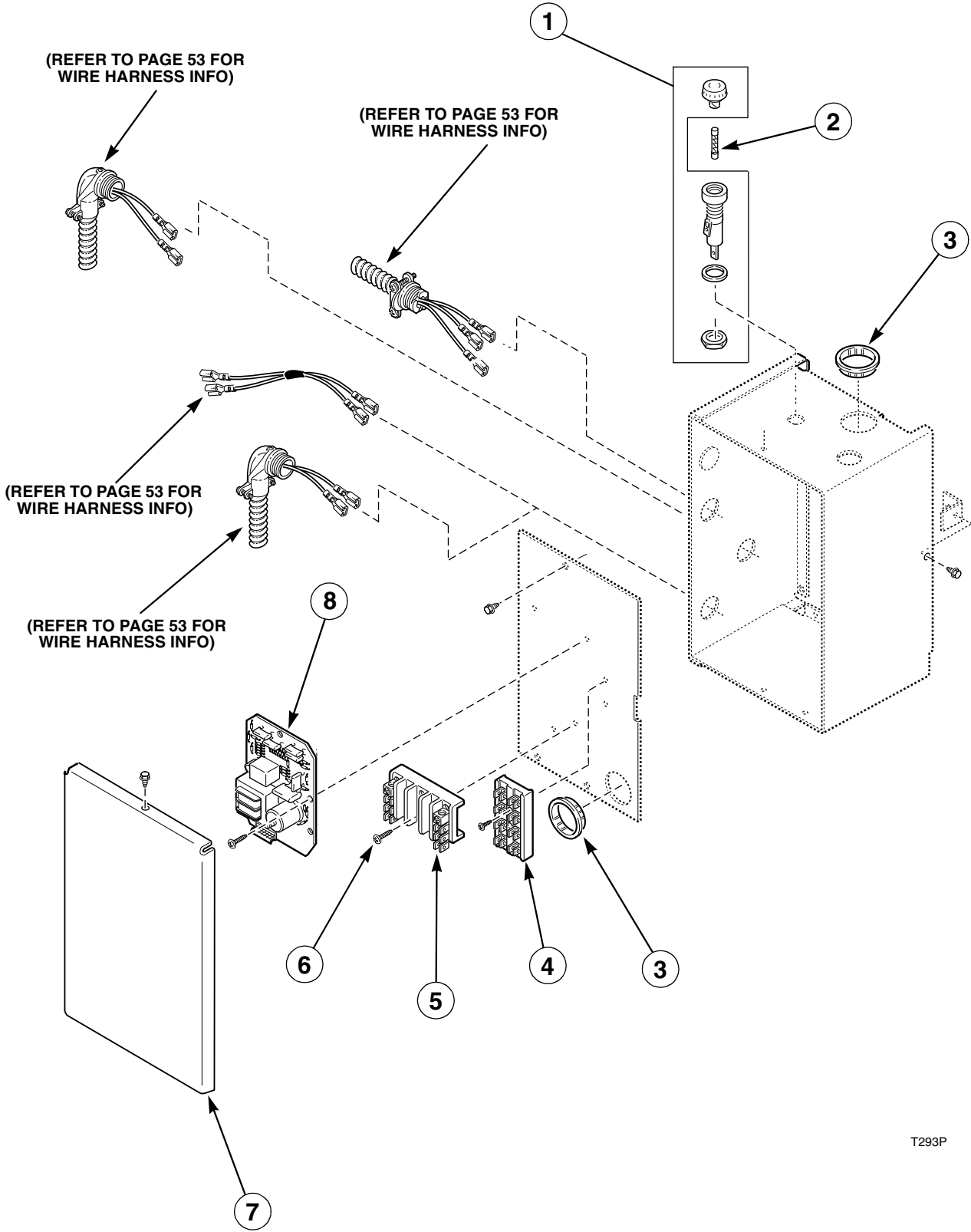
# 120/208-240 Volt, 60 Hertz Junction Box

(Starting with Serial No. DTCK9211033714)

REF	PART NO.	DESCRIPTION	COMMENTS
1	91024	Fuse Holder	Located in Upper Junction Box only
2	M409997	Fuse	Located in Upper Junction Box only
3	M402542	Bushing	
4	431331	Jumper Block	
5	430641	Terminal Block	120 Volt
	430642	Terminal Block	208-240 Volt
6	H88213574	Screw	
7	430554	Cover	
8	M406789	IEI Control	

# 240 Volt, 50 Hertz Junction Box

(Starting with Serial No. DTCK9211033714)



T293P

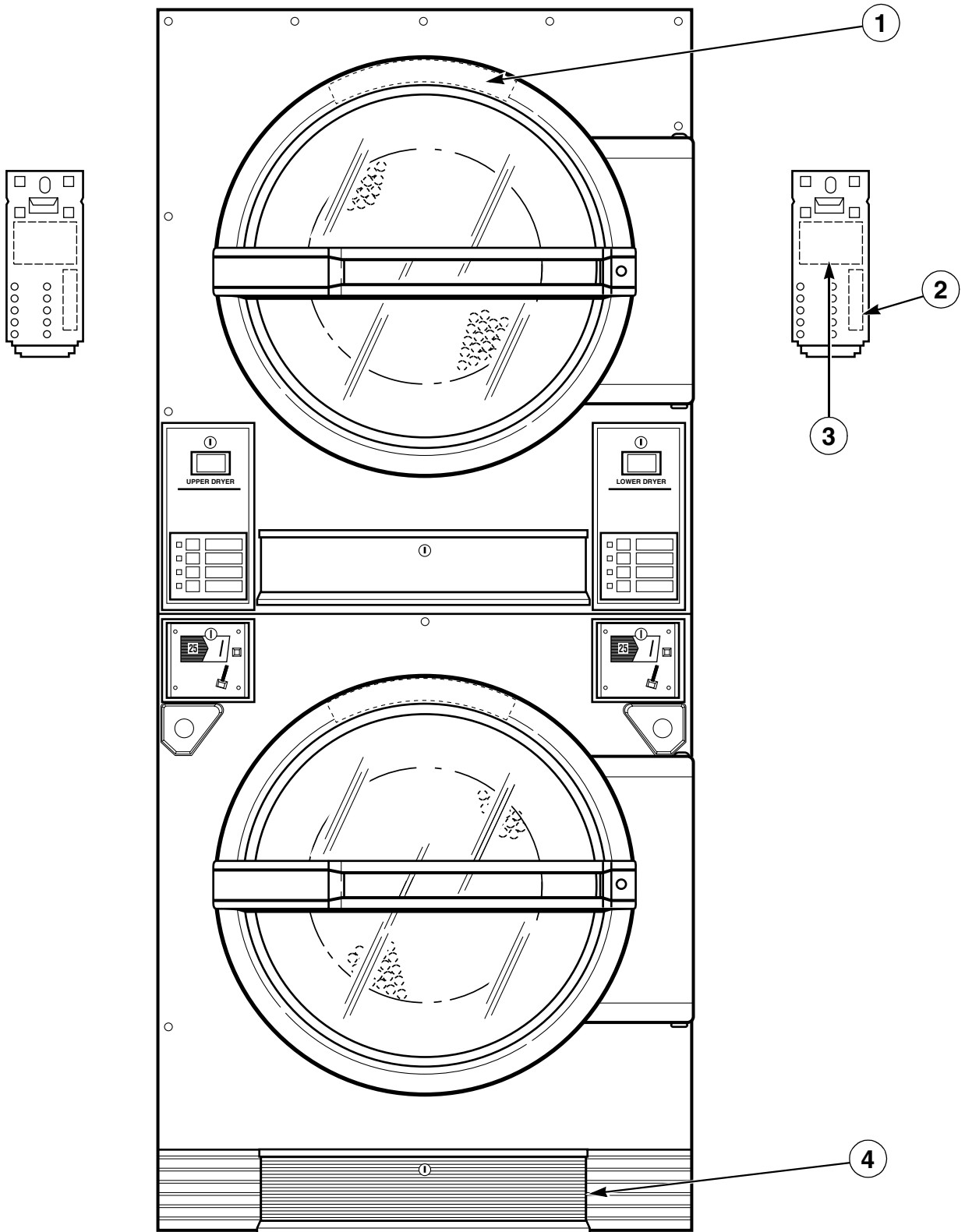
# 240 Volt, 50 Hertz Junction Box

(Starting with Serial No. DTCK9211033714)

REF	PART NO.	DESCRIPTION	COMMENTS
	430739	Capacitor	Located in Upper Junction Box only
	430743	Capacitor Boot	Located in Upper Junction Box only
	430740	Capacitor Bracket	Located in Upper Junction Box only
	430789	Terminal Block	
	430738	Transformer	Located in Upper Junction Box only
	430746	Relay	
1	91024	Fuse Holder	Located in Upper Junction Box only
2	430836	Fuse	Located in Upper Junction Box only
3	M402542	Bushing	
4	431331	Jumper Block	
5	430641	Terminal Block	
6	H88213574	Screw	
7	430554	Cover	
8	M406789	IEI Control	



# Stickers and Labels – Front

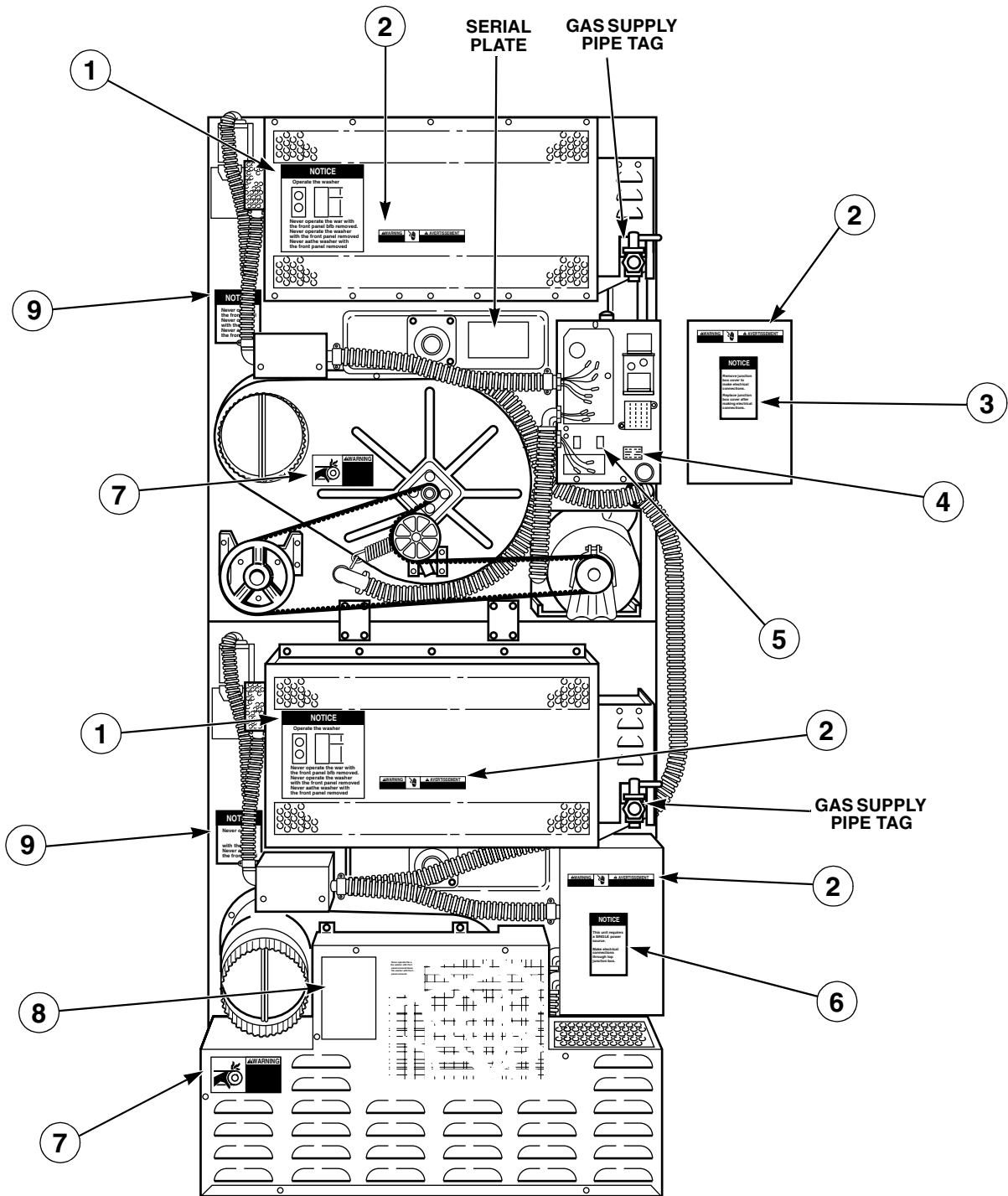


T294P

## Stickers and Labels – Front

REF	PART NO.	DESCRIPTION	COMMENTS
1	M410892	Drying Warning	Located on front panel behind door
2	430596	Microprocessor Display Temperature Label	Located on back of micro door
3	430291	Microprocessor Programming Label	Located on back of micro door
4	500316	Warning	Located under lint drawer

# Stickers and Labels – Rear



T295P

## Stickers and Labels – Rear

REF	PART NO.	DESCRIPTION	COMMENTS
1	430138R1	Installation Notice	
2	500316	Warning Sticker	
3	430444	Junction Box Notice	
4	M403047	Electrical Ground Marker	
5	M405159	Wire Marker	
6	430445	Single Power Source Notice	
7	430377	Belt Guard Warning	
8	M411815	Venting Warning Label	
9	430446	Thimble Notice	

## Coin Drop Assemblies

<b>PART NO.</b>	<b>DESCRIPTION</b>	<b>COMMENTS</b>
431029	Dime and Quarter (U.S.)	Dual Drop
431032	20 Pence and 50 Pence (England)	Dual Drop
431034	20c and 50c (Australian)	Dual Drop
431037	Five Belgian Franc and 20 Belgian Franc	Dual Drop
431038	Quarter and Dollar [Loon] (Canadian)	Dual Drop
430467	Quarter (U.S.)	Single Drop
430605	Token STD – 118 – 1 (.800DiaX.065)	Single Drop
430606	Quarter (Canadian)	Single Drop
430607	100 Yen (Japan)	Single Drop
430609	Two French Franc	Single Drop
430866	\$5.00 Piece (Hong Kong)	Single Drop
430874	Token STD – 118 – 5 (.990DiaX.064)	Single Drop
431126	500 Won (Korea)	Single Drop

# Wire Harnesses

(For all Model D32DG-MC Manufactured before January 1, 1994)

PART NO.	DESCRIPTION	SERIAL NO. RANGE
431063	Air Flow Switch Harness	DTCK9211033714 through DTCK9401011756
431061	Cabinet High Limit Harness	DTCK9211033714 through DTCK9401011756
430343	Dual Coin Drop Harness	All through DTCK9401011756
430257	High Voltage Lead	All through DTCK9401011756
430223	IEI Board Harness	All through DTCK9401011756
430727	Main Lower Harness – 120 Volt, 50-60 Hertz	All through DTCK0728884ZH
431082	Main Lower Harness – 120 Volt, 50-60 Hertz	DTCK9211033714 through DTCK9302024774
431053	Main Lower Harness – 208-240 Volt, 60 Hertz	All through DTCK9211033713
431088	Main Lower Harness – 208-240 Volt, 60 Hertz	DTCK9211033714 through DTCK9302040179
431306	Main Lower Harness – 208-240 Volt, 60 Hertz	DTCK9308000527 through DTCK9401011756
430787	Main Lower Harness – 240 Volt, 50 Hertz	All through DTCK0728884ZH
431055	Main Lower Harness – 240 Volt, 50 Hertz	DTCK0728885ZH through DTCK9211033713
431067	Main Lower Harness – 240 Volt, 50 Hertz	DTCK9211033714 through DTCK9302014184
431308	Main Lower Harness – 240 Volt, 50 Hertz	
430726	Main Upper Harness – 120 Volt, 50-60 Hertz	All through DTCK0728884ZH
430966	Main Upper Harness – 120 Volt, 50-60 Hertz	DTCK0728885ZH through DTCK9211033713
431081	Main Upper Harness – 120 Volt, 50-60 Hertz	DTCK9211033714 through DTCK9302024774
431251	Main Upper Harness – 120 Volt, 50-60 Hertz	DTCK9302024775 through DTCK9308000526
430566	Main Upper Harness – 208-240 Volt, 60 Hertz	All through DTCK0728884ZH
431052	Main Upper Harness – 208-240 Volt, 60 Hertz	DTCK0728885ZH through DTCK9211033713
431090	Main Upper Harness – 208-240 Volt, 60 Hertz	DTCK9211033714 through DTCK9302040179
431305	Main Upper Harness – 208-240 Volt, 60 Hertz	
430786	Main Upper Harness – 240 Volt, 50 Hertz	All through DTCK0728884ZH
431054	Main Upper Harness – 240 Volt, 50 Hertz	DTCK0728885ZH through DTCK9211033713
431066	Main Upper Harness – 240 Volt, 50 Hertz	DTCK9211033714 through DTCK9302014184
431307	Main Upper Harness – 240 Volt, 50 Hertz	
430221	Motor Harness – 120 Volt, 50-60 Hertz	All through DTCK9401011756
430222	Motor Harness – 208-240 Volt, 60 Hertz	All through DTCK9401011756
430788	Motor Harness – 240 Volt, 50 Hertz	All through DTCK9211033713
431257	Motor Harness – 240 Volt, 50 Hertz	DTCK9211033714 through DTCK9401011756
430843	Safety Switch Harness	All through DTCK9211033713
430613	Single Coin Drop Harness	All through DTCK9401011756
431062	Stove High Limit Harness	DTCK9211033714 through DTCK9401011756

# Parts Index

## A

Actuator	
431275 .....	21
Air Flow Switch	
430371 .....	33
Air Flow Switch Assembly	
430369 .....	33
Air Flow Switch Cover	
430367 .....	33
Air Flow Switch Vane	
430372 .....	33
Anti-Torque Ring	
M400605 .....	35

## B

Bearing Housing and Shaft Assembly	
430958 .....	29
Belt	
430054 .....	25, 27, 31
430104 .....	25, 27
Belt Guard Cover	
430525 .....	31
Belt Guard Switch	
430542 .....	31
431159 .....	31
Belt Guard Warning	
430377 .....	51
Blower Housing	
430061 .....	29
Bolt	
01355 .....	31
Bracket	
430126 .....	21
430193 .....	25, 27, 29
430447 .....	17
430581 .....	17
Bumper	
431198 .....	23
Burner	
430506 .....	33
Burner Plate Cover	
430375 .....	33
Bushing	
M402542 .....	17, 35, 41, 43, 47

## C

Cap Screw	
430648 .....	25, 27
Capacitor	
430739 .....	43, 47
Capacitor Boot	
430743 .....	43, 47
Capacitor Bracket	
430740 .....	43, 47

Carriage Bolt	
430837 .....	9
Catch	
M401223 .....	13, 15, 19
Clip	
M400972 .....	13, 15
430535 .....	5, 7
Coin Chute	
430228 .....	13
Coin Chute Bracket	
430451 .....	13
430452 .....	13
Coin Drop Assembly	
430467 .....	52
430605 .....	52
430606 .....	52
430607 .....	52
430609 .....	52
430866 .....	52
430874 .....	52
431029 .....	52
431032 .....	52
431034 .....	52
431037 .....	52
431038 .....	52
431126 .....	52
Coin Drop Shadow Box	
430995 .....	13
Coin Switch	
M412095 .....	5, 7
81312G .....	7
Coin Vault	
430972 .....	15
430982 .....	15
Coin Vault Bracket	
430382 .....	13
Coin Vault Shadow Box	
430548 .....	13, 15
Cotter Pin	
02470 .....	33
Cover	
M400845 .....	33
430339 .....	29
430550 .....	33
430554 .....	41, 43, 47
Cover Plate	
81312L .....	5, 7
Cylinder and Trunnion Assembly	
430580 .....	23
Cylinder Rib	
430099 .....	23
Cylinder Support Bearing Assembly	
430260 .....	23

## D

Door Assembly	
430476 .....	19
Door Gasket	
M406129 .....	19

Door Glass	
M400784 .....	19
Door Glass Seal	
M400962 .....	19
Door Handle	
430459 .....	19
Door Hinge	
M400514 .....	19
M402714 .....	19
Door Switch	
M406103 .....	17, 19
Door Switch Bracket	
431118 .....	17
Door Switch Tab	
430432 .....	19
Drive Shaft Assembly	
430867 .....	27
Drying Warning	
M410892 .....	49
Dual Input Gas Valve Coils	
430690 .....	37
430691 .....	37

---

## E

Electrical Ground Marker	
M403047 .....	51
Extension	
431001 .....	21

---

## F

Fan	
M410088P .....	29
Felt Pad	
M402144 .....	23
Felt Washer	
29443 .....	29
Forge Nut	
430576 .....	23
Front Panel – Lower	
431143 .....	15
431170 .....	13
431222 .....	15
431324 .....	13
Front Panel – Upper	
431142 .....	15
431169 .....	13
431221 .....	15
431323 .....	13
Front Reinforcement Plate	
430856 .....	27
Front Seal and Strap Kit	
430844P .....	23
Fuse	
M409997 .....	41, 43
430836 .....	47
Fuse Holder	
91024 .....	41, 43, 47

---

## G

Gas Shut-Off Valve	
431182P .....	35
Gas Shut-Off Valve and Union	
431182P .....	35
Gas Valve Bracket	
430293 .....	35
Gas Valve Gasket	
430586 .....	35
Gas Valve Spud	
430481 .....	35
Gasket	
430274 .....	11
Graphics Panel	
430906 .....	11
430908 .....	11

---

## H

Hex Head Screw	
27196 .....	17
430497 .....	33
Hex Nut	
H88410030 .....	33
20275 .....	9
High Limit Thermostat	
430387 .....	33
431177 .....	33
High Voltage Lead	
430257 .....	35
Hinge Bracket	
431000 .....	13, 15, 19
431044 .....	13, 15, 19
Hinge Pin	
M400653 .....	19

---

## I

Idler Arm	
430263 .....	25, 27, 29
Idler Wheel	
430619 .....	25, 27, 29
IEI Control	
M406789 .....	41, 43, 47
Igniter	
430317 .....	33
Installation Notice	
430138R1 .....	51
Instruction Plate	
M406303 .....	9
Insulation	
H96418728 .....	33
430043 .....	17



---

**J**

Jam Nut	
M400022 .....	29
02428 .....	23
Jumper Block	
430639 .....	41, 43
431331 .....	47
Junction Box Notice	
430444 .....	51

---

**K**

Key	
M400993 .....	27
M401327 .....	27
430664 .....	5, 7, 11, 21

---

**L**

Label	
430527 .....	21
Lens	
430561 .....	11
Leveling Leg	
M400063 .....	17
Limit Thermostat	
M406412 .....	29
Lint Drawer	
430490 .....	21
431248 .....	21
Lint Drawer Switch	
431159 .....	21
Lint Drawer Switch and Plate	
430473 .....	21
Lint Screen	
430482 .....	21
431215 .....	21
Lock	
430671 .....	5, 7
430832 .....	11
Lock and Key	
430429 .....	21
Lockwasher	
H88512561 .....	33
02377 .....	9
02834 .....	31
Lower Front Plate	
430386 .....	21
431003 .....	21

---

**M**

Manual Start Assembly	
430799 .....	9
Microprocessor	
430640P .....	11, 13, 15
Microprocessor Display Temperature Label	
430596 .....	49

---

Microprocessor Door Assembly	
430905 .....	11
430907 .....	11
Microprocessor Programming Label	
430291 .....	49
Microprocessor Shadow Box	
431326 .....	13, 15
Motor	
430426 .....	31
431275 .....	31
Motor Pulley	
430067 .....	31
430668 .....	31

---

**N**

Nipple	
431206 .....	35
Nut	
M400022 .....	23, 27
M401930 .....	23
02428 .....	29
23951 .....	15, 19
430875 .....	29
52566 .....	25, 27
56156 .....	25, 27
80116 .....	27
Nylon Washer	
M400675 .....	19

---

**O**

O-Ring	
431182A .....	35
Outer Front Plate	
430974 .....	9

---

**P**

Pal Nut	
M400034 .....	23, 27, 29
Plug	
430460 .....	13
430649 .....	19
Program Instructions	
430291 .....	11
Pulley with Set Screw	
430800P .....	25, 27
Push Button	
81312J .....	5, 7

---

**R**

Rear Cylinder Seal with Adhesive	
430105P .....	23
Rear Reinforcement Plate	
430857 .....	27
Rejector	
M412094 .....	5, 7
81312D .....	7

---

Relay	
430528 .....	41, 43
430746 .....	43, 47
Reset Thermostat	
430539 .....	33
Retainer	
431314 .....	23
Retaining Bolt	
431114 .....	9
Retaining Ring	
70061 .....	23
Rib Rod	
430155 .....	23
Rivet	
M400003 .....	13, 15, 19, 23
M410762 .....	13, 15, 19
430489 .....	13, 21
Roller	
430019 .....	23
Roller Shaft	
431315 .....	23
Round Head Screw	
M401938 .....	33

## S

Screw	
H88213574 .....	41, 43, 47
M400044 .....	19
M400661 .....	19
M409385 .....	19
01355 .....	25, 27
02422 .....	25, 27
23962 .....	29, 35
27196 .....	29
28193 .....	17
33561 .....	23
430449 .....	13
430497 .....	19, 31
430648 .....	29
430756 .....	19
430757 .....	21
431027 .....	15
51780 .....	21
56693 .....	33
Seal	
430638 .....	13, 15, 21
Seal Strap	
430355 .....	23
430845 .....	23
Service Soon Light	
430562 .....	11
Sheave	
430050P .....	25, 27
430849 .....	29
Shim	
M401402 .....	23
Shoulder Screw	
431381 .....	25, 27

Side and Back Cover	
430338 .....	29
Side Cover	
430549 .....	33
Side Panel and Insulation	
431048 .....	17
431049 .....	17
Single Input Gas Valve Coils	
M409253 .....	37
Single Power Source Notice	
430445 .....	51
Spacer	
430850 .....	29
Speed Nut	
430886 .....	23
431045 .....	17
Spring	
430252 .....	29
430301 .....	25, 27
430954 .....	23
52310 .....	23
81312K .....	5, 7
Square Nut	
M401930 .....	9
Step Down Thermostat	
430729 .....	33
Sticker	
430596 .....	11
Stud Plate	
430352 .....	23
Sweep Sheet Kit	
430884P .....	23
Switch	
430540 .....	21
Switch Plate	
81637 .....	9

## T

Tab	
430251 .....	29
Temperature Sensor	
M409114 .....	29
Terminal Block	
430641 .....	41, 43, 47
430642 .....	41
430789 .....	43, 47
Thimble and Vane Assembly	
430536 .....	29
Thimble Notice	
430446 .....	51
Torx Head Screw	
431167 .....	17
431287 .....	33
Transformer	
430738 .....	43, 47
Trunnion Assembly	
430219 .....	23

---

## U

U-Bolt Clamp	
430862 .....	27
Union Nipple	
M406439 .....	35
Union Nut	
M401549 .....	35
Upper Front Plate	
430385 .....	21

---

## V

Vane	
430534 .....	29
Venting Warning Label	
M411815 .....	51

---

## W

Warning	
500316 .....	49
Warning Sticker	
500316 .....	51
Washer	
M400080 .....	31
M400991 .....	23
M410947 .....	23
02834 .....	23, 25, 27, 29
430427 .....	23
430782 .....	25, 27, 29
91093 .....	25, 27
Wire Harness	
430343 .....	7
430613 .....	5
Wire Harness Kit	
430330P .....	11
Wire Marker	
M405159 .....	51