

Drying Tumblers

25 Pound Capacity

30 Pound Capacity

35 Pound Capacity

Stacked 30 Pound Capacity

Stacked 45 Pound Capacity

55 Pound Capacity

Starting Serial No. 0602004144


Refer to page 3 for Model Identification



Keep These Instructions for Future Reference.

(If this machine changes ownership, this manual must accompany machine.)

Installation must conform with local codes.

	WARNING
<p>FOR YOUR SAFETY, the information in this manual must be followed to minimize the risk of fire or explosion or to prevent property damage, personal injury or death.</p> <p style="text-align: right;">W033</p> <ul style="list-style-type: none"> • Do not store or use gasoline or other flammable vapors and liquids in the vicinity of this or any other appliance. • WHAT TO DO IF YOU SMELL GAS: <ul style="list-style-type: none"> – Do not try to light any appliance. – Do not touch any electrical switch; do not use any phone in your building. – Clear the room, building or area of all occupants. – Immediately call your gas supplier from a neighbor’s phone. Follow the gas supplier’s instructions. – If you cannot reach your gas supplier, call the fire department. • Installation and service must be performed by a qualified installer, service agency or the gas supplier. <p style="text-align: right;">W052</p>	
FOR YOUR SAFETY	
<p>Do not store or use gasoline or other flammable vapors and liquids in the vicinity of this or any other appliance.</p> <p style="text-align: right;">W053</p>	

IMPORTANT: Information must be obtained from a local gas supplier on instructions to be followed if the user smells gas. These instructions must be posted in a prominent location. Step-by-step instructions of the above safety information must be posted in a prominent location near the tumbler for customer use.


	WARNING
<p>To reduce the risk of fire, electric shock, serious injury or death to persons when using the tumbler unit, follow these basic precautions:</p> <ul style="list-style-type: none"> • Read all instructions before using tumbler. • DO NOT tamper with controls. • DO NOT bypass any safety devices. • Always follow the fabric care instructions supplied by the garment manufacturer. • Remove laundry immediately after the tumbler stops. • DO NOT reach into tumbler if cylinder is revolving. <p>To avoid creating any flammable vapors which may explode, ignite or cause corrosive damage, DO NOT dry the following materials:</p> <ul style="list-style-type: none"> • Articles that have been cleaned in, soaked in, washed in or spotted with gasoline, dry-cleaning solvents or other flammable/explosive substances. • Plastics or articles containing foam rubber or similarly textured rubberlike materials. • Articles that have traces of flammable substances like cooking oil, machine oil, flammable chemicals or thinner. • Articles containing wax or cleaning chemicals. • Fiberglass curtains or draperies (unless the label says it can be done). <p style="text-align: right;">W440R1</p>	

Table of Contents

Introduction	3
Model Identification	3
Serial Plate Location.....	4
Wiring Diagram	4
Safety Information	5
Important Safety Instructions	5
Installation	7
Specifications and Dimensions.....	7
Cabinet Dimensions — 25, 30, 35 and 55 Pound Models.....	8
Cabinet Dimensions – T30 and T45 Model.....	9
Exhaust Outlet Locations.....	10
Gas Connection Locations.....	11
Electrical Connection Locations.....	12
Steam Connection Locations	13
Position and Level the Tumbler.....	14
Gas Requirements.....	15
Natural Gas and Liquefied Petroleum.....	15
European Gas	15
General Information	15
Exhaust Requirements	19
Make-Up Air	19
Venting.....	19
Electrical Requirements.....	20
Grounding Instructions	20
Steam Requirements	21
Operation	23
Emergency Stop Button.....	23
Operating Instructions	23
Step 1: Clean Lint Screen/Compartment	23
Step 2: Load Laundry.....	23
Step 3: Determine Control Type and Temperature Setting	23
Step 4: Remove Laundry	23
Control Instructions	24
Dual Digital Timer Control.....	24
Electronic OPL Micro Control.....	25
Single Drop Control	26
MDC Coin and Card Control.....	27
Ignition Control Operation	28
Disposal of Unit	29

© Published by permission of the copyright owner.

All rights reserved. No part of the contents of this book may be reproduced or transmitted in any form or by any means without the expressed written consent of the publisher.

Introduction

Model Identification

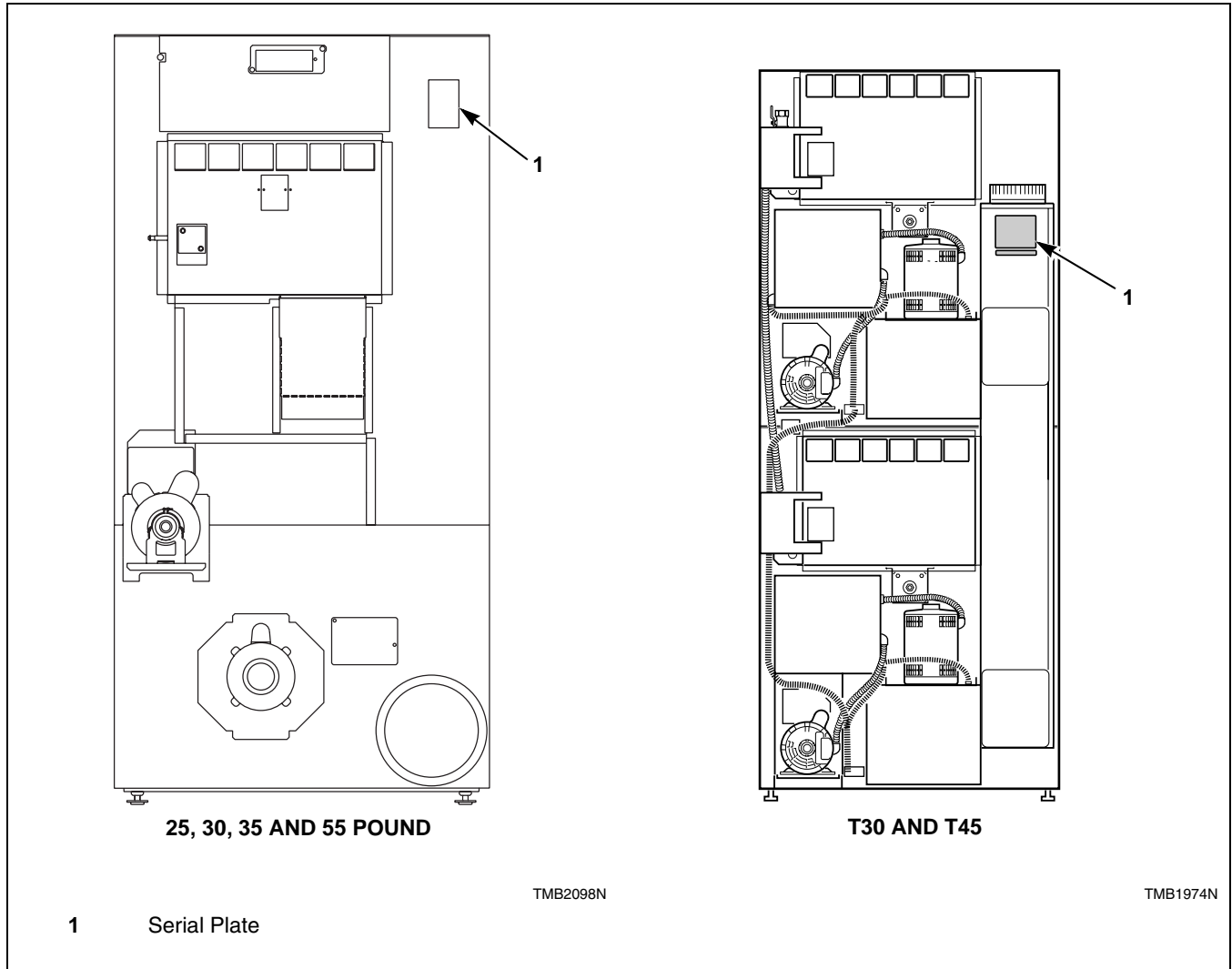
Information in this manual is applicable to these models.

	Gas		Steam	Electric
25 Pound	GU025L GU025N HU025L HU025N KU025L KU025N LU025L	LU025N PU025L PU025N SU025L SU025N UU025L UU025N	GU025S HU025S KU025S LU025S PU025S SU025S UU025S	GU025E HU025E KU025E LU025E PU025E SU025E UU025E
30 Pound	GU030L GU030N HU030L HU030N LU030L LU030N	PU030L PU030N SU030L SU030N UU030L UU030N	GU030S HU030S LU030S PU030S SU030S UU030S	GU030E HU030E LU030E PU030E SU030E UU030E
T30	GUT30L GUT30N HUT30L HUT30N KUT30L KUT30N LUT30L	LUT30N PUT30L PUT30N SUT30L SUT30N UUT30L UUT30N	GUT30S HUT30S KUT30S LUT30S PUT30S SUT30S UUT30S	GUT30E HUT30E KUT30E LUT30E PUT30E SUT30E UUT30E
35 Pound	GU035L GU035N HU035L HU035N KU035L KU035N LU035L	LU035N PU035L PU035N SU035L SU035N UU035L UU035N	GU035S HU035S KU035S LU035S PU035S SU035S UU035S YU035S	GU035E HU035E KU035E LU035E PU035E SU035E UU035E YU035E
T45	HUT45L HUT45N	SUT45L SUT45N	Not Applicable	Not Applicable
55 Pound	HU055L HU055N SU055L	SU055N UU055L UU055N	Not Applicable	HU055E SU055E UU055E

Includes models with the following control suffixes:

BC – basic electronic, coin	BX – basic electronic, prep for coin	QT – dual digital timer
BG – basic electronic, OPL mode	BY – basic electronic, prep for card	SD – single drop
BL – basic electronic, central pay	OM – OPL micro	SX – single drop, prep for coin

Serial Plate Location




Wiring Diagram

The wiring diagram is located inside the junction or contactor box.

Safety Information

Save These Instructions

Important Safety Instructions

	WARNING
<p>Hazardous Voltage. Can cause shock, burn or cause death. Allow machine power to remain off for two minutes prior to working in and around AC inverter drive.</p>	
W359	

1. Read all instructions before using the tumbler.
2. Refer to the ***GROUNDING INSTRUCTIONS*** for the proper grounding of the tumbler.
3. Do not dry articles that have been previously cleaned in, washed in, soaked in, or spotted with gasoline, dry-cleaning solvents, or other flammable or explosive substances, as they give off vapors that could ignite or explode.
4. Do not allow children on or in the tumbler. This appliance is not intended for use by young children or infirm persons without supervision. Young children should be supervised to ensure that they do not play with the appliance.
5. Before the tumbler is removed from service or discarded, remove the door to the drying compartment and the door to the lint compartment.
6. Do not reach into the tumbler if the cylinder is revolving.
7. Do not install or store the tumbler where it will be exposed to water and/or weather.
8. Do not tamper with the controls.
9. Do not repair or replace any part of the tumbler, or attempt any servicing unless specifically recommended in the user-maintenance instructions or in published user-repair instructions that you understand and have the skills to carry out.
10. Do not use fabric softeners or products to eliminate static unless recommended by the manufacturer of the fabric softener or product.
11. To reduce the risk of fire, **DO NOT DRY** plastics or articles containing foam rubber or similarly textured rubberlike materials.
12. Always clean the lint filter daily.
13. Keep area around the exhaust opening and adjacent surrounding area free from the accumulation of lint, dust and dirt.
14. The interior of the tumbler and the exhaust duct should be cleaned periodically by qualified service personnel.
15. If not installed, operated and maintained in accordance with the manufacturer's instructions or if there is damage to or mishandling of this product's components, use of this product could expose you to substances in the fuel or from fuel combustion which can cause death or serious illness and which are known to the State of California to cause cancer, birth defects or other reproductive harm.
16. Tumbler will not operate with the loading door open. **DO NOT** bypass the door safety switch to permit the tumbler to operate with the door open. The tumbler will stop tumbling when the door is opened. Do not use the tumbler if it does not stop tumbling when the door is opened or starts tumbling without pressing or turning the START mechanism. Remove the tumbler from use and call for service.
17. Tumbler will not operate with lint panel open. **DO NOT** bypass lint panel safety switch to permit the tumbler to operate with the lint panel open.
18. Do not put articles soiled with vegetable or cooking oil in the tumbler, as these oils may not be removed during washing. Due to the remaining oil, the fabric may catch on fire by itself.
19. To reduce the risk of fire, **DO NOT** put clothes which have traces of any flammable substances such as machine oil, flammable chemicals, thinner, etc. or anything containing wax or chemicals such as in mops and cleaning cloths, or anything dry-cleaned at home with dry-cleaning solvent in the tumbler.
20. Use the tumbler only for its intended purpose, drying fabrics.
21. **ALWAYS** disconnect and lockout the electrical power to the tumbler before servicing. Disconnect power by shutting off appropriate breaker or fuse.

Installation/Operation Supplement

22. Install this tumbler according to the ***INSTALLATION INSTRUCTIONS***. All connections for electrical power, grounding, and gas supply must comply with local codes and be made by licensed personnel when required.
23. Remove laundry immediately after tumbler stops.
24. Always read and follow manufacturer's instructions on packages of laundry and cleaning aids. Heed all warnings or precautions. To reduce the risk of poisoning or chemical burns, keep them out of reach of children at all times (preferably in a locked cabinet).
25. Do not tumble fiberglass curtains and draperies unless the label says it can be done. If they are dried, wipe out the cylinder with a damp cloth to remove particles of fiberglass.
26. Always follow the fabric care instructions supplied by the garment manufacturer.
27. Never operate the tumbler with any guards and/or panels removed.
28. **DO NOT** operate the tumbler if it is smoking, grinding, has missing or broken parts.
29. **DO NOT** bypass any safety devices.
30. Solvent vapors from dry-cleaning machines create acids when drawn through the heater of the drying unit. These acids are corrosive to the tumbler as well as to the laundry load being dried. Be sure make-up air is free of solvent vapors.
31. Failure to install, maintain, and/or operate this machine according to the manufacturer's instructions may result in conditions which can produce bodily injury and/or property damage.



WARNING

To reduce the risk of serious injury, install lockable door(s) to prevent public access to rear of tumblers.

W055

Installation

Specifications and Dimensions

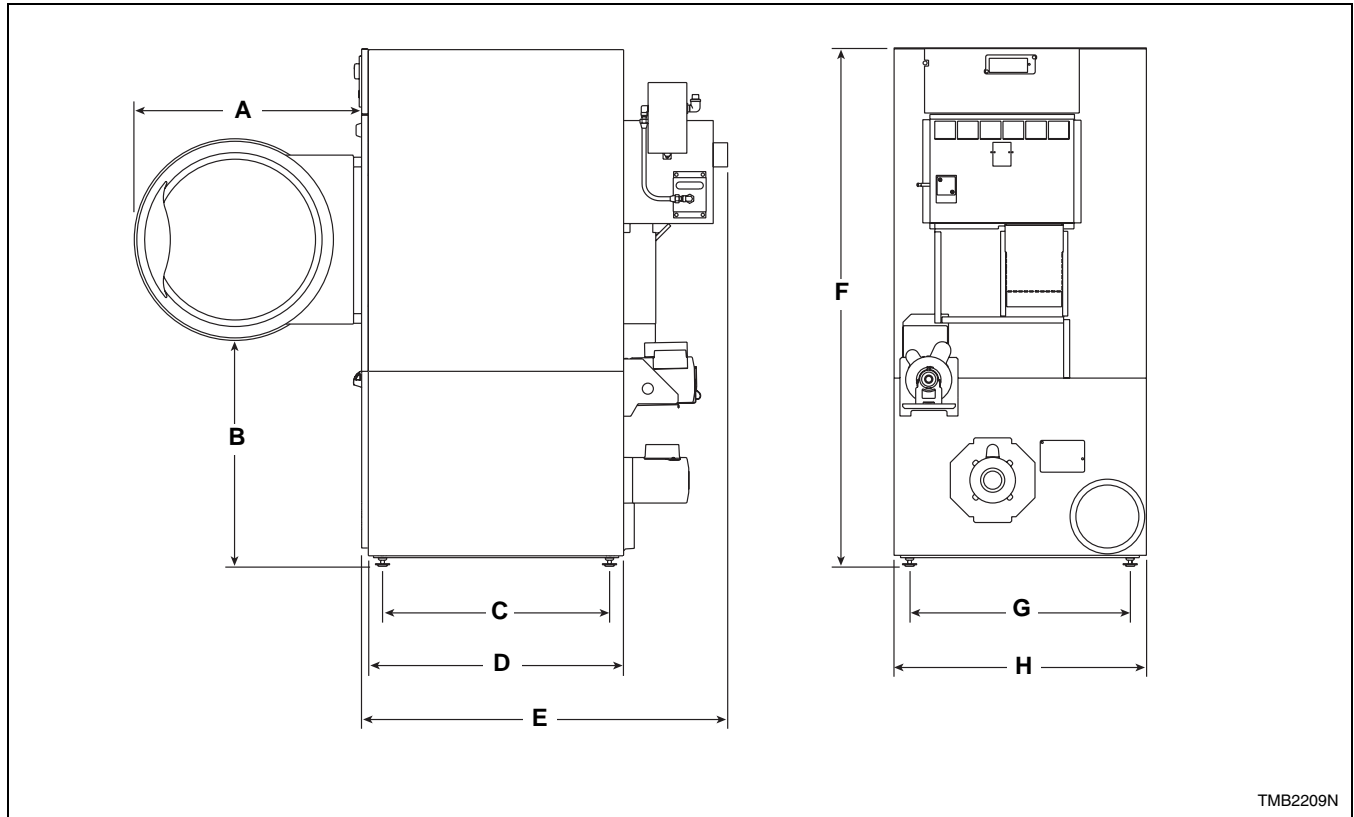
Specifications		25 Pound	30 Pound	T30	35 Pound	T45	55 Pound
Noise level measured during operation at operator position of 1 meter (3.3 feet) in front of machine and 1.6 meters (5.2 feet) from floor		60 dBA	61 dBA	66 dBA	63 dBA	67 dBA	63 dBA
Net Weight (approximate): kg (pounds)		137 (300)	150 (330)	247 (544)	163 (360)	305 (673)	197 (435)
Cylinder Size: mm (inches)		673 x 610 (26.5 x 24)	673 x 762 (26.5 x 30)	762 x 660 (30 x 26)	762 x 762 (30 x 30)	838 x 762 (33 x 30)	838 x 889 (33 x 35)
Cylinder Capacity (dry weight): kg (pounds)		11.3 (25)	13.6 (30)	2 x 13.6 (2 x 30)	15.9 (35)	2 x 20.5 (2 x 45)	24.9 (55)
Drive Motor Horsepower**		1/4	1/4	1/4	1/4	1/2	1/2
Fan Motor Horsepower**		1/4	1/4	1/4	1/4	1/2	1/2
Maximum Airflow per Pocket**: l/sec (C.F.M.)	50 Hertz	203 (430)	203 (430)	160 (340)	260 (550)	N/A	283 (600)
	60 Hertz	236 (500)	236 (500)	189 (400)	307 (650)	283 (600)	330 (700)
Maximum Static Back Pressure*: mbar (inches W.C.)	50 Hertz	1.5 (0.6)	1.5 (0.6)	2.0 (0.8)	1.3 (0.5)	N/A	1.3 (0.5)
	60 Hertz	2.0 (0.8)	2.0 (0.8)	2.3 (0.9)	1.5 (0.6)	2.3 (0.9)	1.5 (0.6)
Gas Models							
Gas Connection		1/2 in. NPT	1/2 in. NPT	1/2 in. NPT	1/2 in. NPT	1/2 in. NPT	1/2 in. NPT
Gas Burner Rating**: kW, Mj/hr (Btu/hr)		18.7, 67.5 (64,000)	21.4, 77 (73,000)	21.4, 77 (73,000)	26.4, 95 (90,000)	27.8, 100.2 (95,000)	32.8, 118.2 (112,000)
Electric Models							
Heating Element Rating**:	400/50/3	10 kW	21 kW	21 kW	24 kW	N/A	27 kW
	Standard	12 kW					
Steam Models							
Steam Connection		3/4 in. NPT	3/4 in. NPT	3/4 in. NPT	3/4 in. NPT	N/A	N/A
Steam Coil Rating at 100 psig**: Boiler Horsepower (Btu/hr)		3.9 (134,700)	3.9 (134,700)	3.2 (111,000)	4.8 (166,000)	N/A	N/A
Steam Coil Rating at 15 psig**: Boiler Horsepower (Btu/hr)		2.6 (89,940)	2.6 (89,940)	2.2 (74,000)	3.7 (129,000)	N/A	N/A

* T30 and 45 models – both pockets running

** T30 and 45 models – each pocket

N/A = Not Applicable

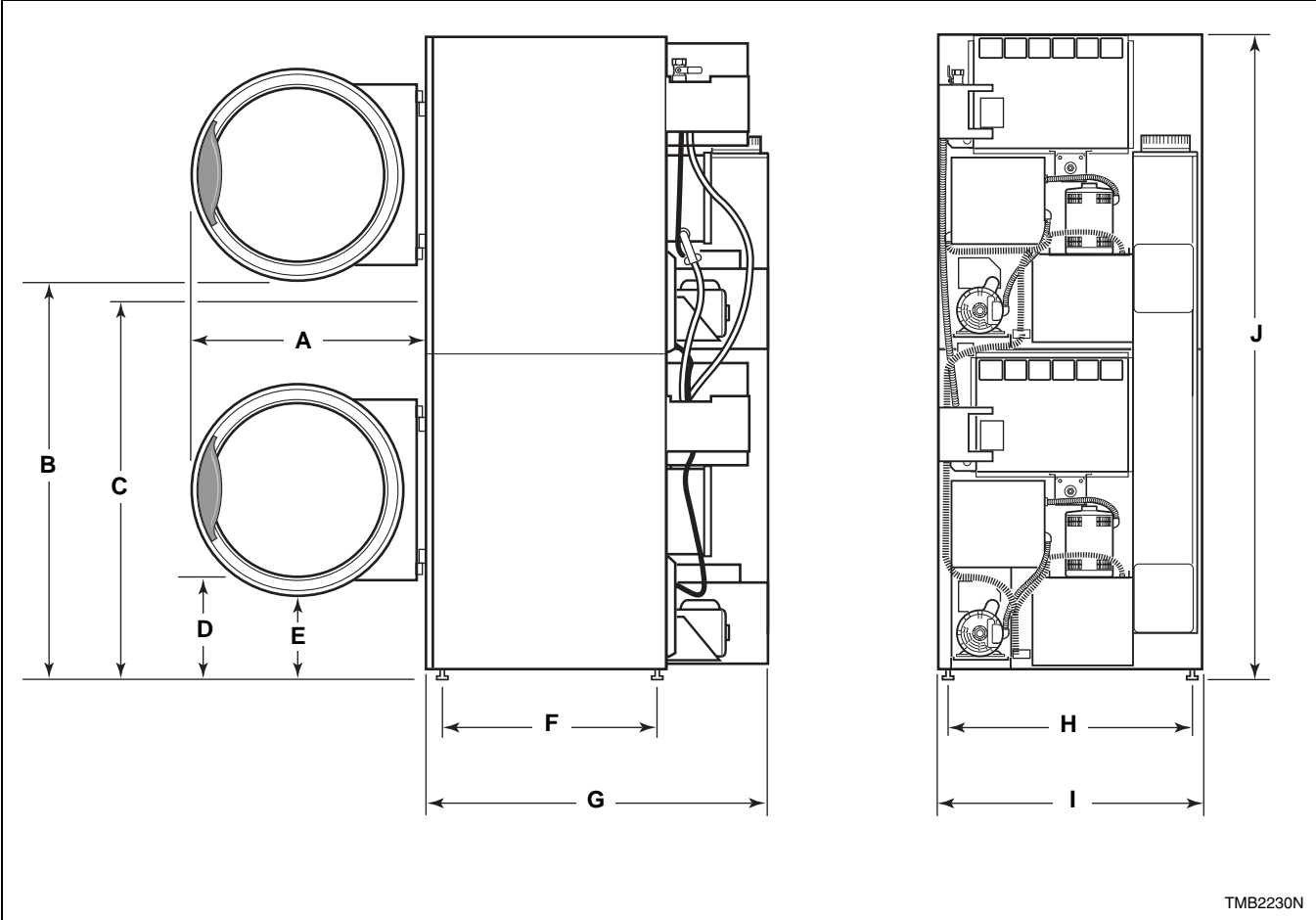
Cabinet Dimensions — 25, 30, 35 and 55 Pound Models



Models	A	B	C	D	E	F	G	H
25 Pound	667 mm (26.25 in.)	699 mm (27.5 in.)	593 mm (23.35 in.)	654 mm (25.75 in.)	1038 mm (40.875 in.)	1622 mm (63.875 in.)	626 mm (24.64 in.)	711 mm (28 in.)
30 Pound	667 mm (26.25 in.)	699 mm (27.5 in.)	720 mm (28.35 in.)	806 mm (31.75 in.)	1191 mm (46.875 in.)	1622 mm (63.875 in.)	626 mm (24.64 in.)	711 mm (28 in.)
35 Pound	711 mm (28 in.)	699 mm (27.5 in.)	720 mm (28.35 in.)	806 mm (31.75 in.)	1191 mm (46.875 in.)	1622 mm (63.875 in.)	695 mm (27.38 in.)	800 mm (31.5 in.)
55 Pound	810 mm (31.88 in.)	682.5 mm (26.87 in.)	857.25 mm (33.75 in.)	971.5 mm (38.25 in.)	1365 mm (53.62 in.)	1694.7 mm (66.75 in.)	774.7 mm (30.5 in.)	876 mm (34.5 in.)

NOTE: Facia panels available to increase height of single pocket models to 1835 mm (72.25 inches) and 1938 mm (76.25 inches).

Cabinet Dimensions – T30 and T45 Models



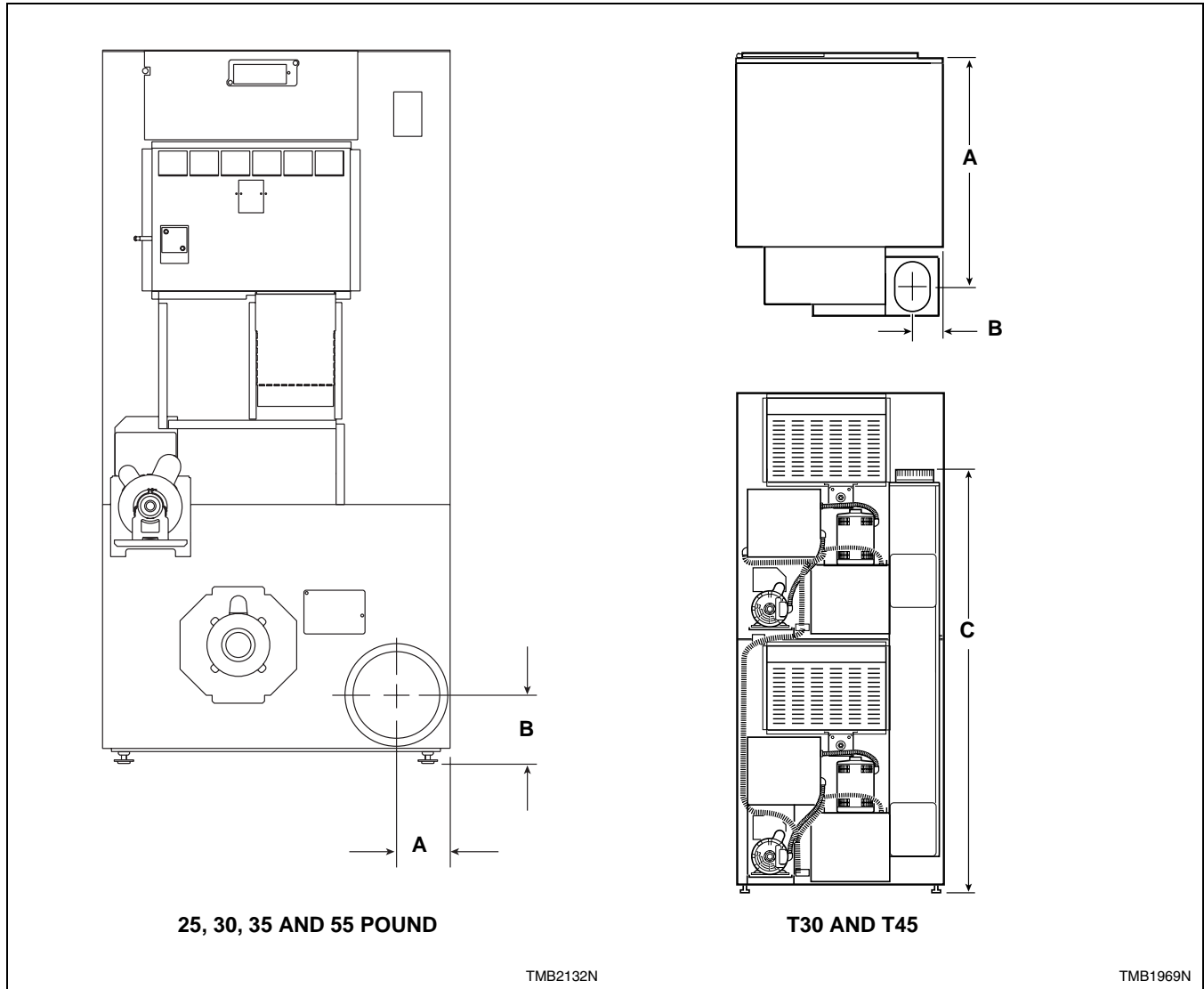
TMB2230N

Models	A	B	C	D	E
T30	711 mm (28 in.)	1219 mm (48 in.)	1118 mm (44 in.)	279 mm (11 in.)	254 mm (10 in.)
T45	810 mm (31.88 in.)	1245 mm (49 in.)	N/A	N/A	229 mm (9 in.)
Models	F	G	H	I	J
T30	636 mm (25.02 in.)	1086 mm (42.76 in.)	695 mm (27.38 in.)	800 mm (31.5 in.)	1937 mm (76.25 in.)
T45	746 mm (29.37 in.)	1235 mm (48.62 in.)	775 mm (30.50 in.)	876 mm (34.5 in.)	2063.75 mm (81.25 in.)

N/A = Not Applicable

NOTE: To meet ADA compliance, install a 102 mm (4 inch) riser on T30 models only.

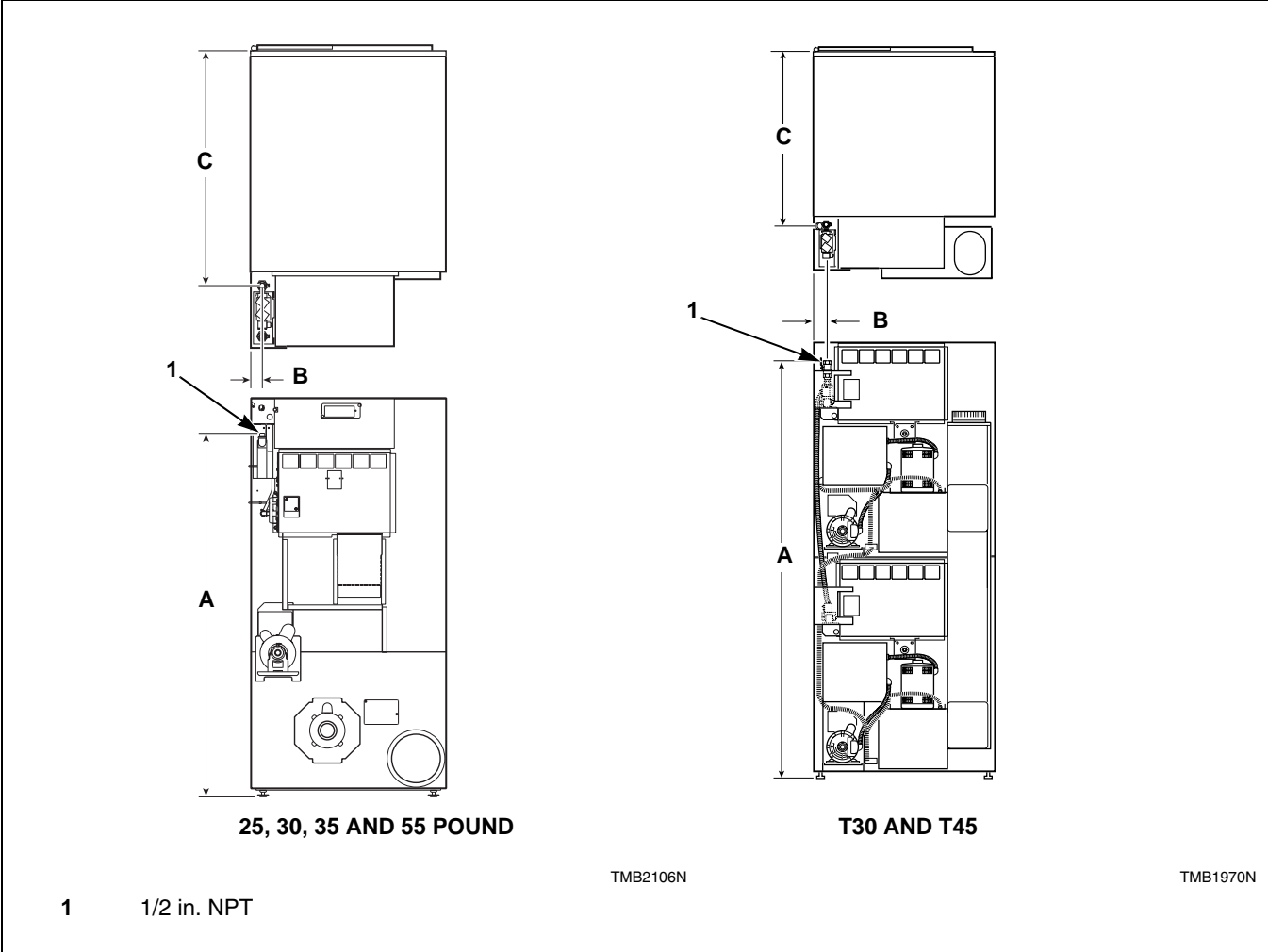
Exhaust Outlet Locations



Models	Rear Exhaust			
	Diameter	A	B	C
25/30 Pound	152 mm (6 in.)	99 mm (3.875 in.)	117 mm (4.625 in.)	N/A
T30	Elliptical Fits 203 mm (8 in.)	928 mm (36.54 in.)	108 mm (4.25 in.)	1585 mm (62.42 in.)
35 Pound	203 mm (8 in.)	124 mm (4.875 in.)	143 mm (5.625 in.)	N/A
T45	Elliptical Fits 254 mm (10 in.)	1038 mm (40.88 in.)	121 mm (4.75 in.)	1676 mm (66 in.)
55 Pound	203 mm (8 in.)	122 mm (4.808 in.)	156.3 mm (6.156 in.)	N/A

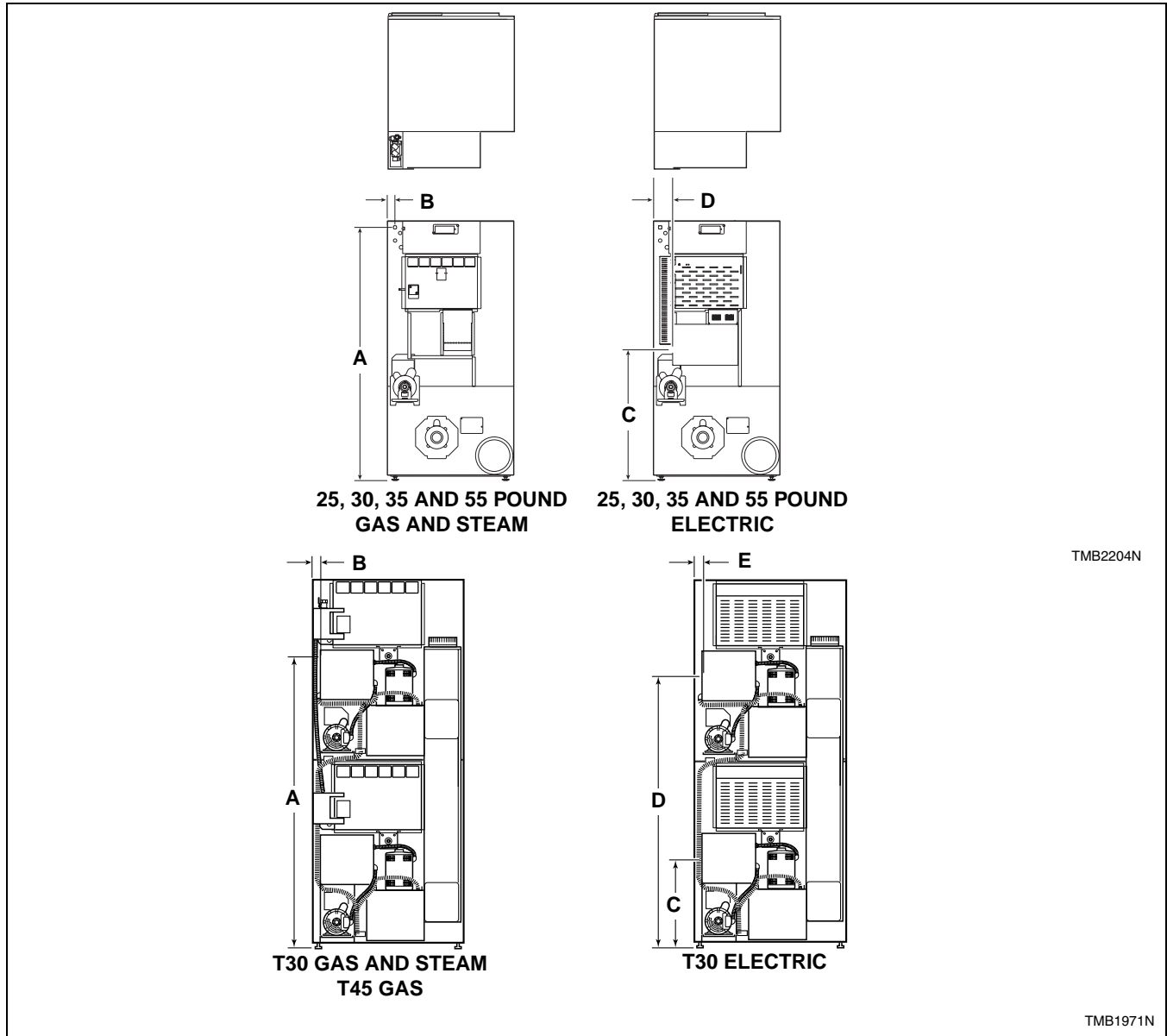
N/A = Not Applicable

Gas Connection Locations



Models	Gas Connection		
	A	B	C
25 Pound	1500 mm (59 in.)	38.1 mm (1.5 in.)	737 mm (29 in.)
30 Pound	1500 mm (59 in.)	38.1 mm (1.5 in.)	889 mm (35 in.)
T30	1912 mm (75.28 in.)	64 mm (2.5 in.)	777 mm (30.60 in.)
35 Pound	1500 mm (59 in.)	64 mm (2.5 in.)	889 mm (35 in.)
T45	2000 mm (78.75 in.)	105 mm (4.12 in.)	1089 mm (42.88 in.)
55 Pound	1500 mm (59 in.)	64 mm (2.5 in.)	889 mm (35 in.)

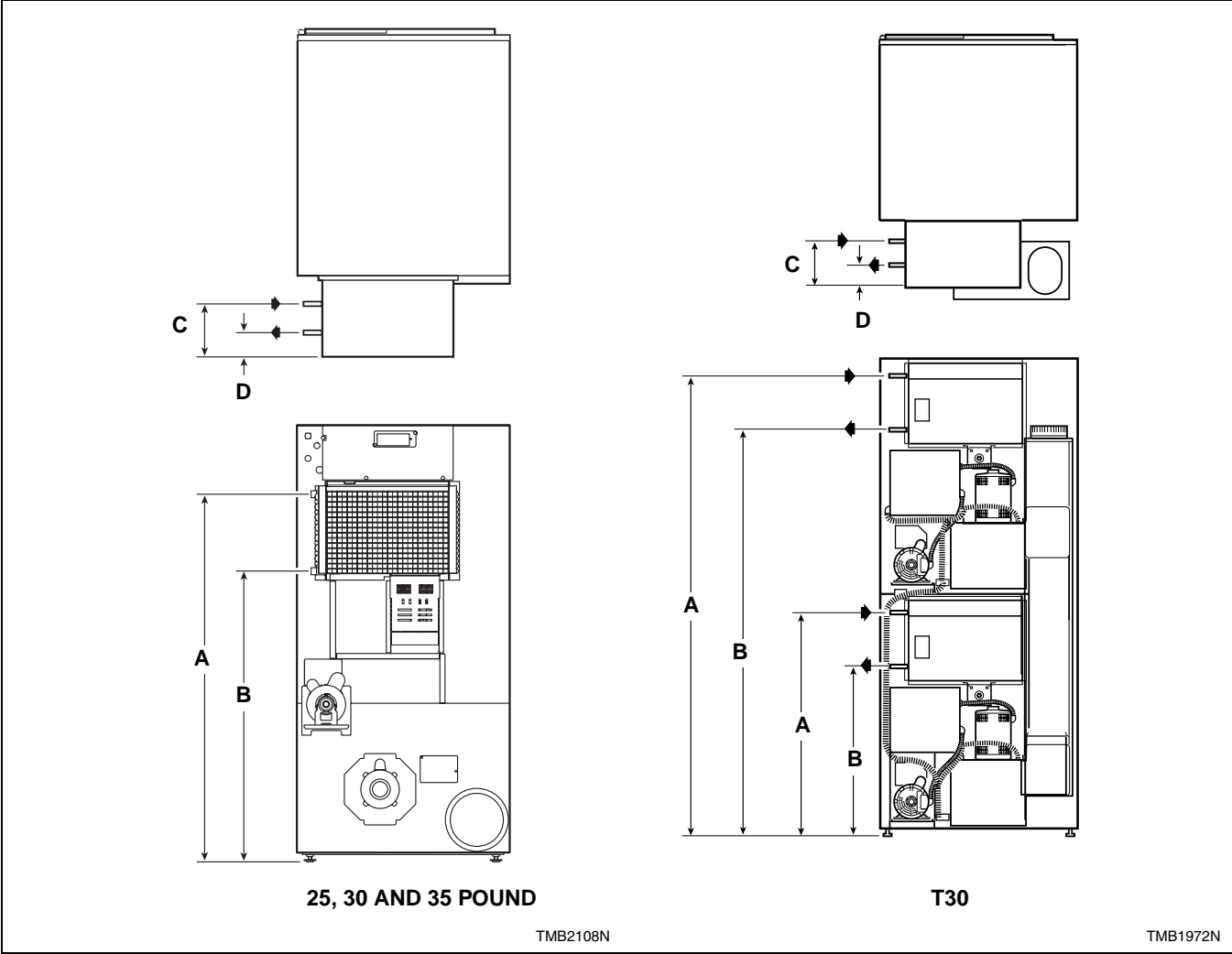
Electrical Connection Locations



Models	Electrical Service				
	Gas and Steam Models		Electric Models		
	A	B	C	D	E
25/30 Pound	1581 mm (62.25 in.)	51 mm (2 in.)	711 mm (28 in.)	83 mm (3.25 in.)	N/A
T30	1498 mm (59 in.)	44 mm (1.75 in.)	905 mm (35.63 in.)	1859 mm (73.21 in.)	58 mm (2.28 in.)
35 Pound	1581 mm (62.25 in.)	76 mm (3 in.)	711 mm (28 in.)	108 mm (4.25 in.)	N/A
T45	1588 mm (62.5 in.)	44 mm (1.75 in.)	N/A	N/A	N/A
55 Pound	1655.75 mm (65.187 in.)	44.83 mm (1.765 in.)	826.16 mm (32.526 in.)	166.3 mm (6.547 in.)	N/A

N/A = Not Applicable

Steam Connection Locations



Models	Inlet		Outlet	
	A	C	B	D
25/30/35 Pound	1365 mm (53.75 in.)	198 mm (7.8 in.)	1080 mm (42.5 in.)	165 mm (6.5 in.)
T30 (Upper)	1877 mm (73.93 in.)	160 mm (6.29 in.)	1592 mm (62.71 in.)	61 mm (2.39 in.)
T30 (Lower)	923 mm (36.35 in.)	160 mm (6.29 in.)	638 mm (25.13 in.)	61 mm (2.39 in.)

NOTE: All connections use 3/4 inch NPT pipe.

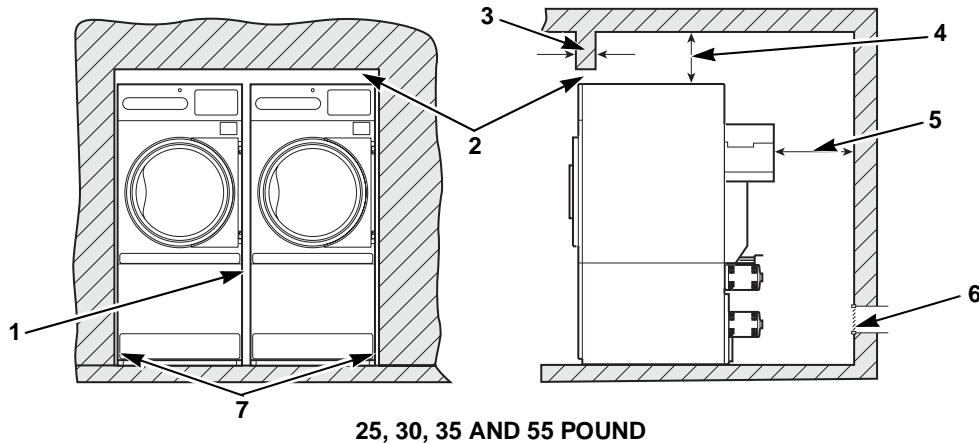
Position and Level the Tumbler



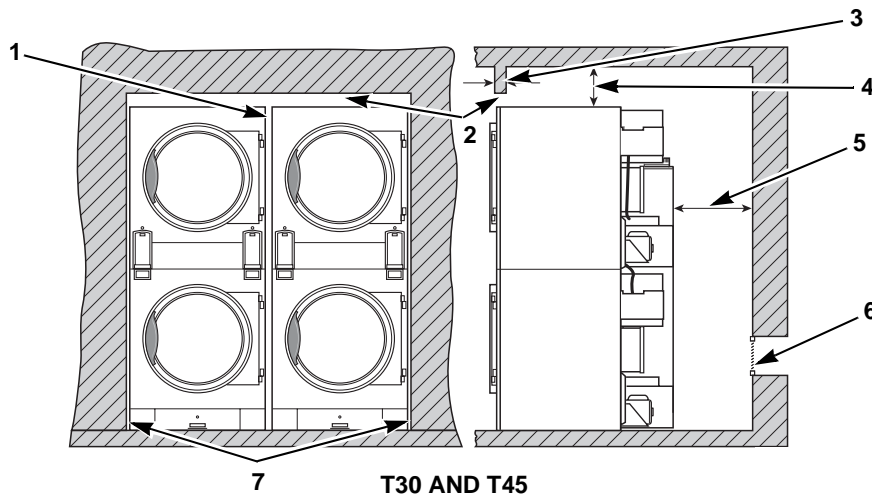
WARNING

To reduce the risk of severe injury, clearance of tumbler cabinet from combustible construction must conform to the minimum clearances.

W056



TMB2021N



TMB2110N


NOTE: Shaded areas indicate adjacent structure.

- 1 13 mm (0.5 in.) recommended between machines for removal or installations.
- 2 Allow 51-102 mm (2-4 in.) opening at top of machine to aid in removal or installation. A removable trim piece may be used to conceal the opening; zero clearance allowed for trim.
- 3 102 mm (4 in.) Maximum Header Thickness
- 4 305 mm (12 in.) Minimum Clearance
- 5 610 mm (24 in.) minimum, 914 mm (36 in.) recommended for maintenance purposes.
- 6 Provision for make-up air: Minimum 709 cm² (110 in.²) required per tumbler for 25 and 30, 928 cm² (144 in.²) for 35 and 55 pound models, 1418 cm² (220 in.²) for T30 models and 1856 cm² (288 in.²) for T45 models. Location for reference only. May be anywhere behind tumbler.
- 7 6 mm (0.25 in.) recommended for removal or installation purposes, zero clearance allowed.

Figure 1

Gas Requirements

Natural Gas and Liquefied Petroleum


	WARNING
<p>To reduce the risk of fire or explosion, DO NOT CONNECT THE GAS LINE TO THE TUMBLER IF THE GAS SERVICE IS NOT THE SAME AS THAT SPECIFIED ON THE TUMBLER SERIAL PLATE! It will first be necessary to convert the gas burner orifice and gas valve. Appropriate conversion kits are available.</p>	
W060	

IMPORTANT: Any product revisions or conversions must be made by the Manufacturer's Authorized Dealers, Distributors, or local service personnel.

IMPORTANT: The tumbler must be isolated from the gas supply piping system by closing its individual manual shut-off valve during any pressure testing of the gas supply piping system at test pressure equal to or less than 3.45 kPa, 34.5 mbar (0.5 psi).


IMPORTANT: The tumbler and its manually operated appliance gas valve must be disconnected from the gas supply piping system during any pressure testing of that system at test pressures in excess of 3.45 kPa, 34.5 mbar (0.5 psi).

IMPORTANT: The installation must comply with local codes.

	WARNING
<p>To reduce the risk of fire or explosion, if the tumbler is to be connected to Liquefied Petroleum (L.P.) gas, a vent to the outdoors must be provided in the room where the tumbler is installed.</p>	
W062	

NOTE: This manual is only a supplement. Refer to installation/operation manual for full instructions.

European Gas

	WARNING
<p>To reduce the risk of electric shock, fire, explosion, serious injury or death:</p> <ul style="list-style-type: none"> • Disconnect electric power to the tumbler before servicing. • Close gas shut-off valve to gas tumbler before servicing. • Close steam valve to steam tumbler before servicing. • Never start the tumbler with any guards/panels removed. • Whenever ground wires are removed during servicing, these ground wires must be reconnected to ensure that the tumbler is properly grounded. 	
W002	

General Information

This information is to be used when installing gas tumblers in countries, and/or on gases, different than the machine's factory configuration. Tumblers are supplied from the factory for operation on Natural Gas or L.P. Gas in the countries of GB/IE/PT/ES/IT/GR/LU/CH. To install machines in any other country, or on any other gas, requires some level of modification.

Models are built in two different configurations:

- **Regulated Natural Gas** – Burner orifice is sized for Natural Gas, second family, group H (E) at 20 mbar inlet pressure. Regulator/governor is operational. Gas valve CAN be field-converted to a non-regulating type.
- **Unregulated Liquefied Petroleum (L.P.) Gas** – Burner orifice is sized for L.P., third family, group 3+ at 28.37 mbar inlet pressure. Regulator/governor is blocked open. Gas valve CANNOT be field-converted to a regulating type.

Serial plates supplied from the factory are configured for the countries of GB/IE/PT/ES/IT/GR/LU/CH. These instructions pertain to the situations when the country of use or gas supply is different than that on the serial plate.

NOTE: This manual is only a supplement. Refer to installation/operation manual for full instructions.

Installation/Operation Supplement

Gases and Configurations

Country Code	Gas Type	Group	Supply Pressure, mbar	Burner Orifice Pressure, mbar	Capacity/ Model	Diameter, mm	Quantity	Burner Orifice Part No.	
DK/NO/ SE/FI/CZ/ EE/LV/LT/ SI/SK	Natural Gas	H	20	7.6	25	3.9	1	M402980	
				8.0	30	4.0	1	M402992	
				8.0	T30	4.0	2	M402992	
				8.0	35	4.6	1	M411511	
				8.0	T45	4.6	2	M411371	
				8.0	55	5.2	1	M402993	
	L.P. Gas	B/P	30	No Governor	25	25	2.1	1	M401003
					30	30	2.2	1	M401011
					T30	T30	2.2	2	M401011
					35	35	2.5	1	M406361
					T45	T45	2.5	2	M401007
					55	55	3.0	1	M401017
DE	Natural Gas	E	20	7.6	25	3.9	1	M402980	
				8.0	30	4.0	1	M402992	
				8.0	T30	4.0	2	M402992	
				8.0	35	4.6	1	M411511	
				8.0	T45	4.6	2	M411371	
				8.0	55	5.2	1	M402993	
	L.P. Gas	LL	30	No Governor	25	25	2.1	1	M401003
					30	30	2.2	1	M401011
					T30	T30	2.2	2	M401011
					35	35	2.5	1	M406361
					T45	T45	2.5	2	M401007
					55	55	3.0	1	M401017
NL	Natural Gas	L	25	11.0	25	25	3.9	1	M402980
					30	30	4.0	1	M402992
					T30	T30	4.0	2	M402992
					35	35	4.6	1	M411511
					T45	T45	4.6	2	M411371
					55	55	4.8	1	M411372
	L.P. Gas	B/P	30	No Governor	25	25	2.1	1	M401003
					30	30	2.2	1	M401011
					T30	T30	2.2	2	M401011
					35	35	2.5	1	M406361
					T45	T45	2.5	2	M401007
					55	55	3.0	1	M401017

Table 1 (continued)

Burner orifice information at 0-600 meters (0-2000 feet) altitude.

Table 1 (continued)

Country Code	Gas Type	Group	Supply Pressure, mbar	Burner Orifice Pressure, mbar	Capacity/ Model	Diameter, mm	Quantity	Burner Orifice Part No.
BE/FR*	Natural Gas	E+	20 or 25	No Governor	25	3.9	1	M402980
					30	3.3	1	M401021
					T30	3.3	2	M401021
					35	3.7	1	M400998
					T45	3.7	2	M401000
	55	4.0	1	M401012				
	L.P. Gas	+	28 or 37	No Governor	25	2.1	1	M401003
					30	2.2	1	M401011
					T30	2.2	2	M401011
					35	2.5	1	M406361
T45					2.5	2	M401007	
55	2.8	1	M411512					
GB/IE/PT/ ES/IT/GR/ LU/CH	Natural Gas	H	20	7.6	25	3.9	1	M402980
				8.0	30	4.0	1	M402992
				8.0	T30	4.0	2	M402992
				8.0	35	4.6	1	M411511
				8.0	T45	4.6	2	M411371
	8.0	55	5.2	1	M402993			
	L.P. Gas	+	28 or 37	No Governor	25	2.1	1	M401003
					30	2.2	1	M401011
					T30	2.2	2	M401011
					35	2.5	1	M406361
T45					2.5	2	M401007	
55	2.8	1	M411512					
AT	Natural Gas	H	20	7.6	25	3.9	1	M402980
				8.0	30	4.0	1	M402992
				8.0	T30	4.0	2	M402992
				8.0	35	4.6	1	M411511
				8.0	T45	4.6	2	M411371
	8.0	55	5.2	1	M402993			
	L.P. Gas	B/P	30	No Governor	25	2.1	1	M401003
					30	2.2	1	M401011
					T30	2.2	2	M401011
					35	2.5	1	M406361
T45					2.5	2	M401007	
55	3.0	1	M401017					
CY/IS/MT	L.P. Gas	B/P	30	No Governor	25	2.1	1	M401003
					30	2.2	1	M401011
					T30	2.2	2	M401011
					35	2.5	1	M406361
					T45	2.5	2	M401007
55	3.0	1	M401017					

Table 1 (continued)

Burner orifice information at 0-600 meters (0-2000 feet) altitude.

*For Natural Gas, Group E+ applications, convert using L.P. Gas model and replace burner orifice.

Installation/Operation Supplement


Table 1 (continued)

Country Code	Gas Type	Group	Supply Pressure, mbar	Burner Orifice Pressure, mbar	Capacity/ Model	Diameter, mm	Quantity	Burner Orifice Part No.					
HU	Natural Gas	H	25	7.6	25	3.9	1	M402980					
				8.0	30	4.0	1	M402992					
				8.0	T30	4.0	2	M402992					
				8.0	35	4.6	1	M411511					
				8.0	T45	4.6	2	M411371					
				8.0	55	5.2	1	M402993					
	L.P. Gas	B/P	30	No Governor	25	2.1	1	M401003					
					30	2.2	1	M401011					
					T30	2.2	2	M401011					
					35	2.5	1	M406361					
					T45	2.5	2	M401007					
					55	3.0	1	M401017					
					PL	Natural Gas	H	20	7.6	25	3.9	1	M402980
									8.0	30	4.0	1	M402992
8.0	T30	4.0	2	M402992									
8.0	35	4.6	1	M411511									
8.0	T45	4.6	2	M411371									
8.0	55	5.2	1	M402993									
L.P. Gas	3P	37	No Governor	25		2.1	1	M401003					
				30		2.2	1	M401011					
				T30		2.2	2	M401011					
				35		2.5	1	M406361					
				T45		2.5	2	M401007					
				55		2.8	1	M411512					

Table 1

Burner orifice information at 0-600 meters (0-2000 feet) altitude.

Exhaust Requirements

	WARNING
<p>A drying tumbler produces combustible lint. To reduce the risk of fire, the tumbler must be exhausted to the outdoors.</p> <p style="text-align: right;"><small>W057</small></p>	
<p>To reduce the risk of fire and accumulation of combustible gases, DO NOT exhaust tumbler air into a window well, gas vent, chimney or enclosed, unventilated area such as an attic wall, ceiling, crawl space under a building, or concealed space of a building.</p> <p style="text-align: right;"><small>W059</small></p>	

Make-Up Air

IMPORTANT: Do not obstruct the flow of combustion and ventilation air.

A tumbler is forced air exhausted and requires provisions for make-up air to replace the air exhausted by the tumbler.

The required make-up air opening to the outside for each tumbler is:

709 sq. cm (110 sq. in.) for 25 and 30 pound models

928 sq. cm (144 sq. in.) for 35 and 55 pound models

1418 sq. cm (220 sq. in.) for T30 models

1856 sq. cm (288 sq. in.) for T45 models

Make-up air openings with louvers will restrict airflow. The opening must be increased to compensate for area taken up by louvers.

If it is necessary to duct make-up air to the tumbler(s), increase the area of the ductwork by 25% to compensate for any restriction in air movement.

Venting

Proper sized exhaust ducts are essential for proper operation. All elbows should be sweep type. Exhaust ducts must be assembled so the interior surfaces are smooth to prevent the accumulation of lint.

DO NOT use plastic or thin foil flexible ducts. Use exhaust ducts made of sheet metal or other noncombustible material. Use duct tape or pop-rivets on all seams and joints.


Verify that old ducts are thoroughly cleaned out before installing new tumbler.

NOTE: The ducts must be equivalent in strength and corrosion resistance to ducts made of galvanized sheet steel not less than 0.495 mm (0.0195 inches) thick.

IMPORTANT: For best performance, provide an individual exhaust duct for each tumbler. Do not install a hot water heater in room containing tumblers. It is better to have the water heater in a separate room with a separate air inlet.

NOTE: This manual is only a supplement. Refer to installation/operation manual for full instructions.

Electrical Requirements


	WARNING
<p>To reduce the risk of electric shock, fire, explosion, serious injury or death:</p> <ul style="list-style-type: none">• Disconnect electric power to the tumbler before servicing.• Close gas shut-off valve to gas tumbler before servicing.• Close steam valve to steam tumbler before servicing.• Never start the tumbler with any guards/panels removed.• Whenever ground wires are removed during servicing, these ground wires must be reconnected to ensure that the tumbler is properly grounded. <p style="text-align: right;">W002</p>	
<p>To reduce the risk of fire and electric shock, check with a qualified serviceman for proper grounding procedures. Improper connection of the equipment grounding conductor may result in a risk of electric shock.</p> <p style="text-align: right;">W068</p>	
<p>To reduce the risk of fire and electric shock, if electrical supply is coming from a three phase service, DO NOT connect a “High Leg” or “Stinger Leg” to a single phase machine. On a three phase machine, if there is a “High Leg” or “Stinger Leg” it should be connected to L3.</p> <p style="text-align: right;">W069</p>	


Grounding Instructions

NOTE: To ensure protection against shock, this tumbler MUST be electrically grounded in accordance with the local codes or, in the absence of local codes, with the latest edition of the National Electrical Code ANSI/NFPA No. 70.

In the event of malfunction or breakdown, grounding will reduce the risk of electric shock by providing a path of least resistance for electric current. This tumbler must be connected to a grounded metal, permanent wiring system; or an equipment grounding conductor must be run with the circuit conductors and connected to the appropriate ground location.

- Metal conduit and/or BX cable is not considered ground.
- Connecting the Neutral from the electrical service box to the tumbler ground screw does not constitute a ground.
- A dedicated ground conduit (wire) must be connected between the electrical service box ground bar and the tumbler ground screw.

	WARNING
<p>To reduce the risk of electrical shock, de-energize the electrical circuit being connected to the tumbler before making any electrical connections. All electrical connections should be made by a qualified electrician. Never attempt to connect a live circuit.</p> <p style="text-align: right;">W409</p>	

	CAUTION
<p>Label all wires prior to disconnection when servicing controls. Wiring errors can cause improper and dangerous operation. Verify proper operation after servicing.</p> <p style="text-align: right;">W071</p>	

All manually operated models are factory-equipped with an emergency stop button on the front panel.

NOTE: Activation of the emergency stop button stops all machine control circuit functions, but DOES NOT remove all electrical power from machine.

NOTE: This manual is only a supplement. Refer to installation/operation manual for full instructions.

Steam Requirements

NOTE: The maximum allowable steam pressure is 8.6 bar (125 psig). In no case may the pressure exceed this value.

Obtain specific steam service pipe sizes from the steam system supplier or a qualified steam fitter.

- Refer to *Figure 2* for proper steam pipe configurations.
- When tumbler is on the end of a line of equipment, extend header at least 1.2 meters (4 feet) beyond tumbler. Install shut-off valve, union, check valve and bypass trap at end of line. If system has a gravity return to the boiler, omit trap.
- Insulate steam supply and return lines for safety of operator and safety while servicing tumbler.
- Keep tumbler in good working condition. Repair or replace any worn or defective parts.



WARNING

All system components must have a 8.6 bar (125 psig) working pressure. Shut-off valves must be installed upstream of the steam solenoid valve and downstream of each steam trap so components can be isolated for maintenance or emergency purposes.

All components (solenoid valve, traps) must be supported to minimize loads on the tumbler steam coil connections.

W701

NOTE: This manual is only a supplement. Refer to installation/operation manual for full instructions.

Installation/Operation Supplement

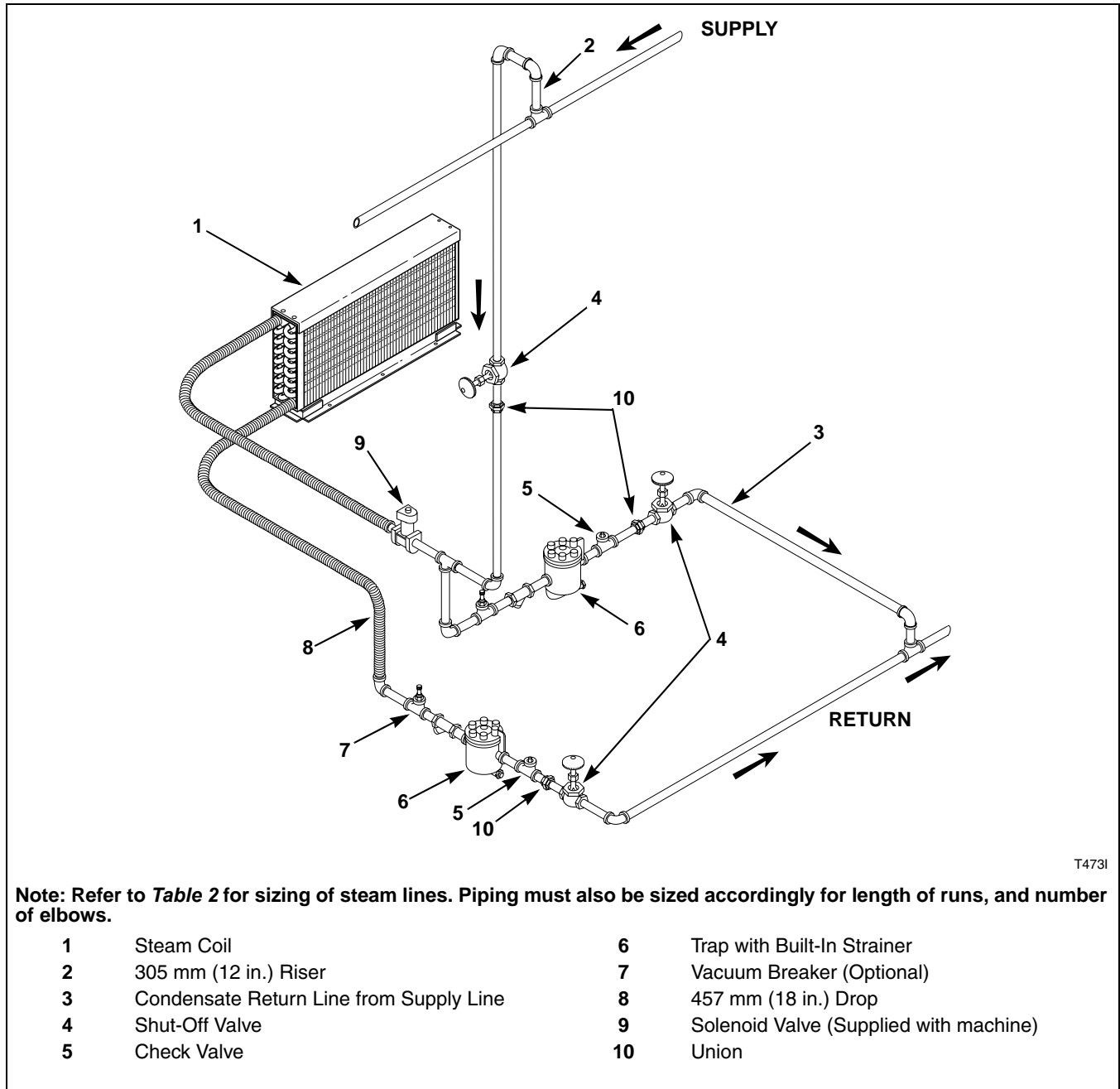


Figure 2

Model	Steam Pressure PSI (bar)	Minimum Pipe Diameter	Steam Trap Size * (Pounds Condensate/Hour)
25/30 Pound	15-100 (1-6.9)	3/4 in. NPT	134
T30	15-100 (1-6.9)	3/4 in. NPT	110
35 Pound	15-100 (1-6.9)	3/4 in. NPT	166

* Based on 100 PSI.

Table 2

Operation



WARNING

To reduce the risk of fire:

- **DO NOT DRY** articles containing foam rubber or similarly textured rubberlike materials.
- **DO NOT DRY** plastics, anything containing wax or chemicals such as mops and cleaning cloths, or anything dry-cleaned at home with a dry-cleaning solvent.
- **DO NOT TUMBLE** fiberglass curtains and draperies unless the label says it can be done. If they are dried, wipe out the cylinder with a damp cloth to remove particles of fiberglass.

W076

To reduce the risk of serious injury, allow cylinder to stop before cleaning lint screen.

W412

Emergency Stop Button

All OPL tumblers are factory equipped with an emergency stop button located on the front panel. Refer to *Figure 3*.

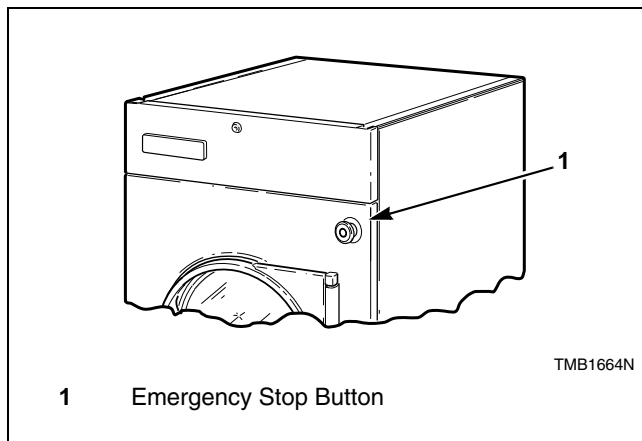


Figure 3

To operate emergency stop button:

- Press red emergency stop button to stop all action.
- To restart machine, pull red emergency stop button out and press START pad or button.

NOTE: Activation of the emergency stop button stops all machine control circuit functions but DOES NOT remove all electrical power from machine.

Operating Instructions

Step 1: Clean Lint Screen/Compartment

Remove any accumulated lint from the lint screen and compartment. Close panel tightly against tumbler frame and lock panel securely, if applicable.

IMPORTANT: Clean lint screen and lint compartment daily. Failure to clean the lint screen daily will result in higher than normal temperatures that may damage laundry.

Step 2: Load Laundry

Open loading door and load cylinder with laundry. DO NOT OVERLOAD.

NOTE: Overloading causes slow drying and wrinkling.

Close loading door. Tumbler will not operate with the door open.

Step 3: Determine Control Type and Temperature Setting

Refer to the various controls in the *Control Instructions Section*, pages 24 - 27 determine appropriate control and then follow the instructions.

T30 Models Only: Use the correct coin slot and control panel for the top or bottom cylinder.

The type of fabric being dried will determine the temperature setting. Consult the fabric care label or fabric manufacturer to determine proper temperature setting.

IMPORTANT: Always follow the fabric care instructions supplied by the garment manufacturer.

Step 4: Remove Laundry

When the cycle is complete, open door and remove the laundry.

Control Instructions

Dual Digital Timer Control

QT Control Suffix

1. Select HIGH, MED, LOW or NO HEAT by turning the temperature knob.

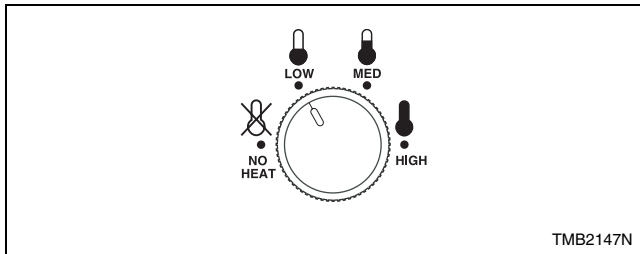


Figure 4

2. Set the HEAT TIME for the number of minutes (from 0-60) desired.

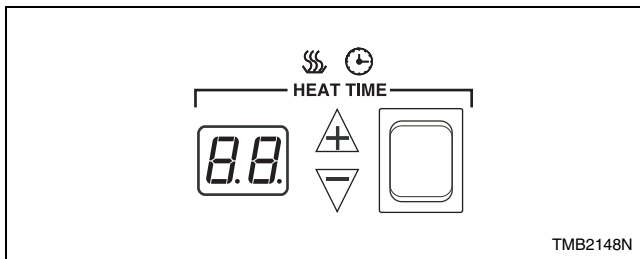


Figure 5

3. Set the COOL DOWN TIME for the number of minutes (from 0-15) desired.

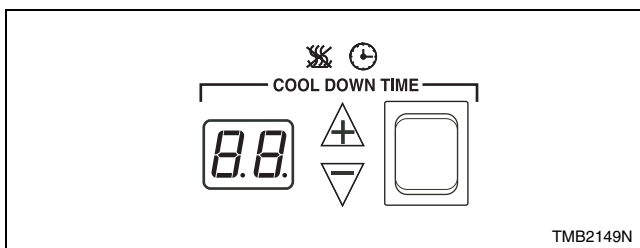


Figure 6

4. Press and release START button to start tumbler. Display will show minutes remaining before end of cycle.

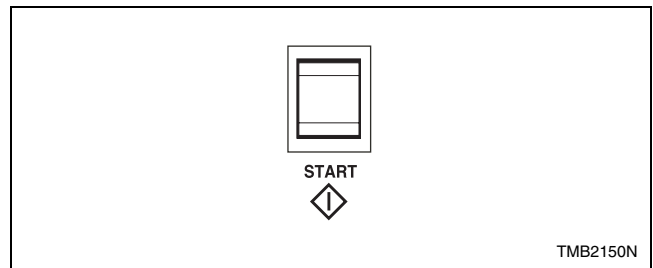


Figure 7

IMPORTANT: To stop the tumbler at any time during the cycle, OPEN DOOR. If the loading door or lint panel door is opened during the cycle, the heating system will shut off and the motor will stop. To restart the cycle, both doors must be closed and the START button must be pressed in.

5. When the cycle is complete, open door and remove the laundry.

Electronic OPL Micro Control

H, L, P, S, U and Y Models with OM Control Suffix

1. To use an Automatic Cycle, press an ON/ SELECT pad. Select HIGH, MEDIUM, MED LOW, LOW or NO HEAT for items that should not be dried with heat. A light to the left of the selected pad lights up.

To use a Time Dry or Custom Cycle, refer to the *Programming Manual*.

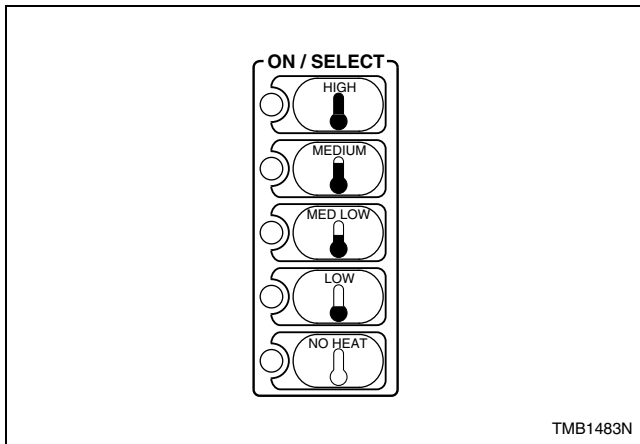


Figure 8

NOTE: Do not press directly on lights or the center of pad. For proper selection, press on pad slightly to the right of center. Refer to Figure 9.

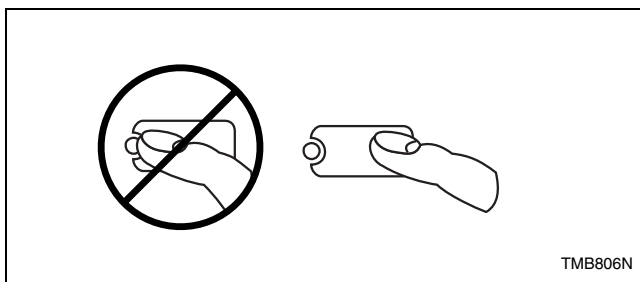


Figure 9

2. Press START pad to start tumbler.

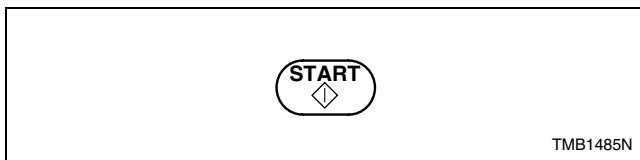


Figure 10

NOTE: All pads can be pressed in any sequence without damaging control or tumbler. To stop the tumbler at any time, open the door or press STOP/ RESET.

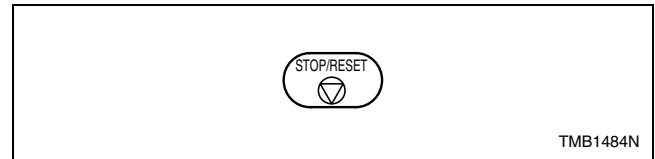


Figure 11

NOTE: The window display will flash. Press STOP/ RESET twice (within 3 seconds) to end the cycle and reset the control to idle status. To restart the tumbler, CLOSE door and press START pad.

IMPORTANT: If the loading door or lint panel door is opened during the cycle, the heating system will shut off and the motor will stop. To restart the cycle, both doors must be closed and the PUSH TO START button must be pressed in.

3. When the cycle is complete, open door and remove the laundry.

G and K Models with OM Control Suffix

1. To use an Automatic Cycle, press a TEMPERATURE pad. Select HIGH, MED, LOW, DELICATE or NO HEAT for items that should not be dried with heat. A light to the left of the selected pad lights up.

To use a Time Dry or Custom Cycle, refer to the *Programming Manual*.

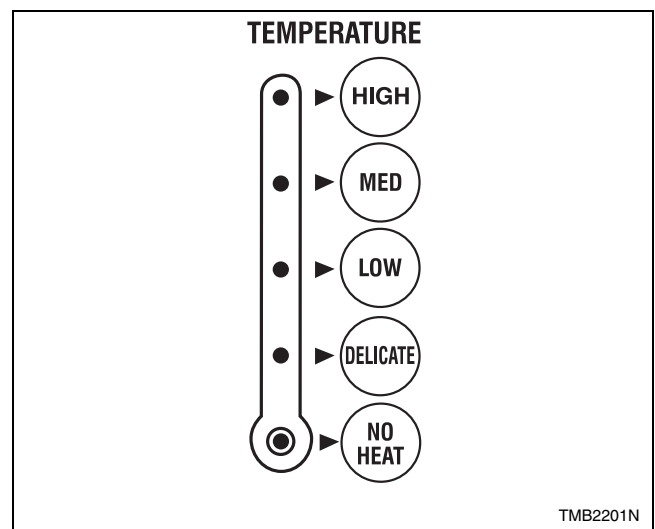


Figure 12

Installation/Operation Supplement

2. Press START pad to start tumbler.

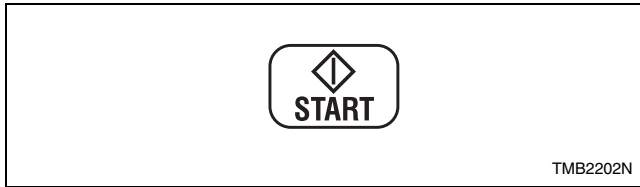


Figure 13

NOTE: All pads can be pressed in any sequence without damaging control or tumbler. To stop the tumbler at any time, open the door or press STOP.

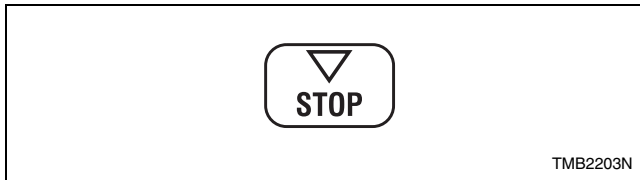


Figure 14

NOTE: The window display will flash. Press STOP twice (within 3 seconds) to end the cycle and reset the control to idle status. To restart the tumbler, CLOSE door and press START pad.

IMPORTANT: If the loading door or lint panel door is opened during the cycle, the heating system will shut off and the motor will stop. To restart the cycle, both doors must be closed and the PUSH TO START button must be pressed in.

3. When the cycle is complete, open door and remove the laundry.

Single Drop Control

SD and SX Control Suffixes

1. Select HIGH, MED, LOW or NO HEAT by turning the temperature knob.

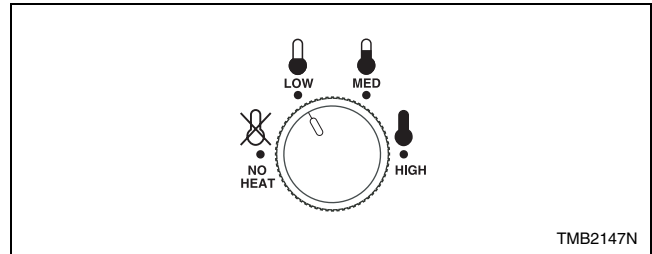


Figure 15

2. Insert the coin(s) in the coin slot.

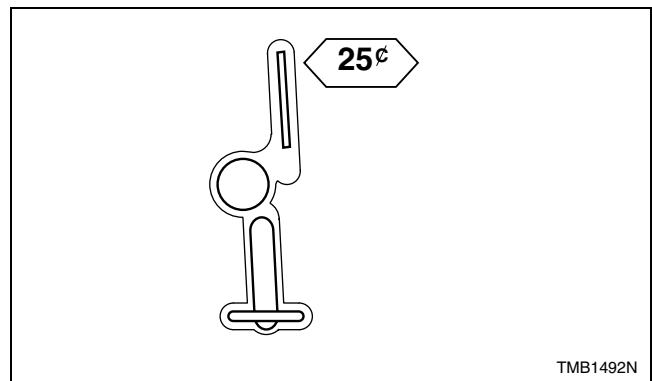


Figure 16

3. Press START button to start tumbler

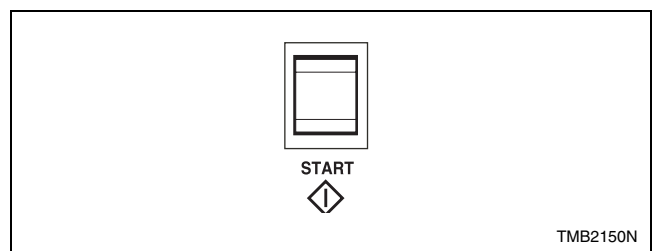


Figure 17

IMPORTANT: To stop the tumbler at any time during the cycle, OPEN DOOR. To restart the tumbler, CLOSE door and press START button.

4. When the cycle is complete, open door and remove the laundry.

MDC Coin and Card Control

BC, BG, BL, BX and BY Control Suffixes

- 1. Select temperature by pressing the appropriate temperature pad.

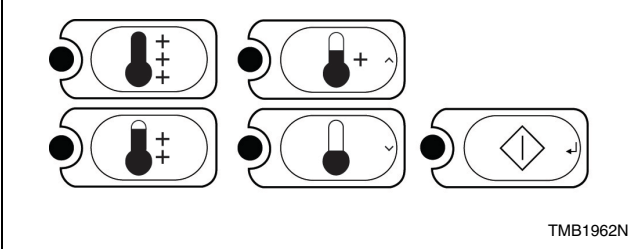


Figure 18

- 2. Insert the coin(s) in the coin slot, or the card into the opening.

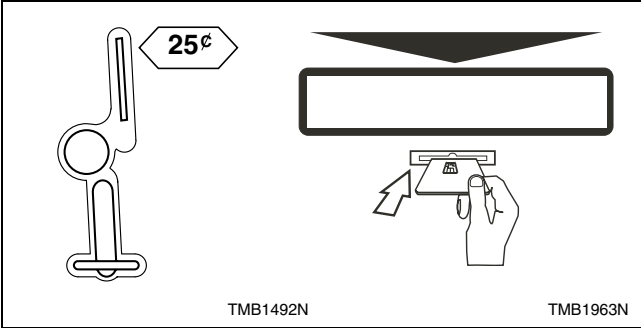


Figure 19

- 3. Press START pad to start tumbler.

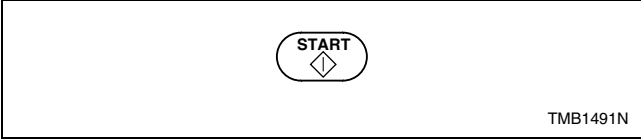


Figure 20

IMPORTANT: To stop the tumbler at any time during the cycle, OPEN DOOR. To restart the tumbler, CLOSE door and press START pad.

- 4. When the cycle is complete, open door and remove the laundry.

Ignition Control Operation

Flame Probe Tests

Unexpected Presence of Flame

The Unexpected Presence of Flame test is performed when no flame is expected. Failure of this test results in the ignition control entering Lockout Mode with the Diagnostic LED displaying Error Code 3.

Flame Monitoring

During the Flame Monitoring test, the flame is checked to ensure the gas is being burned when the gas valve is on. Failure of this test will result in the ignition control entering Lockout Mode with the Diagnostic LED displaying Error Code 3.

Diagnostic LED (DGN LED) / Error Codes

The Diagnostic LED or DGN LED is located by the power connector on the ignition control. Refer to *Figure 21*. The Diagnostic LED will indicate the status of the ignition control. Refer to *Table 3*.

LED Color	Description
Orange-Yellow	Initialization
Green	Standby / Normal Operation
Red	Fault Indication Code

Table 3

The Diagnostic LED will flash error codes one half second on and one half second off. Error codes are separated by a one second pause before the code is repeated.

Error Code	DGN LED status	Fault Type
1	Red	Ignition Control Internal Failure
2	2 Red Flashes	Gas Valve Not Connected
3	3 Red Flashes	Ignition/Flame Sense Failure
4	4 Red Flashes	Reset Switch is Shorted
5	Slow Red and Green Flashes	Low Voltage Detection
6	Fast Red and Orange Flashes	Ignition Control is in Reset Delay

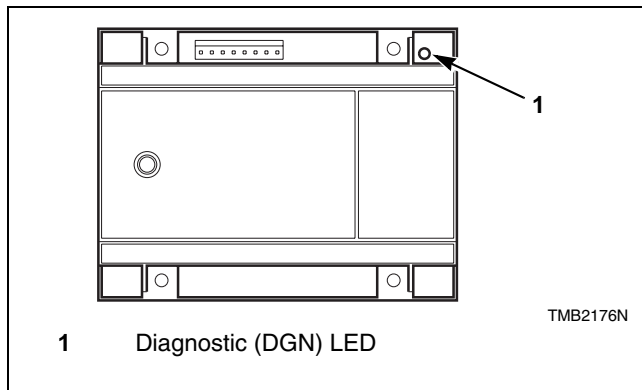


Figure 21

Disposal of Unit

This appliance is marked according to the European directive 2002/96/EC on Waste Electrical and Electronic Equipment (WEEE).

This symbol on the product or on its packaging indicates that this product shall not be treated as household waste. Refer to *Figure 22*. Instead it shall be handed over to the applicable collection point for the recycling of electrical and electronic equipment. Ensuring this product is disposed of correctly will help prevent potential negative consequences for the environment and human health which could otherwise be caused by inappropriate waste handling of this product. The recycling of materials will help to conserve natural resources. For more detailed information about recycling of this product, please contact the local city office, household waste disposal service, or the source from which the product was purchased.

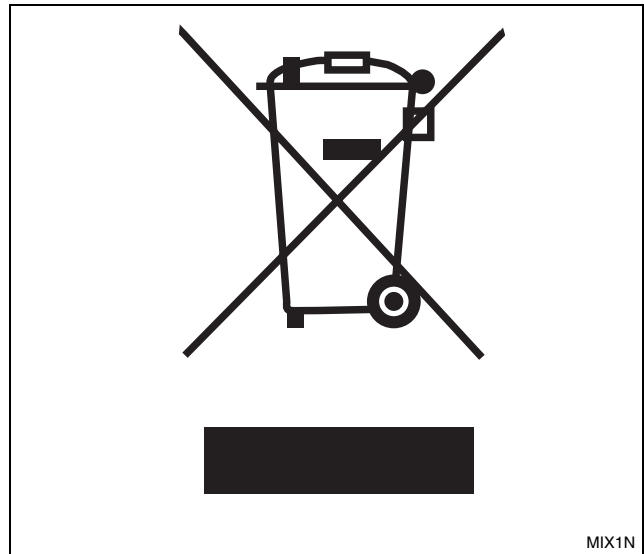


Figure 22