



RM7000A-R2

RM7001A-R2

RM7002

RM7003A-R2

RM7004A-R2

RM7005A-R2

RM7006

RM7007

RM7008A-R2

RM7010

4-Post Steel Open Racks

These 15U, 22U, 37U, 42U, and 51U racks provide exceptional stability.

Hold up to 2200 pounds of equipment.



Customer
Support
Information

Order toll-free in the U.S.: Call 877-877-BBOX (outside U.S. call 724-746-5500)
FREE technical support 24 hours a day, 7 days a week: Call 724-746-5500 or fax
724-746-0746 • Mailing address: Black Box Corporation, 1000 Park Drive, Lawrence,
PA 15055-1018 • Web site: www.blackbox.com • E-mail: info@blackbox.com

Trademarks Used in this Manual

Trademarks Used in this Manual

Black Box and the Double Diamond logo are registered trademarks of BB Technologies, Inc.

Any other trademarks mentioned in this manual are acknowledged to be the property of the trademark owners.

1. Specifications

Exterior Height — RM7000A-R2: 80.5" (204.5 cm);

RM7001A-R2: 45.5" (115.6 cm);

RM7003A-R2: 33.25" (84.5 cm);

RM7004A-R2: 96" (243.8 cm);

RM7005A-R2: 108" (274.3 cm);

RM7008A-R2: 72" (183 cm)

Exterior Width — 20.6" (52.3 cm)

Exterior Depth — 29" (73.7 cm)

Rack Units — RM7000A-R2: 42U;

RM7001A-R2: 22U;

RM7003A-R2: 15U;

RM7004A-R2: 51U;

RM7005A-R2: 58U;

RM7008A-R2: 37U

Interior Width — 19" (48.3 cm)

Weight — RM7000A-R2: 80 lb. (36.4 kg);

RM7001A-R2: 65 lb. (29.5 kg);

RM7003A-R2: 60 lb. (27.3 kg);

RM7004A-R2: 94 lb. (42.7 kg);

RM7005A-R2: 101 lb. (45.9 kg);

RM7008A-R2: 79 lb. (35.8 kg)

Chapter 2: Overview

2. Overview

2.1 Introduction

The 4-Post Steel Open Rack combines the stability of a cabinet with the airflow of an open rack. It's made of 12-gauge steel and supports up to 2200 pounds (1000 kg) of equipment. The rack conforms to EIA standards for 19" equipment mounting and has universal M6 holes. The rack is labeled with rack units. Mounting hardware is included.

Choose from six rack models. They are 19" wide and are available in the six heights listed below:

- RM7003A-R2 (15U)
- RM7001A-R2 (22U)
- RM7008A-R2 (37U)
- RM7000A-R2 (42U)
- RM7004A-R2 (51U)
- RM7005A-R2 (58U)

2.2 What's Included

- (2) 15U, 22U, 37U, 42U, 51U, or 58U uprights, right hand
- (2) 15U, 22U, 37U, 42U, 51U, or 58U uprights, left hand
- (4) 23"D horizontal depth brackets
- (4) top/bottom horizontal width brackets
- (16) $\frac{3}{8}$ "-16 x $\frac{3}{4}$ " long flat head screws, hex drive
- (16) $\frac{1}{2}$ "-13 x 1" hex head bolts, black oxide, wax coat, RoHS compliant
- (16) $\frac{1}{2}$ " split lockwashers, black oxide, wax coat, RoHS compliant
- (16) $\frac{1}{2}$ "-13 finished hex nuts, black oxide, wax coat, RoHS compliant
- (50) M6 metric threaded universal mounting cage nuts
- (50) M6 x 12 mm long metric threaded Phillips head screws, black

2.3 Optional Accessories

- Baying Kit (RM7002)
- RM7000A-R2 Series Caster Set (RM7006)
- RM7000A-R2 Series Flat Top (RM7007)
- Fixed Vented Shelf, 28.9"D, 50-lb. Capacity (RM7010)
- Fixed Vented Server Shelf, 27¼"D, 150-lb. Capacity (RM403)
- Fixed Vented Server Shelf, 30"D, 150-lb. Capacity (RM410)

Chapter 3: Assembly Instructions

3. Assembly Instructions

Tools You Will Need

- 3/4" socket
- 3/4" wrench
- 7/32" hex key wrench

Step 1: Assembling the Bottom Corners of the Rack

A. Lay the left-hand and right-hand uprights on end, facing each other.

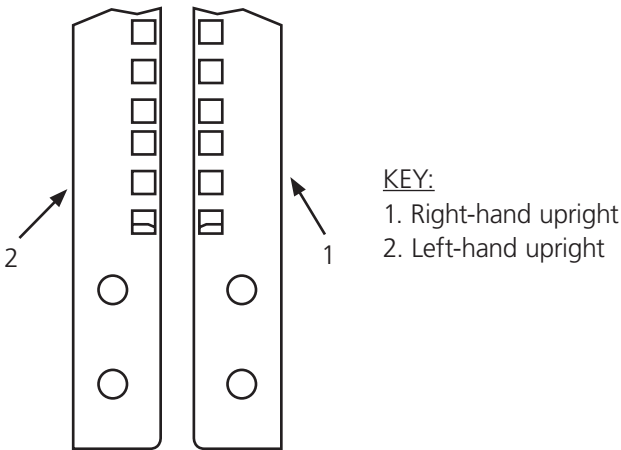
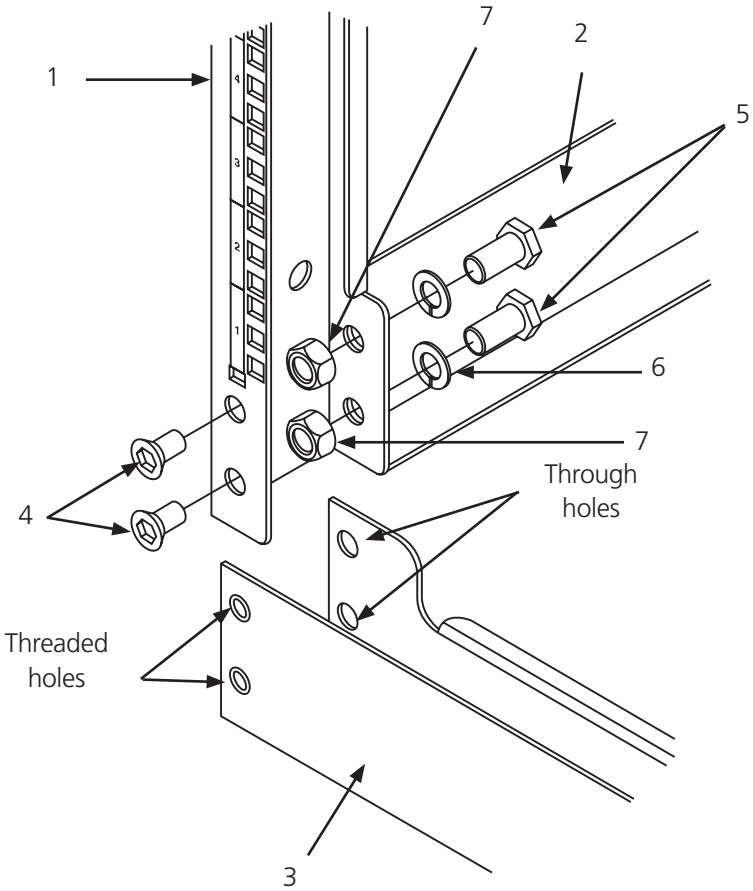


Figure 3-1. Uprights.

B. Align the through holes in one top/bottom horizontal width bracket (#3 in Figure 3-2) with the through holes in one left-hand upright (#1 in Figure 3-2). Install (2) 3/8"-16 x 3/4" long flat head screws (see #4 in Figure 3-2) through the holes on the upright and the threaded holes on the horizontal width bracket (#3).



KEY:

1. Left-hand upright
2. Horizontal depth bracket
3. Horizontal width bracket
4. $\frac{3}{8}$ -16 x $\frac{3}{4}$ " long flat head screw
5. $\frac{1}{2}$ -13 x 1" hex head bolt
6. $\frac{1}{2}$ " split lockwasher
7. $\frac{1}{2}$ -13 finished hex nut

Figure 3-2. Assembling the rack corners.

Chapter 3: Assembly Instructions

- C. Align the through holes in one top/bottom horizontal depth bracket (#2 in Figure 3-2) with the through holes on the opposite side of the upright in Step 1B (#1 in Figure 3-2). Install (2) ½"-13 x 1" hex head bolts, lockwashers, and (2) ½-13 finished hex head nuts (see #5, #6, and #7 in Figure 3-2).
- D. Align the through holes on the other side of the horizontal width bracket in Step 1B (#3 in Figure 3-2) with the through holes in one right-hand upright (#1 in Figure 3-1).
- E. Repeat steps A–D for the remaining left- and right-hand uprights (#1 and #2 in Figure 3-1), horizontal width bracket (#3 in Figure 3-2), and horizontal depth bracket (#2 in Figure 3-2).

Step 2: Assembling the Top Corners of the Rack

- A. Stand the bottom corner assembly from Step 1 with the horizontal width and depth brackets' bottom edges flat on the floor.
- B. Repeat Steps 1B through 1E for the remaining two top/bottom horizontal width brackets and the two top/bottom horizontal depth brackets. See Figure 3-2.

Step 3: Final Tightening

Square the unit using a level or carpenter square. Tighten all bolts using a ¾" socket and/or wrench.

Step 4: Secure the Rack to the Floor

CAUTION: Before installing equipment in the rack, bolt it to the floor, or to an equally stable and secure surface before installing any equipment.

Step 5: Installing the Optional Accessories

Installing the Flat Top

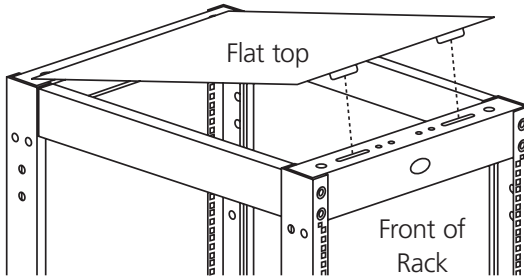


Figure 3-3. Installing the flat top.

Installing the Casters

If you don't want to secure the rack to the floor, you can use optional casters (RM7006) that install on the bottom of the rack.

Black Box Tech Support: FREE! Live. 24/7.

Tech support the
way it should be.



Great tech support is just 30 seconds away at
724-746-5500 or blackbox.com.



About Black Box

Black Box provides an extensive range of networking and infrastructure products. You'll find everything from cabinets and racks and power and surge protection products to media converters and Ethernet switches all supported by free, live 24/7 Tech support available in 30 seconds or less.

© Copyright 2012. Black Box Corporation.