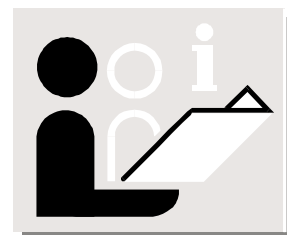
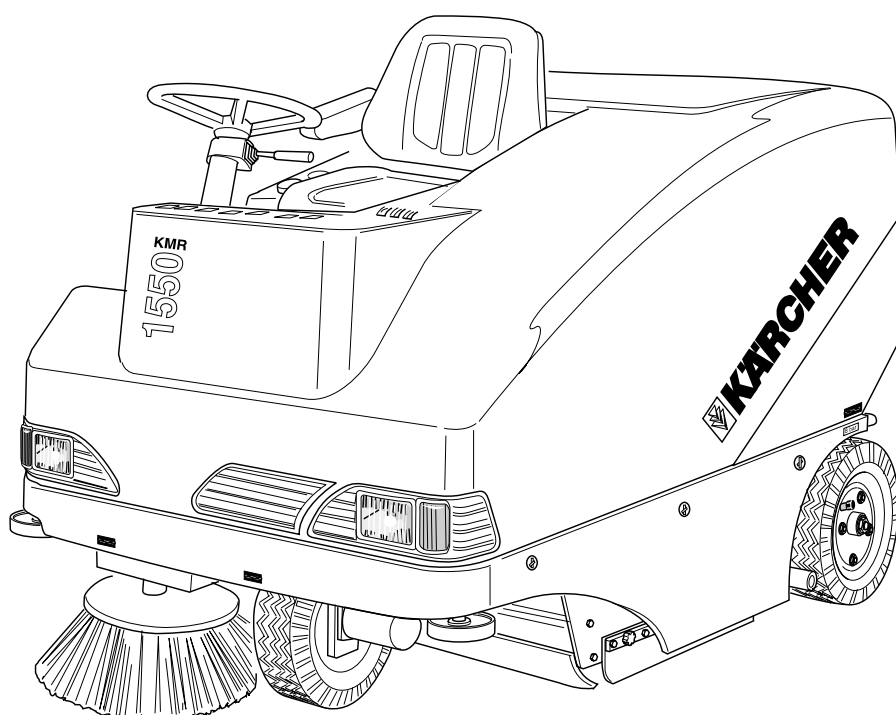


KMR 1550 B

1.948-204

1.948-224



Deutsch	Bedienungsanleitung Ersatzteilliste	Seite 1 Seite 242
English	Operating Instructions Spare Parts List	Page 23 Page 242
Français	Notice d'instructions Liste des pièces de rechange	Page 45 Page 242
Italiano	Istruzioni per l'uso Elenco pezzi di ricambio	Pagina 67 Pagina 242
Nederlands	Gebruiksaanwijzing Lijst met vervangingsonderdelen	Pagina 89 Pagina 242
Español	Instrucciones de servicio Lista de repuestos	Página 111 Página 242
Ελληνικά	Οδηγίες χειρισμού Κατάλογος ανταλλακτικών	Σελίδα 133 Σελίδα 242
Norsk	Bruksanvisning Reservedelsliste	side 155 side 242
Svenska	Bruksanvisning Reservdelslista	sid 177 sid 242
Suomi	Käyttöohje Varaosaluettelo	Sivu 199 Sivu 242
Hrvatski	Uputstvo za upotrebu Popis rezervnih dijelova	Strana 221 Strana 242

Contents

For your safety	24
On behalf of the environment	25
Intended applications	25
Unit functions	25
Main features	
Prior to initial start-up	26
Unloading procedure	
Moving the sweeper	
Operating the sweeper	27
Operating controls	
Dashboard	
Preparing the sweeper for use	28
Adjusting the driver's seat	
Filling the fuel tank	
Opening the fuel tap	
Starting the sweeper	29
Driving the sweeper for the first time	
Moving off	
Braking	
Bringing the sweeper to a halt and stopping the engine	
Cleaning the filter	30
Automatic cleaning	
Manual cleaning	
Emptying the waste container	30
Typical applications	31
Sweeping a dry floor surface	
Sweeping a damp or wet floor surface	
Picking up large items (sticks, cans, etc.)	
Overcoming obstacles	
Long-term storage	32
Transporting the sweeper	32
Cleaning and care	33
Maintenance	33
First engine oil change	
Initial inspection after 8 operating hours	
Daily maintenance	
Maintenance intervals	
Safety information applicable to maintenance tasks	
Maintenance tasks	34
Tipping the seat forwards/backwards	
Disconnecting the battery	
Opening/closing the bonnet	
Tool compartment and on-board tool kit	
Checking the tyre pressure	
Checking the engine oil level	
Topping up with engine oil	
Replacing the engine oil	
Replacing the engine oil filter	
Cleaning the air filter	
Replacing the fuel filter	
Checking the hydraulic fluid level	
Checking the level of electrolyte in the battery	
Charging the battery	
Replacing the sealing strips	
Replacing the side brush	
Replacing the brush roller	
Replacing fuses	
Replacing the dust filter	
Adjusting the sweeping pattern	
Troubleshooting	43
Technical specifications	44

For your safety

Before you use this machine for the first time, please read the following:

- these operating instructions
- the enclosed leaflet **Safety Information No. 5.956-250**.

Make sure that all information contained therein is complied with.



Explosion hazard while refuelling!

- Do not fill up with fuel
 - in an enclosed space
 - while the engine is running.
- Do not smoke while refuelling the vehicle.
- Fuel expands as it becomes warmer.
Do not fill the tank right up to the top. Leave a gap of at least 1 cm under the bottom edge of the filler neck.
- Wipe up any fuel they may have been spilt and ensure that the cap is replaced firmly on the tank.



Fire hazard while sweeper is operating!

- Keep highly inflammable materials away from the engine and the exhaust while the sweeper is operating.



Danger of toppling over on steep slopes!

The sweeper could topple over while it is being driven across or turning round on a steep slope.

- The maximum gradient up or down which the sweeper can be driven is 18%.
- Do not drive at right angles to a slope with a gradient steeper than 10%.



Danger of toppling over if bends are negotiated at high speed!

- The sweeper could topple over if it is driven round a bend at high speed. Drive slowly round bends.



Caution when carrying out maintenance or repairs!

In order to prevent the engine from being started unintentionally, proceed as follows:

- Remove the ignition key.
- Disconnect the battery at the negative terminal.



Caution while handling the battery!

Observe the safety information provided by the battery manufacturer. Always use batteries and chargers recommended by KÄRCHER, otherwise your warranty could be rendered invalid.

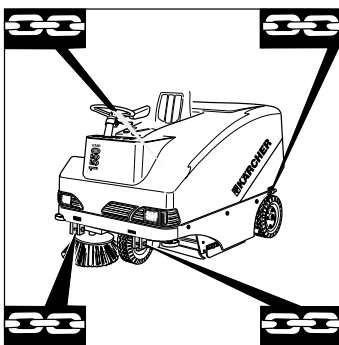


Caution while transporting the sweeper!

Make sure that the sweeper is secured properly if you are going to transport it to a different location.

Do not use a forklift truck for loading purposes as it could damage the sweeper.

- Apply the parking brake.
- Secure the sweeper as shown in the illustration, using
 - web belts
 - or
 - ropes
 - or
 - chains.



On behalf of the environment



Caution, environmental hazard due to exhausted batteries!

Exhausted batteries should not be treated as domestic refuse. Make sure that are disposed of in an environmentally appropriate manner.



Caution, environmental hazard due to engine oil or hydraulic fluid!

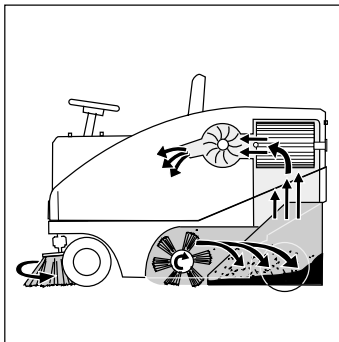
After you have changed the engine oil or hydraulic fluid, take the waste product to a recognised collection point or to a waste disposal company.

Intended applications

This sweeper

- has been designed for cleaning outdoor areas
- corresponds to Usage Category “U” for dust particles that do not constitute a danger to health
- should not be used in enclosed spaces
- may not be used on public roads or paths unless it has first been inspected by an official testing authority (MOT).

Unit functions



Main components

Drive

- 2-cylinder petrol engine (11.8 kW according to DIN 70 020)
- continuously-variable hydraulic drive system acting on front wheel
- brush roller and side brush driven by hydraulic motor
- hydraulic system for emptying dirt container
- high-performance generator.

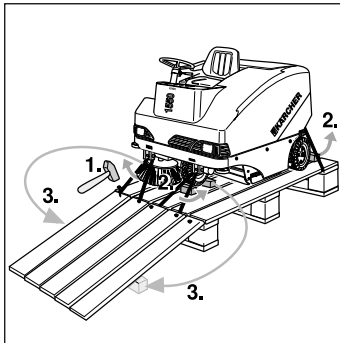
Sweeping unit

- brush roller with back-over-the-top action for particularly effective filling of waste container
- floating brush roller arrangement automatically adjusts to uneven floor surfaces
- Resettable to stationary main brush to significantly reduce wear of main brush for dealing with only slight dirt accumulation
- rapid replacement mechanism for brush roller and side brush
- adjustable side brush can be raised, swings out automatically
- bulk waste flap for picking up larger objects (e.g. cigarette packets or drinks cans).

Filter system

- integrated vacuum unit with radial turbine acting on the brush roller
- two-part filter with 2 x 6 m² filter area
- preliminary dust filter
- electrical filter shaker with automatic control.

Prior to initial start-up



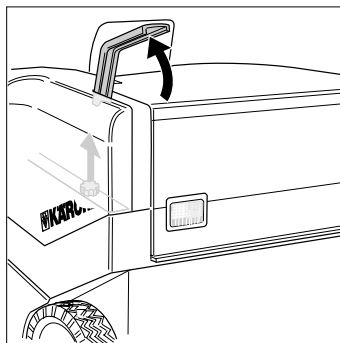
Unloading procedure



Do not use a forklift truck for unloading as it could cause damage to the sweeper.

The sweeper has been lashed onto a pallet to ensure that it can be transported safely. The procedure for unpacking the sweeper is as follows:

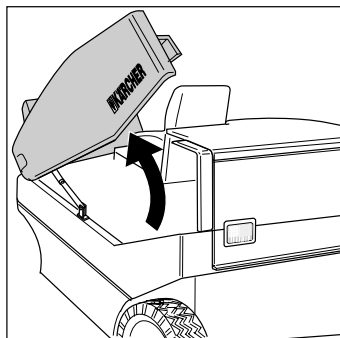
1. Remove the wooden boards from the pallet and nail them onto the end of the pallet (in front of the sweeper).
2. Detach the wires holding the sweeper in place at the ends of the pallet.
3. Knock away the blocks used for locking the wheels and use them for the support of the wooden planks on the left and right.
4. Drive the sweeper off the pallet and down the ramp made from the boards.
5. The side brush has been tied to the chassis for transport. Undo the cord holding it in place.



Moving the sweeper

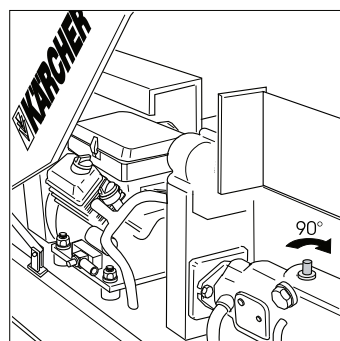
If you want to move the sweeper without starting the engine,

- Pull the section of panelling upwards and unscrew the knob on the inside of the bonnet.



- Raise the bonnet towards the front until it automatically locks in position.

- Take the open-jawed spanner (7 mm A/F) out of the tool kit.



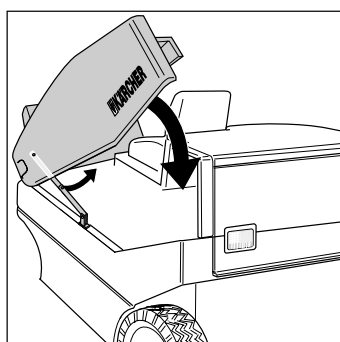
- Turn the free-wheel arm (bypass) on the hydraulic pump either to the right or left by 90°, using the open-jawed spanner (7 mm A/F).

Note:

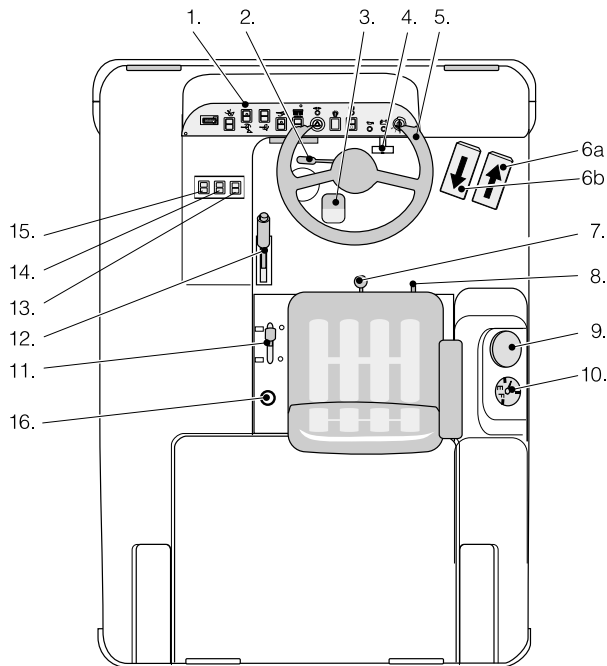
Do not move the sweeper over long distances or at a speed faster than 10 km/h with the switched off (e.g. when it is being towed), as this will result in damage to the hydraulic system.

After moving the sweeper without the engine running

- Turn the free-wheel arm back through 90°, otherwise it will not be possible to drive the sweeper normally.
- Lift the rod up slightly and close the bonnet.
- Tighten the knob on the inside of the bonnet.

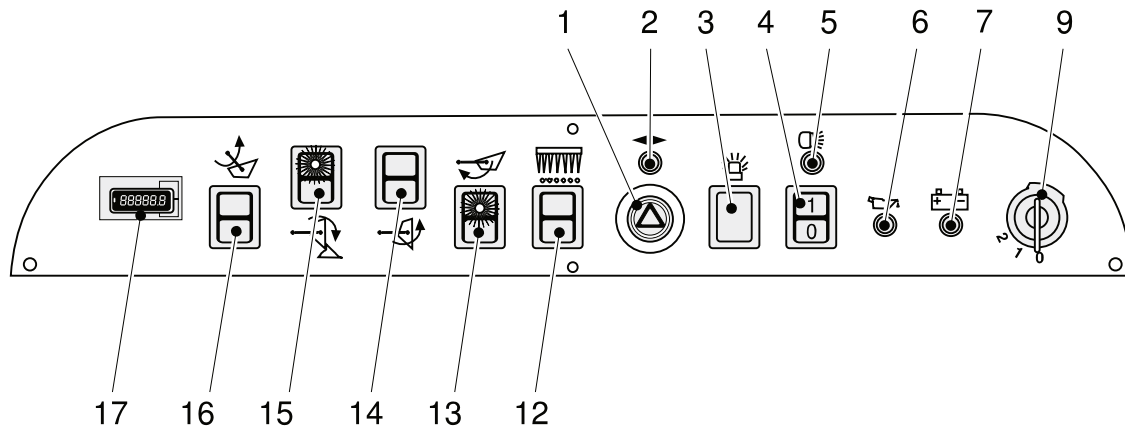


Operating the sweeper



Operating controls

1. Dashboard
(see next page for description of operating controls)
2. Lever on steering column (indicators, light, horn, main beam flasher)
3. Bulk waste flap
4. Adjusting r.p.m. of side brush
5. Steering wheel
- 6a. Forward drive pedal
- 6b. Reverse drive pedal
7. Vacuum unit
8. Adjusting mechanism, driver's seat
9. Fuel cap
10. Level indicator, fuel tank
11. Throttle lever
12. Parking brake
13. Raise/lower RH side brush
14. Raise/lower brush roller
15. Raise/lower LH side brush (optional)
16. Cold-start lever (choke)



Dashboard

1. Hazard warning lights
2. Indicator light (green), direction indicators
3. Rotating warning lamp (optional accessory)
4. Sidelights
5. Indicator light (green) for sidelights
6. Indicator light (red), oil pressure, diesel engine
(extinguishes as soon as the engine oil pump has built up sufficient pressure. If it lights up while the sweeper is operating, check the oil level or call Customer Service. See Chapter: "Maintenance").
7. Indicator light (red), battery charge state
(extinguishes as soon as the dynamo starts up. If it lights up while the sweeper is operating, call Customer Service).
8. Indicator light, preheating engine
9. Ignition lock
10. Indicator light (clear), engine air-intake filter
(when illuminated, clean or replace air filter on diesel engine. See Chapter: "Maintenance").
11. Indicator light (red), coolant
(if light illuminates while the sweeper is operating, check amount of water in radiator. See Chapter: "Maintenance").
12. Button for filter shaker
13. Switch, lower waste container
14. Switch, tip waste container inwards
15. Switch, tip waste container outwards
16. Switch, raise waste container
17. Operating hours recorder

Preparing the sweeper for use

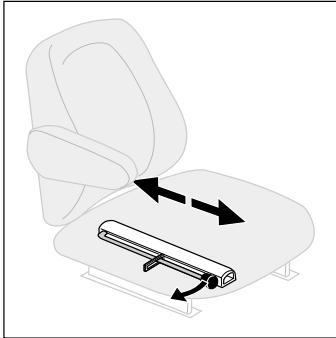
All directions given (left/right, front/rear) are as seen from the driver's seat.

- Check the oil level in the engine (see Chapter: "Maintenance").
- Check the level of coolant in the radiator (see Chapter: "Maintenance").
- Check the amount of fuel in the tank and fill up, if required (see below).
- Check the level of hydraulic fluid and top up, if required (see Chapter: "Maintenance").
- Check the air pressure in the tyres (see Chapter: "Maintenance").
- Inspect the brush roller and remove any string, rope, etc., that may be caught up in the brushes.
- Check the dust filter. If it is very dirty, operate the shaker to clean it off .
- Empty the waste container.

Adjusting the driver's seat

The driver's seat can be adjusted to fit people of different sizes.

- Pull the lever outwards.
- Adjust the seat position and release the lever.
- Move the seat back and forth to ensure that it has locked in position.



Filling the fuel tank

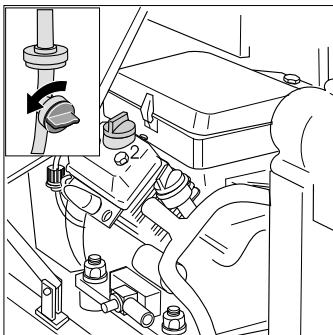


Explosion hazard while refuelling!

- Do not fill up with fuel
 - in an enclosed space
 - while the engine is running.
- Do not smoke while refuelling the vehicle.
- Fuel expands as it becomes warmer. Do not fill the tank right up to the top. Leave a gap of at least 1 cm under the bottom edge of the filler neck.
- Wipe up any fuel they may have been spilt and ensure that the cap is replaced firmly on the tank.

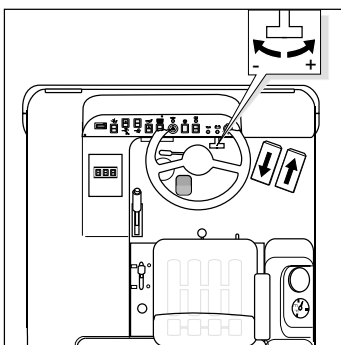
Opening the fuel tap

- Open up the bonnet and make sure it locks in position.
- Open the fuel tap. OPEN = Knob turned so that it is parallel to fuel pipe
- Close the bonnet.

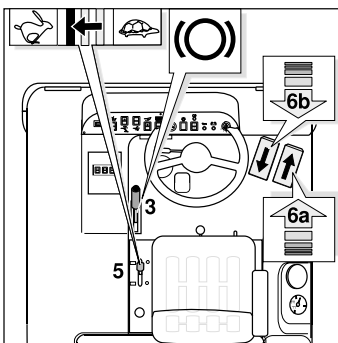
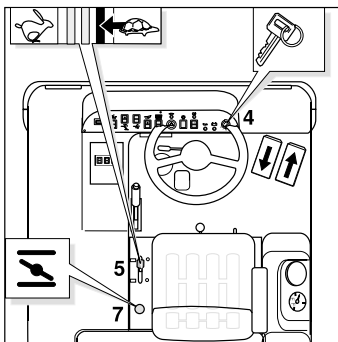
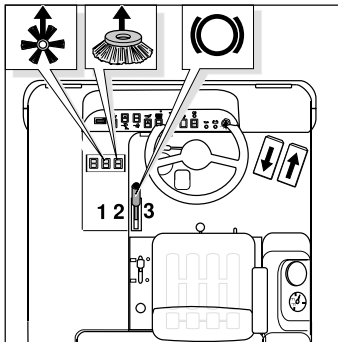


Adjusting r.p.m. of side brush

- A clockwise turn reduces the r.p.m. of the side brush.
- A counterclockwise turn increases the r.p.m. of the side brush.



Starting the sweeper



Driving the sweeper for the first time

Select a location with plenty of space to drive the sweeper initially, until you become familiar with the individual operating controls and their functions. All directions given (left/right, front/rear) are as seen from the driver's seat.

- Sit down on the driver's seat.
 - The engine cannot be started unless the driver is sitting on the seat (seat contact switch).
 - As soon as the driver gets up from the seat, the engine cuts out (safety shutdown).
- Raise the brush roller 1.
 - Press button
- Raise the side brush 2.
 - Press button
- Apply the parking brake 3.
- If engine is cold
 - pull cold-start lever 7 (choke).
- Set throttle lever 5 to approx. 1/3 max. speed.
- Start engine
 - turn ignition key 4 clockwise until engine starts.
- When engine is running smoothly, push cold-start lever 7 back in.

Setting off

Note:

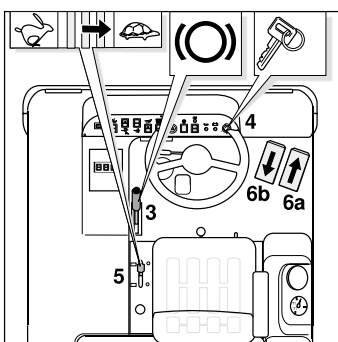
If the sweeper has not been used for longer than 2 months, run the engine for a few minutes with the unit in neutral before commencing work.

- Set the throttle lever 5 to operating speed (maximum revs., lever pushed towards the rear.)
- Release the parking brake 3.
 - Press the release button and push the lever downwards.
- Depress drive pedal slowly
 - 6a Machine drives forward
 - 6b Machine reverses

The speed at which the sweeper travels forwards or backwards is infinitely variable and is controlled by applying pressure to the drive pedal. Avoid pressing the drive pedal with a jerky movement, otherwise the hydraulic system could be damaged as a result. Negotiate slopes with engine at full speed but sweeper travelling slowly (drive pedal pressed only ½ way down).

Braking

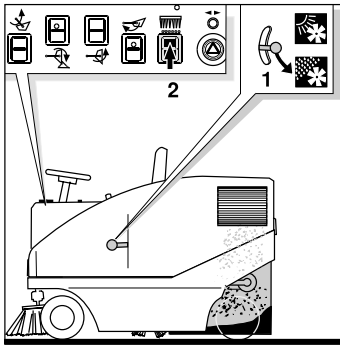
- Lift your foot off the drive pedal 6a/6b and the sweeper brakes automatically.
 - Avoid braking the sweeper abruptly by pressing the pedal against the direction of travel, as this could cause damage to the hydraulic system.



Bringing the sweeper to a halt and stopping the engine

- Lift your foot off the drive pedal 6a/6b. The sweeper brakes automatically and comes to a halt.
- Set the throttle lever 5 to minimum revs. (push lever forwards).
- Apply the parking brake 3.
- It is very important that you raise the brush roller and side brush so that the bristles do not become damaged.
- Stop the engine.
 - Turn the ignition key 4 anticlockwise to position 0 and pull it out.
 - After the engine has been switched off, the filter is automatically cleaned for approx. 10 seconds.

Cleaning the filter



Automatic cleaning

- Stop the sweeper and switch off the engine.
After the engine has been switched off, the filter is automatically cleaned for approx. 10 seconds.

Manual cleaning

During the time that the sweeper is actually operating, the filter should be cleaned approx. every 15–30 minutes (depending on the amount of dust).

- Stop the sweeper.
- Raise the brush roller and side brush.
- Switch off the vacuum unit 1.
- Push the button 2 on the dashboard for approx. 10 seconds.
- Switch the vacuum unit on again.

After the filter has been cleaned, you can empty the waste container.

Emptying the waste container



Some important points in advance

Injury hazard!

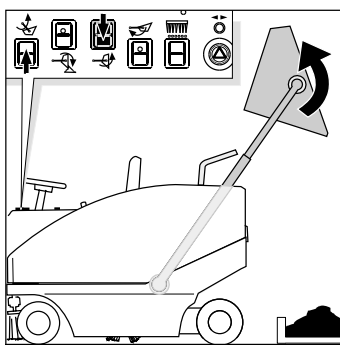
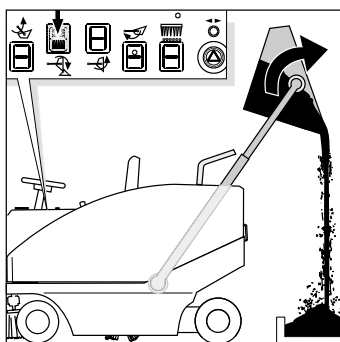
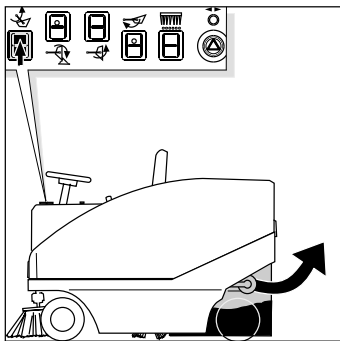
Make sure that there are no persons or animals standing at the back of the sweeper, in the immediate vicinity of the waste container, while it is being emptied.

Danger of hands become trapped!

Keep hands well away from all parts of the emptying mechanism.

Danger of toppling over!

If the sweeper is standing on a slope with an incline greater than 5%, it could topple over while it is being emptied.
Do not empty the waste container while the sweeper is standing on a slope unless the incline is less than 5%, as seen in the direction of travel.



- Stop the sweeper.
- Raise the brush roller.
(The waste container cannot be emptied while the brush roller is lowered.)
- Swivel the waste container upwards.

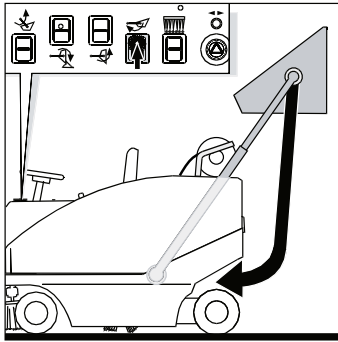
When the waste container has reached the required height:

- Tip out the contents.

Note:

The waste container must have been raised to a certain height before it can be tipped. It is ready for tipping when the green indicator light in the button on the dashboard is illuminated.

- Tip the waste container back inwards.



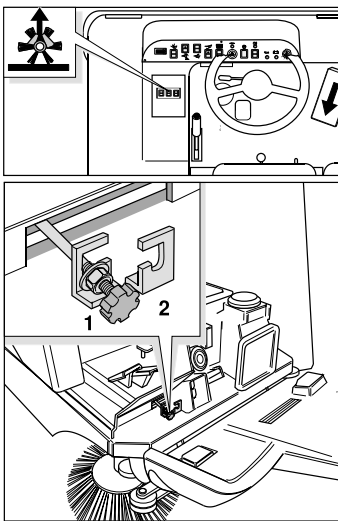
- Swivel the waste container downwards.

Note:

The waste container cannot be fully retracted until it has been tipped all the way back into its original position.

**Caution while sweeping!**

Do not sweep up any packing bands, wire or similar objects, as these could cause damage to the sweeping mechanism.

Typical applications**Sweeping Dry Floors**

Two different main brush settings are possible:

- Stationary main brush – sweeping pattern is rigidly fixed, see “Setting Sweeping Pattern” (in chapter on maintenance),
- Floating main brush – with its deadweight the main brush rests on the floor and adapts to floor irregularities

Resetting to “Floating Main Brush”

- Raise main brush
- Open and stay cover
- Reset adjusting screw from position 2 into position 1

For slight and normal dirt accumulation:

- For large-floor cleaning – Lower main brush 1
 - Press button
 - To switch on dust pick-up – Move up lever 2
- Additionally
- For cleaning up to edge – Lower side brush 3
 - Press button

Note:

The side brush only works when the main brush roller has been lowered.

At regular intervals:

- Clean the filter (see earlier description).
- Empty the waste container (see earlier description).

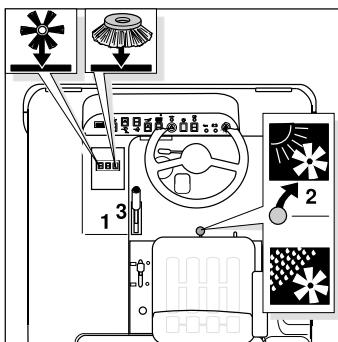
Notes:

In order to achieve the best cleaning results, the maximum travelling speed is automatically reduced from 15 km/h to 8 km/h when the brush roller is lowered.

If you are sweeping up very fine dust particles, use the side brush as little as possible. Even more dust will be created otherwise, as the vacuum unit is not effective round the side brush.

If the side brush hits an obstacle, it automatically retracts into the side of the sweeper.

During the time that the sweeper is operating, the filter should be cleaned approx. every 15–30 minutes (depending on the amount of dust).

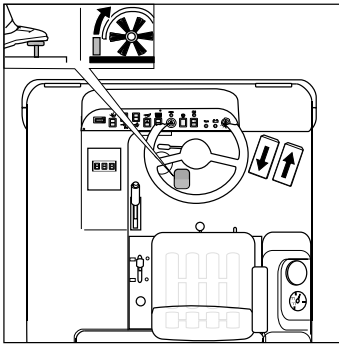
**Sweeping a damp or wet floor surface**

Follow the same basic procedure as for sweeping dry surfaces. To protect the filter from moisture:

- Switch off the vacuum unit.
 - Push the lever downwards.

At regular intervals:

- Empty the waste container (see earlier description).



Picking up large items (sticks, cans, etc.)

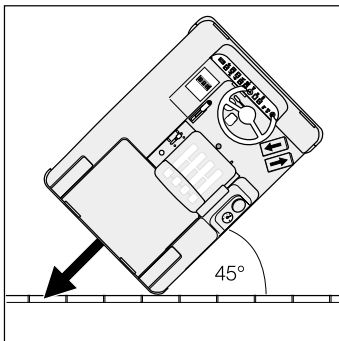
Caution!

When the bulk waste flap is open, the brush roller can throw out stones or grit towards the front of the sweeper. Make sure when you open the flap that no person, animal or equipment will be endangered.

- Press the pedal and the bulk waste flap will open.
- Drive over the large items at slow speed with the bulk waste flap open.

Note:

In order to prevent dust being created unnecessarily, close the bulk waste flap again as soon as possible.



Overcoming obstacles

Obstacles up to 5 cm in height

- You can drive over these without any problems. Open the bulk waste flap beforehand.

Obstacles up to a maximum of 10 cm in height (e.g. kerbs)

- You can slowly drive backwards over these at an angle of 45°. Raise the brush roller and open the bulk waste flap beforehand.

Obstacles more than 10 cm in height

- You can only drive over these by using a suitable ramp.

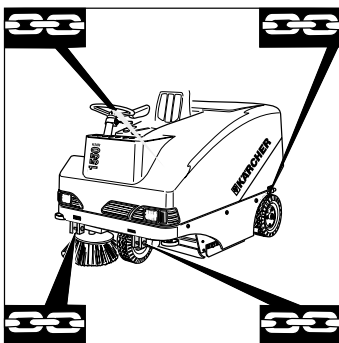
Long-term storage

If you do not intend to use the sweeper for a longer period of time (e.g. during the winter months), proceed as follows:

- Drain the fuel tank.
- Close the fuel tap.
- Make sure the side brush and main brush roller are raised in order to avoid damage to the bristles.
- Clean the inside and outside of the sweeper.
- Change the engine oil (see chapter on "Maintenance").
- Park the sweeper where it is protected from the elements and secure it against rolling away.
- Pull out the ignition key.
- Charge the battery with a suitable charging device at intervals of approx. 2 months (see chapter on "Maintenance").

Transporting the sweeper

If the sweeper is going to be transported on the back of a vehicle, it must be properly secured so that it cannot move unintentionally.



- Apply the parking brake.
- Secure the sweeper in the manner shown in the illustration only, using
 - web belts
 - or
 - ropes
 - or
 - chains.

Cleaning and care

Before you carry out any cleaning or general maintenance tasks,

- Park the sweeper and switch off the engine.

Cleaning the inside of the sweeper:

You can clean out the inner parts of the sweeper by blowing them through with compressed air.

Cleaning the outside of the sweeper:

The outside of the sweeper can be wiped off with a damp cloth. Do not use any aggressive cleaning agents which might cause damage to the plastic components.

Maintenance

First engine oil change



Caution!

When an engine is new, it is subject to increased abrasion. In order that the engine does not suffer any damage, we recommend that you change the engine oil and the oil filter after the first 8 operating hours.

Initial inspection after 8 operating hours



Caution!

In order to ensure that your sweeper functions safely and reliably, it should undergo an initial inspection after approx. 8 operating hours. The inspection should be carried out by an authorised service agent.

- Inspect all Bowden cables and adjust them if necessary.
- Replace the hydraulic fluid filter.
- Change the engine oil.
- Check that no hydraulic components are leaking and that they all function correctly.
- Check that the handbrake functions correctly.
- Check the tyre pressure (specified value: 8 bar)

Daily maintenance

- Check the engine oil level.
- Check the hydraulic fluid level and top up if required.
- Check the tyre pressure (specified value: 8 bar).
- Inspect the brush roller for string, rope, etc. which may have been caught up and remove it if necessary.
- Inspect the dust filter and if it is very dirty, shake it clean.
- Empty the dirt container.

Maintenance intervals

Keep to the service intervals set out in the maintenance booklet so that your sweeper functions reliably and you retain the full benefit of the warranty. The maintenance booklet 5.950-047 can be found in the tool compartment on the sweeper (under the bonnet).

The necessary maintenance tasks should be carried out by an authorised service agent.

Safety information applicable to maintenance tasks



Caution!

Before you begin any maintenance tasks, please read the enclosed leaflet **Safety Information No. 5.956-250**.



Caution! Make sure engine cannot be started unintentionally.

In order to prevent the engine from being started unintentionally, proceed as follows after you have parked the sweeper.

- Pull out the ignition key.
- Disconnect the battery at the negative terminal.

The necessary maintenance tasks or daily inspections can be carried out with the bonnet raised or the seat tipped forward.



Injury hazard!

Do not open the bonnet until the motor has been switched off.



Burns hazard!

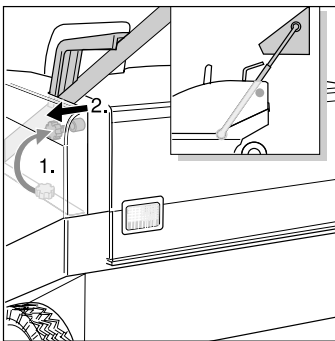
Take care not to touch the exhaust when you open the bonnet.



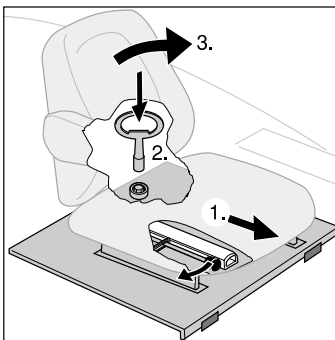
Injury hazard!

If you need to work under the waste container while it is in the raised position, you must first of all secure the container to prevent it from dropping down unintentionally:

- Secure the waste container at both sides.
 - Undo the hand screw in the side cover.
 - Insert the hand screw into the locking bolt and pull it out.
- Release the bolt before using the sweeper again.
 - Push the bolt inwards as far as it will go.
 - Undo the hand screw and replace it in the side cover.

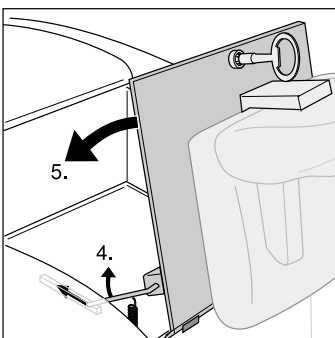


Maintenance tasks

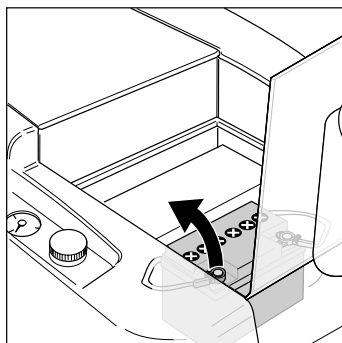


Tilting the seat forwards/backwards

- Pull the lever and slide the seat forwards.
- Undo the catch with the square spanner (with ignition key).
- Tip the seat forwards until it locks in position.

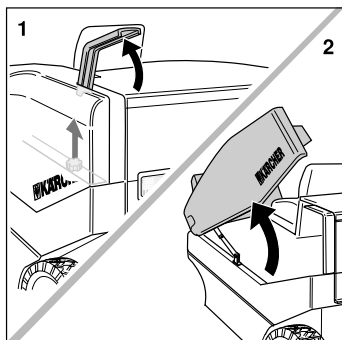


- To close the compartment, release the mechanism holding the seat in the raised position and fold the seat down.



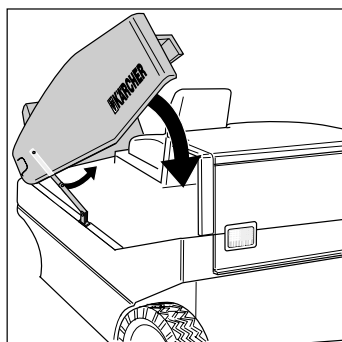
Disconnecting the battery

- Slide the seat forwards and tilt it towards the front.
- Use an open-jawed spanner (size 10 mm) to first of all loosen the clamp on the negative terminal (-) and then pull it off. Repeat the procedure for the positive terminal (+).
- Reconnect the battery by first of all attaching the clamp on the positive terminal (+) and then the clamp on the negative terminal (-).

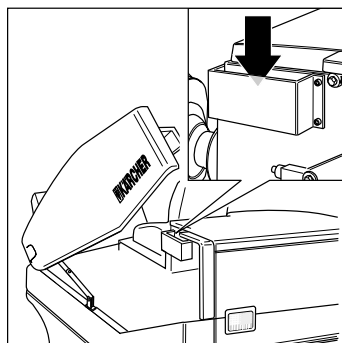


Opening/closing the bonnet

- Pull the section of panelling upwards and unscrew the knob on the inside of the bonnet.
- Raise the bonnet towards the front until it automatically locks in position.

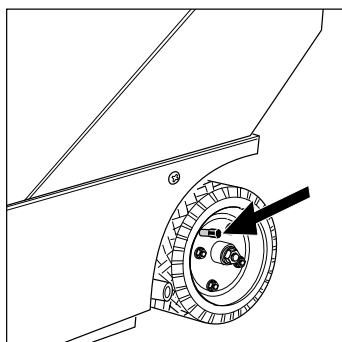


- Lift the rod up slightly and close the bonnet.
- Screw the knurled knob back into the inside of the bonnet.



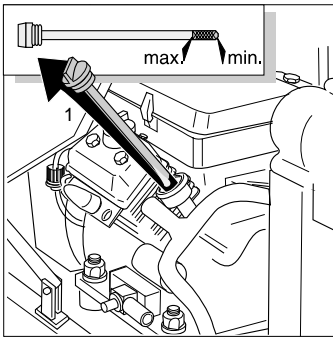
Tool compartment and sweeper tool kit

- There is a tool compartment under the bonnet. This compartment contains the tools required to carry out routine maintenance tasks.



Checking tyre pressure

- Park the sweeper on a level surface.
- Check the tyre pressure and make any necessary corrections.
Air pressure for front and rear wheels = 8 bar.

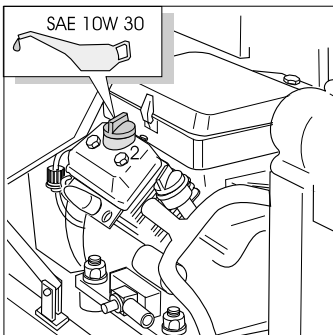


Checking the engine oil level



Caution, Risk of burns from hot exhaust pipe!

- Park the sweeper on a level surface.
- Unscrew the dipstick.
- Wipe the dipstick clean and screw it back in.
- Unscrew the dipstick once again.
The oil level should be between the "Min" and the "Max" marks.
If the oil level is below "Min" – top up with engine oil.
If the oil level is above "Max" – drain off excess engine oil.
- Screw the dipstick back in again.



Topping up with engine oil

- Pour engine oil into the engine through the filler hole in the cylinder head.
Engine oil SAE 30 or SAE10W-30.
The engine oil must correspond to the following classification:
SF, SE, SD or SC and should be a primary raffinate.
The engine oil should contain no additives.
If the outside temperature is below -5°C , 5W-30 or 5W-20 can also be used.

Replacing the engine oil

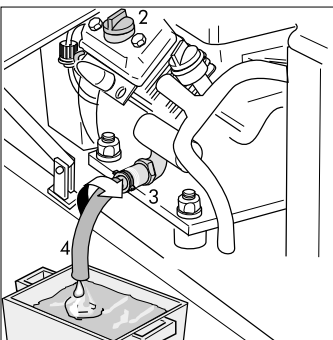


Caution, Environmental hazard caused by engine oil!

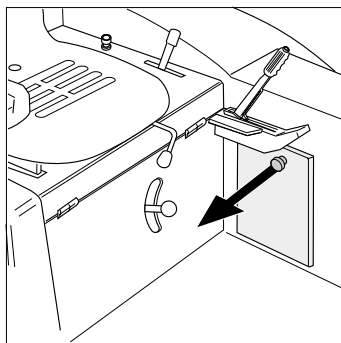
Deposit the waste oil resulting from an oil change at a waste oil collection point or take it to a waste disposal company.



Caution, Danger of burns from hot exhaust pipe or scalding by hot engine oil!

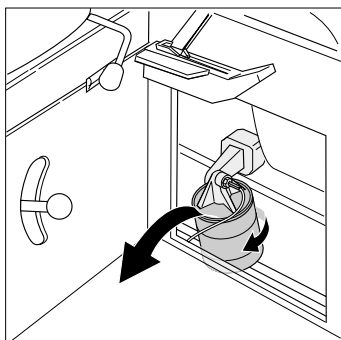


- Run the engine until it reaches operating temperature.
- Park the sweeper on a level surface.
- Open the bonnet.
- Place a suitable receptacle under the sweeper to collect the waste oil.
- Unscrew valve and drain out oil through a hose.
- Pour fresh engine oil into the filler hole.
Capacity: 1.65 litres
- Make sure that the oil filler hole is properly sealed.
- Wipe off any oil that may have been spilt and dispose of the waste oil properly.

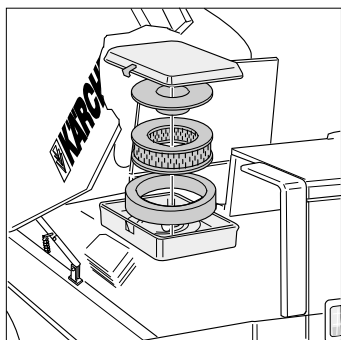


Replacing the engine oil filter

- Drain off the engine oil.
- Open the service flap
 - Unscrew knob and lift off service flap.
- Unscrew the engine oil filter.
- Rub engine oil into the seal on the new oil filter.
- Attach the new engine oil filter by hand and screw it down until the seal just touches the casing.
- Tighten the engine oil filter by giving it another half turn.
- Pour in new engine oil and check the level.
- Start the engine and check that there are no leaks.

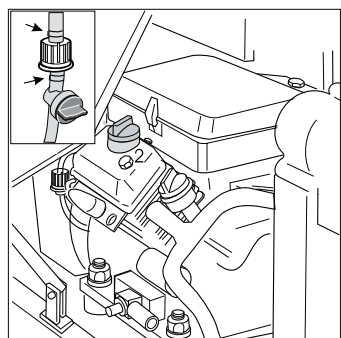


Cleaning the air filter

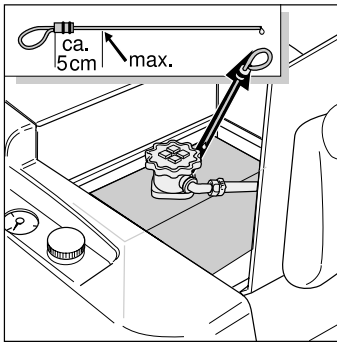


- Remove the cover on the air filter.
- Take out the filter cartridge.
- Separate the paper and plastic inserts.
- Renew the paper insert (this insert cannot be cleaned).
- Clean the plastic insert
 - Wash the plastic insert in soapy water (e.g. water with a little washing up liquid added) and rinse it thoroughly in clean water.
 - Allow the insert to dry and then spray it lightly with engine oil.
 - Squeeze out any excess oil.
- Refit all parts of the filter and secure the cover in place.

Replacing the fuel filter



- Close the fuel tap.
- Undo both hose clamps on the fuel filter.
- Pull hoses off the filter.
- Fit new filter by reversing procedure above.



Checking the hydraulic fluid level

- Park the sweeper on a level surface.
- Clean the area surrounding the dipstick.
- Pull out the dipstick.
- Wipe the dipstick clean and re-insert it.
- Pull out the dipstick once again and read off the oil level.
The fluid should be level with the rough section on the dipstick. If the fluid level is too low, this is a sign that there is a leak in the hydraulic system. Do not start the sweeper. Call Customer Service.
- Insert the dipstick.

Safety information

which must be observed when handling batteries.



Comply with the user instructions and ensure that these are displayed at the charging station. Before the operator carries out any work on batteries, he/she must have received proper instruction from a suitably qualified person.



Wear safety goggles and protective clothing when working on batteries. Observe accident prevention regulations, as well as DIN VDE 0510, VDE 0105 Part 1.



Smoking is forbidden!

Make sure that there are no naked flames, other source of heat or sparks in the proximity of the battery, otherwise there is a danger of explosion or fire.



If electrolyte comes into contact with skin or eyes, rinse the affected area with plenty of clean water. The metal parts of battery cells are permanently live. Therefore do not place any tools or other objects on top of the battery.

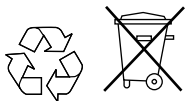


Explosion and fire hazard! Avoid short-circuits.

Warning! The metal parts of battery cells are permanently live. Therefore do not place any tools or other objects on top of the battery.



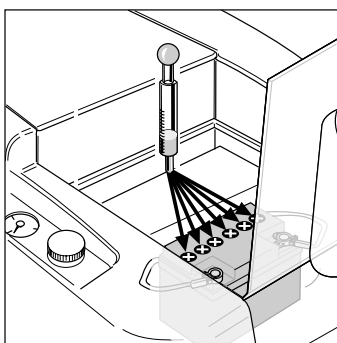
Electrolyte is highly corrosive. Under normal operating conditions it is not possible for anything to come into contact with the electrolyte. If the battery housing is destroyed, the bound electrolyte that leaks out is just as corrosive as liquid electrolyte.



Pb

Return to manufacturer!

Exhausted batteries bearing this symbol are a re-usable resource which should be recycled accordingly. Exhausted batteries that are not intended to be recycled must be disposed of as hazardous waste in compliance with all relevant regulations.



Checking the electrolyte in the battery

Check the acid concentration in electrolyte-filled batteries at regular intervals. Make sure the battery is fully charged before it is tested.

If required:

- Top up with distilled water until the level of fluid is approx. 1 cm above the lead plates.

Charging the battery

Note:

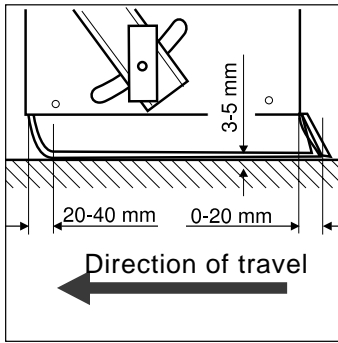
Only use a regulated charger that is suitable for use with starter batteries and is capable of delivering a charging current of 4–6 A.

- Stop the sweeper and remove the ignition key.
- Tilt the seat forwards.
- Connect the positive terminal (red clamp) to the charger.
- Connect the negative terminal (black clamp) to the charger.
- Connect the charger to the mains and switch it on. The charging time is specified by the manufacturer of the charger.

Replacing sealing strips

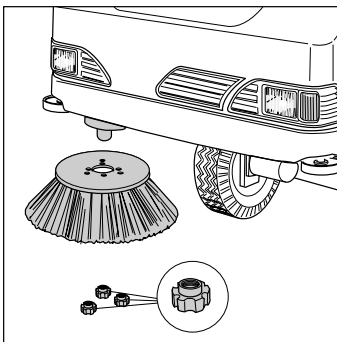
The sealing strips fulfil an important function. They maintain the partial vacuum in the area surrounding the brushes that is necessary for the sweeper to perform properly. In so doing, they ensure that no dust is expelled while the machine is sweeping.

Damaged or worn out sealing strips should be replaced immediately.



- Stop the sweeper and turn off the engine.
- Remove the hex screws and pull off the sealing strips.
- Insert new sealing strips and align them as follows.
Adjust the side strips so that they clear the ground by 3–5 mm.
Adjust the strip at the front so that when the sweeper is travelling forwards, it bends backwards by 20–40 mm and the strip at the rear so that it bends backwards by 0–20 mm.
- Tighten the hex screws.

Replacing the side brush



- Stop the sweeper and turn off the engine.
- Raise the side brush.
- Undo the three nuts by hand.
- Remove the side brush.
- Attach the new side brush.
- Screw on the three nuts by hand and tighten securely.

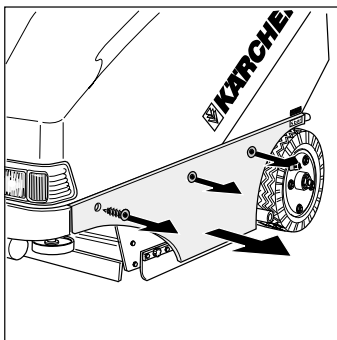
Replacing the brush roller

- Stop the sweeper and turn off the engine.

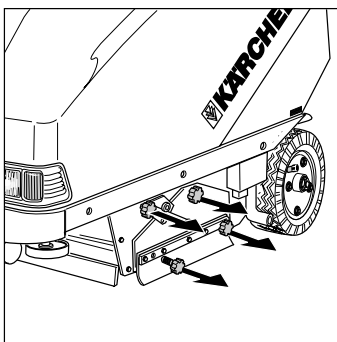


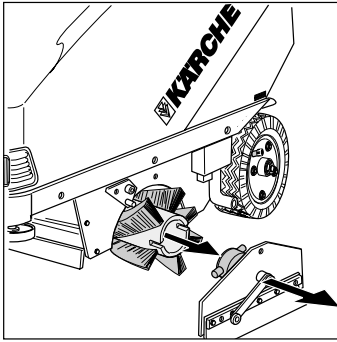
Burns hazard!
Take care not to touch the hot exhaust.

- Remove the 3 screws (Torx) and lift off the side cover.

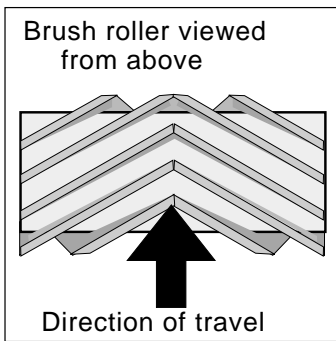


- Remove the hand screws in the oscillating linkage.





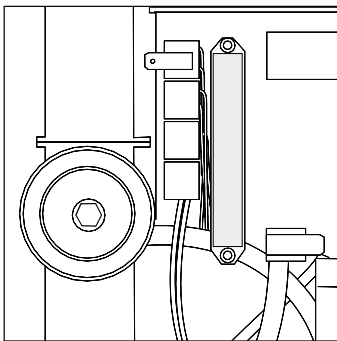
- Remove the next three hand screws and lift off the roller cover.
- Pull out the brush roller at the side.



Note: Raise the brush roller unit before inserting a new roller.

- Insert a new brush roller, paying attention to correct alignment (see illustration). The projections on the driver must slot into the recesses in the brush roller.
- Continue with assembly in reverse order of removal.

Replacing fuses

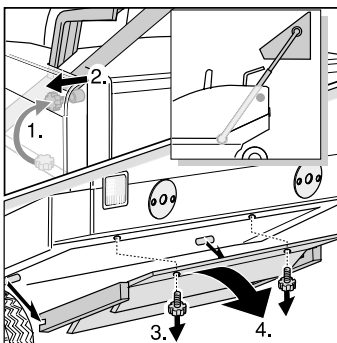


- Stop the sweeper and switch off the engine.
- Open the bonnet.
- Remove the cover.
- Replace any blown fuse with one with the same rating. There are spare fuses in the fuse box.

Note:

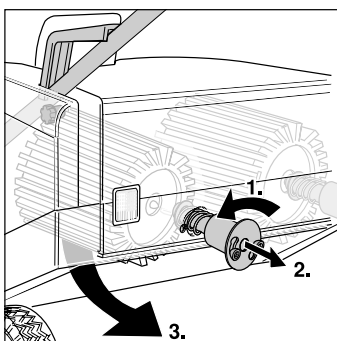
If the same fuse blows several times, this is a sign that there is a fault in the electric circuitry. Locate and repair the fault (see section on Troubleshooting).

Replacing the dust filter

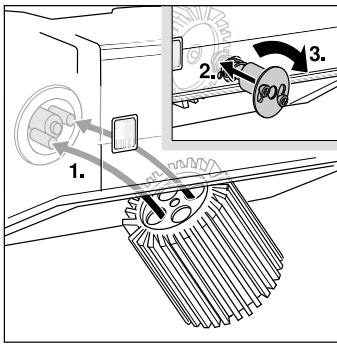


Dust filters should be inspected for signs of damage every 50 operating hours. A damaged filter allows dust to be blown into the engine compartment and surrounding area. A significant build-up of dust at the air exit from the fan is an indication that the filter is not properly seated or is defective.

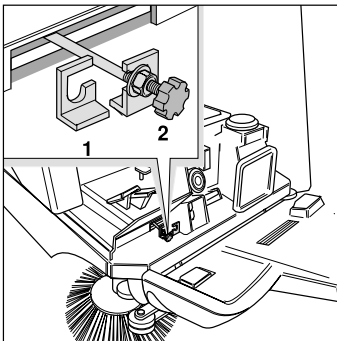
- Raise the waste container to its max. height.
- Secure the waste container at both sides.
 - Undo the screw in the side cover.
 - Insert the hand screw into the locking bolt and pull it out.
- Remove the two hand screws in the preliminary filter and lift out the filter from below.



- Loosen 2 screws on the thrust bearing and turn the thrust bearing anti-clockwise up to the stop (1). Draw out the thrust bearing towards the rear (2).
- Draw the filter element towards the rear and take it out to the rear (3).



- Centre the new filter on the driver (1). Push in the thrust bearing (2). Turn the thrust bearing clockwise until the stop and fasten with the screws (3).
- Insert the preliminary filter and secure it with the two hand screws.



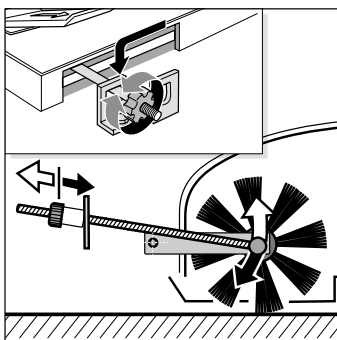
Setting the Sweeping Pattern

Note:

The main brush can be reset to:

- Floating 1: With its deadweight the main brush rests on the floor.
 - Stationary 2: The sweeping pattern is adjustable at the main brush.
- In order to adjust the sweeping pattern reset the main brush to "Stationary".

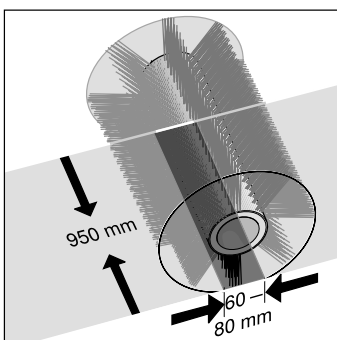
- Open and stay cover
- Reset main brush to "Stationary 2"
- The sweeping pattern can be altered by turning the adjusting screw.
 - To increase coverage – turn screw outwards
 - or
 - To reduce coverage – turn screw inwards
- Close the bonnet.



Check the sweeping pattern after making any adjustments.

- Drive the sweeper onto a dusty surface.
- Lower the brush roller and let it sweep for several seconds.
- Raise the brush roller and drive the sweeper backwards a short distance with the bulk waste flap opened.

- The width of the contact area should be 60 - 80 mm.



Note:

If the sweeping pattern is irregular in shape, arrange for Customer Service to make the necessary corrections.

Troubleshooting

Problem	Possible cause	Remedy
Engine does not start	Battery is flat	Recharge or replace battery
	No fuel in tank	Refill tank and bleed fuel system
	Fuel tap is closed	Open fuel tap
Sweeper does not move	Free-wheel arm on hydraulic pump (bypass valve) is in open position	Close valve by turning arm through 90°
Brushes do not rotate	Switch on brush roller lever is stuck	Call Customer Service
	Brush roller or side brush have been jammed by bands, string, wire, etc.	Remove obstruction
No vacuuming function	Vacuum unit is switched off	Switch on vacuum unit
	Blower is not rotating	Check tension of V-belt
	Filter is clogged up	Clean or replace filter
Poor sweeping results	Brushes are worn out	Replace brushes
	Waste container is full	Empty waste container
	Sweeping pattern is set up incorrectly	Set up sweeping pattern correctly
Dust is blown out during sweeping	Vacuum unit is switched off	Switch on vacuum unit
	Seals on the sweeper are worn down. Filter is not fitted correctly or is defective.	Replace seals. Fit filter correctly or replace it.
Waste container cannot be raised for emptying	Brush roller is still lowered	Switch off brush roller
	Defective switch	Call Customer Service
Sweeper travels forwards/backwards although drive pedal is not pressed	Zero position is not set up correctly	Call Customer Service
Indicator light (red) oil pressure and acoustic signal	Engine oil level is too low	Check engine oil level and top up if required (see Chapter: Maintenance)
	Fault on engine	Call Customer Service

Technical specifications

Dimensions and weights

Length	1.805 mm
Width	1.290 mm
Height	1.410 mm
Unladen weight (ready for operation)	700 kg
(with 2 side brushes)	720 kg
Max. permissible overall weight	1.080 kg

Driving and sweeping performance

Max. travelling speed	16 km/h
Max. climbing ability/gradient	18 %
Effective sweeping width without side brush	950 mm
Effective sweeping width with 1 side brush	1.250 mm
Effective sweeping width with 2 side brushes	1.600 mm

Area rating (theoretical)

without side brush	7.600 m ² /h
with 1 side brush	10.000 m ² /h
with 2 side brushes	12.800 m ² /h

Waste container

Theoretical capacity	175 l
Max. usable capacity	160 l
Lifting height	1.450 mm
Filter surface area	12 m ²

Sweeping unit

Brush roller with V-shaped rows of bristles	
Diameter of brush roller	375 mm
Diameter of side brush	520 mm

Vehicle tyres

	4.00-8 6PR
Air pressure, front	8 bar
Air pressure, rear	8 ba

Engine

Model	Vanguard
Type	4-stroke
Cylinders	2
Capacity	480 cm ³
Output	(at 3600 r.p.m.) 11.8 kW
Fuel (min. 85 octane rating)	regular grade unleaded petrol

Engine oil

(see section "Replacing the engine oil")	1,65 l
--	--------

Battery

12 Volt
32 Ah

Starter

electric

Ignition

electromagnetic

Spark plug

Champion RC 12 YC

Drive system

Variable volume hydraulic pump	0–20 cm ³
Constant volume hydraulic motor	250 cm ³
Hydraulic fluid	
Filling amount	25 l
Class *	DIN HVLP 51524/3 100 c St / 40 °C
* recommended hydraulic fluid: BP BARTRAN HV100.	

Protection class

splashproof

Ambient conditions

temperature	-5 to + 40 °C
air humidity, not wet with dew	0 - 90 %

Operating cycle

Under favourable conditions, the sweeper has an operating cycle of 10 hours with a full fuel tank at the start. The actual time is dependent upon several factors:

- surface structure of the ground and how level it is
- how well the sweeper has been maintained
- type of brush roller and its degree of wear.

Noise emission

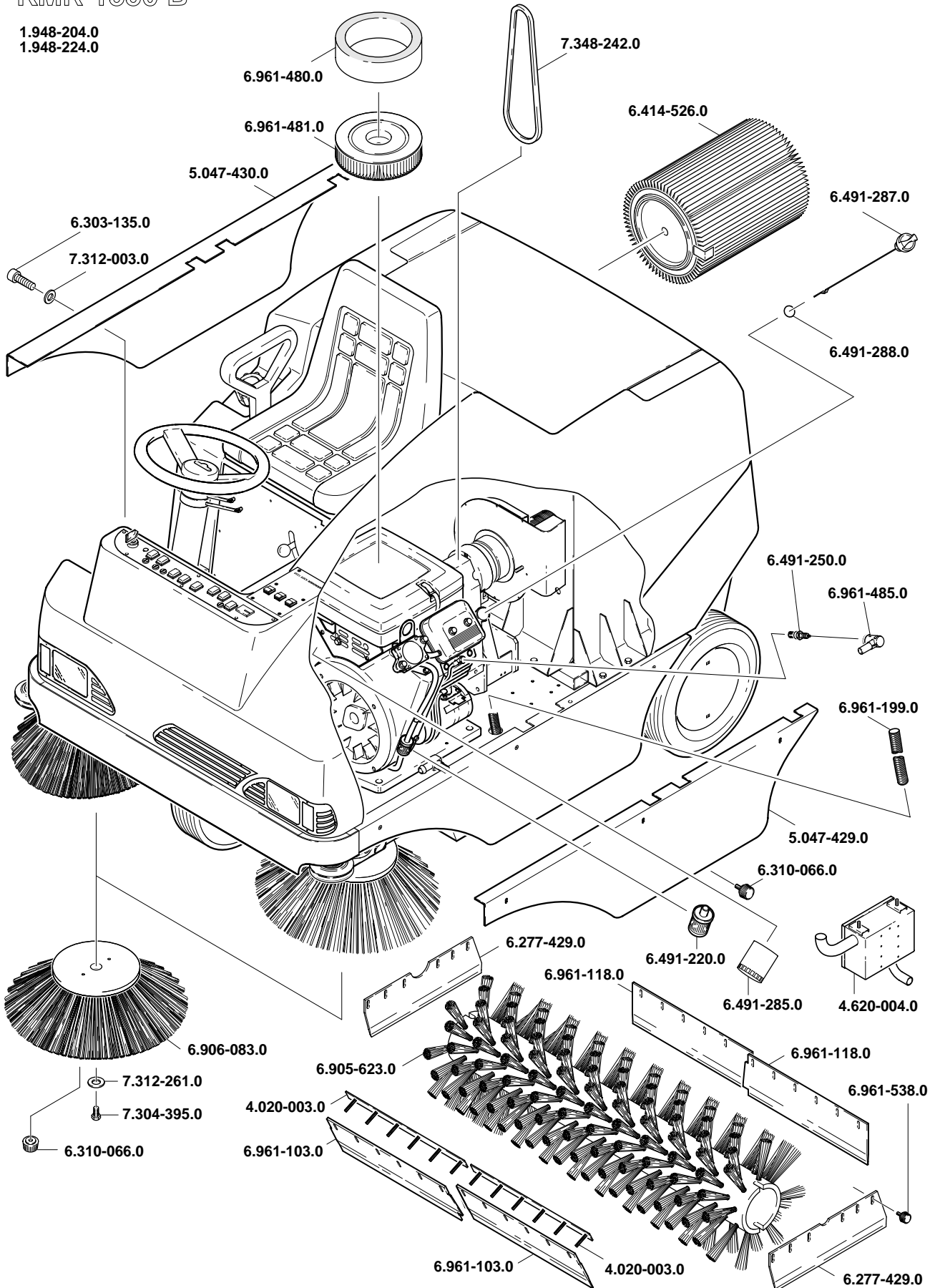
Sound level (EN 60704-1)	79 dB(A)
Guaranteed noise level (2000/14/EC)	103 dB(A)

Machine vibration

Rated vibration value (ISO 5349)	< 2,5 m/s ²
----------------------------------	------------------------

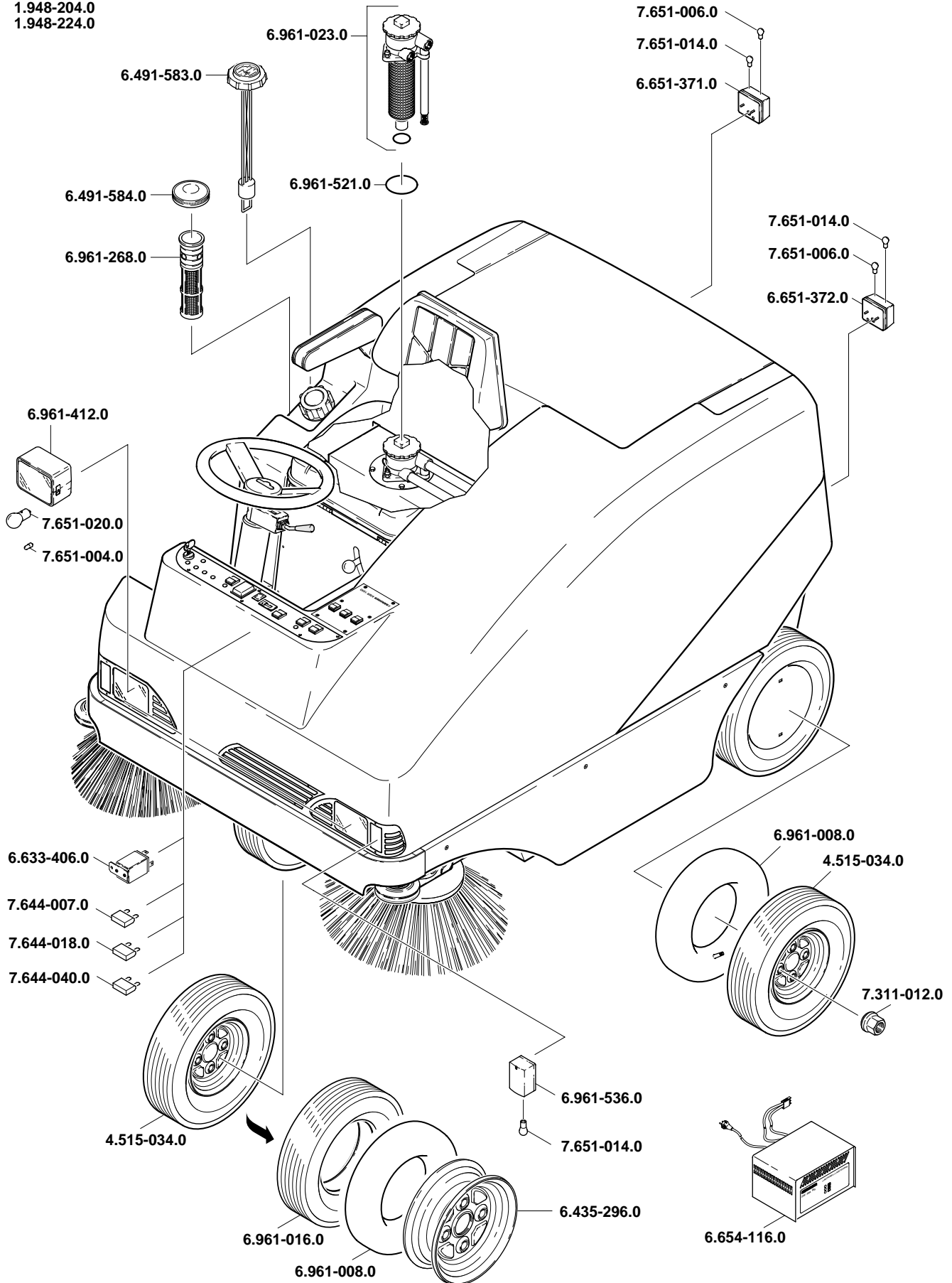
KMR 1550 B

1.948-204.0
1.948-224.0



KMR 1550 B

1.948-204.0
1.948-224.0





EG - KONFORMITÄTSERKLÄRUNG

Hiermit erklären wir, daß die nachfolgend bezeichnete Maschine aufgrund ihrer Konzipierung und Bauart sowie in der von uns in Verkehr gebrachten Ausführung den einschlägigen grundlegenden Sicherheits- und Gesundheitsanforderungen den unten aufgeführten EG-Richtlinien entspricht. Bei einer nicht mit uns abgestimmten Änderung der Maschine verliert diese Erklärung ihre Gültigkeit.

Produkt: Kehrsaugmaschine / Aufsitzmaschine

Typ: 1.948-xxx

Einschlägige EG-Richtlinien

EG-Maschinenrichtlinie (98/37/EG)
EG-Richtlinie Elektromagnetische Verträglichkeit (89/339/EWG)
geändert durch 91/263/EWG, 92/31/EWG, 93/68/EWG
EG-Richtlinie über Geräuschemissionen (2000/14/EU)

Angewandte harmonisierte Normen:
DIN EN 60335-1, DIN EN 60335-2-72, DIN EN 50 082-1:1993

Angewandte nationale Normen:
CISPR 12

Angewandtes Konformitäts- Bewertungsverfahren
Anhang V

Gemessener Schalleistungsspiegel:
101 dB(A)

Garantierter Schalleistungsspiegel:
103 dB(A)

Prüfungssätze des Hauptverbandes der gewerblichen Berufsgenossenschaft, Kehrsaugmaschinen
Es ist durch interne Maßnahmen sichergestellt, daß die Seriergeräte immer den Anforderungen der aktuellen EG-Richtlinien und den angewandten Normen entsprechen.
Die Unterzeichnenden handeln im Auftrag und mit Vollmacht der Geschäftsführung.



EU DECLARATION OF CONFORMITY

We hereby declare that the equipment described below conforms to the relevant fundamental safety and health requirements of the appropriate EU Directives, both in its basic design and construction as well as in the version marketed by us.
This declaration will cease to be valid if any modifications are made to the machine without our express approval.

Product: Sweeper / Ride-on unit

Model: 1.948-xxx

Relevant EU Directives:

EU Machinery Directive (98/37/EG)
EU Directive on Electromagnetic Compatibility (89/339/EWG)
amended by 91/263/EWG, 92/31/EWG, 93/68/EWG
EU guideline on noise emissions (2000/14/EU)

Harmonised standards applied:
DIN EN 60335-1, DIN EN 60335-2-72, DIN EN 50 082-1:1993

Relevant EU Directives:
CISPR 12

Applied conformity valuation method
Appendix V

Measured noise level:
101 dB(A)

Guaranteed noise level:
103 dB(A)

Appropriate internal measures have been taken to ensure that series-production units conform at all times to the requirements of current EU Directives and relevant standards.
The signatories are empowered to represent and act on behalf of the company management.



DÉCLARATION DE CONFORMITÉ EUROPÉENNE

Par la présente, nous déclarons que la machine ci-après répond, de par sa conception et sa construction ainsi que de par le modèle que nous avons mis sur le marché, aux exigences de sécurité et d'hygiène en vigueur de la directive européenne.
En cas de modification de la machine effectuée sans notre accord, cette déclaration sera caduquée.

Produit: Balayeuse / machine autoporteuse

Type: 1.948-xxx

Directives européennes en vigueur:

Directive européenne sur les machines (98/37/EG)
Directive européenne sur la compatibilité électromagnétique (89/339/EWG) modifiée par 91/263/EWG, 92/31/EWG, 93/68/EWG
Directive CE relative aux émissions sonores (2000/14/UE)

Normes harmonisées appliquées:
DIN EN 60335-1, DIN EN 60335-2-72, DIN EN 50 082-1:1993

Normes nationales appliquées:
CISPR 12

Procédure d'analyse de conformité utilisée
Annexe V

Niveau de puissance sonore mesuré:
101 dB(A)

Niveau de puissance sonore garanti:
103 dB(A)

La conformité permanente des appareils de série avec les exigences consignées dans les directives actuelles de la CE et avec les normes appliquées est garantie par des mesures internes.
Les soussignés agissent par ordre et avec les pleins pouvoirs de la Direction commerciale.



DICHIARAZIONE DI CONFORMITÀ CE

Dichiariamo con la presente, che la macchina qui di seguito indicata, in base alla sua concezione e al tipo di costruzione, e nella versione da noi introdotta sul mercato, è conforme ai relativi requisiti fondamentali di sicurezza e di sanità delle direttive della CE.
In caso di modifica apportate alla macchina senza il nostro accordo, questa dichiarazione perde la sua validità.

Prodotto: Spazzatrice / macchina applicata

Tipo: 1.948-xxx

Directive CE pertinenti:

Directive macchine (98/37/EG)
modificata dalle 91/263/EWG, 92/31/EWG, 93/68/EWG
Directive CE sulle emissioni acustiche (2000/14/UE)

Norme armonizzate applicate:
DIN EN 60335-1, DIN EN 60335-2-72, DIN EN 50 082-1:1993

Norme nazionali applicate:
CISPR 12

Metodo di valutazione conformità utilizzato
Allegato V

Livello potenza sonora misurato:
101 dB(A)

Livello potenza sonora garantito:
103 dB(A)

Mediante accorgimenti interni, è stato assicurato che gli apparecchi di serie siano sempre conformi ai requisiti delle attuali direttive CE e alle norme applicate.
I firmatari agiscono su incarico e con i poteri dell'Amministrazione.



EU-CONFORMITEITSVERKLARING

Hiermee verklaren wij dat de hierna vermelde machine op grond van haar condingering en constructie en in de door ons in omloop gebrachte uitvoering beantwoordt aan de desbetreffende veiligheids- en gezondheidsvoorschriften van de EG-richtlijnen.

Na een wijziging aan de machine die niet in overleg met ons wordt uitgevoerd, verliest deze verklaring haar geld.

Product: **veegmachine / machine met stoel**

Type: **1.948-xxx**

Desbetreffende EG-richtlijn:

EG-machinerichtlijn (98/37/EG)
EG-richtlijn elektromagnetische verenigbaarheid (89/336/EEG) gewijzigd door 91/263/EEG, 92/31/EEG, 93/68/EEG
EG-richtlijn t.a.v. geluidsemissies (2000/14/EU)

Toegepaste geharmoniseerde normen:

DIN EN 60335-1, DIN EN 60335-2-72, DIN EN 50 082-1:1993

Toegepaste nationale normen:

CISPR 12

Toegepaste conformiteits-beoordelingsprocedure

Billeg V

Gemeten geluidsniveau:

101 dB(A)

Garandeerd geluidsniveau:

103 dB(A)

Door interne maatregelen is er voor gezorgd dat de standaard-apparaten altijd beantwoorden aan de eisen van de actuele richtlijnen en de toegepaste normen.

De ondergetekenden handelen in opdracht en op volmacht van de bedrijfsleiding.



DECLARACIÓN DE CONFORMIDAD DE LA UNIÓN EUROPEA

Por la presente declaramos los abajo firmantes que la máquina designada a continuación cumple, tanto por su concepción y clase de construcción como por la ejecución que hemos puesto en circulación, las normas fundamentales de seguridad y protección de la salud formuladas en las directivas comunitarias correspondientes.

La presente declaración pierde su validez en caso de alteraciones en la máquina efectuadas sin nuestro consentimiento explícito.

Producto: **Barredora de suelos**

Modelo: **1.948-xxx**

Directivas comunitarias aplicables:

Directiva comunitaria sobre máquinas (98/37/EG)
Directiva sobre compatibilidad electromagnética (89/336/EEG) modificada mediante 91/263/EEG, 92/31/EEG, 93/68/EEG
Normativa UE sobre emisiones de ruidos (2000/14/EU)

Normas armonizadas aplicadas:

DIN EN 60335-1, DIN EN 60335-2-72, DIN EN 50 082-1:1993

Normas nacionales aplicadas:

CISPR 12

Proceso de valoración de conformidad utilizado

Anexo V

Nivel de potencia acústica medido:

101 dB(A)

Nivel de potencia acústica garantizado:

103 dB(A)

Mediante una serie de medidas internas, queda asegurado que los aparatos y equipos de serie cumplen siempre las exigencias formuladas en las directivas comunitarias actuales y en las normas correspondientes a aplicar.

Los firmantes actúan autorizados y con poder otorgado por la dirección de la empresa



Δηλώση πιστότητας εκ

Επιβεβαιώνουμε με την παρούσα, ότι το μηχανήμα που χαρακτηρίζεται παρακάτω, λόγω του σχεδιασμού και του τρόπου κατασκευής, όπως και λόγω της παραλλαγής που διατίθεται από μας στην αγορά, ανταποκρίνεται στις σχετικές βασικές απαιτήσεις ασφαλείας και υγείας των Οδηγιών ΕΚ. Σε περίπτωση αλλαγών στο μηχανήμα χωρίς προηγούμενη συνεννόηση μαζί μας, παύει η παρούσα δήλωση.

Προϊόν: Μηχανική σκούρα/Μηχανή καθαρισμού με θέση για τον οδηγό

Τύπος: 1.948-xxx

Σχετικές Οδηγίες ΕΚ:

Οδηγία ΕΚ σχετικά με τις μηχανές (98/37/ΕΓ)
Οδηγία ΕΚ περί ηλεκτρομαγνητικής συμβατότητας (89/336/ΕΥ(Γ)) που τροποποιήθηκε με την Οδηγία 91/263/ΕΥ(Γ), 92/31/ΕΥ(Γ), 93/68/ΕΥ(Γ)
Οδηγία ΕΚ περί Εκπομπής Θορύβου (2000/14/ΕΕ)

Εναρμονισμένα πρότυπα που έχουν εφαρμοσθεί:

DIN EN 60335-1, DIN EN 60335-2-72, DIN EN 50 082-1:1993

Εθνικά πρότυπα που έχουν εφαρμοσθεί:

CISPR 12

Εφαρμοσθείσα μέθοδος αξιολόγησης συμμόρφωσης

Παραρτήμα V

Μετρήσεις σταθμής ακουστικής πίεσης:

101 dB(A)

Διασφαλισμένη στάθμη ακουστικής πίεσης:

103 dB(A)

Με ληφθέντα εσωτερικά μέτρα έχει εξασφαλισθεί, ότι οι συσκευές σειράς κατασκευής ανταποκρίνονται πάντα στις απαιτήσεις των επικείμενων οδηγιών ΕΚ και στα εφαρμοσθέντα πρότυπα. Οι υπογραφόντες ενεργούν με εντολή και κατόπιν εξουσιοδότησης της Γενικής Διεύθυνσης.



EU-KONFORMITÄTSERKLÄRUNG

Vi erklærer herved at maskinen som er beskrevet nedenfor, i konstruktion og udførelse tilsvare markedstørste modell og er i overensstemmelse med de gjeldende og grunnleggende sikkerhets- og helsekrav i EU-direktivet.

Denne erklæring mister sin gyldighet dersom maskinen endres uten etter avtale med oss.

Produkt: **Følemaskin / Ridler**

Type: **1.948-xxx**

Gjeldende EU-direktiv:

EU-direktiv for maskner (98/37/EG)
EU-direktiv for elektromagnetisk toleranse (89/336/EEG) endret ved 91/263/EEG, 92/31/EEG, 93/68/EEG
EU-direktiv om støye emisjoner (2000/14/EU)

Anvendte overensstemmende normer:

DIN EN 60335-1, DIN EN 60335-2-72, DIN EN 50 082-1:1993

Anvendte nasjonale normer:

CISPR 12

Anvendt metode for vurdering av samsvar

Tillegg V

Målt lydeffektivnivå:

101 dB(A)

Garantert lydeffektivnivå:

103 dB(A)

Gjennom interne tiltak er det sikret at serproduserte maskiner alltid er i overensstemmelse med kravene i de aktuelle EU-direktiver og anvendte normer.

Undertegnede handler etter oppdrag og med fullmakt fra ledelsen.



FÖRSÄKRAN OM ÖVERENSSTÄMMELSE

Härmed försäkras vi att den enligt nedan angivna maskinen till konstruktion, byggnads sätt och i av oss levererat utförande motsvarar tillämpliga beskrav beträffande säkerhet och hälsa enligt EU-direktiven. Vid ändringar på maskinen som icke avtalats med oss upphör denna försäkran att gälla.

Produkt: Sopmaskin / Sopmaskin

Typ: 1.948-xxx

Tillämpliga EU-direktiv:

EG maskindirektiv (89/37/EG)
EG direktiv för elektrisk säkerhet (89/336/EG)
ändrat genom 91/263/EGW, 92/31/EGW, 93/68/EGW
EG-direktiv över ljudemissioner (2000/14/EU)

Tillämpade harmoniserade normer:

DIN EN 60335-1, DIN EN 60335-2-72, DIN EN 50 082-1:1993

Tillämpade nationella normer:

CISPR 12

Använt förfarande för utvärdering av överensstämmelse

Bilaga V

Uppmätt ljudeffektsnivå:

101 dB(A)

Garanterad ljudeffektsnivå:

103 dB(A)

Vi har genom interna åtgärder säkerställt, att serietillverkade maskiner alltid motsvarar aktuella EU-direktiv och tillämpliga normer.

De undertecknade agerar på uppdrag av och med fullmakt av företagsledningen.



EU-VÅRTIMUSTENMUKAUSUVAKUUTUS

Me vakuutamme, että alla mainittu tuote vastaa suunnittelullaan ja rakenteellaan sekä valmistustavallaan EU-direktiivien asianomaisia turvallisuus- ja terveysvaatimuksia.
Jos koneeseen tehdään muutoksia, joista ei ole sovittu kanssamme, tämä vakuutus ei ole enää voimassa.

Tuote: Lakaiskone / päätä ajettava

Tyyppi: 1.948-xxx

Asianomaiset EU-direktiivit:

EU-kompidirektiivi (89/37/EG)
EU-direktiivi sähkömagneettisesta yhteensopivuudesta (89/336/EG)
muutettu 91/263/EGW, 92/31/EGW, 93/68/EGW
EU-melupäästödirektiivi (2000/14/EU)

Sovelletut harmonisoidut normit:

DIN EN 60335-1, DIN EN 60335-2-72, DIN EN 50 082-1:1993

Sovellettu kansalliset normit:

CISPR 12

Sovellettu vaatimuskäytännön arviointimenetelmä

Lille V

Mittattu äänitehotaso:

101 dB(A)

Taattu äänitehotaso:

103 dB(A)

Sisäisiin toimenpitein varmistetaan, että sarjatuotantolaitteet vastaavat aina voimassa olevien EU-direktiivien vaatimuksia ja sovellettuja normeja.

Alekkirjoitteet toimivat yrityksen johdon toimeksiantosta ja valtuuttamina.



IZJAVA O SUGLASNOSTI

Ovimne izjavljujemo, da stroj opisan u nastavku na temelju njegove koncepcije i konstrukcije kao i izvedbe, koju smo stavili u prodaju, odgovara dotičnim osnovnim sigurnosnim i zdravstvenim zahtjevima nadalje navedenih EZ-odredaba. U slučaju promjena na stroju, koje nisu dogovorene s nama, ova izjava gubi na svojoj važnosti.

Proizvod: Stroj za smeće / stroj s vozačkim sjedalom

Tip: 1.948-xxx

Relevantne EU-smjernice

EU-smjernica za strojeve (98/37/EG);
EU-smjernica za elektromagnetsku podnošljivost (89/336/EGW)
izmijenjena od strane 91/263/EGW, 92/31/EGW, 93/68/EGW

Sprovedene harmonizirane norme:

DIN EN 60335-1, DIN EN 60335-2-72, DIN EN 50 082-1:1993

Navedene nacionalne norme:

CISPR12

Primijenjeni postupak procjene konformnosti:

Dodatak V

Izmjerena razina buke:

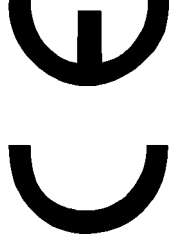
101dB(A)

Zajamčena razina buke:

103 dB(A)

Ispitna načela Glavne udruge gospodarskog strukovnog udruženja za zbrinjavanje otpada usisavačima za smeće

Unutarnjim mjerama je osigurano da serijski uređaji uvijek odgovaraju zahtjevima aktuelnih EU-smjernica i sprovedenih normi. Poštisnici djeluju u ime i s punomoćju rukovodstva.



5.957.165 (0102)

Alfred Kärcher Kommanditgesellschaft

Sitz Winnenden, Registergericht: Waiblingen, HRA, 169.

Personlich haftende Gesellschafterin: Kärcher Reinigungstechnik

GmbH, Sitz Winnenden, 2404 Registergericht Waiblingen, HRB

Geschäftsführer:

Dr. Bernhard Graf, Hartmut Jenner, Georg Metz

Alfred Kärcher GmbH & Co.KG

Cleaning Systems

Alfred-Kärcher-Straße 28-40

P. O. Box 1160

D-71349 Winnenden

Tel. : ++49 7195 140

Fax : ++49 7195 14-2212

(Reiser
Jenner)