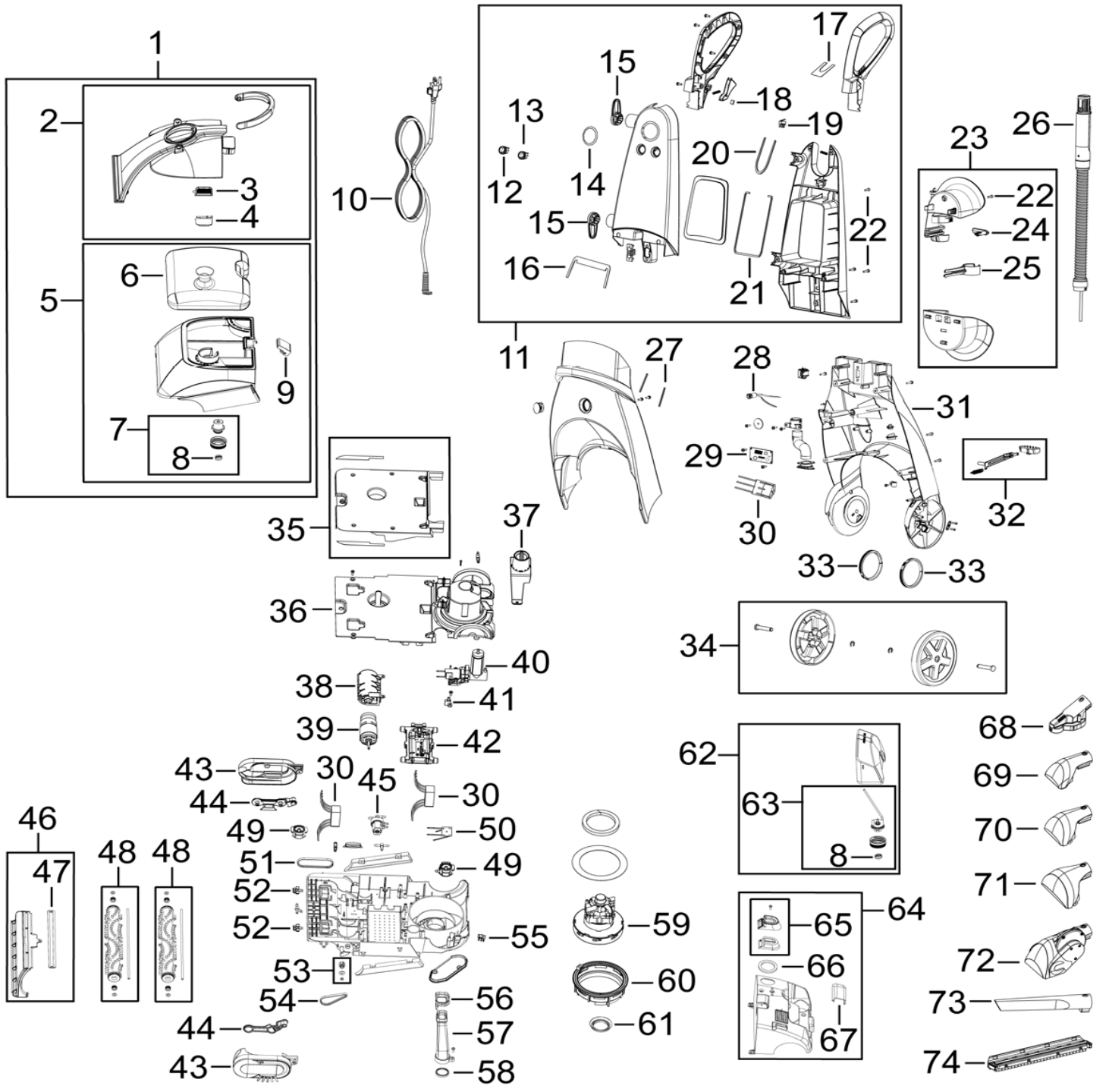




# UPRIGHT DEEP CLEANER

ProHeat™ 2X Models 9200E, F, G, J & 9400E, F, G, J



BISSELL Homecare, Inc.  
P.O. Box 1888  
Grand Rapids, Michigan 49501 USA  
www.bissell.com

Issued: July 2006

Revised:

© 2006 BISSELL Homecare, Inc.

**Upright Deep Cleaner  
Proheat 2X 9400F**



KEY	PART NO	DESCRIPTION
1	B2036616	TANK ASSY COMPLETE- BLACK CHERRY FIZZ 9400F
2	B2036974	TANK LID- BLACK CHERRY FIZZ 9400F
3	B2036680	TANK FILTER 9400F
4	B2036845	FLOAT DOOR 9400F
5	B2036631	TANK BOTTOM ASSY- BLACK CHERRY FIZZ 9400F
6	B2036674	BLADDER- INNER TANK 9400F
7	B2036675	CAP AND INSERT ASSY- WATER TANK 9400F
8	B2036679	AUTOLOAD GASKET 9400F
9	B2036681	TANK LATCH 9400F
10	B2036888	CORD- 9200F, 9400F
11	B2036891	UPPER HANDLE- BLACK CHERRY FIZZ 9400F
12	B2036884	SWITCH W/ BOOT- ON/OFF 9400F
13	B2036883	SWITCH W/ BOOT- HEATER 9400F
14	B2036694	MEDALLION 9400F
15	B2036682	CORD WRAP- BLUE ILLUSION 9400F
16	B2036909	FOAM- UPPER HANDLE 9400F
17	B2036910	FOAM- HANDLE GRIP 9400F
18	B2036911	FOAM- TRIGGER 9400F
19	B2036760	MICRO SWITCH- TRIGGER 9400F
20	B2036907	FOAM- HANDLE GRIP FRONT 9400F
21	B2036976	FOAM- TURBOBRUSH HOLDER- 9400F
22	B2036803	SCREW KIT- HANDLE- (3) M4 x 18, (1) M4 x 13 9400F
23	B2036690	HOSE RACK ASSY 9400F
24	B2036689	HOSE SECURE LATCH 9400F
25	B2036696	CREVICE TOOL HOLDER- BLACK 9400F
26	B2036601	HOSE ASSY 9400F
27	B2036908	FOAM- LOWER HANDLE 9400F
28	B2036881	INDICATOR LIGHT- HEATER 9400F
29	B2036882	CIRCUIT BOARD 9400F
30	B2036896	EMI FILTER- KIT 9400F
31	B2036905	HANDLE LOWER BACK- BLACK CHERRY FIZZ 9400F
32	B2036724	DETENT LEVER 9400F
33	B2036763	HANDLE BUSHING 9400F
34	B2036722	WHEEL KIT- (2) WHEELS, (2) AXLES, (2) E-RINGS 9400F
35	B2036895	SHROUD 9400F
36	B2036977	ACCESS COVER- BLACK 9400F
37	B2036806	TUBING MANIFOLD- MANUAL SMARTCLEAN 9400F
38	B2036821	BRUSH MOTOR COVER 9400F
39	B2036898	BRUSH MOTOR 9400F
40	B2036900	PUMP 9400F
41	B2036822	PUMP COOLING DUCT 9400F
42	B2036901	HEATER 9400F
43	B2036685	END CAP w/EDGE BRUSHES- RT & LT 9400F
44	B2036802	
45	B2036897	SOLENOID VALVE 9400F
46	B2036678	FRONT NOZZLE 9400F
47	B2036978	GASKET- FRONT NOZZLE 9400F
48	B2036686	BRUSH ASSY- 6-row 9400F
49	B2036758	AUTOLOAD RECEIVER 9400F
50	B2036764	BRIDGE RECTIFIER 9400F
51	B2036804	BELT- RIGHT SIDE 9400F
52	B2036728	SPRAY TIP 9400F
53	B2036820	GEAR, WASHER, E-RING- FOR BURSH MOTOR 9400F
54	B2036688	BELT- LEFT SIDE 9400F
55	B2036759	MICRO SWITCH- BRUSH 9400F
56	B2036902	GASKET- SHORT AIR DUCT- UPPER 9400F
57	B2036906	SHORT AIR DUCT 9400F
58	B2036815	GASKET- SHORT AIR DUCT- LOWER 9400F
59	B2036899	VACUUM MOTOR 9400F
60	B2036865	GASKET- VACUUM MOTOR 9400F
61	B2036816	GASKET- VACUUM MOTOR- LOWER 9400F
62	B2036676	FORMULA TANK ASSY 9400F
63	B2036677	CAP AND INSERT ASSY- FORMULA TANK 9400F
64	B2036893	REAR COVER- BLACK CHERRY FIZZ 9400F
65	B2036867	GASKET W/ SCREW- BLACK CHERRY FIZZ 9400F
66	B2036894	FOAM- REAR COVER 9400F
67	B2036979	VENT COVER- BLACK CHERRY FIZZ 9400F
68	B2036691	SOTCHGUARD APPLICATOR TOOL 9400F
69	B2036651	75mm TOUGH STAIN TOOL 9400F
70	B2036653	100mm UPHOLSTERY TOOL 9400F
71	B2036654	150mm STAIR TOOL 9400F
72	B2036652	TURBO BRUSH 9400F
73	B2036655	CREVICE TOOL 9400F
74	B2036692	BARE FLOOR TOOL 9400F