

STC 2000  
STC 3000

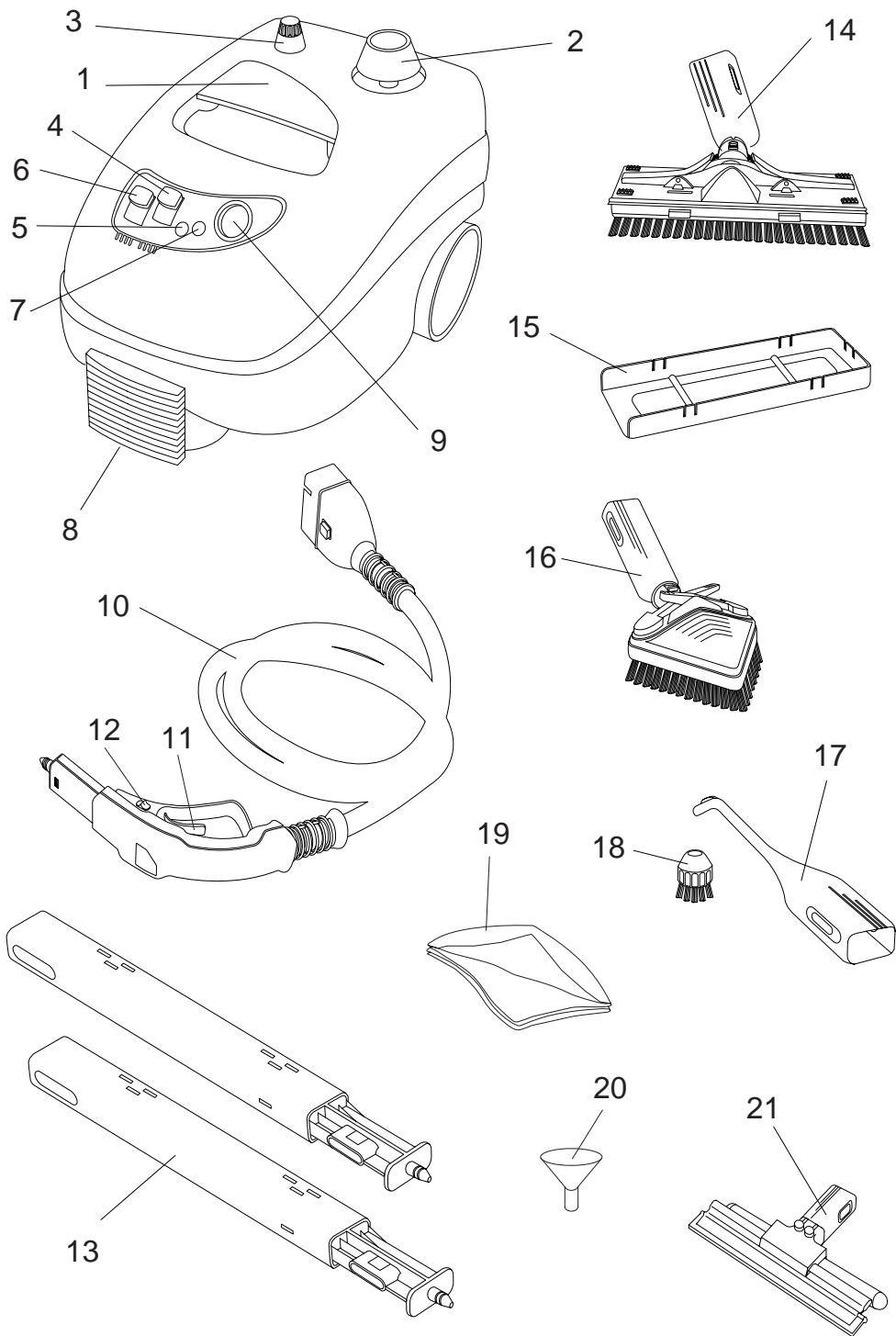


Instruction manual

ALTO®

Total Cleaning  
Confidence™

KEW  
TECHNOLOGY



# **We congratulate you on your new ALTO Steam Cleaner**

*We are confident that the new steam cleaner of ALTO will live up to your expectations of modern, quick and efficient cleaning.*

*You have now got a cleaning device, which in many ways will facilitate your future cleaning tasks and make them more efficient. 140°C hot steam is an efficient solution, which does not only clean but also disinfects. Many tasks, which were previously hard and time-consuming, can now be solved in a few minutes - and with a far better result.*

*With this instruction manual we wish to give you the basic knowledge to enable you to:*

- *Use the steam cleaner in a safe and adequate way (section 1)*
- *Operate the steam cleaner and the accessories appropriately and reasonably (section 2)*
- *Clean with the steam cleaner (section 3)*
- *Maintain the steam cleaner (section 4)*
- *Locate and correct a fault which may occur when using the steam cleaner (section 5) and finally*
- *Gain knowledge of the 2 years' warranty policy of ALTO.*

*Section 3 of the instruction manual dealing with fields of application is only meant as an appetizer. Therefore you should read the instruction manual carefully through before you start cleaning and you will soon discover that places which were hard to clean, can now be cleaned in a twinkling. Many possibilities of quick and efficient cleaning are lying ahead.*

*If - contrary to expectation - problems with your steam cleaner should arise, which cannot be remedied by means of the information in section 5, the whole service organisation of ALTO will be ready to help you.*

*ALTO is a world-wide concern with a comprehensive knowledge within development and production of environmentally friendly cleaning solutions. Our product range comprises cleaning solutions for selected customer groups - from machines for domestic use to big industrial cleaning systems.*

*The expertise of ALTO is cleaning with focus on the needs of the customers. The key word is confidence - we name it Total Cleaning Confidence™. We want you, as a customer, to feel confident that the cleaning equipment you get from us, is the most efficient equipment available and that it fulfil all of your expectations.*

*Best regards*  
**ALTO Danmark A/S**

## Contents

1.0 Safety instructions and warnings .....	4
2.0 Operating instructions .....	5
3.0 Cleaning with the steam cleaner .....	7
4.0 Maintenance .....	8
5.0 Trouble-shooting and correction .....	9
6.0 Warranty .....	9

## Fields of application GB

The applications for this product are domestic cleaning jobs:

*Tiles, floors, bathroom, kitchen, walls, ceilings, etc.*

### NOTE!

**Machine and accessories MUST be stored in a frost-free room.**

**FROST DAMAGE IS NOT COVERED BY THE WARRANTY!**

## Survey of models ( type designation: P892)

(See drawing on the inside of the back cover)

	STC 2000	STC 3000
1. Carrying handle	X	X
2. Water filling cap	X	X
3. Steam regulation knob	X	X
4. Start/stop button	X	X
5. Control light for start of cleaning (green)	X	X
6. Start/stop button for steam	X	X
7. Warning lamp for water filling (orange)	X	X
8. Connection for high pressure hose	X	X
9. Pressure gauge	-	X
10. Hose with handle	X	X
11. Release	X	X
12. Lock for release	X	X
13. 2 extensions	X	X
14. Floor brush	X	X
15. Carpet adapter	X	X
16. Triangular brush	X	X
17. Steam nozzle	X	X
18. Small round brush for steam nozzle	X	X
19. Cloth	X	X
20. Funnel for water filling	X	X
21. Glass cleaner	*)	X
Steam iron	*)	*)

\*) Optional equipment. Contact your ALTO distributor for further information.

## Technical data

Model		STC 2000	STC 3000
Power	watt	400	2200
Voltage	volt	230	230
Power consumption	amp.	6.1	9.6
Tank capacity	l	2	3
Steam pressure	bar	4	4.5
Measurements (HxWxL)	mm	280 x 265 x 445	280 x 265 x 445
Weight	kg	5.4	5.7
Electric cable, length	m	7.5	7.5
Hose, length	m	2.7	2.7
Boiler, aluminium		X	
Boiler, stainless steel			X

We reserve the right to alterations.

Before starting up your steam cleaner, we advise you to carefully read through this section (1.0) and section 2.0. Follow all instructions to minimise the risk of injuries when using the machine.

## Prior to operation

Before starting up your steam cleaner please check it carefully for any defects. If you find any, do not start up the cleaner and contact your ALTO distributor.

### Especially check:

- The insulation of the electric cable should be faultless and without any cracks. If the electric cable is damaged, it should be replaced by an authorized ALTO distributor.
- Check that the voltage stated on the model tag of the machine corresponds to your mains voltage.
- Check that the electric fuse exceeds the power consumption stated on the model tag of the machine.

### Mains power connection

The following should be observed when connecting the steam cleaner to the electric installation:

- The electric installation shall be made by a certified electrician.
- It is strongly recommended that the electric supply to this machine should include a residual current device.
- Do not touch plug and socket with wet hands.

### Wiring instruction for UK

1. This unit must be earthed. The **green** or **green and yellow** wire must be connected to the earth terminal marked **E** or by the earth symbol.
2. The **brown** or **red** wire should be connected to the **live** terminal marked **L**.
3. The **blue** or **black** wire should be connected to **neutral** terminal marked **N**.

**Fuse rating:** This unit should be protected by a **13** amp fuse to **BS1362**.

Should you have any doubts please contact our **Customer Support department** on 01768 868995 or your nearest **ALTO** distributor.

## Extension cable

If you want to apply an extension cable when operating your steam cleaner, make sure that it is strong enough to carry the power consumption of the steam cleaner (see model tag and contact a certified electrician).

Always make sure that the extension cable is intact before operation.

## Application

- The steam cleaner is only intended for domestic use.

- The machine must only be operated by persons, who have read and understood this instruction manual.
- **WARNING!** Never direct the steam jet towards persons or animals. This may cause serious burns.
- **WARNING!** Never use the steam cleaner on electrical installations (plugs, lamps or the like) or the machine itself.
- **WARNING!** If the steam cleaner is used on electrical appliances, these should be disconnected from the power supply, and the cleaning should be made according to the instructions of the manufacturer. Never reconnect electrical appliances until they are completely dry.
- **WARNING!** Never try to clean clothes or footwear on yourself or other persons.
- **WARNING!** Children and steam may be a dangerous combination. Therefore never leave the steam cleaner without supervision if connected or with steam pressure.
- **WARNING!** Be careful if you want to empty the steam cleaner of hot water. The water may be close to boiling point and there is a risk of steam leak.
- Avoid damaging the electric cable such as running over by a car, squeezing, pulling, knotting/kinking and keep it away from sharp or hot objects.
- Do not use the machine if the electric cable or other important parts of the equipment are damaged - e.g. safety devices, hoses, handle or cabinet.
- The machine should not be covered during operation.

## General

- Steam cleaning of asbestos-containing and other dangerous or poisonous materials is not allowed.
- Always unplug the machine before cleaning the machine.
- Never use the machine in an environment where there could be a danger of explosion.
- Of safety reasons only use original ALTO accessories and spare parts.

## Safety devices on the machine

- The release (11) is fitted with a lock (12). When the lock is activated, the release cannot be controlled.
- The socket for water filling is fitted with a child resistant screw cap. Press the screw cap down while unscrewing it.

## 2.1 Operation and control facilities

- Steam regulation knob (3). Infinitely variable adjustment. Turning to (+) higher steam pressure, turning to (-) lower steam pressure.
- Start/stop button for steam cleaner (4): Button with orange lamp turns on the steam cleaner (orange light on). Button without light turns off the steam cleaner (orange light out).
- Control light for start of cleaning (5): Green lamp. Light turns on when the cleaner is ready for use.
- Start/stop button for steam (6): Button with orange lamp allows steam for the spray handle (orange light on). Button without light shuts off steam (orange light out).
- Control lamp for water filling (7): Orange lamp which turns on when a re-fill of water is required.
- Pressure gauge (9) (only STC 3000): Shows the steam pressure.
- Release with lock (11). When the release is activated, steam is coming out. The release features a lock, which prevents activation of the release.

## 2.2 Water filling

Only use water without impurities. Cold as well as hot water may be used. The steam cleaner must be in horizontal position during the filling.

**WARNING!** The steam cleaner must not be connected to the power supply during the filling of water.

### Water filling - cold machine

1. Unscrew the water filling cap (2) by pressing the cap while turning it round.
2. Place the enclosed funnel (20) in the filler hole.
3. Fill up with water as occasion requires.  
However, do not overfill the boiler. **NOTE:** The water level may fall due to air in the boiler, but do *not* replenish.
4. Screw the cap on again by pressing it down while turning it round.

### Water filling - hot machine

**WARNING!** If the steam cleaner is hot, it is very important to follow the procedure below:

1. Disconnect the steam cleaner on the start/stop button (4).
2. Activate the trigger of the spray handle, until no more steam comes out (the start button for steam (6) must be activated).
3. Disconnect the plug from the socket.
4. *Carefully* loosen the water filler cap (2), as surplus steam may come out. Do not remove the cap until no more steam oozes out.

5. Wait at least 15 minutes before replenishing with water. If you add water earlier, it may strike back when hitting the hot boiler.
6. Follow items 2-4 in section 2.2 Water filling - cold machine.

## 2.3 Attachment of hose

1. Open the flap for the hose connector (8) and insert the hose.  
Make sure that the split pin comes into place. You will hear a small click.
2. Attach the required tool (see section 2.7).

## 2.4 Mains power connection

1. Uncoil the cable completely and plug it in.

## 2.5 Starting up

1. Check that the steam cleaner is in horizontal position as the water in the boiler must be in contact with the heating element.
2. Activate the start/stop button (4). An orange light will turn on indicating that the steam cleaner has been started and is heating the water.
3. Wait until the steam cleaner has heated the water completely. When the green lamp (5) (orange light) turns on, the steam cleaner is ready for use.  
When the boiler is full, it will take approximately 10-15 minutes until the water has in the boiler has been heated. The heating time will be shorter if you use hot water or if the boiler is not completely full.
4. If required empty the hose of condensed water in the following way:
  - 4.1 Adjust the steam regulation knob (3) to max. steam (+).
  - 4.2 Press the start/stop button for steam (6). The steam supply is connected when the orange light in the button turns on.
  - 4.3 Activate the trigger of the spray handle and hold the nozzle against a cloth to catch any condensed water.

**WARNING!** Do not get too close to the steam jet as you may scald yourself.

- It may be necessary to empty the hose of condensed water when the cleaner is started up or after a long break.
5. **Note! Always make a test on a hidden spot to find out whether cleaning with the steam cleaner discolours or causes any damage to the surface, which is to be cleaned. If you are in doubt, ask the distributor of the product in question.**

## 2.6 End of operation and storage

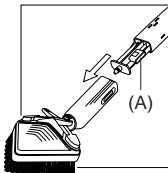
After use the steam cleaner should be stopped in the following way:

1. Press the stop button for steam supply (6). The orange light will turn out.
2. Press the stop button for the steam cleaner (the orange light in the button will turn off) and disconnect the plug from the socket.
3. Detach the hose (10).

Now the steam cleaner can be placed in the store room.

## 2.7 Accessories

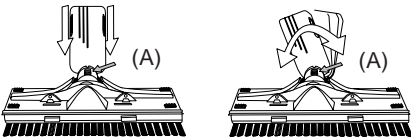
Mounting of accessories. Push the chosen accessory on to the extension or the spray handle until the button (A) falls into place.



NOTE: Mounting or dismounting of accessories may be a little more tricky when the steam cleaner is hot as the materials will naturally expand a little when hot.

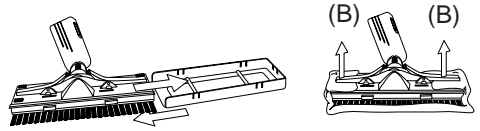
### 2.7.1 Floor brush (14)

The floor brush used for the cleaning of floors and other big surfaces is mounted with one or two extensions on the spray handle. By pushing the check pawl (A) forward and backward you may choose between a locked or a movable position of the brush.



### 2.7.2 Carpet adapter

The carpet adapter is used for the protection of sensitive surfaces against the bristles of the floor brush. It is slid over the bristles of the floor brush. The adapter can be used with the enclosed cloth (19), which is secured by the clips (B) on the upper side of the floor brush.



When the adapter is used with cloth, the dirt is collected in the floor brush which will have to be cleaned at intervals.

### 2.7.3 Triangular brush (16)

The triangular brush used for cleaning of small surfaces and corners is mounted directly on the spray handle or together with one or two extensions according to the character of the task.

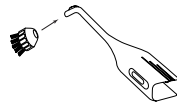
By pushing the check pawl (A) forward and backward you may choose between a locked or a movable position of the brush.

The enclosed cloth can be mounted by tipping up the clips (B) on the upper side of the brush.



### 2.7.4 Steam nozzle (17) and small brush (18)

**WARNING!** The steam nozzle may become very hot. The steam nozzle is used for cleaning of stubborn stains or places hard to get at, as for instance chinks or the like. It is mounted on the spray handle or with one or two extensions according to the character of the task. For use with the steam nozzle a small round brush (18) is included, which is used if the cleaning task requires brushing during steam affection.



### 2.7.5 Glass cleaner (21) (only STC 3000)

The glass cleaner is intended for the cleaning of windows, mirrors and other smooth surfaces. The glass cleaner can be mounted directly on the spray handle or with one or two extensions as occasion requires.

When the rubber scraper is dismantled, the nozzle can be used for application of steam. For light steam cleaning of textiles as an example.

## 3.0 Cleaning with the steam cleaner

**GB**

A steam cleaner is an efficient appliance for domestic cleaning. The diagram below is a list of inspiration showing for which cleaning tasks in normal everyday life the steam cleaner will be of practical use. As cleaning tasks vary from home to home, the list should not be considered adequate, but examples of how to get started with steam cleaning.

One of the advantages of a steam cleaner is that no chemicals are used as the 140°C hot steam loosens filth and dirt. It is collected in a cloth mounted on the brush or removed afterwards by means of a cloth. An important advantage is that steam is disinfecting.

**NOTE !** When starting a new cleaning job, you should try on a hidden spot as in some cases the steam may discolour and cause minor damage to the surfaces to be cleaned. Soft surfaces can be cleaned with the steam cleaner by holding the brush at a suitable distance from the sensitive surface (approx. 5-10 cm).

The steam volume is infinitely variable by means of the steam button at top of the machine (3). Always use as little steam as possible to save energy. When cleaning soft objects always use as little steam as possible.

Object	Accessory	Method
Exhaust hood	Triangular brush (16)	Pull the brush mounted with a cloth over the even surfaces. For very dirty steel screens, use the steam nozzle.
Tiles and other hard surfaces as for instance walls and ceilings	Floor brush (14) or triangular brush (16) (steam nozzle (17) + small round brush (18))	With cloth mounted pull slightly over the surface. For soft surfaces fold the cloth to reduce the heat affection. For very dirty tile joints use the steam nozzle, if necessary mounted with the small round brush.
Freezer	Steam nozzle (17)	Defrosting. Let the steam under the ice by making a hole in the ice with the steam jet and the ice will fall off in big flakes.
Wash basin	Steam nozzle (17)	Flush with the nozzle. Collect any dirt with a cloth.
Cooker	Steam nozzle (17)	Flush with the nozzle. Collect any dirt with a cloth.
Refrigerator	Steam nozzle (17) Triangular brush (16)	Flush with the nozzle. Collect any dirt with a cloth. For big, even surfaces the triangular brush mounted with a cloth may be used.
Furniture	Triangular brush (16) Floor brush (14)	With cloth mounted (folded if necessary) slightly pull over the upholstery. Do not forget to try on a hidden spot at first.
Radiator	Steam nozzle (17)	The concentrated steam jet will remove and bind the dust. Place papers or the like under the radiator to collect dirt and water.
Toilet	Steam nozzle (17)	Flush with the nozzle. Collect any dirt with a cloth.
Carpets	Floor brush (14)	With carpet adapter (15) mounted, pull slightly over the carpet. Do not forget to clean the floor brush at intervals as dirt will collect.
Windows, mirrors and other glass surfaces (only STC 3000)	Glass cleaner (21)	Start at the top by steaming the glass and pull the rubber scraper over the glass. Alternatively steam the whole window at a time and afterwards pull the rubber scraper over the glass. In cold environments the glass must be carefully warmed up as otherwise the glass may be subjected to stress.
Blinds	Triangular brush (16)	Mounted with a cloth. Close the blinds and slightly pull over it.
Clothes	Steam nozzle (17) or glass cleaner (21) without scraper (only STC 3000)	Used for steam cleaning of clothes. Creases and wrinkles will straighten out when on a hanger.



## 4.0 Maintenance

- Always remove the plug from the socket before any maintenance of the steam cleaner.
- The electrical components of the cleaner must only be checked by an authorised service shop.
- Check the electric cable for damages or aging at regular intervals. If the condition of the machine is not all right, it must not be used.
- Never empty the machine as long as the water in the boiler is still hot.

### Washing of cloths

- The cloths can be washed in a washing machine at 60°C and dried in a tumbler. Avoid the use of a softener which may reduce the absorbency of the cloth.

**NOTE!** When empty and lead over a bump - i.e. a threshold - the STC 3000 may make a chinking sound. It is not a fault and has no functional importance. The reason is that the built-in pressure switch may vibrate a little and thus touch parts of the boiler.

### Cleaning of the machine

Clean the machine with a damp cloth.

### Cleaning of boiler

**WARNING!** Always clean the machine when it is cold and NOT connected to the power supply.

The boiler should be descaled each 4-6 weeks dependent on the water and how often the steam cleaner is used.

#### *STC 2000*

The boiler is most easily cleaned by filling it with approximately ½ litre of water, screwing the water filling cap on and shaking it. Thus the scale deposits at the bottom come loose. Then pour out the water and scale deposits and any dirt will be rinsed out.

- Empty the tank by unscrewing the drain plug and letting the water off. (The drain plug is a threaded rubber plug on the underside of the steam cleaner). **Do not forget** to screw the drain plug on again. If much scale comes out during the emptying, repeat the procedure.

#### *STC 3000*

The boiler is most easily cleaned by filling it with approx. ¼ litre of water and approx. ¼ litre of 32% acetic acid, screwing the water filling cap on and shaking it. Leave the machine for 10 minutes and then empty the tank by unscrewing the drain plug and letting the water off. (The drain plug is a threaded rubber plug on the underside of the steam cleaner). **Do not forget** to screw the drain plug on again. If much scale comes out during the emptying, repeat the procedure. Afterwards the boiler should be carefully flushed with clean water.

## 5.0 Troubleshooting

Problem	Cause	Correction
<b>Machine does not start heating after having been switched on (control lamp not alight)</b>	Have you pressed the button completely down? Is the power on?	Try again.  Check the plug of the machine. Check the fuses of the electric installation.
<b>No steam comes out after having activated the release of the spray handle.</b>	The handle may be defective Leak between hose coupling and hose socket. Machine is not switched on.	Check the connection between the hose coupling and the hose socket of the machine.  Check that both switches of the machine are on.
<b>No steam comes out during operation</b>	The handle may be defective  Leak between hose connection and hose socket	Check whether lamp for low water level is alight. If yes, fill on water (see section 2.2). <b>Note:</b> Carefully unscrew the filler cap until steam comes out. WAIT until the steam pressure has left the boiler, unscrew the filler cap and fill on water.
<b>Steam comes out between the extension and the hose connection</b>	The O-rings are worn, has fallen off or have been wrongly placed	Place the O-rings in the small groove. If that does not help, contact ALTO in Penrith.
<b>Steam comes out by the water filling cap at top of the machine</b>	Has the water filling cap been correctly screwed on before heating?  Is the O-ring worn, has fallen off or been placed wrongly ?	Press down the water filling cap and tighten it up.  Place the O-ring in the small groove. If that does not help, contact ALTO in Penrith.

Should other malfunctions occur than those mentioned above, please contact ALTO in Penrith.

**Customer services:**

**ALTO Cleaning Systems Ltd.**  
Gilwilly Industrial Estate  
Penrith, Cumbria CA11 9BN

Phone: 01 768 868995

## 6.0 Warranty

Your quality product is guaranteed for 24 months from date of purchase (purchase receipt must be presented) on the following conditions:

- that defects are attributable to flaws or defects in materials or workmanship.  
(Usual wear and tear as well as misuse are not covered by the guarantee).
- that the directions of this instruction manual have been thoroughly observed.
- that repair has not been carried out or attempted by other than ALTO-trained service staff.
- that only original accessories have been applied.
- that the product has not been exposed to abuse such as knocks, bumps or frost.
- that only water without any impurities has been used (mentioned in section 2.2 of this instruction manual).

- that the machine has not been used for rental nor used commercially in any other way.

Repairs under this guarantee include replacement of defective parts. The machine should be handed in to the shop where it was purchased or forwarded to one of the service centres of the ALTO organisation with description/specification of the fault (the guarantee repair will then be excl. of carrying charges and packaging).

Any other repair of the machine (if the warranty terms have not been respected) will be invoiced. (I.e. malfunctions due to **Possible Causes** mentioned in section **5.0 Troubleshooting Chart** of the instruction manual).



Licence n.º 204023

