



Solutions for Daily Living

TheraPedic™ Vehicle Restraint System Model #2000 & 2500



Although Federal standards have not been established for body weights in this range, Columbia TheraPedic Vehicle Restraint Systems have been crash tested and successfully withstood impacts using a 130 lbs (59 kg) test dummy at 30 mph (48 kph).



WARNING! DEATH OR SERIOUS INJURY CAN OCCUR:

- Model #2000 is for use only with individuals who weight between 20 - 102 lbs (9.09 - 46.36 kg) and whose shoulder height when sitting is 12 -20 in.
- Model #2500 is for use only with individuals who weight between 50 - 130 lbs (29.5 - 59 kg) and whose shoulder height when sitting is 13 -24 in.
- Model #2500 - Do not use with individuals under 65 lbs (29.5 kg).
- Failure to follow each of the following instructions can result in your child striking the vehicle's interior during a sudden stop or crash.
- Secure this TheraPedic Restraint System with the vehicle's seat belt as specified in the manufacturer's instructions located in the pocket on the side of this seat.
- The harness must fit snugly for proper protection. A snug strap should not allow any slack, without sagging, while not pressing into the individual's body.
- Do not use with your vehicle's LATCH connector system. The LATCH system is not designed for individuals over 50 lbs.
- Your Columbia TheraPedic Vehicle Restraint System must not be used in front seats protected by airbags, unless your vehicle has a switch to turn the airbag off. Passenger-side airbags can cause serious injury or death to children in safety seats.
- Your Columbia TheraPedic Vehicle Restraint System is designed to fit a wide range of individuals. To insure a proper fit for the occupant, it is important that your seat be correctly set up and installed before using it for the first time.
- This seat must not be used with:
 1. Vehicle seats that face to the side or rear;
 2. Vehicle seats with backs that can fold forward in a crash or sudden stop. Some seat backs automatically lock in an emergency. Check your owner's manual or with your dealer if you're not sure;
 3. Seating positions with belts that automatically surround the passenger as the door is closed;
 4. Seating positions with emergency-locking seat belts.
- See the section below on seat belts to determine which of your vehicle's seat belts may be used.
- Your Columbia TheraPedic Vehicle Restraint System must be secured forward facing with both your vehicle's seat belt and the included tether strap.
- To maintain its safety, if your seat or harness becomes badly worn or damaged, or if your seat is involved in an accident, regardless of speed and regardless how minor, your Columbia TheraPedic Vehicle Restraint System may no longer be effective and should immediately be replaced.
- Metal tabs, etc., can become hot inside a closed automobile in the sun. Check that the metal parts are not too hot before putting the occupant in your seat. If you park in the sun, covering your seat with a blanket, towel, etc., will help keep the metal parts from heating up.
- Heavy, loose objects are dangerous in your vehicle. Always have your Columbia TheraPedic™ Restraint System secured with your vehicle's seat belt, even when the Restraint System is unoccupied, as a safety precaution for yourself and other occupants.

- The harness assembly must only be used with the Columbia TheraPedic Vehicle Restraint System. Do not try to use the harness independently of the seat.
- The Federal government recommends that children under twelve years of age ride in the rear seat. The center of the rear auto seat is the safest seating position in most vehicles, followed by the passenger-side rear seat, and then the driver-side rear seat. Use the center rear seat whenever possible.
- Make sure that the front seats are far enough away from your Columbia TheraPedic Vehicle Restraint System to minimize the risk of your child striking them in an accident.
- Never leave the occupant unattended in your automobile.
- Register your Columbia TheraPedic Vehicle Restraint System with the manufacturer.

WHERE TO INSTALL YOUR VEHICLE RESTRAINT SYSTEM

Placement of your TheraPedic Vehicle Restraint System in your vehicle's seat:

If the lip of the Vehicle Restraint System projects more than one inch over the edge of the car's seat bench, then the seat bench is too small, and the Columbia TheraPedic Vehicle Restraint System must not be installed in that seating position.

Seat Belts

Your Columbia TheraPedic Vehicle Restraint System is designed for use only with certain kinds of lap or combination shoulder/lap belts. Read the section below on seat belts to determine which of your vehicle's seat belts are suitable.

Your Columbia TheraPedic Vehicle Restraint System cannot be used in seats that have "passive restraint" -type seat belts, such as any kind of self-locking seat belt that the passengers do not have to fasten themselves. For example, some vehicles have shoulder belts that slide into place automatically when the passenger closes the door, and then slide out of the way automatically when the passenger opens the door. Because the seat belt tension cannot be properly controlled, your Columbia Restraint System must not be used with this kind of passive restraint, or any other kind of passive restraint systems.

Vehicle Lap Belts and your Columbia TheraPedic Vehicle Restraint System:

Yes! Lap belts that have no retractor, but rely on the passenger to pull on the free end of the belt to set the lap belt to the proper tension **can be used** to secure the Columbia TheraPedic Vehicle Restraint System. Simply attach the locking clip as shown in **Figure 1** once you have adjusted the belt to the proper tension. Snug the locking clip within 1/2" of the buckle.

Yes! Another kind of lap belt feeds into and out of a retractor. When you pull on the free end of the belt, if you stop pulling, or allow the belt to go back into the retractor, the belt "locks up" and can't be pulled out any further until you let the belt go all the way back into the retractor. Because you can control the tension of this kind of seat belt, it **can be used** to secure the Columbia TheraPedic Vehicle Restraint System. You do not need to use a locking clip with this type of seat belt.

No! Some lap belts only lock up when the nose of the car dips, for example, during an accident, or when the driver steps on the brake. These are "emergency-locking" seat belts. Because the tension on this kind of belt cannot be controlled, it **cannot be used** to secure the Columbia TheraPedic Vehicle Restraint System.

Vehicle Combination Lap/Shoulder Belts and your Columbia TheraPedic Vehicle Restraint System:

Yes! "Continuous-Loop" lap and shoulder belts are those that have a lock plate (the "male" part of the seat belt buckle) that slides freely along a continuous piece of webbing running from the hip to the shoulder retractor. These belts **can be used** to secure the Columbia TheraPedic Vehicle Restraint System. Once you

have set the belt to the right tension, simply attach the locking clip within 1/2" (13 mm) of the locking plate as shown in **Figure 1**.

No! Some combination lap and shoulder belts have what is called a "sewn lock plate". The lap belt is sewn to the side of the lock plate (the "male" part of the seat belt buckle), while the shoulder belt is sewn to the top of the lock plate. Each belt feeds into its own emergency-locking retractor. Because the seat belt tension cannot be properly controlled with this type of belt, they **cannot be used** to secure the Columbia TheraPedic Vehicle Restraint System

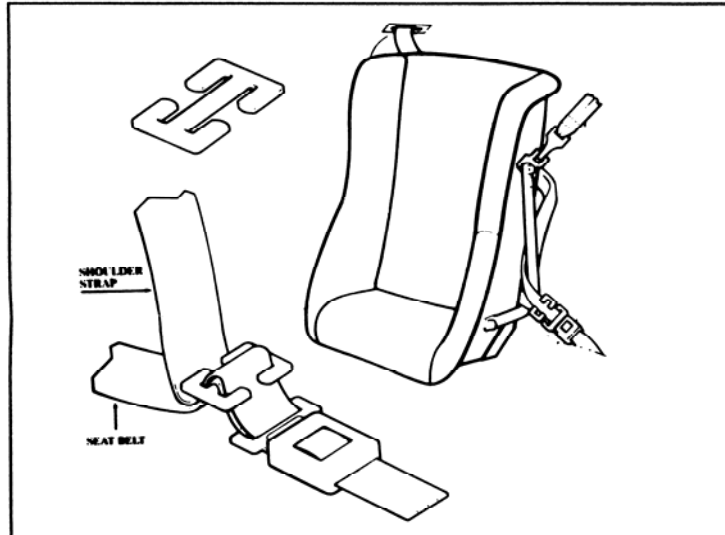


Figure 1: Use of the locking clip

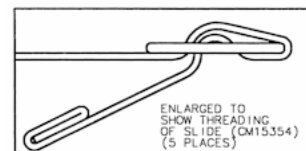
USE AND INSTALLATION

STEP 1: Operating Your Columbia TheraPedic Vehicle Restraint System Buckle

Pressing the red button will open the buckle. To fasten the buckle, insert the two metal tabs into the top of the buckle until they click into place. Never lubricate the buckle.

STEP 2: Positioning Shoulder Straps

The Columbia TheraPedic Vehicle Restraint System has four pairs of pre-cut slots, at different heights up its back. The shoulder straps must be used in the slots located at the occupant's shoulder level. Do not use a slot where the occupant's shoulders are above the top of the slot. If you need to re-adjust the shoulder straps to different slots, feed the metal slides on the back of the Columbia Restraint System through the slots. To fit the black metal slides through slots, turn the slide to the short side of the rectangle and it will easily push through the slots. **Do not attempt to unthread the straps from the metal slides to get them through the slots.**



STEP 3: Adjusting Fit of Harness

In adjusting the harness, the crotch strap is the first part to be adjusted. Loosen the other straps and place the occupant in the Columbia TheraPedic Vehicle Restraint System. Adjust the length of the crotch strap with the metal slide on the bottom of the seat. The length of the crotch strap should be adjusted so that the lap belt of the harness is down over the bony part of the occupant's hips, not over the soft stomach area. With the lap belt positioned correctly over the hips, the buckle will be located quite low, where it should be.

With the crotch strap adjusted, take up slack in the shoulder straps with the metal slides on the back of the seat, and with those on the front. By using the metal slides on the back of the seat to control the belt length, you may adjust the harness so that the adjusters on the front shoulder straps rest on a comfortable part of the occupant's body, (For example: below the collarbone).

Using the fine adjusters on the front, adjust the length of the harness for a comfortable fit. The harness must fit snugly for proper protection. Adjust the tightness of the shoulder straps so that you can fit one or two fingers (but no more) between the shoulder strap and the clavicle (collarbone). A snug strap should not allow any slack, without sagging, while not pressing into the individual's body. Never lubricate the adjusters.

STEP 4: Location of Chest Clip

The chest clip serves to keep the shoulder straps from sliding down off the shoulders. Make sure that the chest clip is even with an imaginary line drawn from armpit to armpit. If it is too high, it poses a choking hazard, while if it is too low it will not keep the shoulder straps in place.

STEP 5: Head Pads and Lateral Positioning Pads

The head pads may be adjusted for height. Located behind, and underneath each head pad is a plastic ball, attached to the lace that passes through the head pad. Squeeze the button on each ball and slide the ball up or down to change the height of the head pads.

Lateral Positioning Pads: If the occupant is slender or small, the car seat may be too wide. You can narrow the inside seat width with this Lateral Positioning Pad Set. Use only as many pads as needed for a correct fit. First decide how far up the car seat you will want to narrow the inside width. Use the Positioning Pads as they are or cut them to a customized fit. Then, peel back the edge of your car seat upholstery cover from the sides of the shell. Insert the Positioning Pads between the inside of the plastic shell and the cover. Stretch the upholstery cover back over the Positioning Pads, and over the edge of the shell.

You can experiment with the number of pads you insert to create the best fit. For comfort, you should leave about one inch of space between either side of the occupant and the cover. As the individual grows, you may change the pad arrangement to maintain a good fit. Larger individuals may not need the head pads or the lateral pads at all.

Step 6: Securing the Seat in Your Vehicle

The Columbia TheraPedic Vehicle Restraint System is designed to face forward in the car in an upright position. The seat is held in place with the vehicle's own seat belt and with the included tether strap. **Important: do not attempt to place your vehicle's seat belt around the front of your Columbia TheraPedic™ Restraint System, the way many infant seats are held in. As shown in Figure 2, thread the seat belt through the two metal tubes on the back of the Columbia TheraPedic Vehicle Restraint System.** Connect your seat belt buckle and, while kneeling in the Columbia TheraPedic Vehicle Restraint System, adjust your vehicle's seat belt as tight as possible to hold the Columbia TheraPedic Vehicle Restraint System in place. If the seat belt is a combination lap and shoulder belt, pull upward on the shoulder portion of the belt to tighten the lap portion, and then install the locking clip. Kneeling in the seat helps secure it; when you remove your weight from the seat, your vehicle's upholstery will spring back into shape and keep the seat in place even more securely.

Make sure that the seat belt buckle lies to one side or the other of a Columbia TheraPedic™ Restraint System's side tube, not resting across it.

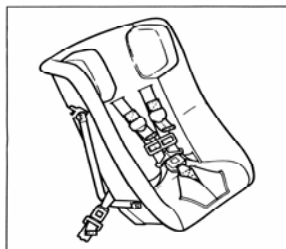


Figure 2: Securing Columbia TheraPedic Vehicle Restraint System with vehicle's seat belt.

STEP 7: Use of the supplied locking clip

Install your Columbia TheraPedic Vehicle Restraint System as described above, using your vehicle's seat belt. Hold your car's shoulder/lap belt webbing and the seat belt tab to stop it from sliding. Then release the tab from your seat belt buckle.

Fold the webbing and thread it through the locking clip, one side at a time. Keep the locking clip as close as possible to the seat belt tab - no further than 1/2" away. Snug the locking clip against your seat belt tab. **See Figure 1.** Buckle the seat belt to see that the clip has been correctly installed, with all slack webbing gone and the seat tightly in place.

STEP 8: Installing the Tether Strap

A tether strap is supplied with your Columbia TheraPedic Vehicle Restraint System. This tether strap must be used in addition to your vehicle's seat belt. Failure to do so may result in death or serious injury in the event of a crash. Use of the tether will enhance the stability of your Columbia TheraPedic Vehicle Restraint System, particularly if your vehicle has very soft or very upright seats. Install the tether in your vehicle as instructed below.

The tether strap is "V"-shaped. The bottom of the "V" attaches to your vehicle. The two top ends attach to your Columbia TheraPedic Vehicle Restraint System by hooking onto metal brackets located on the upper ends of each metal tube on the sides of the Columbia TheraPedic Vehicle Restraint System. The metal anchor plate on the bottom of the "V"-shaped tether must be bolted to your vehicle.

Where you install the anchor depends on your vehicle. If you are installing the car seat in a sedan, the anchor plate bolts to the parcel shelf in front of the rear window. **Note: the parcel shelf must be fixed and made of metal underneath.** You can tell if it is made of metal underneath by looking in the trunk. If the parcel shelf is adjustable or is not metal underneath, follow the instructions for a hatchback, van, or station wagon; in these cars the tether anchor bolts to the cargo floor. **See Figure 3 and 4.**

WARNING: before drilling any hole in your vehicle, make sure the gas tank, pipes, cables, etc., are not in the way and will not be damaged. The tether anchor must be mounted directly in a secure metal panel. If necessary for access, trim the carpeting, hardboard parcel shelf, or other trim for clearance. Make certain that the tether webbing does not rub against any sharp edges.

Sedans with a fixed rear parcel shelf built in or after 1989:

Mounting nut: Most cars built in 1989 and after feature a tether-mounting nut welded to the underside of the parcel shelf by the manufacturer. Because of its location, this mounting nut is not normally visible. To find it, open the trunk and look up at the bottom of the parcel shelf. Some cars have one mounting nut, while others will have more than one. If your vehicle has such a nut, use it. Insert a pointed object (nail, etc.) into the nut from below, and up through your parcel shelf carpeting. From the other side, using the protruding object as your guide, trim a small hole in the carpeting. This will allow the tether bolt to screw into the nut from above. Attach the tether anchor as shown in **Figure 3.**

Sedans with a fixed rear parcel shelf built before 1989:

Cars built before 1989 generally will not have manufacturer-installed tether mounting nuts. Instead, you will need to drill a 7/16" hole and use the nut supplied with the tether. With the Columbia TheraPedic™ Restraint System in your vehicle, mark a location on the centerline of the Columbia TheraPedic Vehicle Restraint System, and about 8" behind the seat, on the parcel shelf. Open the trunk, and using a flashlight if necessary, inspect the bottom of the parcel shelf. Make sure there are no dangerous obstructions underneath the spot that you have chosen. If it is clear, drill a hole for the anchor bolt. Attach the tether anchor as shown in **Figure 3.**

Hatchbacks, vans, station wagons, and sedans without a fixed metal parcel shelf:

With the Columbia TheraPedic Vehicle Restraint System in your vehicle, mark a location on the center line of the seat and far enough back so that the tether strap will create no greater than a 45-degree angle from the horizontal (the floor of your vehicle). See **Figure 4**. Look under your vehicle and make sure there are no dangerous obstructions (e.g., gas tank, pipes, cables) underneath this spot, and that you will be able to reach it easily. If it is clear, drill a hole for the anchor plate bolt. Attach the anchor as shown in **Figure 5**. The anchor plate to be as close to horizontal as possible, so that the force on the tether anchor acts from the side.

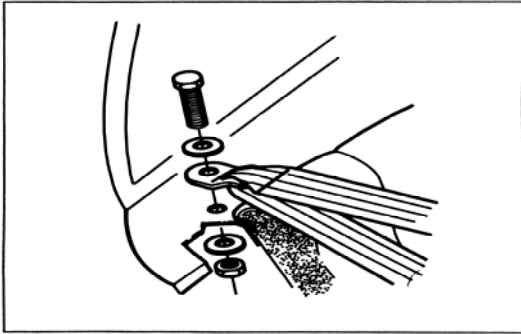


Figure 3: Tether anchoring on parcel

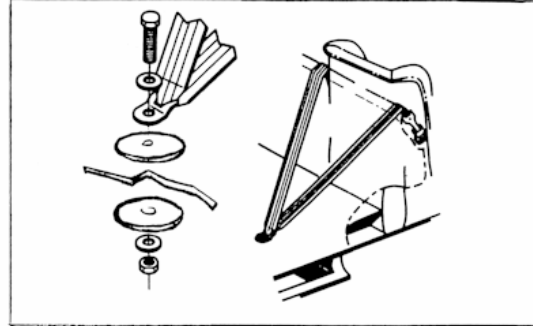


Figure 4: Tether anchoring on vehicle floor

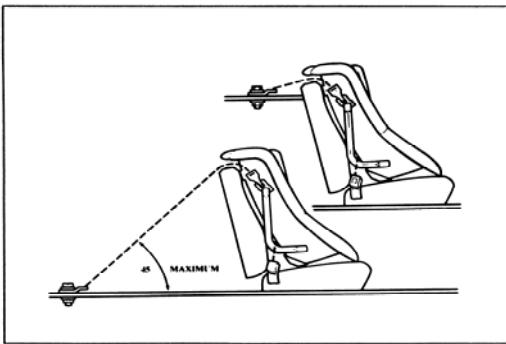


Figure 5: Tether anchoring methods

Pickup Trucks:

You can install the Columbia TheraPedic Vehicle Restraint System in the passenger-side front seat **only if there is no airbag on that side** (or if the airbag can be switched off). If the pickup truck has a rear seat, install the Columbia TheraPedic Vehicle Restraint System there. You can install the tether in the rear wall of the cab, a few inches below the rear window.

Attaching the tether strap to a rear seat belt:

You can attach the Columbia TheraPedic Vehicle Restraint System's tether to the seat belt of the seat behind it, but only if the seat belt is one of the usable kinds described above. You may need a second locking clip to secure the rear seat belt. This is a good option when installing in minivans and some school buses, when you cannot easily reach the floor of the vehicle.

Connecting the tether strap:

With your Columbia TheraPedic Restraint System in place in your vehicle and the seat belt firmly tensioned, hook the tether onto the metal "eyes" on the upper ends of your car seat's side tubes. Cinch the tether tight with the tether strap adjusters.

LATCH (Lower Anchors and Tether for Children)

Also known as the ISOFIX system, this is a standardized anchorage system independent of the vehicle's seat belts. Vehicles 2001 and newer will have a user-ready top tether strap anchorage hardware (such as a ring, bar or bracket) for three rear seating positions. **WARNING: Do not use your vehicle's LATCH connector system with this seat.**

CLEANING INSTRUCTIONS

The cover of your Columbia TheraPedic Vehicle Restraint System may be machine-washed and dried using the 'delicate' cycle. To remove the cover for washing, first remove the harness and head pads. Then remove the foam block inside each head pad cover. The harness webbing may be washed with a damp, soapy sponge and air-dried. Do not use chemicals or bleach, as they may weaken the harness.

Store these instructions in the pocket on the side of your seat for future reference.

Columbia Medical
13577 Larwin Circle
Santa Fe Springs, CA 90670
(310) 454-6612
Fax: (310) 305-1718
Email: info@columbiamedical.com
Visit us at www.ColumbiaMedical.com
© 2004 Columbia Medical Mfg LLC

COLUMBIA MEDICAL MFG. LLC warrants this product to be free of defects in material and workmanship. Our obligation under this warranty is limited to repair or replacement of any part or entire unit at our option for a period of one year from date of delivery to the original purchaser. The warranty does not include cost of inconvenience, property damage, misuse, abuse, accident or similar incidents. The warranty will not apply if product has been tampered with or repaired by unauthorized individuals. "This warranty gives you specific rights which vary from State to State."