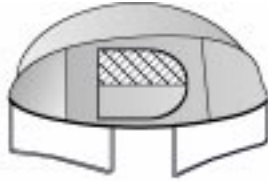


JUMP KING®



Product Model JKTR14T2, JKTR12T2 14', 12' Diameter Trampoline Tent User's Manual

SAFETY, USE, PLACEMENT, ASSEMBLY, CARE, AND MAINTENANCE MATERIALS
ENCLOSED.

READ THIS MANUAL AND ALL MATERIALS FURNISHED WITH YOUR TRAMPOLINE
THOROUGHLY BEFORE ASSEMBLING OR ALLOWING ANY PERSON TO USE THIS
TRAMPOLINE TENT. KEEP THIS MANUAL SO YOU CAN REFER TO IT LATER.



WARNING

To reduce the chance of death or serious injury, read the user's manual before you assemble or use the tent.

Adult Supervision

- ◆ Adult assembly required.
- ◆ Adult supervision required for children using tent.

Reduce the Chance of Fire, Burns, and Electrocutation

- ◆ No fires, flame or ignition sources, such as matches, lighters, candles, heaters, lanterns, or barbecues in, under, or near tent.
- ◆ No plug-in electrical devices. Do not use household electrical appliances inside the tent.
- ◆ Tent floor must be in place; trampoline mat (bed) is not flame retardant.

Keep all flame and heat sources away from this tent fabric

This tent is made with fire resistant fabric which meets CPAI-84 specifications. **It is not fire proof.** The fabric will burn if left in continuous contact with any flame. The application of any foreign substance to the tent fabric may render the flame resistant properties ineffective.

Protect Children

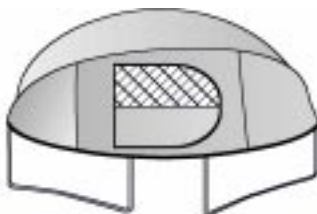
- ◆ Prevent falls and strangulation — Exit through the door only, and use caution.
- ◆ Assist young children in and out of tent.
- ◆ No jumping inside or climbing on top of tent.
- ◆ High temperatures can harm small children. On hot days, keep windows open to reduce heat build-up in tent.
- ◆ Frame pads must be in place prior to tent assembly.

Protect the Tent and Trampoline

- ◆ No sharp or glass objects inside tent.
- ◆ No pets with claws inside tent.
- ◆ In high or gusty winds, take down tent and stake trampoline to the ground.

Table of Contents

| Content | Page |
|--|-------------|
| Warranty Information | 3 |
| Read this Manual Before You Begin | 4 |
| Trampoline Tent Safety Information | 5 |
| Need for Trampoline Tent Safety | 5 |
| Assemble the Tent Safely | 5 |
| Use the Tent Safely | 5 |
| Store the Tent Safely | 6 |
| Place the Trampoline in a Safe Place | 7 |
| How to Assemble the Tent | 7 |
| Before Assembling | 7 |
| Assembly Steps | 8 |
| Disassembly and Storage | 12 |
| To Store the Tent On the Side of the Trampoline | 12 |
| To Remove the Tent From the Trampoline | 12 |
| Care and Maintenance of the Tent and Trampoline | 13 |
| Special Considerations | 13 |
| Wind | 13 |
| Moving the Trampoline (and Attached Tent) | 13 |
| Ordering Replacement Parts | 14 |
| Drawing and Parts List | 15 |



READ THIS MANUAL

All Jumpking trampoline tents come equipped with important information regarding proper assembly, usage and safety procedures. This information must be read by all supervisors and trampoline users before allowing any person to use the tent.

WARRANTY INFORMATION

Jumpking, Inc. Limited Trampoline Warranty

Jumpking, Inc. (Jumpking) warrants its trampoline products to be free from defects in material and workmanship under normal use and service conditions. The various component parts of the trampoline are warranted against defects and workmanship as follows:

- A. Metal hardware - one year;
- B. Fiberglass shock cord poles - 90 days;
- C. Fabric and sewing - 90 days.

All warranty coverage extends only to the original retail purchaser from the date of purchase. Jumpking's obligation under this Warranty is limited to replacing or repairing, at Jumpking's option, the product at one of its authorized service centers. All products for which a warranty claim is made must be received by Jumpking at one of its authorized service centers, freight prepaid, and accompanied by sufficient proof of purchase. All returns must be preauthorized by Jumpking. Preauthorization may be obtained by calling Jumpking's Customer Service Department at 1-800-322-2211. This Warranty does not extend to any product or damage to a product caused by or attributable to freight damage, abuse, misuse, improper or abnormal usage, or repairs not provided by a Jumpking authorized service center or for products used for commercial or rental purposes. No other Warranty beyond that specifically set forth above is authorized by Jumpking.

JUMPKING IS NOT RESPONSIBLE OR LIABLE FOR INDIRECT, SPECIAL OR CONSEQUENTIAL DAMAGES ARISING OUT OF OR IN CONNECTION WITH THE USE OR PERFORMANCE OF THE PRODUCT OR OTHER DAMAGES WITH RESPECT TO ANY ECONOMIC LOSS, LOSS OF PROPERTY, LOSS OF REVENUE OR PROFITS, LOSS OF ENJOYMENT OR USE, COST OF REMOVAL, INSTALLATION OR OTHER CONSEQUENTIAL DAMAGES. SOME STATES DO NOT ALLOW THE EXCLUSION OR LIMITATION OF INCIDENTAL OR CONSEQUENTIAL DAMAGES. ACCORDINGLY, THE ABOVE LIMITATION MAY NOT APPLY TO YOU.

THE WARRANTY EXTENDED HEREUNDER IS IN LIEU OF ALL OTHER WARRANTIES AND ANY IMPLIED WARRANTY OF MERCHANTABILITY OR FITNESS FOR A PARTICULAR PURPOSE IS LIMITED IN ITS SCOPE AND DURATION TO THE TERMS SET FORTH HEREIN. SOME STATES DO NOT ALLOW LIMITATIONS ON HOW LONG AN IMPLIED WARRANTY LASTS. ACCORDINGLY, THE ABOVE LIMITATION MAY NOT APPLY TO YOU.

This warranty gives you specific legal rights. You may also have other rights which vary from state to state.

Copyright © 8/96 Jumpking, Inc.

BEFORE YOU BEGIN

Thank you for selecting a Jumping Trampoline Tent.

The Jumping Trampoline Tent is designed and crafted to provide you and your family with many years of backyard fun.

For your benefit and safety, read this manual carefully before anyone uses this trampoline tent. If you have additional questions, please call our Customer Service Department, toll-free, at **1-800-322-2211**, Monday through Friday, 8 a.m. until 5 p.m. Central Time (excluding holidays).

Read the safety information on this page and **fill out** the attached warranty card. **Mail** the card to JUMPKING. No Postage is required.



WARNING

To reduce the chance of death or serious injury, read the user's manual before you assemble or use the tent.

Adult Supervision

- ◆ Adult assembly required.
- ◆ Adult supervision required for children using tent.

Reduce the Chance of Fire, Burns, and Electrocutation

- ◆ No fires, flame or ignition sources, such as matches, lighters, candles, heaters, lanterns, or barbecues in, under, or near tent.
- ◆ No plug-in electrical devices. Do not use household electrical appliances inside the tent.
- ◆ Tent floor must be in place; trampoline mat (bed) is not flame retardant.

Keep all flame and heat sources away from this tent fabric

This tent is made with fire resistant fabric which meets CPAI-84 specifications. **It is not fire proof.** The fabric will burn if left in continuous contact with any flame. The application of any foreign substance to the tent fabric may render the flame resistant properties ineffective.

Protect Children

- ◆ Prevent falls and strangulation — Exit through the door only, and use caution.
- ◆ Assist young children in and out of tent.
- ◆ No jumping inside or climbing on top of tent.
- ◆ High temperatures can harm small children. On hot days, keep windows open to reduce heat build-up in tent.
- ◆ Frame pads must be in place prior to tent assembly.

Protect the Tent and Trampoline

- ◆ No sharp or glass objects inside tent.
- ◆ No pets with claws inside tent.
- ◆ In high or gusty winds, take down tent and stake trampoline to the ground.

Read all instructions thoroughly before you use this trampoline tent, or before you allow anyone else to use it.

Install this tent only on a trampoline that has been assembled correctly as specified by its manufacturer. The trampoline must be in good working order. This trampoline tent, when combined with a properly placed and well-maintained trampoline, will provide a recreational asset to any back yard.

Inspect the trampoline before each use of the tent, and replace any worn, defective, or missing parts.

Trampoline Tent Safety Information

Need for Trampoline Tent Safety

A trampoline tent is a recreational product. It is designed to be installed on the frame of a standard round trampoline 12 or 14 feet in diameter (depending on the model of the tent purchased). The tent makes an enclosed space.

The following information identifies important safety precautions. Some of these precautions apply to all kinds of tents, and some are unique to this trampoline tent. The list is not all-inclusive, because a tent can be used in ways that this manual cannot cover completely.

Assemble the Tent Safely

Detailed step-by-step instructions in this booklet describe how to assemble the tent. Adults, not children, must assemble the tent. Wear work gloves to protect your hands from pinch points during assembly. When you assemble the tent, the shock-corded fiberglass poles will be under some tension to keep the proper form of the tent. Keep children away from the trampoline tent while it's being assembled, and don't allow them to play with tent parts during assembly.

To prevent pinches and cuts during tent use, the frame pad must be installed on the trampoline. (See the trampoline manufacturer's instructions on how to do this.) The frame pad must be installed prior to erecting the tent. The frame pad reduces the chance of injury from accidental contact with the springs and frame.

In addition, **the circle of tent fabric with plastic hooks must be installed** on the trampoline mat (bed) as the tent floor. It is flame resistant, and its use makes the entire tent enclosure flame resistant.

Use the Tent Safely

Adult supervision of children

When children use the trampoline tent they must be supervised by adults. Young children must be supervised constantly. Adults must pay particular attention to —

- ◆The things children bring into the tent
- ◆Children's activities inside the tent
- ◆Conditions inside the tent when children are using it
- ◆The way children get into and out of the tent

Additional details of safe tent use are described below.

Trampoline mat (bed) is not flame resistant

All tents are required to be made of flame-resistant fabric that meets specific test requirements. Because the trampoline mat (bed) is not flame resistant, the tent must always be used with the flame-resistant tent fabric floor in place. The fabric for the trampoline tent and tent floor is flame resistant and meets CPAI-84 requirements.

Flame-resistant fabric is not fire proof

Keep all fires and flames (including grills and barbecues) away from the tent. No fires, flames, or other ignition sources are permitted in, under, or near the tent. Examples of these include cigarettes, lighters, matches, and lighted candles. In addition, lanterns (propane, butane, kerosene, gasoline), catalytic heaters, canned-heat units, and similar heating or lighting units should not be used.

Carbon monoxide poisoning hazard associated with tents

Just as with traditional tents, using heaters, grills, and other such products inside the trampoline tent poses a risk of carbon monoxide poisoning. Carbon monoxide is odorless and colorless. It is produced as oxygen levels drop during combustion from a fire or other heat sources in a tent that has insufficient ventilation. The carbon monoxide becomes trapped inside a closed tent.

Electrocution hazard associated with the metal frame of trampoline

The frame of the trampoline is made of metal. It is not grounded, and it will conduct electricity. Lights, electric heaters, extension cords, and household electrical appliances are not permitted in the trampoline tent.

Hazards associated with the raised tent floor

Unlike traditional tents, the floor of this tent does not rest on the ground. Instead, the trampoline tent floor provides a smoother, more comfortable surface than the ground. **The space under the tent** should not be used for storage or as a place for heaters or other sources of heat or flame.

A trampoline tent, which is raised off the ground, increases the **risk of a fall** when going out the tent door compared with tents that rest directly on the ground. Darkness increases the chances of a fall when getting in and out of the tent, so be especially cautious at night. Young children in particular may have difficulty getting in and out of the tent, especially after dark. If the tent is being used at night, provide a source of lighting near the tent door, or at least keep a flashlight in the tent to use to light the exit. Help young children to get in and out of the tent to reduce their risk of falling.

In addition to presenting a raised surface, the trampoline tent is unlike other types of tents because the floor is a separate piece from the rest of the tent. Even though the floor and walls are separate pieces, tent users, particularly young children, are not allowed to leave the tent by going out between the tent floor and the tent walls. Trying to exit in this way poses a **risk of strangulation** from being caught between the trampoline's frame and the tent wall. Only the door of the tent is to be used to enter and exit the tent.

Hazards associated with hot days

On hot days, it can get much hotter inside the tent than outside. Open the windows in the tent to reduce the heat. Small children can be harmed by high temperatures. The trampoline tent should not be used as a place for young children to nap when the weather is hot.

Hazards associated with jumping in, climbing on, or leaning against tent

Jumping in the tent can cause injury. No jumping is allowed in the tent.

Do not lean against or climb on the tent; it does not support weight. In addition to the risk of bodily injury, these types of activities may damage the tent itself.

Hazards associated with animals and sharp and glass objects

To avoid damage to the tent and trampoline, do not allow pets or other animals inside the tent. Their claws and teeth can damage the fabric.

Glass objects can break, producing small pieces that can cut people and the fabric of the trampoline and tent. Sharp objects such as knives and pens may also pose a risk of injury to people and to the trampoline and tent. Keep glass objects and sharp objects out of the trampoline tent.

Hazards associated with high winds

All tents used outside can be blown about in high winds, and this can potentially injure anyone in their path or inside a tent. Both the tent and the trampoline can be blown over in high or gusty winds. Under such conditions, take down the tent and stake the trampoline frame to the ground (see page 13 for details) or move it to a sheltered location.

Store the Tent Safely

The specific steps for storing the tent are presented later in the manual. There are some specific safety precautions to be aware of when storing the tent.

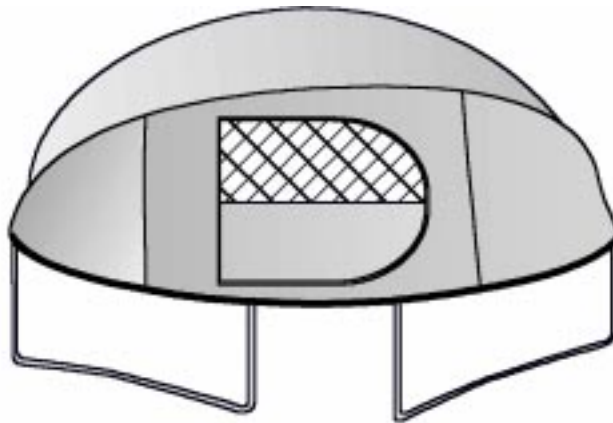
Avoid pinching your fingers by keeping them out from between the poles near the bracket assembly when you fold back the tent. If you store the tent in the attached tie string pouch on the trampoline, be sure that it is completely tucked under the trampoline, away from jumpers. Be sure to remove the tent floor before using the trampoline, because jumping on the tent floor may result in injury to the jumper and it may damage the tent floor. Once the tent floor is removed and before jumpers use the trampoline, inspect the trampoline mat (bed), and make sure it is clean and has no holes or tears.

Place the Trampoline in a Safe Place

There must be at least 24 feet (7.3 meters) of clear, open space above the trampoline. Do not place or store anything underneath the trampoline.

To avoid injury, the trampoline must be kept away from objects and possible hazards including electric power wiring, tree limbs, and fences. Do not place the trampoline near any other **recreational devices** or **structures** such as a swimming pool or swing set.

The trampoline must be placed on a **level surface** before use, and the area around the trampoline must always be **well lighted**.



How to Assemble the Tent

Adult assembly is required. Assembly requires a 9/16" socket and ratchet, or box-end wrench. The tent can easily be disassembled for compact and convenient storage (on or off the trampoline) when it is not being used. Read the assembly instructions before beginning to assemble the trampoline tent.

Before Assembling

The assembly instructions refer to parts by name and by part number. Please refer to page 15 for part descriptions and numbers.

Make sure that all parts listed in the parts list are included with the tent. Refer to page 14 for instructions on how to obtain missing parts.

No tools are provided for assembly. A 9/16" socket and ratchet, or box-end wrench are required to attach 2 pole support brackets to vertical support pieces (legs) of the trampoline frame.

Wear **work gloves to protect your hands** from pinch points during assembly and disassembly.

HINT

It is recommended that you read pages 8-11 before starting the assembly process. Pay special attention to orientation terms such as: door, 12 o'clock, yellow marked pole, interior/exterior, WARNING label.

ASSEMBLY STEPS

Read through all assembly steps carefully before beginning to assemble the tent. Refer to drawings for clarification. It is recommended that two people assemble this tent together.

A 9/16" socket and ratchet, or box-end wrench are required for assembly. Wear gloves while you assemble the tent. The trampoline will be used as an assembly "table" to keep the tent off the ground and to provide a frame of reference.

Remove any ladders or anything on the trampoline that will hinder assembling the tent on the trampoline mat (bed) or frame.

Step 1:

First verify that you have received all the tent parts. Use the shipping container to keep all the hardware together.

You should have the following pieces: (see page 15 for details). If you do not have the required parts then contact your dealer or JumpKing before proceeding (see page 14).

- 2 - pole attachment bracket assemblies.
- 2 - sliding - pole attachment pieces.
- 2 - long poles.
- 1 - short pole.
- 1 - tent with attached tie string pouch.
- 1 - tent floor.
- 1 - stuff sack

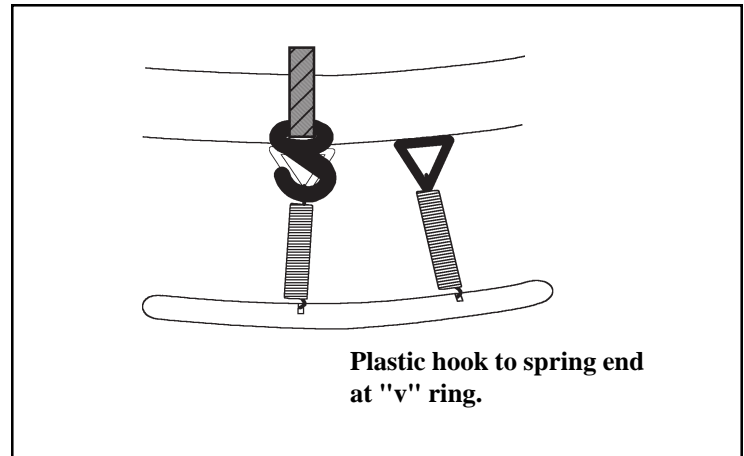


FIGURE 1

Step 2:

Make sure the frame pad is installed and secured properly to the trampoline top frame. First place the circular tent floor on the trampoline mat (bed). Attach the plastic hooks to the end of the springs where they attach to the "v" ring on the mat. Attach one hook and then stretch the floor and attach the next hook to the closest spring - continue this process evenly around the circumference of the mat. The tent floor must cover the mat (bed) smoothly and evenly (see Fig. 1).

Step 3:

Assemble the three poles by joining the sections together. These are slip joints. Do not force these joints together. The internal shock cord holds the poles somewhat rigidly together (see Fig. 2). **Be careful of the pole ends as they are a potential hazard (over head power lines, eyes) and are not easily controlled due to the pole length and flexibility.** After assembly they should be placed on the ground. After assembling the poles you should have two (2) long poles and one (1) shorter pole. The short pole is the middle support pole. One pole will have a yellow sticker on each end. **This is the 12 o'clock pole.**

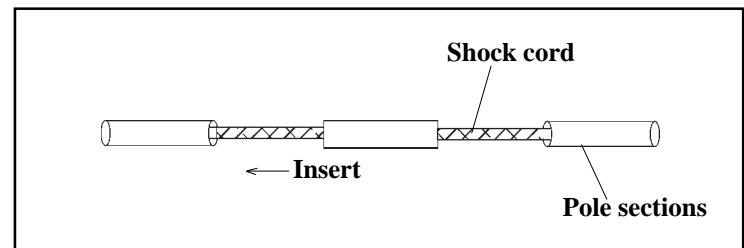


FIGURE 2

Step 4:

Place the tent on the mat (bed) and determine where you want the door of the tent to be located. The door is "D" shaped and has zippers on the outside. A WARNING label should be on the outside next to the door. This will be your tent access point. Now attach a tent pole support bracket assembly (see page Fig. 3 for assembly details - **make sure the curved part of the front piece is up against the top frame**) to a vertical leg that is at 90 degrees to the door (3 o'clock - see Fig 3). To attach the bracket will require tools. Tighten the bolts/nuts securely. A lock washer should be placed between the back piece and the securing nut. The bracket should be as close to the top frame as possible. The rotating pole dowels to which the tent poles will finally attach should be outside the frame (see Fig. 4). At 9 o'clock attach the second bracket to a vertical leg (see Fig. 3). Both assemblies should be aligned parallel and "snug" to the top frame.

Step 5:

Now arrange the tent on the mat (bed) of the trampoline so that **interior** side of the tent is **UP** and the pole sleeves are accessible. A WARNING label is on the **exterior** of the tent near the door. Locate the tent pole sleeves on the interior (side up) of the tent through which the poles will be inserted. Insert the short pole into the middle sleeve. Do not force the pole(s) through the sleeve(s). You will have to gather tent fabric together to ease the poles through the sleeves. **Put the long pole with the yellow stickers on the ends in the sleeve away from the door - this sleeve has yellow fabric at each end - this is the 12 o'clock pole.**

The other long pole goes into the sleeve at the door - 6 o'clock. Leave the pole ends exposed outside the tent fabric edge (see Fig.5). These poles are longer than the width of the trampoline and will be bowed to erect the tent. Now gather the tent together and turn the whole assembly over and rotate it so the door is back where you want it (6 o'clock) and all of the pole ends are close to the pole attachment brackets. Be careful to not tear the tent fabric on the springs.

At the 12 o'clock position - opposite the door loosely attach a velcro strap that is part of the tent bottom to the top frame. The strap should go over the top of the frame pad and wrap around the top tubular frame part. This strap will be at the mid-point of the window. This is to hold the tent down at that point until the poles are finally attached to the brackets and the tent is erected.

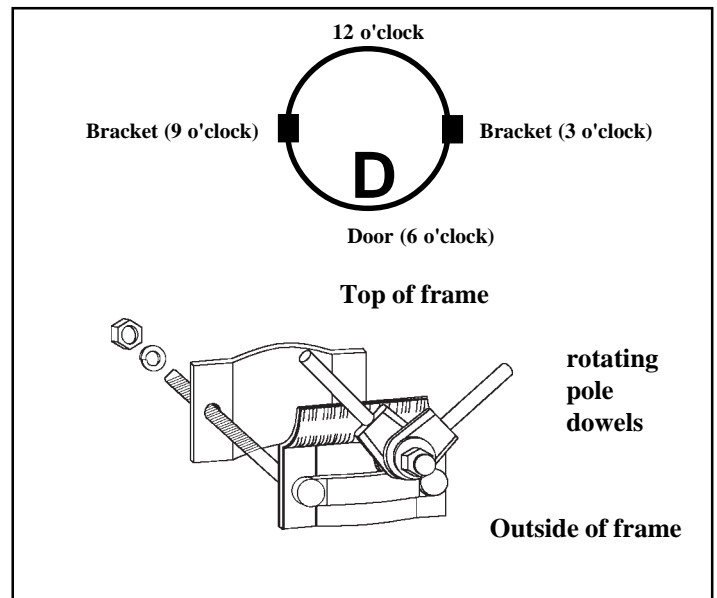


FIGURE 3

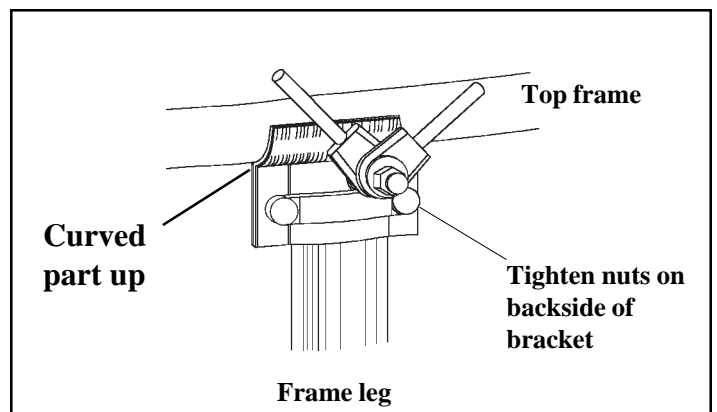


FIGURE 4

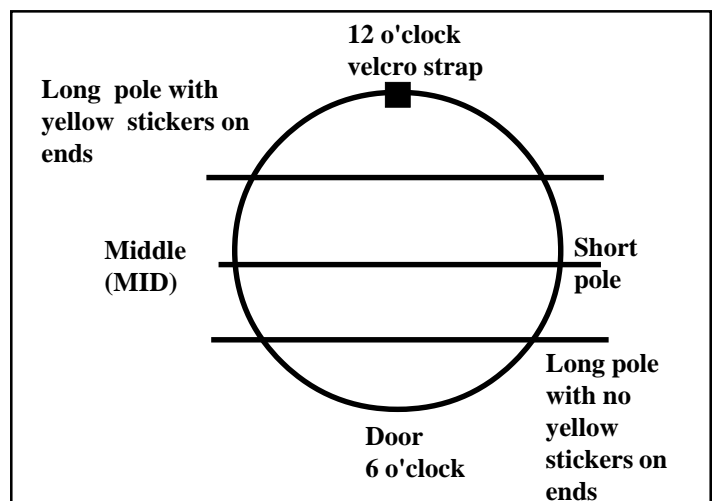


FIGURE 5

Step 6:

Find the two sliding pole attachment pieces. Put one on each end of the 12 o'clock pole - it has **yellow stickers** on the ends - and slide it up about 12 inches (see Fig. 7). This pole (12 o'clock pole) will attach to the outside male pole dowel (which is anodized yellow - gold) of the pole bracket. The middle pole will ultimately be attached to the sliding piece on the 12 o'clock pole.

Assembly of the 3 poles as attached to the bracket on the frame is straight forward as long as you look at the drawings and visualize the next few steps.

HINT

It may also help to place a drop of water on each pole dowel to help the pole end slide over the friction "o" ring that is on the pole dowel.

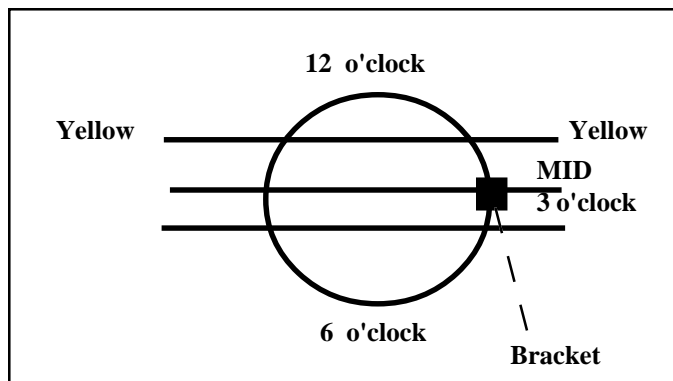


FIGURE 6

Step 7:

Face the three poles (at the 3 or 9 o'clock position) and the bracket. **Now "bunch" the poles and the tent to the 12 o'clock side of the trampoline mat (bed).** Keep aligned as yellow/12 o'clock, middle (MID), 6 o'clock. Poles should be fairly close together. As you attach (next steps) the poles to the pole dowels at the bracket and to the sliding piece - keep them **bowed to the 12 o'clock direction** and on that section (12 o'clock) of the trampoline mat.

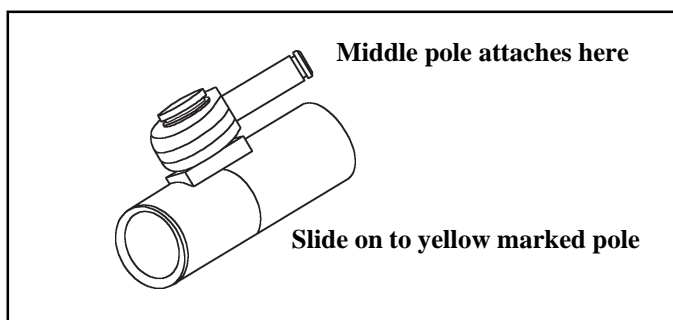


FIGURE 7

Step 8:

HINT

Look forward to Figures 8, 9, 10 before attaching the pole ends to their respective pole dowels which are on the brackets and sliding pieces. Try to see where the three pole ends on each side will be attached and how the final pole attachment assembly will look. This looking forward and attempting to see the final "picture" should help over the next few steps.

Take the ends of of the 12 o'clock - yellow marked pole and place it under the other two poles (see Fig. 8) and attach it to the **outside, yellow (gold) anodized**, pole dowel on the bracket (see Fig. 9 - next page). You will have to slightly bow each of the poles to make them fit onto the dowels. Be careful to not let the pole(s) spring out during this operation. **Attaching the yellow marked pole to the yellow (gold) anodized outside dowel is very important.**

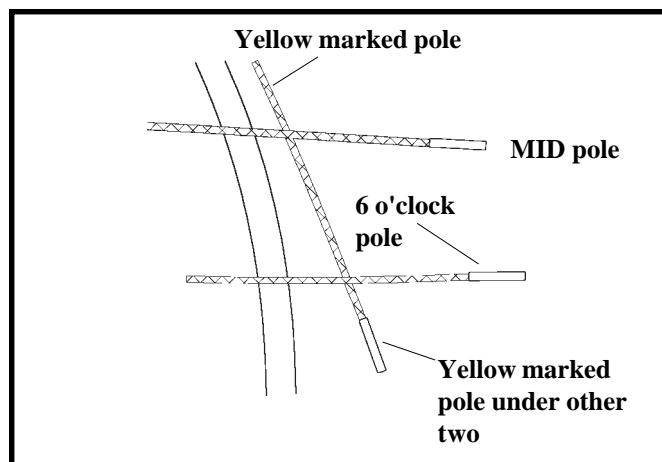


FIGURE 8

Step 9:

Take the end of the middle/short pole and place into the pole dowel of the sliding bracket on the yellow marked 12 o'clock pole.

Step 10:

Then attach the 6 o'clock pole to the **inside** bracket pole dowel. Do the same - at the other bracket at the 9 o'clock position. This should be the last pole to attach. Remember to **bow** the pole towards 12 o'clock as you attach it to the inside pole dowel.

You should now have all three poles attached to what is now called the **combination pole bracket assembly** (main bracket with two poles attached - both outside poles - 12 o'clock/yellow marked to outside, 6 o'clock to inside, MID pole attached to the sliding piece on 12 o'clock/yellow marked pole) - (see Fig. 9).

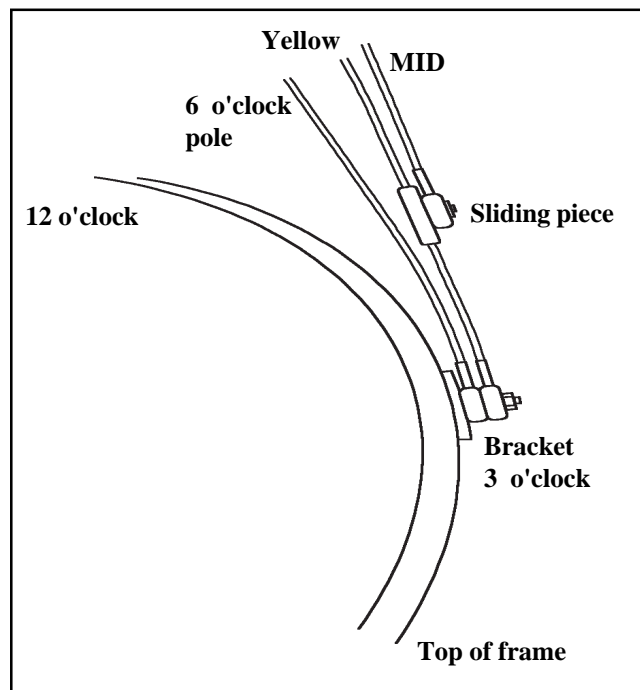


FIGURE 9

Step 11:

Now gently erect the tent by lifting all three poles (both sides) towards the 6 o'clock - door position.

You should have a three pole assembly centered at each bracket (see Fig. 10) with the edges of the tent evenly distributed around the circumference of the top trampoline frame.

One person should now hold the tent upright. Initially attach the velcro straps on each side of each pole bracket. This will center the fabric of the tent with respect to the frame. Then the other person should go around the tent/trampoline perimeter and attach the rest of the velcro hold down straps to the top frame (over the frame pad). Initially a loose tie down at several diagonal locations is recommended. Then a total "snug" tie down can be performed. You may have to try several "wrap" schemes for the velcro straps to get a snug fit.

The tent is now ready for use (see Fig 11).

Follow your trampoline manufactures directions for getting on and off the trampoline mat (bed) to enter the tent.

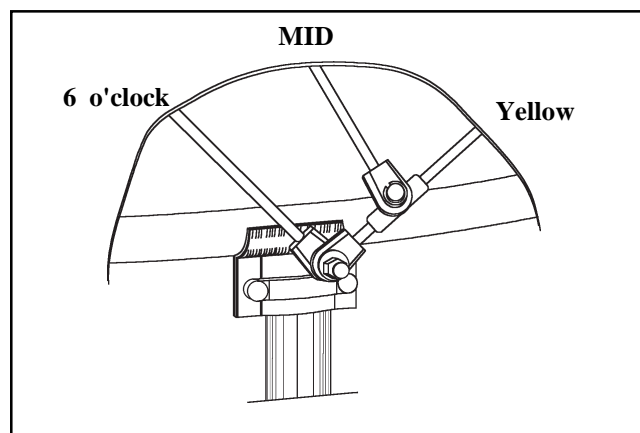


FIGURE 10

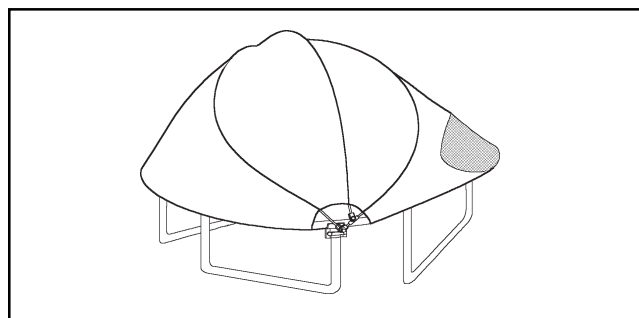


FIGURE 11

Disassembly and Storage

To store the tent on the side of the trampoline

The trampoline tent can be stored on the trampoline frame for short periods on non-use. This is done by folding the tent down and wrapping it in its attached tie string pouch. The pouch is an integral part of the tent (fabric/straps) and is on the rear window (opposite the door) side of the tent.

Enter the tent and tie down all windows. Exit the tent and zip the door closed.

Remove (unstrap) all the velcro straps on the front (door) side of the trampoline frame. This is the 3 o'clock to 6 o'clock to 9 o'clock part of the top frame. Also unstrap the velcro strap on the back side (away from door - 12 o'clock side) on each pole bracket. This will release all the tension on the tent and poles and allow you to properly lower the tent to the 12 o'clock position. Lower the tent to the 12 o'clock position.

Leaving the poles attached to the combination bracket assembly, gather the tent and poles together on the outside of the trampoline frame. You will have to slide the middle pole out (along the yellow pole) to align with the two longer poles at the edge of the frame. This is done by grasping the pole at the slider piece and moving it out along the yellow pole about one foot.

Gather the tent fabric and poles into a tight bundle and wrap the upper and lower flaps of the tie string pouch around the tight bundle. This is best done by first wrapping the lower flap up around the tent/pole bundle and then folding the longer upper flap around it. Tie the pouch closed with the tie strings provided. Tuck any loose protruding material into the pouch.

Remove the tent floor and store in a clean dry place.

Prolonged exposure to the sun and elements (especially ultraviolet rays) will shorten the life of the tent fabric. For longer tent life, store the tent in its tie string pouch during short periods of non-use. Remove the tent from the trampoline during inclement weather or during long periods of non-use. Once removed, store it in its stuff sack in a clean dry place.

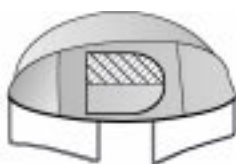
The trampoline is now ready for use as a trampoline. Trampoline users should get on and off of the half of the trampoline that does not have the stored tent. Follow all of the trampoline manufacturer's instructions on how to use the trampoline safely.

To put the tent back in service, install the tent floor over the mat (bed), then untie the tie string pouch, check the hardware brackets for tightness, erect the tent, and secure it with the velcro straps as per assembly Step 11 on page 11.

To remove the tent from the trampoline

Make sure the tent is dry before removing and storing. Reverse the order of the basic assembly process. Vertical frame brackets do not have to be removed but should be loosened and turned so the pole dowels are under the springs and out of the way. Store the tent in a safe, dry location.

Once the tent is stored, remove all items from the trampoline mat (bed). Make sure the mat (bed) is clean and that it has no tears or holes.



CARE AND MAINTENANCE FOR TENT AND TRAMPOLINE

To avoid damage to the tent or trampoline, do not allow pets or animals inside the tent.

Trampoline tent and mat (bed) can be damaged by sharp or glass objects. The user should remove all sharp objects, which may cause injury or damage to the trampoline mat (bed) or tent.

Appropriate shoes should be worn when inside the tent to reduce wear to the mat (bed). Follow the trampoline manufacturer's recommendations.

Chemicals such as hair spray and insect repellent are flammable. Keep these chemicals, along with food and beverages, away from the tent fabric and trampoline mat (bed). They can damage the fabric.

It is best to let the tent dry before storing it in its tie string pouch. The tent can become wet in rain or heavy dew.

Prolonged exposure to the sun, especially ultraviolet rays, will shorten the life of the tent fabric. For longer tent life, store the tent in its tie string pouch when it's not being used. A dry tent, properly stored, will provide the longest life of fabric, sewing, and hardware. Remove the tent from the trampoline during inclement weather or during periods of non-use.

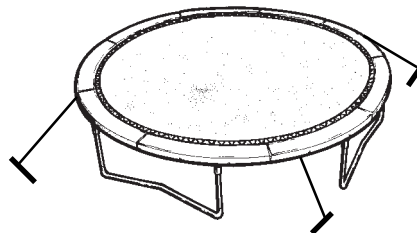
Do not force the zippers on the tent windows or door.

SPECIAL CONSIDERATIONS

Wind

High winds could overturn trampoline and blow down tent. Take down tent and stake trampoline in high or gusty winds.

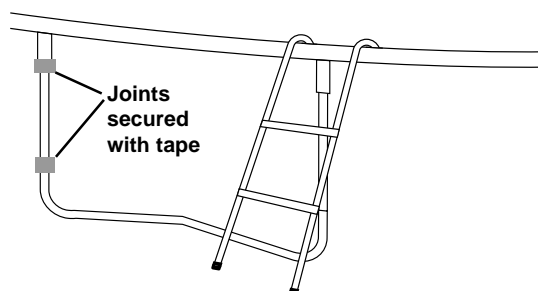
If you anticipate high winds, move the trampoline and tent to a sheltered location. Disassemble the tent, and tie the round outside portion (the top frame) of the trampoline to the ground using rope and stakes. Use at least 3 tie-downs. Do not simply secure the legs to the ground, because they can pull out of the frame sockets. The tent only attaches to the trampoline; there is no way to secure it to the ground.



Three point tie-down using rope and tent stakes.

MOVING the TRAMPOLINE (and ATTACHED TENT)

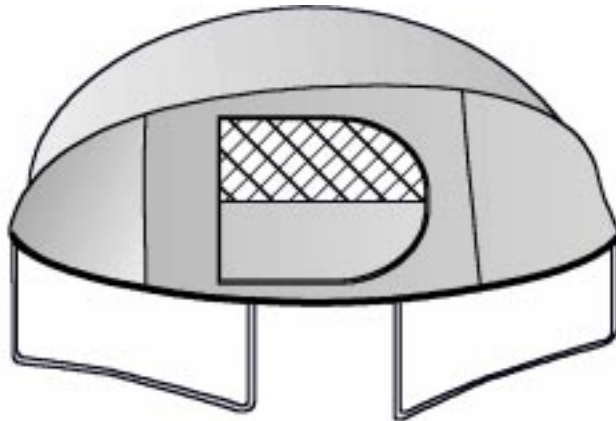
If you need to move your trampoline periodically, wrap (secure) all slip joints with a weather-resistant tape such as duct tape. This will keep the frame intact and keep the tubular elements from separating during the move. At least 2 people are needed to move the trampoline. The trampoline should be **kept horizontal and lifted slightly to move**. Disassemble the trampoline for any other kind of movement.



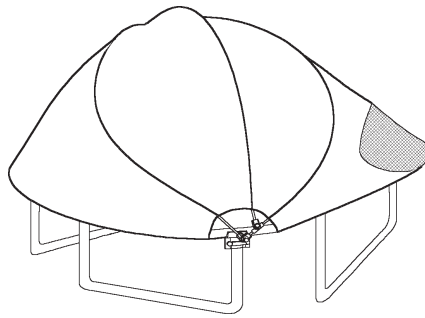
ORDERING REPLACEMENT PARTS

Replacement parts can be ordered by calling our Customer Service Department, toll-free, at 1-800-322-2211, Monday through Friday, 8 a.m. until 5 p.m. Central Time (excluding holidays). When ordering parts, please be prepared to give the following information:

1. The **NAME** and **MODEL NUMBER** OF THE PRODUCT.
2. The **PART NUMBER** (from page 15) .
3. The **DESCRIPTION** of the part (from page 15).
4. **Quantity** needed.
5. How to ship.

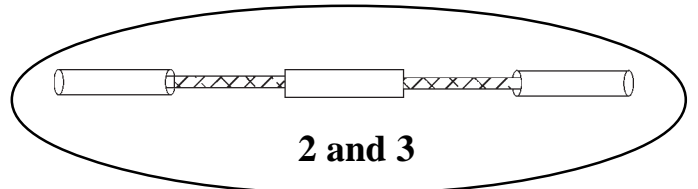
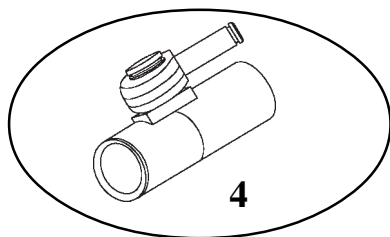
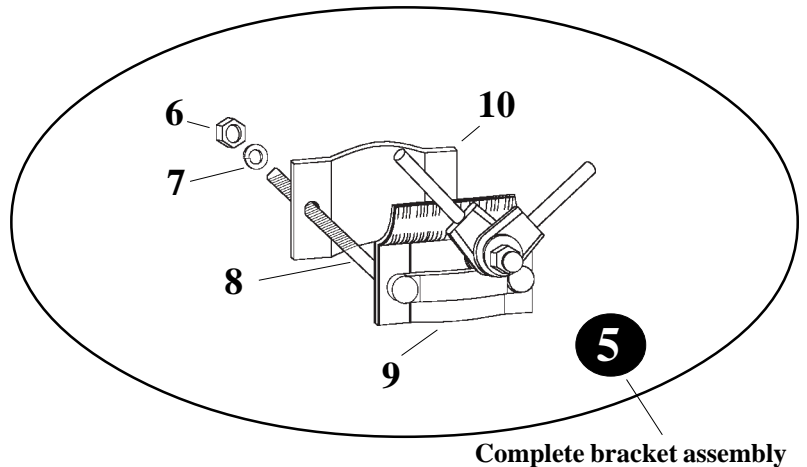
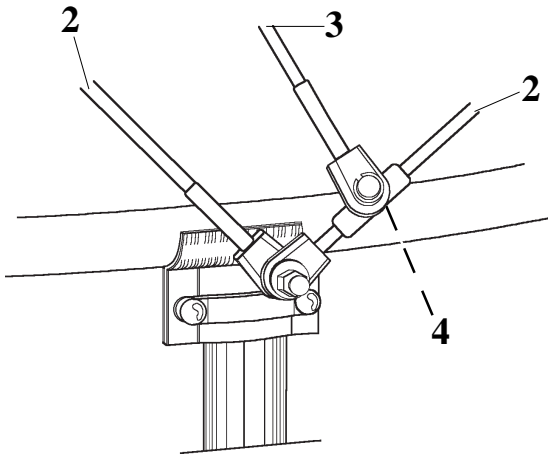


Parts Drawing for JKTR14T2, JKTR12T2 Trampoline Tent For 14' and 12' Diameter Trampolines

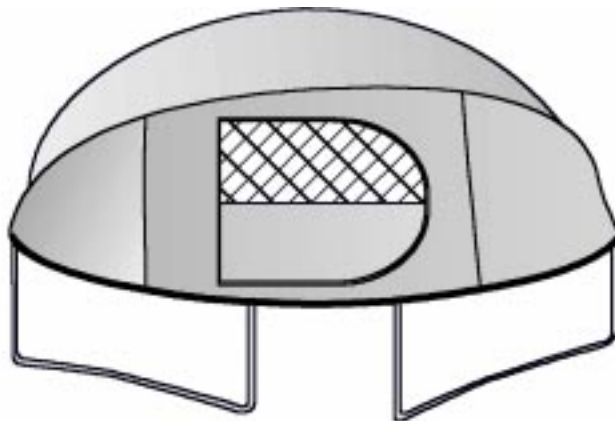


1

| ITEM | Drawing Reference Number | Quantity Required | Part Number by Model | |
|-------------------------------|--------------------------|-------------------|----------------------|----------|
| | | | JKTR14T2 | JKTR12T2 |
| Tent (fabric and straps) | 1 | 1 | 800505 | 800506 |
| Tent floor | Not shown | 1 | 800510 | 800511 |
| Long tent pole | 2 | 2 | 800520 | 800522 |
| Short (middle) tent pole | 3 | 1 | 800521 | 800523 |
| Sliding pole attachment piece | 4 | 2 | 800534 | 800534 |
| Complete bracket assembly | 5 | 2 | 800525 | 800526 |
| 3/8"-16 nut | 6 | 4 | 800541 | 800541 |
| 3/8" split washer | 7 | 4 | 800545 | 800545 |
| 3/8-1 1/4" carriage bolt | 8 | 4 | 800542 | 800542 |
| Front bracket assembly | 9 | 2 | 800530 | 800530 |
| Rear bracket | 10 | 2 | 800531 | 800532 |



JUMP KING



Jumpking, Inc.
901 W. Miller Road
Garland, Texas 75041
800-322-2211

As a manufacturer, we are committed to providing you complete customer satisfaction. If you have questions about this product, or find there are missing or damaged parts, we guarantee you complete satisfaction through direct assistance from our factory. TO AVOID UNNECESSARY DELAYS, PLEASE CALL DIRECT TO OUR TOLL-FREE CUSTOMER "HOT LINE". Let the trained technicians on our Customer "Hot Line" provide immediate assistance, free of charge to you. **Customer "Hot Line": 1-800-322-2211, Monday-Friday, 8 a.m. - 5 p.m. CST (excluding holidays).**