



# XDM7615

## INSTALLATION/OWNER'S MANUAL

AM/FM/CD/MP3/WMA Receiver  
with 2-Step Motorized Detachable Face





## Preparation

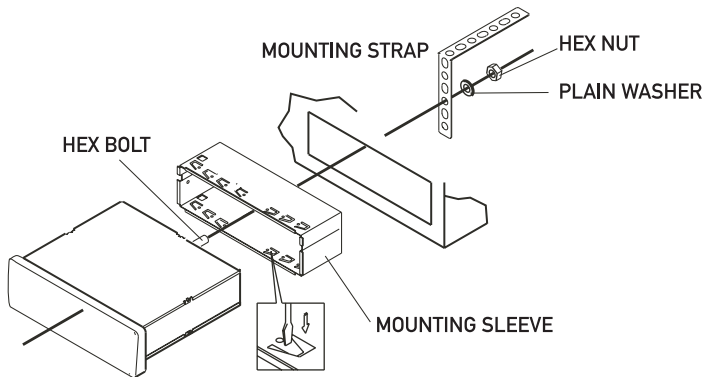
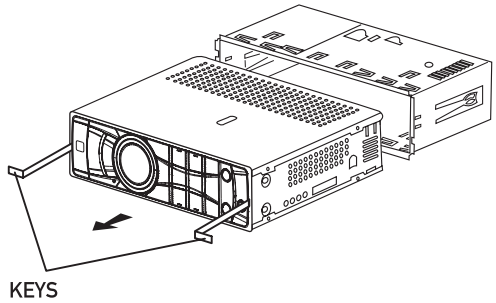
Please read entire manual before installation.

### Before You Start

- Disconnect negative battery terminal. Consult a qualified technician for instructions.
- Avoid installing the unit where it would be subject to high temperatures, such as from direct sunlight, or where it would be subject to dust, dirt or excessive vibration.

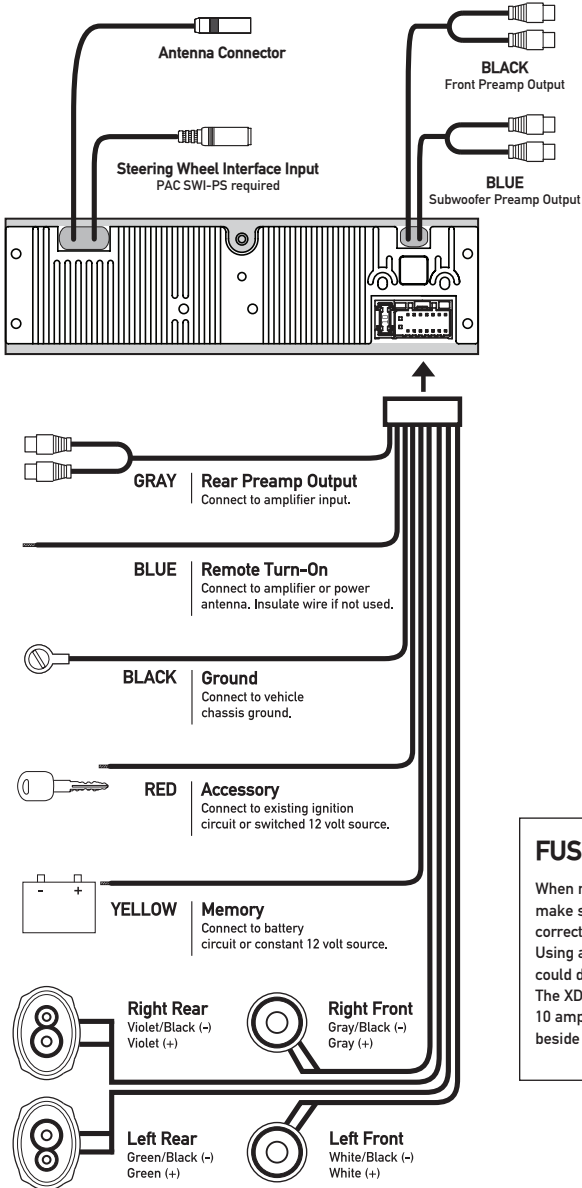
### Getting Started

- Remove trim ring from unit.
- Remove 2 transit screws located on top of the unit.
- Insert the supplied keys into the slots as shown, and slide the unit out of the mounting sleeve.
- Install mounting sleeve into opening, bending tabs to secure.
- Connect wiring harness and antenna. Consult a qualified technician if you are unsure.
- Certain vehicles may require an installation kit and/or wiring harness adapter (sold separately).
- Test for correct operation and slide into mounting sleeve to secure.
- Snap trim ring into place.



TYPICAL FRONT-LOAD DIN MOUNTING METHOD

# Wiring Diagram

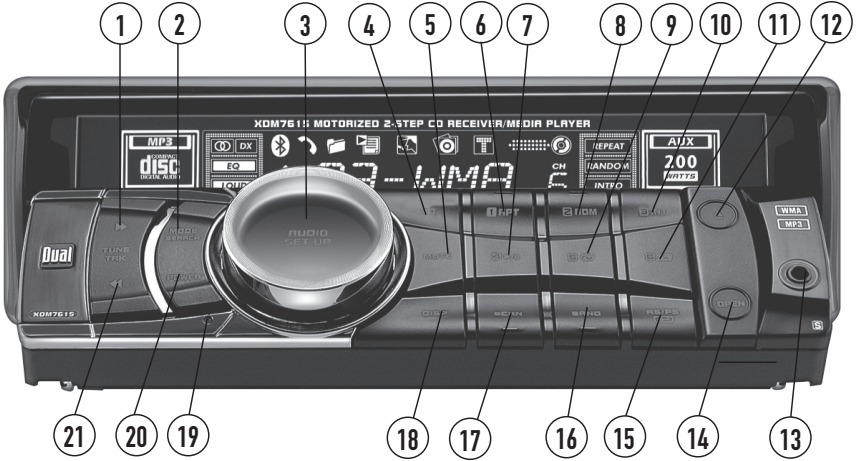


**FUSE**

When replacing the fuse, make sure new fuse is the correct type and amperage. Using an incorrect fuse could damage the radio. The XDM7615 uses one 10 amp ATM fuse located beside the wiring connector.

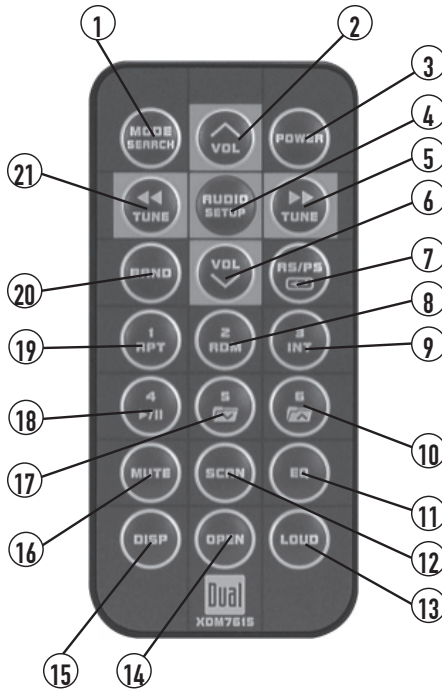


# Control Locations - Receiver



- |                        |                   |
|------------------------|-------------------|
| ① Tune/Track Up        | ⑫ Eject           |
| ② Mode/Search          | ⑬ Auxiliary Input |
| ③ Audio/Setup          | ⑭ Open            |
| ④ EQ                   | ⑮ AS/PS/Enter     |
| ⑤ Mute                 | ⑯ Band            |
| ⑥ Preset 1/Repeat      | ⑰ Scan            |
| ⑦ Preset 4/Play/Pause  | ⑱ Display         |
| ⑧ Preset 2/Random      | ⑲ Reset           |
| ⑨ Preset 5/Folder Down | ⑳ Power           |
| ⑩ Preset 3/Intro       | ㉑ Tune/Track Down |
| ⑪ Preset 6/Folder Up   |                   |

## Control Locations - Remote



- |                      |                        |
|----------------------|------------------------|
| ① Mode/Search        | ⑫ Scan                 |
| ② Volume Up          | ⑬ Loudness             |
| ③ Power              | ⑭ Open                 |
| ④ Audio/Setup        | ⑮ Display              |
| ⑤ Tune/Track Up      | ⑯ Mute                 |
| ⑥ Volume Down        | ⑰ Preset 5/Folder Down |
| ⑦ AS/PS/Enter        | ⑱ Preset 4/Play/Pause  |
| ⑧ Preset 2/Random    | ⑲ Preset 1/Repeat      |
| ⑨ Preset 3/Intro     | ⑳ Band                 |
| ⑩ Preset 6/Folder Up | ㉑ Tune/Track Down      |
| ⑪ EQ                 |                        |



## General Operation

<b>Front Panel Removal</b>	With the unit off, press <b>EJECT</b> to allow the front panel to slide down. Gently squeeze the release tab located on the bottom center underside and pull front panel down and away from unit to remove. To install, insert left side first, then push right side to secure.
<b>Power On/Off</b>	Press <b>POWER</b> or any other button (except <b>EJECT</b> or <b>OPEN</b> ) to turn the unit on. Press <b>POWER</b> to turn the unit off.
<b>Mode</b>	Press <b>MODE</b> to select between AM/FM, CD player and auxiliary input. Modes of operation are shown in the display.  <b>NOTE:</b> CD mode will not appear unless a CD is inserted.
<b>Auxiliary Input</b>	Insert a 3.5mm connector into the front panel AUX port. Connect the other end of the 3.5mm connector to the headphone output of an audio device, MP3 player, etc. Press <b>MODE</b> to select AUX mode.
<b>Steering Wheel Interface Input</b>	The steering wheel interface input located on the back of the head unit allows connection to the <b>Pacific Accessory Corporation (PAC) SWI-PS</b> interface module (sold separately). Visit <a href="http://www.pac-audio.com">www.pac-audio.com</a> for details.  To configure steering wheel controls, follow the instructions provided with the <b>PAC SWI-PS</b> interface module. After installing the interface module, insert the module's 3.5mm jack into the port on the back of the head unit.
<b>Volume</b>	Adjust volume using rotary encoder (00-46).
<b>Programmable Turn-On Volume</b>	Press and hold <b>POWER</b> for 2 seconds to program currently selected volume level. "P-VOL" and the current volume level will momentarily appear in the display.
<b>Preset EQ Curves</b>	Press <b>EQ</b> to select between POP, JAZZ, CLASSIC, BEAT, ROCK and OFF (default) equalization curves. Any adjustment to the Bass or Treble settings automatically cancels the current EQ curve (if one is selected).
<b>Display</b>	Press <b>DISP</b> to select between clock and different types of information, such as radio frequency, CD track/elapsed time or MP3/WMA song information.
<b>Reset</b>	Press <b>RESET</b> upon initial installation or if abnormal operation occurs. Reset button is located on the front panel.

## General Operation - Setup Menu

<b>Set the Clock</b>	With the unit on, press and hold <b>DISP</b> until the clock begins to flash, then release. Press <b>TUNE</b> ◀◀ to adjust the hours and <b>TUNE</b> ▶▶ to adjust the minutes. Press <b>DISP</b> momentarily to save the selected time.
<b>12/24-hour Clock</b>	The clock will display 12-hour AM/PM time in USA frequency spacing mode (PM 10:00). In European frequency spacing mode, the clock will display 24-hour time (22:00).
<b>Setup Menu</b>	Press and hold <b>SETUP</b> for more than 3 seconds to access the setup menu. Press <b>SETUP</b> momentarily to select between the menu functions and rotate the <b>rotary encoder</b> left/right to adjust or activate the desired function.

Menu Function	Options	Action
<b>Loudness Curve</b>	LOUD OFF	Disables the loudness function.
	LOUD ON	Enables the loudness function. Activating this feature will enhance the bass and treble frequencies when listening to music at low volumes.
<b>Tuner Frequency Spacing</b>	FREQ USA	Programs the unit to USA tuner spacing. (200kHz for FM and 10kHz for AM)
	FREQ EUR	Programs the unit to European tuner spacing. (50kHz for FM and 9kHz for AM)
<b>Clock Display</b>	CLK OFF	Programs the unit to not display the clock when the power is off.
	CLK ON	Programs the unit to display the clock when the power is off.
<b>Auxiliary Mode</b>	AUX ON	Enables access to auxiliary mode.
	AUX OFF	Disables access to auxiliary mode.
<b>Beep Confirmation</b>	BEEP OFF	Disables the confirmation beep.
	BEEP ON	Enables the confirmation beep.
<b>Local/Distance Tuning</b>	LOC OFF	Activates Distance tuning.
	LOC ON	Activates Local tuning for strong station reception only.
<b>Subwoofer Mode</b>	SB-W OFF	Disables the subwoofer RCA output.
	SB-W ON	Activates the subwoofer RCA output. Subwoofer control will be available in the audio menu.
<b>Power on Message</b>	MSG OFF	Disables power on message.
	MSG ON	Enables power on message to be displayed.
<b>Demonstration Mode</b>	DEMO ON	Enables the "BT READY AND IPOD READY" message.
	DEMO OFF	Disables the demonstration mode.



## General Operation

<b>Audio</b>	<p>Press <b>AUDIO</b> momentarily to select between Volume (default), Bass, Treble, Balance, Fader and *Subwoofer.</p> <p>→VOLUME →BASS→TREBLE→BALANCE→FADER→*SUBWOOFER→</p>
<b>Bass</b>	<p>Press <b>AUDIO</b> until <b>BAS</b> appears then rotate encoder left/right to adjust ( -6 minimum / +6 maximum).</p>
<b>Treble</b>	<p>Press <b>AUDIO</b> until <b>TRE</b> appears then rotate encoder left/right to adjust ( -6 minimum / +6 maximum).</p>
<b>Balance</b>	<p>Press <b>AUDIO</b> until <b>BAL</b> appears then rotate encoder left/right to adjust (BAL L 12-BAL 00-BAL R 12). BAL 00 represents equal balance</p>
<b>Fader</b>	<p>Press <b>AUDIO</b> until <b>FAD</b> appears then rotate encoder left/right to adjust (FAD F 12-FAD 00-FAD R 12). FAD 00 represents equal fader</p>
<b>Subwoofer</b>	<p>Press <b>AUDIO</b> until <b>SUB</b> appears then rotate encoder left/right to adjust (0 minimum / +12 maximum).</p> <p><b>Note:</b> Subwoofer option must be enabled before it will appear in the audio menu. Refer to page 7 for details.</p>
<b>Source Audio Memory</b>	<p>Individual Bass and Treble settings are retained in memory for AM, FM, CD or AUX modes. This allows you to save the Bass and Treble settings separately for each mode.</p> <p><b>Note:</b> Any adjustment to the Bass or Treble settings automatically cancels the current EQ curve (if one is selected).</p>





## AM/FM Tuner Operation

<b>Seek Tuning</b>	Press <b>TUNE</b> ◀◀ or <b>TUNE</b> ▶▶ momentarily to seek the next strong station.
<b>Manual Tuning</b>	Press <b>TUNE</b> ◀◀ or <b>TUNE</b> ▶▶ for more than 2 seconds, then release. "MANUAL" will momentarily appear in the display. Press <b>TUNE</b> ◀◀ or <b>TUNE</b> ▶▶ momentarily to move radio frequency up or down one step at a time. Press and hold to advance quickly. If tuning is not adjusted for 5 seconds, the unit will return to seek tuning mode (default). "AUTO" will momentarily appear in the display.
<b>Scan Tuning</b>	Press <b>SCAN</b> to preview strong stations on the current band, pausing for 5 seconds at each. Press <b>SCAN</b> again to cancel.
<b>Band</b>	Press <b>BAND</b> to select between FM1, FM2, FM3, AM1 and AM2 bands.
<b>Storing and Recalling Station Presets</b>	Up to 18 FM stations and 12 AM stations can be stored. To store a station, select the desired band and station. Press and hold the desired preset button (1-6) for more than 2 seconds. When stored, the preset number will appear in the display. The station can be recalled anytime by pressing the corresponding preset button.
<b>Automatically Store Stations</b>	Press <b>AS/PS</b> for more than 2 seconds to automatically store the six strongest stations in the current band. Automatic Local tuning is activated during the initial band scan.
<b>Preset Scan</b>	Press <b>AS/PS</b> for less than 2 seconds to scan presets 1-6 on the current band, pausing for 5 seconds at each. Press <b>AS/PS</b> again to cancel.



## CD Player Operation

<b>Insert CD</b>	Press <b>EJECT</b> to access the CD slot. With the label facing up, insert a standard size CD into the CD slot. The CD will automatically begin playback.
<b>Eject CD</b>	Press <b>EJECT</b> to eject the CD. The unit will change to previous mode of operation (AM, FM or auxiliary input). If the disc is not removed within 10 seconds, the unit will reload the disc. The unit does not have to be turned on to eject CD.
<b>Track Select</b>	Press <b>TRACK</b> ►► to skip to the beginning of the next track. Press <b>TRACK</b> ◄◄ to return to the beginning of the current track. Pressing <b>TRACK</b> ◄◄ again skips to the beginning of the previous track.
<b>Fast Forward and Reverse</b>	Press and hold <b>TRACK</b> ►► or <b>TRACK</b> ◄◄ to fast forward or reverse a track.
<b>Pause</b>	Press ►/    to temporarily stop CD playback. Press ►/    again to resume playback.
<b>Scan</b>	Press <b>INT</b> to play the first 10 seconds of each track. Press <b>INT</b> again to cancel.
<b>Repeat</b>	Press <b>RPT</b> to continuously repeat selected track. Press <b>RPT</b> again to cancel.
<b>Random</b>	Press <b>RDM</b> to play all tracks in random order. Press <b>RDM</b> again to cancel. Random mode is retained in memory when selecting between AM/FM tuner, CD player and auxiliary input modes and when the unit is turned off/on.
<b>CD-R/CD-RW Compatibility</b>	<p>Some CD-Rs and CD-RWs may be incompatible with this unit, depending on media type and recording method. In addition, the following CDs may be incompatible with this unit:</p> <p>CDs exposed to extreme temperatures or direct sunlight for extended periods of time, CDs recorded in which a recording session failed or a re-recording was attempted and, or encrypted or copy-protected CDs which do not conform to the audio CD-DA red book recording standard.</p>

## CD Player Operation - MP3/WMA Files

### Playing an MP3/WMA Disc

When an MP3/WMA encoded disc is first inserted, "READING" will appear in the display. Depending on the number of files and folders, this may take several seconds.

### Displaying Information

Press **DISP** to select between track number/elapsed time (default), clock, track name, directory name, title, artist and album.

"NO ID3 TAG" will be displayed if the MP3 file contains no ID3 tag information.

"UNKNOWN" will be displayed if the WMA file contains no WMA tag information.

"ROOT" will be displayed if the directory name of a root folder is not labeled.

**Title Icon** 

This icon will illuminate when the song title is displayed.

**Artist Icon** 

This icon will illuminate when the artist name is displayed.

**Album Icon** 

This icon will illuminate when the album name is displayed.

**Folder Icon** 

This icon will illuminate when the directory name is displayed.

### Character Support

Maximum character display information

- Track name – 32 character maximum
- Directory name – 23 character maximum
- \*Song title – 30 character maximum
- \*Artist name – 30 character maximum
- \*Album name – 30 character maximum

\*Song title, Artist Name, and Album name, will only be displayed if included with the MP3/WMA file.





When referring to MP3/WMA playback, the following terms are synonymous:

- File name and track name
- Folder name and directory name





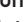


## CD Player Operation - MP3/WMA Files

Refer to the following button function table when selecting, searching or navigating MP3/WMA files and folders:

<b>Direct File Select</b>	
<b>Step 1</b>	Press <b>SEARCH</b> for more than 3 seconds, then release. "MP3 T*" or "WMA T*" will flash in the display. Use the buttons in the above table (3 keystroke maximum input), or the rotary encoder to enter the desired file number.
<b>Step 2</b>	Press  to confirm the selected file number or wait for the input cycle to time out (approximately 5 seconds). If the file is not available, "NO FILE" will be displayed momentarily and the current file will continue to play.
<b>File/Folder Navigate</b>	
<b>Step 1</b>	Press <b>SEARCH</b> for more than 3 seconds, then release. Press <b>SEARCH</b> again to navigate files/folders on the disc. The current folder name will scroll one time followed by available files and folders.
<b>Step 2</b>	Turn the rotary encoder to preview files/folders in the current folder. If a folder is selected, the  icon will illuminate.
<b>Step 3</b>	Press  to select the desired file or folder. If a folder is selected, "/" will be displayed. Turn the rotary encoder to the right to begin searching files in the folder.
<b>Step 4</b>	Press  to select the desired file within the folder.
<b>*Folder Access (Up one level)</b>	When navigating folders (and "/" is displayed), press <b>AUDIO</b> to access the previous level (up one level). *Only available on MP3/WMA discs recorded with more than one folder.

## CD Player Operation - MP3/WMA Files

<b>Navigating Note</b>	After navigating by direct select or file/folder navigate modes, the track number and elapsed time will be displayed by default. Press <b>DISP</b> momentarily to select clock, track name, directory name, title, artist and album.
<b>*Folder Access</b>	<p>Press  to select the previous folder.          Press  to select the next folder.</p> <p>*Folder access is only available on MP3/WMA discs recorded with more than one folder.</p>
<b>File Repeat</b>	Press <b>RPT</b> momentarily to continuously repeat selected file. Press <b>RPT</b> again to cancel.
<b>Folder Repeat</b>	Press <b>RPT</b> for more than 2 seconds to consecutively repeat all files in the current folder only. The  icon will appear in the display when in folder repeat mode. Press <b>RPT</b> again to cancel.
<b>Disc Random</b>	Press <b>RDM</b> momentarily to play all files on entire disc in random order. Press <b>RDM</b> again to cancel.
<b>Folder Random</b>	Press <b>RDM</b> for more than 2 seconds to play all files in current folder only in random order. The  icon will appear in the display when in folder random mode. Press <b>RDM</b> again to cancel.
<b>Disc Intro</b>	Press <b>INT</b> momentarily to play the first 10 seconds of each file on the entire MP3/WMA disc. Press <b>INT</b> again to cancel.
<b>Folder Intro</b>	Press <b>INT</b> for more than 2 seconds to play the first 10 seconds of each file in the current folder only. The  icon will appear in the display when in folder intro mode. Press <b>INT</b> again to cancel.
	<p><b>Note:</b>          File repeat (current folder only), folder random and folder intro is only available on MP3/WMA discs recorded with more than one folder.</p>



## CD Player Operation - MP3/WMA Files

<b>Media Compatibility</b>	<p>The following types of discs/files are compatible:</p> <ul style="list-style-type: none"><li>• CD-ROM (ISO), CD-R, CD-RW</li><li>• CD-DA</li><li>• MP3 data</li><li>• WMA data</li></ul> <p>The following types of discs/files are not compatible:</p> <ul style="list-style-type: none"><li>• WMA files that are protected by DRM (Digital Rights Management).</li><li>• WMA lossless format</li><li>• Discs recorded with Track At Once or packet writing</li><li>• MP3 PRO format</li><li>• MP3 playlists</li><li>• WAV format</li></ul>
<b>Playback Order</b>	<p>MP3/WMA playback sequence is based on recorded order of files and begins in the root folder of the disc. Any empty folders or folders that do not include MP3/WMA files are skipped. This unit may not play files in the order they were recorded in. Refer to your recording software's user's manual for more information.</p>
<b>Compatible Recording Formats</b>	<ul style="list-style-type: none"><li>• ISO9660 level 1</li><li>• ISO9660 level 2</li><li>• Yellow Book MODE 1</li><li>• Yellow Book MODE 2 FORM 1</li><li>• Multi session</li><li>• Maximum folders and files - 256</li><li>• Maximum folder levels - 8</li><li>• MPEG-1/2/2.5 Audio Layer-3</li></ul> <p>ISO9660 standards:</p> <ul style="list-style-type: none"><li>• Maximum nested folder depth is 8 (including the root folder).</li><li>• Valid characters for folder/file names are letters A-Z (all caps), numbers 0-9, and “_” (underscore). Some characters may not be displayed correctly, depending on the character type.</li><li>• This device can play back discs in Joliet, Romeo, and other standards that conform to ISO9660. MP3/WMA written in the formats other than the above may not play and/or their file names or folder names may not be displayed properly.</li></ul>



## CD Player Operation - MP3/WMA Files

### Additional MP3/WMA Information

An internal buffer provides ESP (Electronic Skip Protection) to virtually eliminate skipping.

When playing a disc recorded with regular audio files (CD-DA or .WAV) and MP3/WMA files, the unit will play the MP3/WMA files only.

Only MP3 files with filename extension (.mp3) can be played. Only WMA files with filename extension (.wma) can be played.

Do not attempt to play discs which contain non-MP3/WMA files with the MP3/WMA extension.

### Sampling Frequency Rates

**MP3** 8kHz ~ 48kHz

**WMA** 32kHz ~ 48kHz

### Transfer Bit rates

**MP3** 32kbps ~ 320kbps constant  
Variable bit rates

**WMA** 32kbps ~ 192kbps constant  
Variable bit rates

Note:

Some files may not play or be displayed correctly, depending on sampling rates and bit rates.

### MP3 Tag Display

ID3 tags Version 1.x  
This model will not display ID3 Version 2.0 or greater tags.

### Recommended Settings

For best results, use the following settings when burning an MP3 disc:

128kbps or higher constant bit rate  
44.1kHz or higher sampling frequency

For best results, use the following settings when burning a WMA disc:

64kbps or higher constant bit rate  
32kHz or higher sampling frequency



## Limited One Year Warranty

This warranty gives you specific legal rights. You may also have other rights which vary from state to state.

Dual Electronics Corp. warrants this product to the original purchaser to be free from defects in material and workmanship for a period of one year from the date of the original purchase.

Dual Electronics Corp. agrees, at our option, during the warranty period, to repair any defect in material or workmanship or to furnish an equal new, renewed or comparable product (whichever is deemed necessary) in exchange without charges, subject to verification of the defect or malfunction and proof of the date of purchase. Subsequent replacement products are warranted for the balance of the original warranty period.

**Who is covered?** This warranty is extended to the original retail purchaser for products purchased and used in the U.S.A.

**What is covered?** This warranty covers all defects in material and workmanship in this product. The following are not covered: installation/removal costs, damage resulting from accident, misuse, abuse, neglect, product modification, improper installation, incorrect line voltage, unauthorized repair or failure to follow instructions supplied with the product, or damage occurring during return shipment of the product.

### What to do?

1. Before you call for service, check the troubleshooting guide in your owner's manual. A slight adjustment of any custom controls may save you a service call.
2. If you require service during the warranty period, you must carefully pack the product (preferably in the original package) and ship it by prepaid transportation with a copy of the original receipt from the retailer to an authorized service center.
3. Please describe your problem in writing and include your name, a return UPS shipping address (P.O. Box not acceptable), and a daytime phone number with your shipment.
4. For more information and for the location of the nearest authorized service center please contact us by one of the following methods:
  - Call us toll-free at 1-866-382-5476
  - E-mail us at [cs@dualav.com](mailto:cs@dualav.com)

**Exclusion of Certain Damages:** This warranty is exclusive and in lieu of any and all other warranties, expressed or implied, including without limitation the implied warranties of merchantability and fitness for a particular purpose and any obligation, liability, right, claim or remedy in contract or tort, whether or not arising from the company's negligence, actual or imputed. No person or representative is authorized to assume for the company any other liability in connection with the sale of this product. In no event shall the company be liable for indirect, incidental or consequential damages.



## Troubleshooting

Problem	Cause	Action
Unit will not turn on (no power)	Yellow wire not connected or incorrect voltage Red wire not connected or incorrect voltage	Check connections for proper voltage (11~16VDC)
	Black wire not connected	Check connection to ground
	Fuse blown	Replace fuse
Unit has power (but no sound)	Speaker wires not connected	Check connections at speakers
	One or more speaker wires touching each other or touching chassis ground	Insulate all bare speaker wires from each other and chassis ground
Unit blows fuses	Yellow or red wire touching chassis ground	Check for pinched wire
	Speaker wires touching chassis ground	Check for pinched wire
	Incorrect fuse rating	Use fuse with correct rating
Excessive skipping	Unit is not mounted correctly or backstrap is not secure	Check mounting sleeve and backstrap support
	Physical defect in media (CD, CD-R or CD-RW)	Check media for scratches
ERROR-01 appears on display	Disc read error	Press eject or RESET
ERROR-02 appears on display	Focus error or disc is in upside down	Press eject or RESET
PROTECT appears on display	The WMA file is copy-protected by DRM (Digital Rights Management)	Write disc using WMA files that are not copy-protected
NO FILE appears on display	Selected file is not available in direct or alphanumeric search modes	Repeat search using valid parameters
INVALID appears on display	The file format is incompatible	Write disc using valid audio files with .mp3 or .wma file extensions
Unit will not accept a disc	CD mechanism position out of alignment	Press and hold EJECT for 3 seconds to reset CD mechanism position
	CD transit screws still in place	Remove 2 transit screws located on top of the unit



## Specifications

<b>CD Player</b>	Frequency response: <b>10Hz-20kHz</b> Channel separation @ 1kHz: <b>&gt;65dB</b> D/A converter: <b>1 Bit</b>
<b>FM Tuner</b>	Tuning range: <b>87.5MHz-107.9MHz</b> Usable sensitivity: <b>8.5dBf</b> 50dB quieting sensitivity: <b>10dBf</b> Stereo separation @ 1kHz: <b>40dB</b> Frequency response: <b>30Hz-13kHz</b>
<b>AM Tuner</b>	Tuning range: <b>530kHz-1710kHz</b> Usable sensitivity: <b>22uV</b> Frequency response: <b>30Hz-2.2kHz</b>
<b>General</b>	Operating voltage: <b>11-16 VDC, negative ground</b> Speaker output impedance: <b>4~8 ohms</b> Line output voltage: <b>2 Volts</b> Dimensions: <b>7" x 7" x 2" (178 x 178 x 51 mm)</b>

Design and specifications subject to change without notice.



### CEA-2006 Power Standard Specifications (reference: 14.4VDC +/- 0.2V, 20Hz~20kHz)

Power Output: 17 Watts RMS x 4 channels at 4 ohms and  $\leq 1\%$  THD+N  
Signal to Noise Ratio: 80dBA (reference: 1 watt into 4 ohms)





**Dual Electronics Corp.**  
**Toll Free: 1-866-382-5476**

[www.dualav.com](http://www.dualav.com)  
©2008 Dual Electronics Corp. All rights reserved.

Windows Media and the Windows logo are trademarks, or registered trademarks of Microsoft Corporation in the United States and or other countries.

Other trademarks and trade names are those of their respective owners.

NSA0608-V02