



# Bayside™ Family Dome with Pet Den 15'x10'

## Instructions apply to Part Number 9277A151

### When You Are Ready To Set Up Your Tent

- Select a level campsite clear of rocks, branches and other hard or sharp objects.
- Do not set up your tent under trees.
- For best results in windy conditions, position the end of tent into the wind.

Main Tent Poles (Black)

Part No. 9277A3301

Side Poles (Grey)

Part No. 9277A3501

Pet Den Pole

Part No. 9277A3401

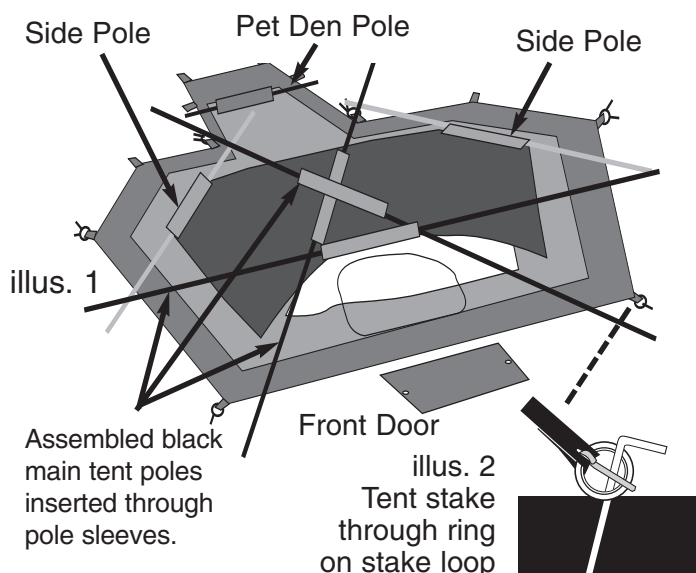
Rainfly Pole

Part No. 9277A3601

Rainfly Part No. 9277A3701

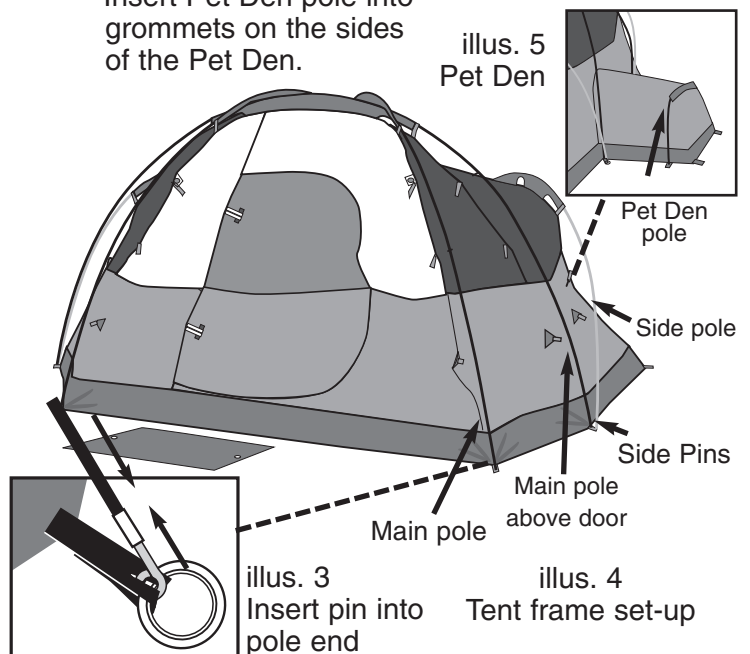
## 1 Layout & Positioning of Tent, Pole Assembly

- Layout and position tent with door facing desired direction. (illus. 1)
- Unzip door.
- Stake down tent, using the rings on the stake loops and the corner fabric loops. Keep the floor taut. (illus. 2)
- Assemble frame poles by interlocking shock-corded poles. (3 main poles, 2 side poles, 1 Pet Den pole)
- Insert one main tent pole through the pole sleeve above the front door. Insert the other two main poles through the pole sleeves angling front to back, they will cross each other. (illus. 1)
- Insert two (Grey) side poles through the pole sleeves toward the back corners of the tent.
- Insert Pet Den pole through pole sleeve at rear of tent.



## 2 Connect Frame to Tent

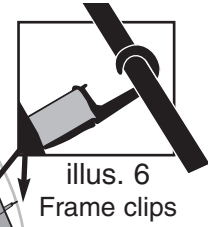
- Insert pin into the ends of the main tent poles at the rear of the tent on either side of the Pet Den. (illus. 3, illus. 4) Go to opposite end of pole and gradually apply pressure to the pole forming an arch until you are able to insert the pin at the front tent corner, into the pole end. (works best standing in the open door way, with two people) Repeat for second pole.
- Insert pin on the side tent into the end of the main pole running above the front door. Go to opposite end of pole and gently apply pressure to the pole forming an arch until you can insert the side pin into the pole end. (illus. 3), (illus. 4)
- Insert other side pin into grey side pole end and gently apply pressure to the pole, forming an arch until you can insert the pin at the rear of tent into the pole end. (illus. 4), (illus. 5)
- Insert Pet Den pole into grommets on the sides of the Pet Den.



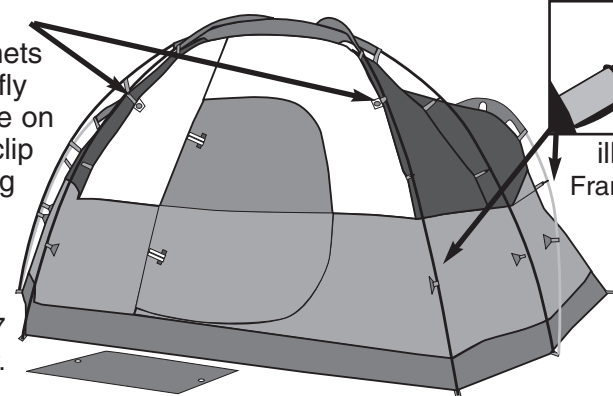
# 3 Attach Tent to Frame Using Frame Clips

- Attach frame clips along the edges of tent to frame poles. (illus. 6), (illus. 7)
- Make any adjustments to the tent corner stakes that are needed.

**NOTE:**  
Grommets for rainfly pole are on frame clip webbing



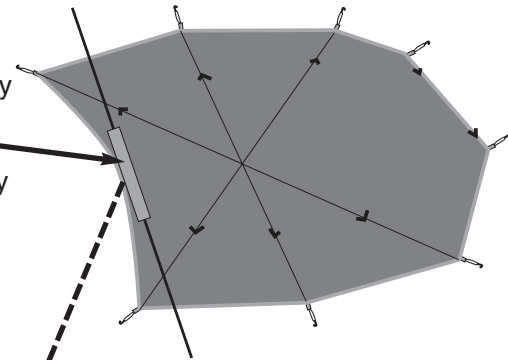
illus. 7  
Assembled tent without rainfly.



# 4 Attach Rainfly

- Assemble rainfly pole by interlocking shock-corded pole.
- Insert rainfly pole through pole sleeve at the center of the front curved edge on the underside of rainfly. (illus. 8), (illus. 10)
- Drape rainfly over tent frame, pole side down. Rainfly pole should be over front door.
- Connect the eight elastic loops with hooks, (found at the rainfly corners) to the eight fabric loops on the bottom row of frame clips. (illus. 9), (illus. 10)
- Insert the tips of the rainfly poles into the grommets on the front of tent. (See above illus. 7)
- Secure rainfly with attachments located on underside of fly. (illus. 9)
- Attach and stake out 4 guy lines at the front and rear of tent.

illus. 8 Insert rainfly poles through the pole sleeve on underside of rainfly



Rainfly pole in grommet

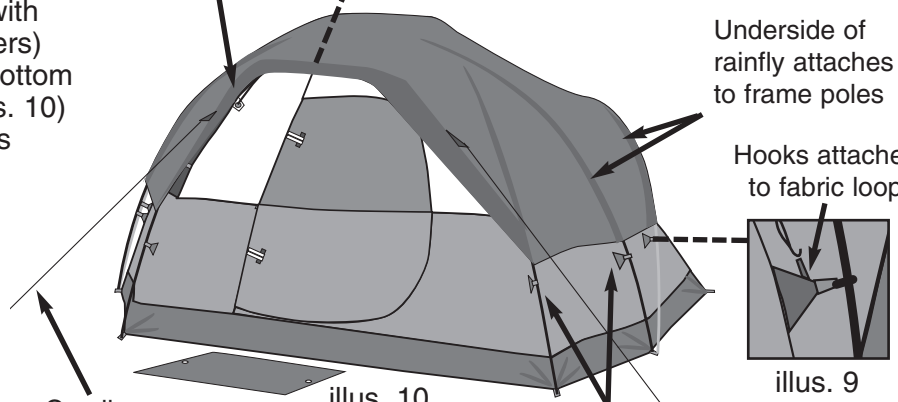
Underside of rainfly attaches to frame poles

Hooks attaches to fabric loop

Guy line

illus. 10  
Completed tent with rainfly.

Rainfly hooks attach to fabric loops on the corner frame clips (illus. 9)



## Things You Should Know

- Under certain conditions (cold weather, high humidity, etc.) condensation will form on the inside surfaces of your tent. Condensation is caused by water vapor from your breath, perspiration, or any wet clothing inside your tent. It is NOT LEAKAGE through the tent fabric. It can be minimized by removing wet clothing from your tent and by providing good ventilation through the tent.
- Never store tent, even for a short period of time, without drying it thoroughly and brushing off caked dirt. Do not pack stakes or poles inside your tent. Use a separate storage bag.
- STAKES SHOULD BE REMOVED BY PULLING ON THE STAKE ITSELF. NEVER PULL ON THE TENT FABRIC OR TENT STAKE LOOP TO REMOVE STAKE.
- TENT POLES SHOULD NOT BE LEFT TELESKOPED TOGETHER DURING STORAGE.
- Seam sealer has not been provided with your tent. For additional protection we recommend seam sealing your tent prior to camping. Seam sealer may be purchased through your local retailer or at your local sporting goods store.

- Do not leave your tent set-up for weeks at a time, be aware that exposure to the ultraviolet rays of the sun can seriously damage material and/or cause it to become discolored.

**WARNING: KEEP ALL FLAME AND HEAT SOURCES AWAY FROM THIS TENT FABRIC.** This tent meets the flammability requirements of CPAI-84. The fabric will burn if left in continuous contact with any flame source. The application of any foreign substance to the tent fabric may render the flame-resistant properties ineffective.



THE COLEMAN CO., INC.  
3600 N. Hydraulic • Wichita, Kansas 67219  
1-800-835-3278 • www.coleman.com