



Eagle Rock™ 9'6" x 7'

Instructions apply to Part Number 9277G957

When You Are Ready To Set Up Your Tent

- Select a level campsite clear of rocks, branches and other hard or sharp objects.
- Do not set up your tent under trees.
- For best results in windy conditions position the end of tent into the wind.

(2) Main Tent Poles

Part No. 9277G9531

(2) Side Poles

Part No. 9277G9521

(2) Rainfly Pole

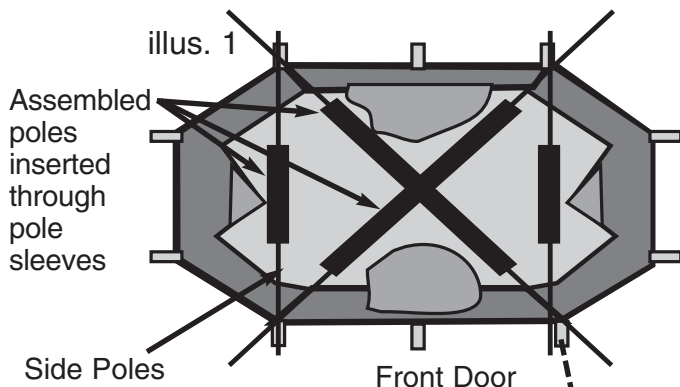
Part No. 9277G9501

Rainfly

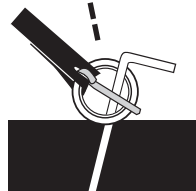
Part No. 9277G9511

1 Layout & Positioning of Tent, Pole Assembly

- Layout and position tent with door facing desired direction. (illus. 1)
- Unzip door.
- Stake down tent corners only, using the stake loops. Keep the floor taut. (Intermediate loops will be staked later.)
- Assemble frame poles by interlocking shock-corded poles. (four poles)
- Insert the poles into pole sleeves. The longer black poles should cross forming an "X" in the middle of tent. The shorter side gray poles insert into sleeves running front to back. (illus. 1)



illus. 2
Tent stake through ring on stake loop

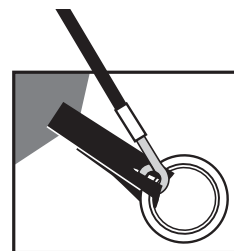


2 Connect Frame to Tent

- Insert one pin into the end of main tent pole at tent corner. (illus. 3, illus. 4)
- Go to opposite end of pole and gradually apply pressure to the pole forming an arch until you are able to insert the pin into the pole end.
- Repeat for second pole.
- Insert pin into the end of side pole, go to opposite end of pole and apply pressure until you arch the pole and can insert the pin into the pole. (illus. 3, illus. 4)
- Repeat for other side pole.



illus. 4
Tent frame set-up



illus. 3
Insert pin into pole end

3 Attach Tent to Frame Using Frame Clips

- Attach frame clips along the edges of tent to frame poles. (illus. 5), (illus. 6)
- Make any adjustments to the tent corner stakes, if needed.
- Stake out remainder of intermediate loops.

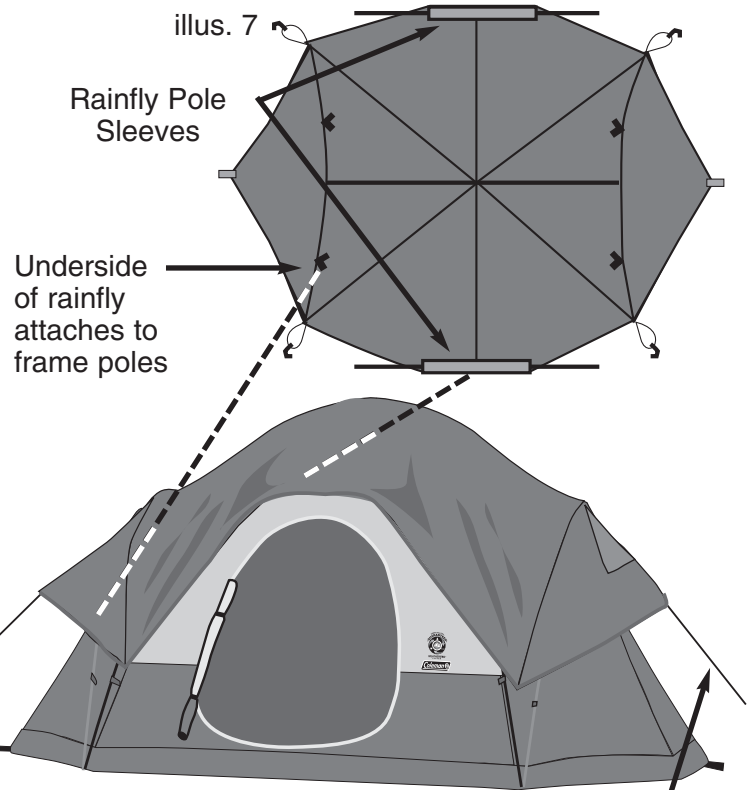


illus. 6

Assembled tent without rainfly. Note the frame clips located on edge of tent.

4 Attach Rainfly

- Assemble rainfly poles, by interlocking shock-corded poles.
- Insert rainfly pole through the pole sleeves located at the center edges of the underside of rainfly. (illus. 7)
- Drape rainfly over tent frame, pole side down. Rainfly poles go over door and rear window.
- Connect the four elastic loops with “S” hooks, (found at the rainfly corners) to the fabric loops near frame clips.
- Insert tip of rainfly pole into the grommet on the front of the tent and gently arch the pole until you can insert the opposite end in the other grommet. Repeat for back side of tent.
- Secure rainfly with hook & loop and ties located on underside of fly. (illus. 8)
- Attach and stake out guylines.



illus. 8 Completed tent with rainfly.

Things You Should Know

- Under certain conditions (cold weather, high humidity, etc.) condensation will form on the inside surfaces of your tent. Condensation is caused by water vapor from your breath, perspiration, or any wet clothing inside your tent. It is NOT LEAKAGE through the tent fabric. It can be minimized by removing wet clothing from your tent and by providing good ventilation through the tent.
- Never store tent, even for a short period of time, without drying it thoroughly and brushing off caked dirt. Do not pack stakes or poles inside your tent. Use separate storage bag.
- STAKES SHOULD BE REMOVED BY PULLING ON THE STAKE ITSELF. NEVER PULL ON THE TENT FABRIC OR TENT STAKE LOOP TO REMOVE STAKE.
- TENT POLES SHOULD NOT BE LEFT TELESKOPED TOGETHER DURING STORAGE.
- Seam sealer has not been provided with your tent. For additional protection we recommend seam sealing your tent prior to camping. Seam sealer may be purchased through your local retailer or at your local sporting goods store.

- Do not leave your tent set-up for weeks at a time, be aware that exposure to the ultraviolet rays of the sun can seriously damage nylon material and/or cause it to become discolored.

WARNING: KEEP ALL FLAME AND HEAT SOURCES AWAY FROM THIS TENT FABRIC. This tent meets the flammability requirements of CPAI-84. The fabric will burn if left in continuous contact with any flame source. The application of any foreign substance to the tent fabric may render the flame-resistant properties ineffective.



THE COLEMAN CO., INC.

3600 N. Hydraulic • Wichita, Kansas 67219
1-800-835-3278 • www.coleman.com