

Model No.

- 8 2 3 7 -

(p/n 108326)

Specifications

- Height – 75" (25" packed)
- Width - 75 inches
- Depth – 90" (42" packed)
- Weight - 145 lbs
- Instruction p/n 102483

K²
FISH TRAP[®]



- Clam Customer Service Information -

NOTICE!! - ONCE USED, THIS SHELTER CANNOT BE RETURNED TO THE STORE. IF YOU HAVE A WARRANTY CLAIM, HAVE YOUR SALES RECEIPT READY AND CONTACT CLAM CORP. CUSTOMER SERVICE BY EMAIL INQUIRY OR DIRECT BY CALLING:

▪ *Customer Service Hrs: - 9am to 4pm, Mon. - Fri. Central Standard Time*

u Clam Corporation

*600 Clydesdale Trail
Medina, MN 55340*

u Phone - 763-231-4120

u Fax - 763-231-4121

u Email – customerservice@clamcorp.com

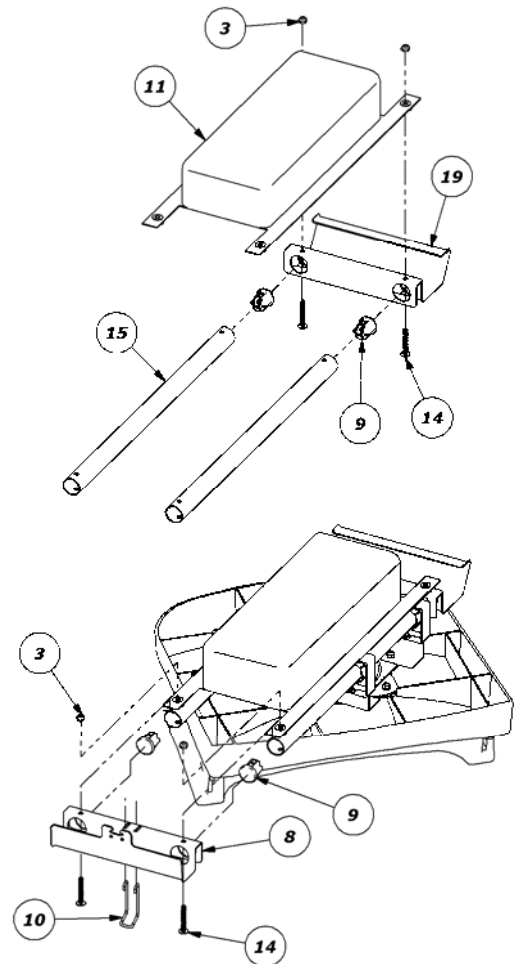
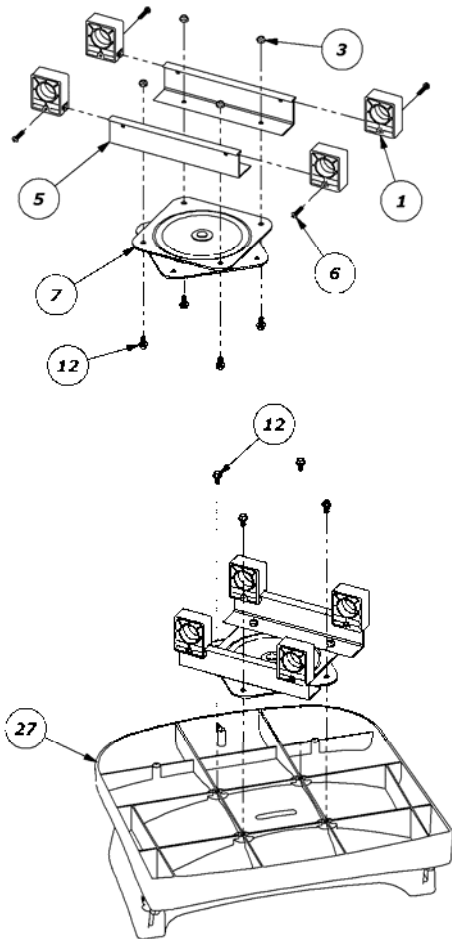
u Website – www.clamcorp.com



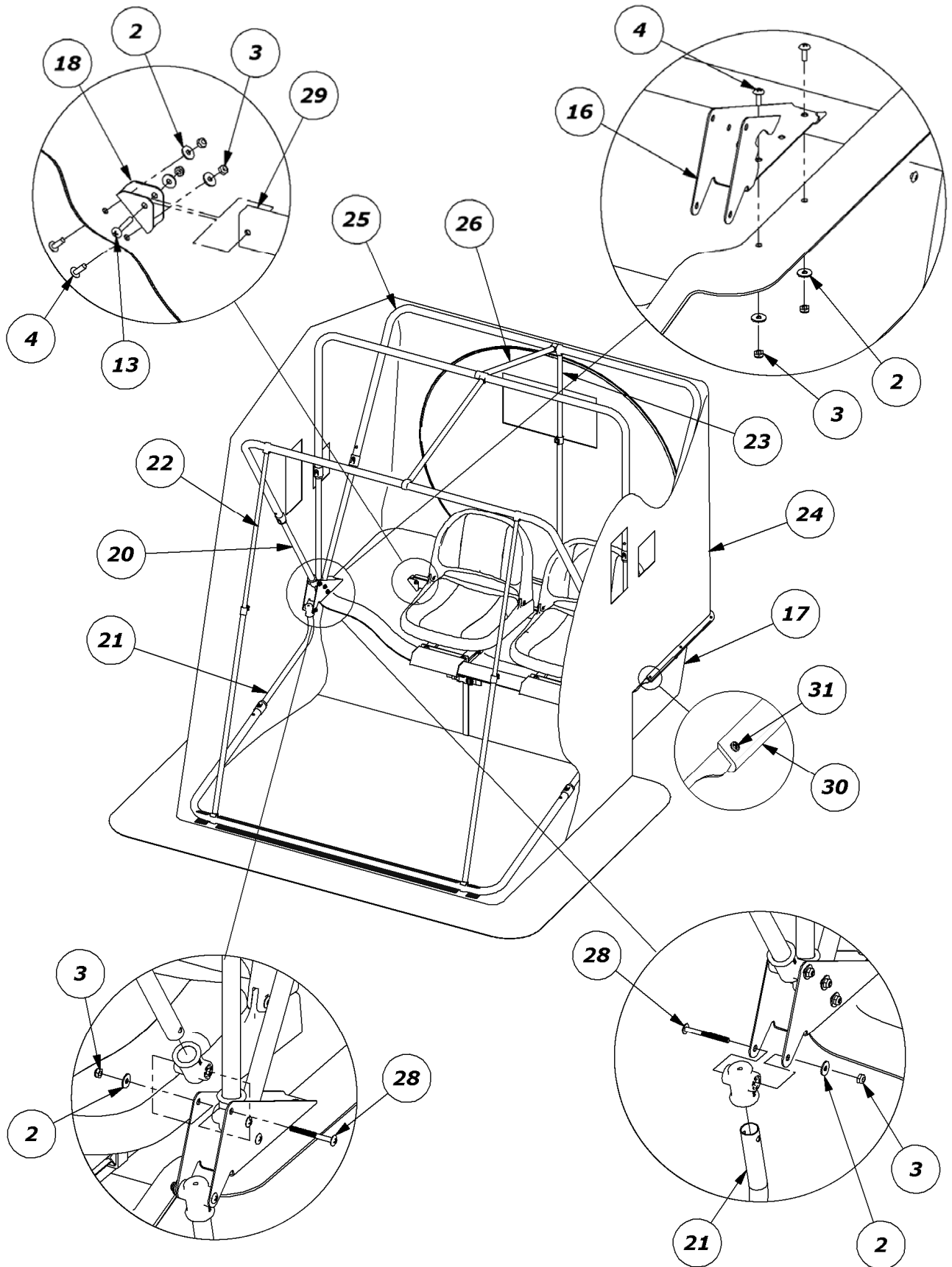
CLAM CORPORATION CANNOT HONOR WARRANTY WITHOUT AN ORIGINAL, DATED RECEIPT.

- Parts Diagram (Seating) -

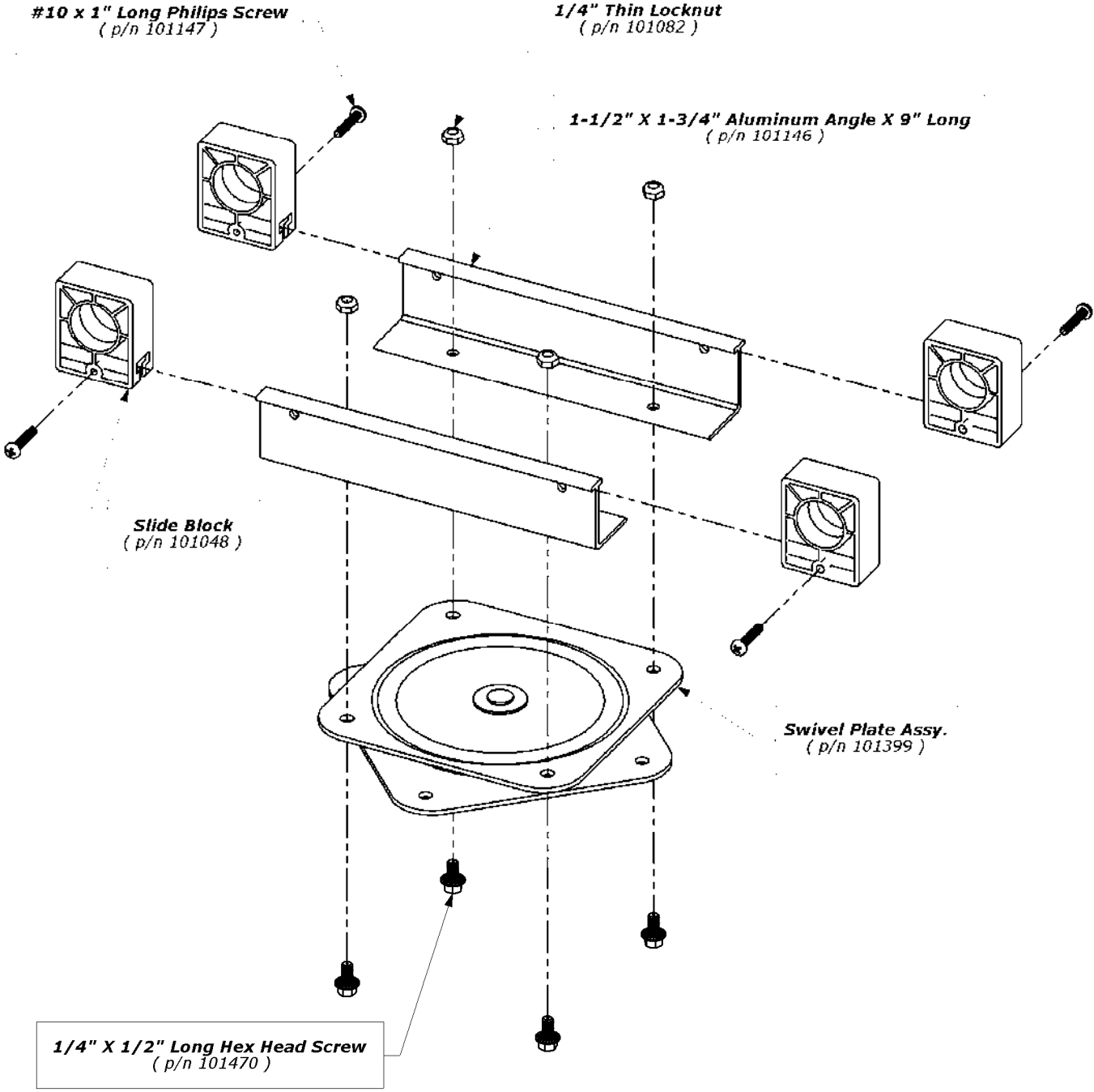
ITEM	QTY	P/N	DESCRIPTION	ITEM	QTY	P/N	DESCRIPTION
1	8	101048	BLOCK, SLIDE	18	2	101813	BRACKET, RAIL HANGER
2	16	101081	WASHER, ¼ FLAT	19	2	101817	BRACKET, FRONT SEAT
3	34	101082	LOCKNUT, ¼" THIN	20	6	101829	ASSY, STRAIGHT CANOPY POLE
4	8	101088	SCREW, ¼" X ¾" PHILLIPS	21	2	101830	ASSY, BENT CANOPY POLE
5	4	101146	ANGLE, 1-1/2" X 1-3/4" X 9" ALUM	22	2	101836	ASSY, FRONT SPREADER POLE
6	8	101147	SCREW, #10 x 1" LONG PHILLIPS	23	2	101839	ASSY, ROOF SPREADER POLE
7	2	101399	ASSY, SWIVEL PLATE	24	1	101840	ASSY, REAR SPEADER POLE
8	2	102430	BRACKET, REAR SEAT	25	1	102437	TENT, X2
9	8	101429	CAP, 1-1/8" DIA. TUBE	26	4	101863	ASSY, X2 CANOPY HOOP POLE
10	2	102512	CLIP, LATCH	27	2	101905	ASSY, FOLDING SEAT
11	2	101466	HAMMOCK, ACCESSORY	28	8	101906	SCREW, ¼" X 2-1/2" LONG PHILLIPS
12	16	101470	BOLT, ¼" HEX HEAD X ½" LONG	29	1	102505	TUBE, 1" X 2" RECTANGULAR
13	2	101473	SCREW, 1/4" X 1-1/2" LONG PHILLIPS	30	1	101910	MOLDING, U-CHANNEL
14	8	101486	SCREW, ¼" X 1-3/4" LONG PHILLIPS	31	20	101938	SCREW, #8 PHILLIPS
15	4	101652	TUBE, SEAT RAIL	32	1	101095	ROPE
16	2	101810	BRACKET, X2 CANOPY	33	1	102483	MANUAL 08/09 X2
17	1	102500	BASE, X2				



- Parts Diagram (Shelter) -



- Step One -

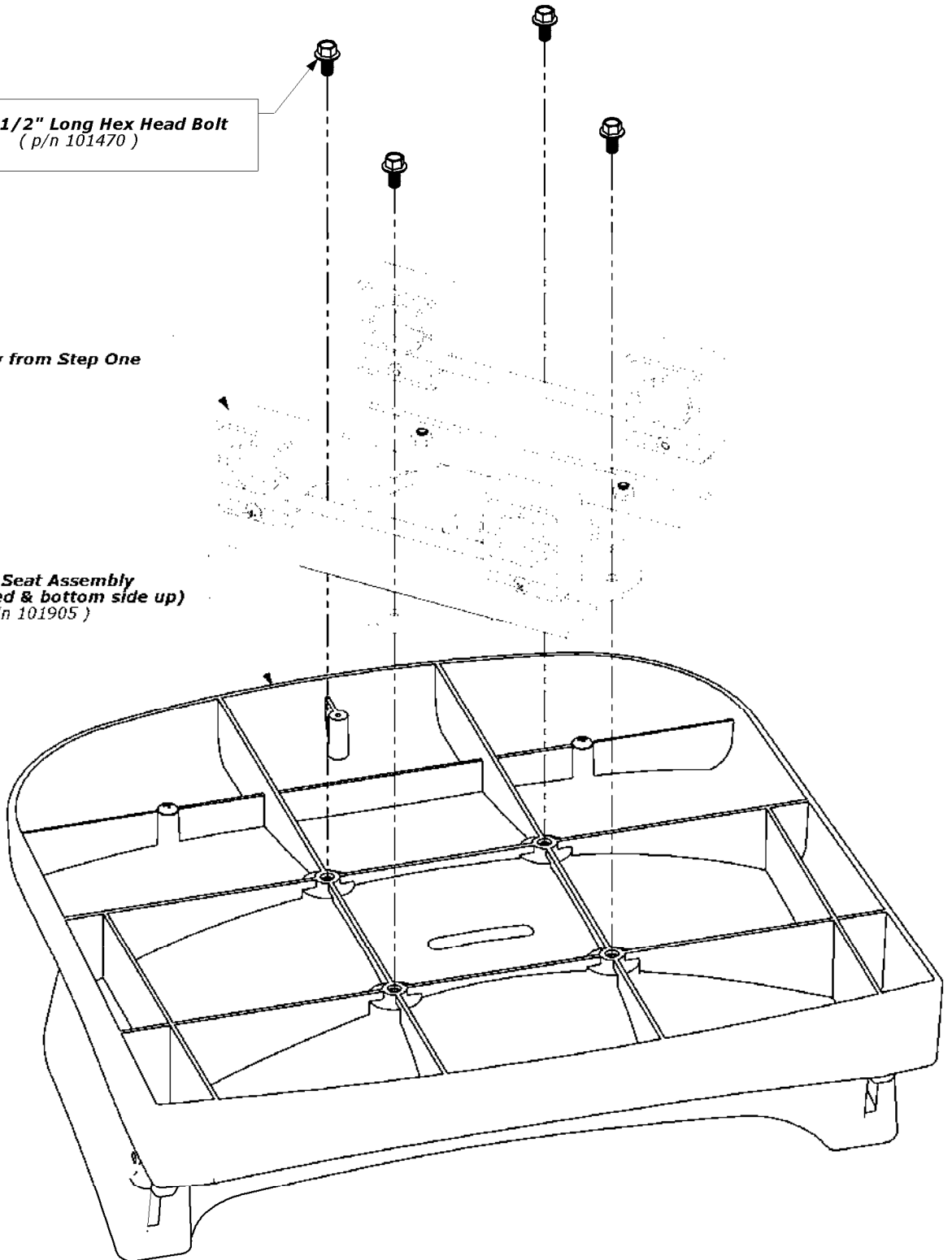


- Step Two -

1/4" X 1/2" Long Hex Head Bolt
(p/n 101470)

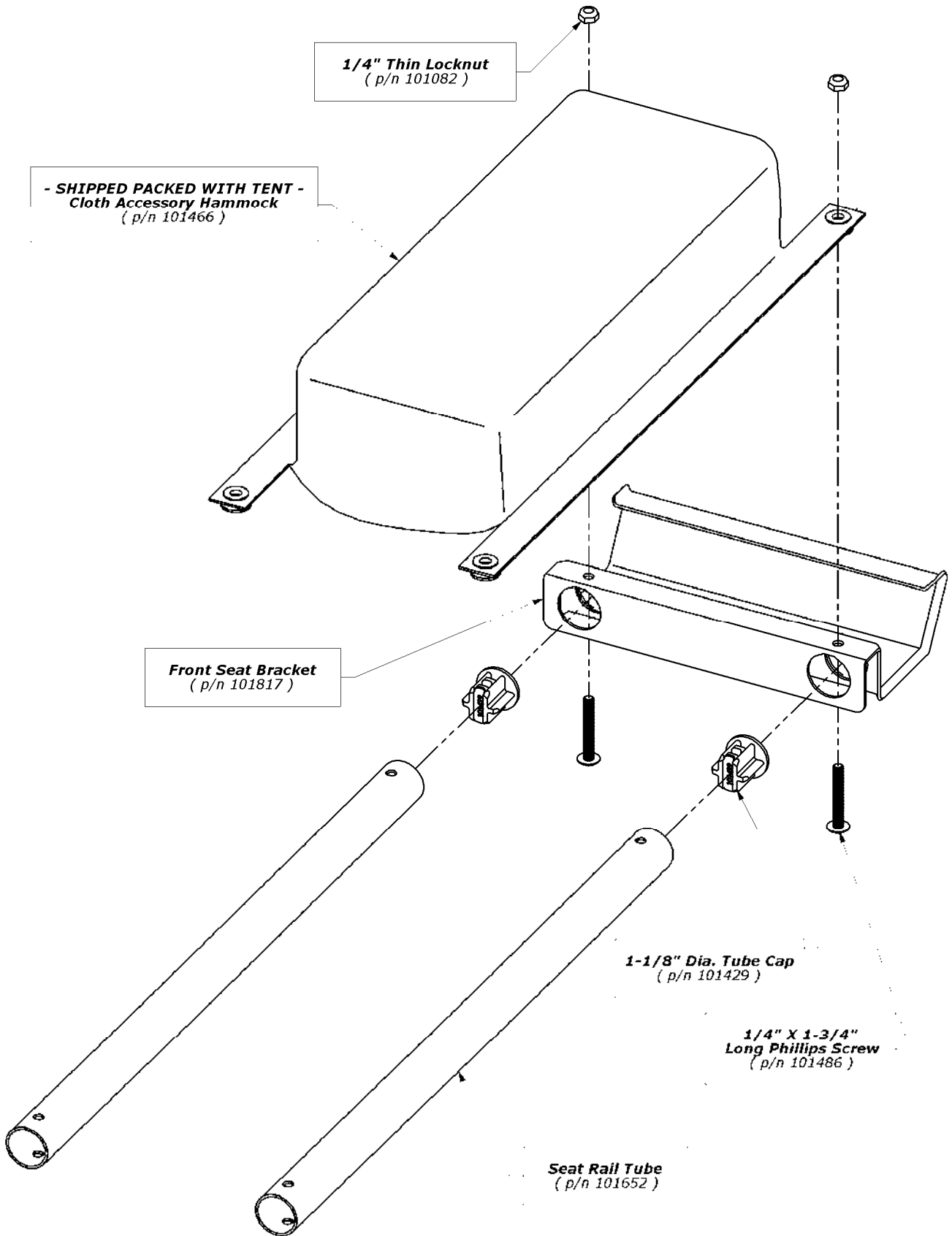
Assembly from Step One

Folding Seat Assembly
(shown folded & bottom side up)
(p/n 101905)

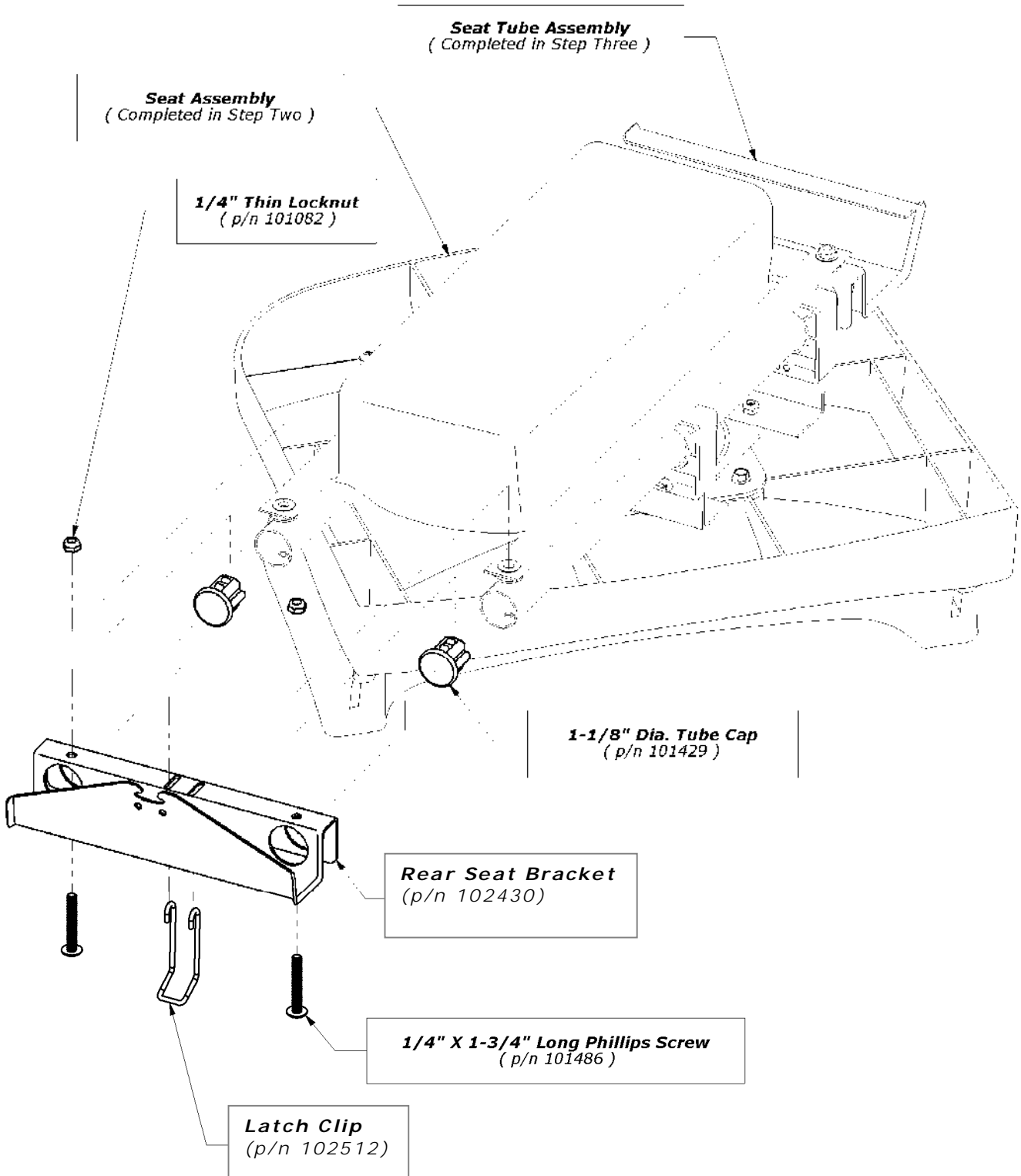


When completed, set Seat Assembly aside for use in Step Four

- Step Three -

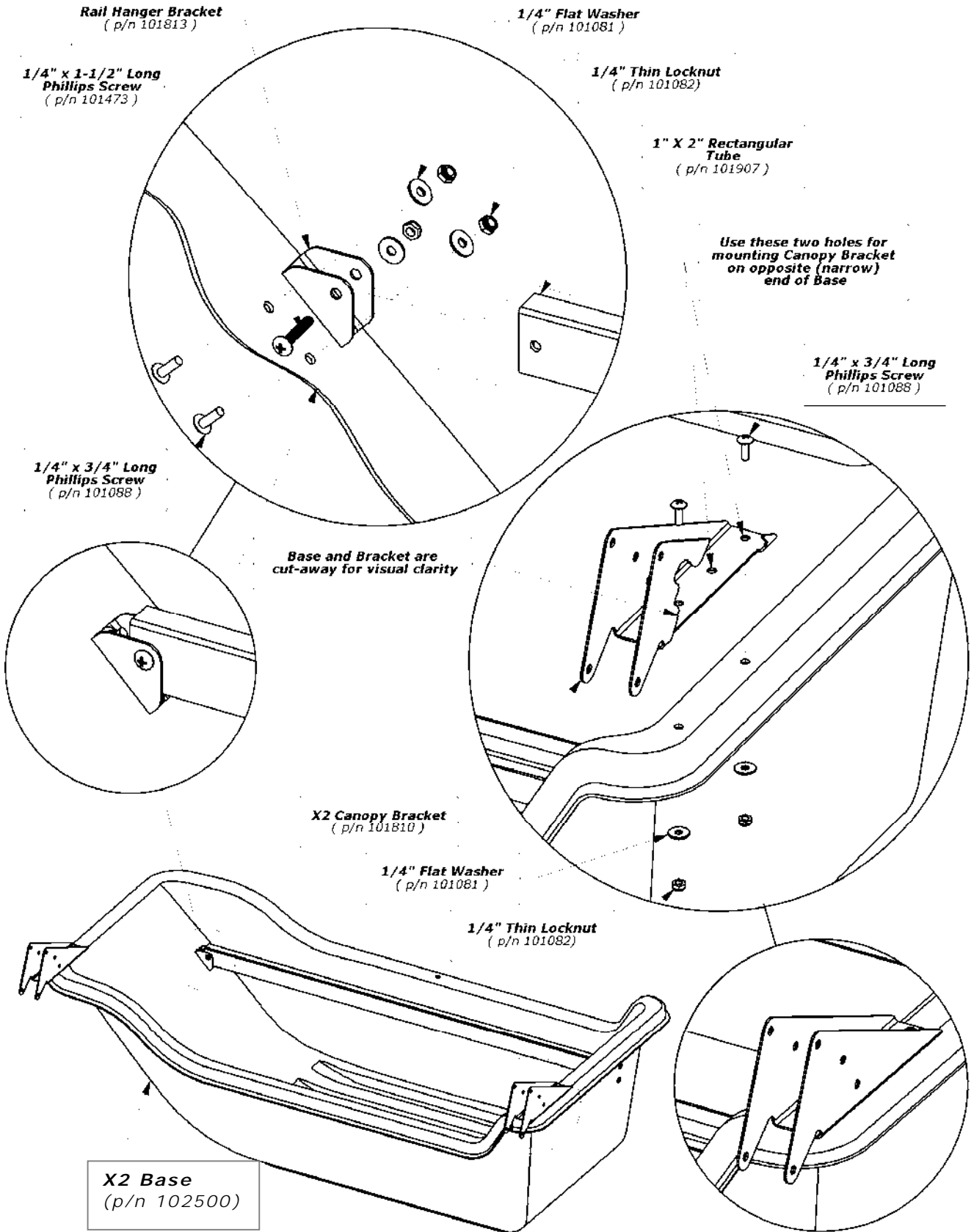


- Step Four -

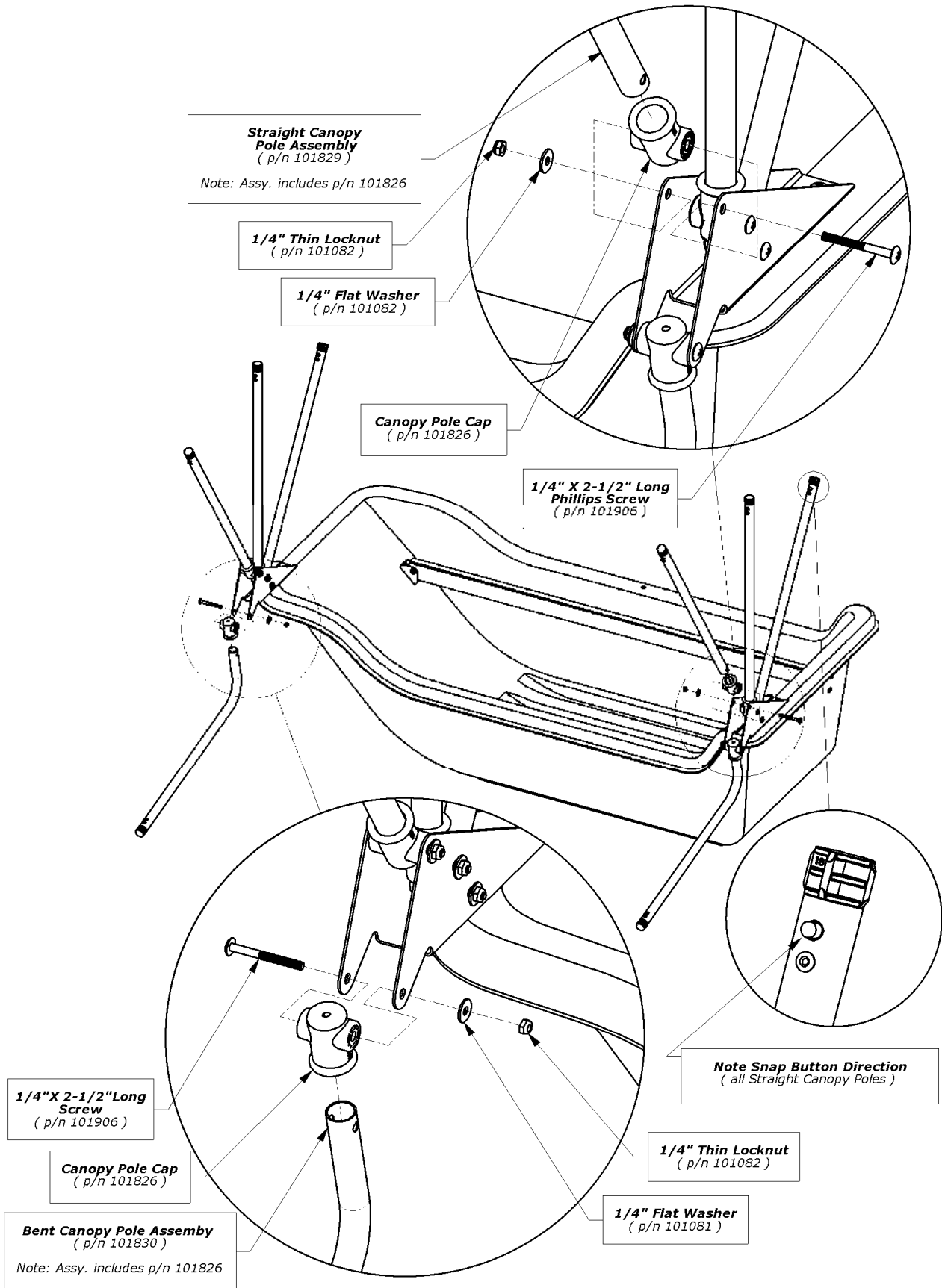


Slide the Tubes of the assembly completed in Step Three through the Slide Blocks of the Seat Assembly completed in Step Two. When the combined assembly is completed, set aside for installation following the shelter assembly.

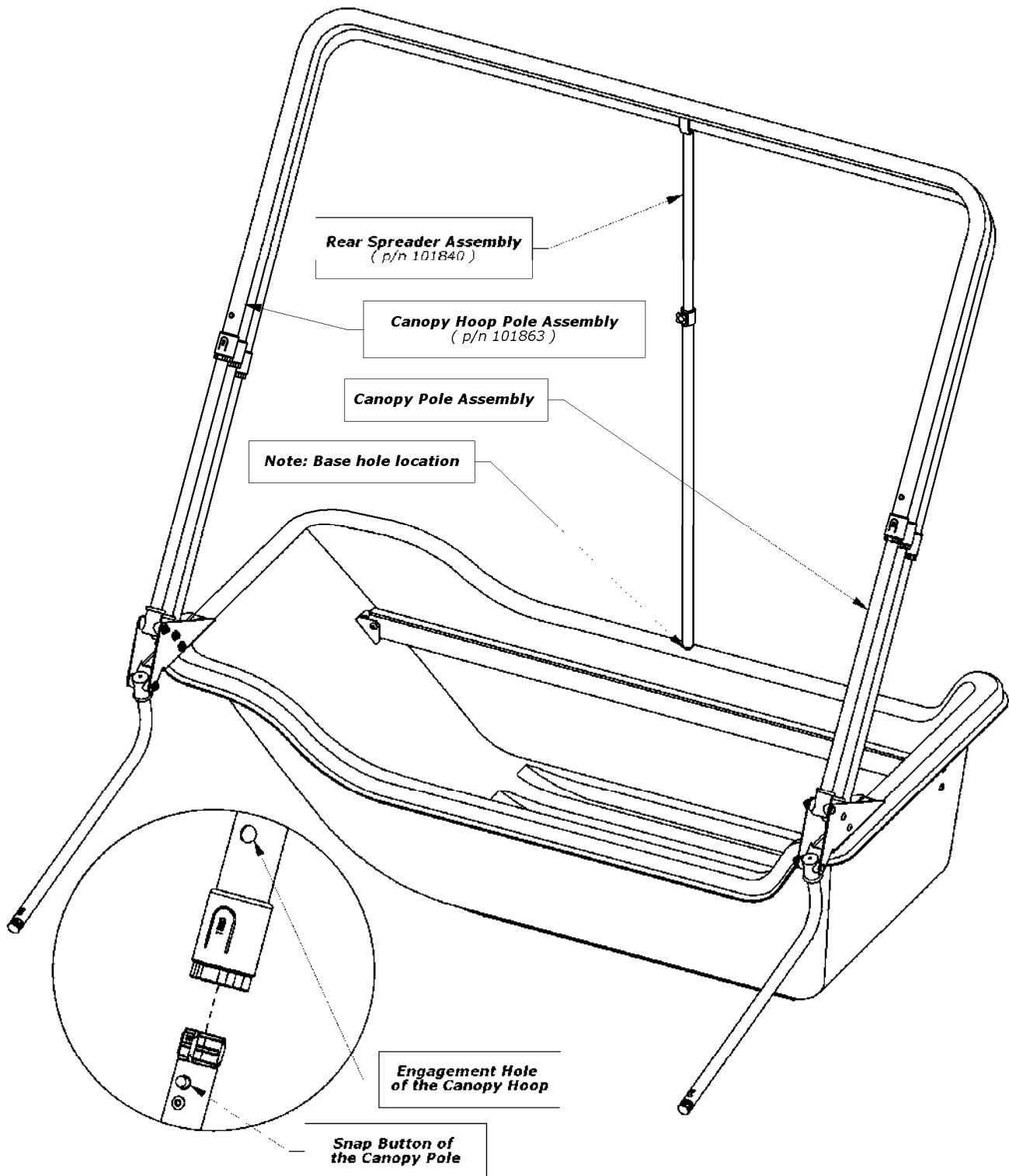
- Step Five -



- Step Six -



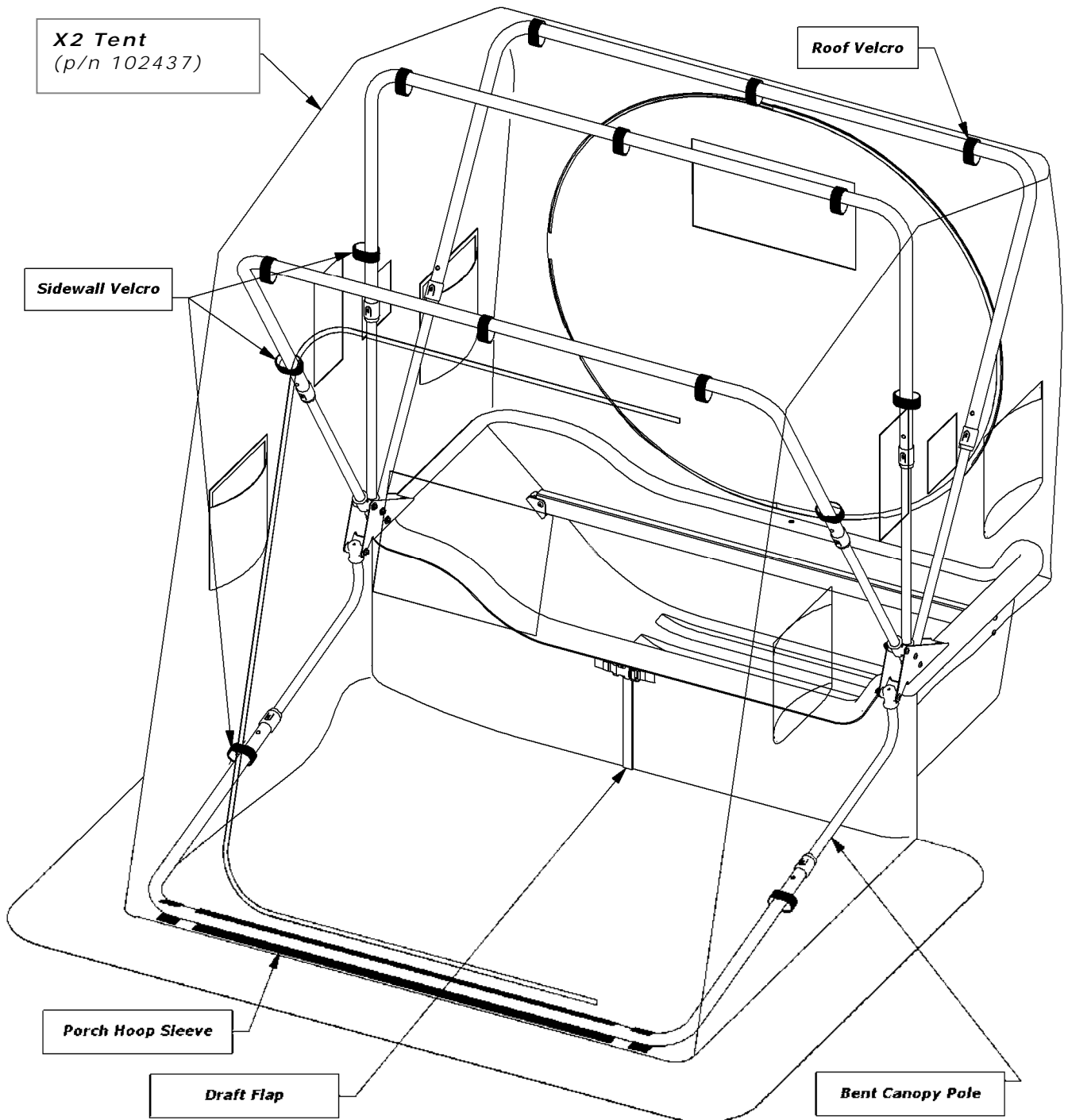
- Step Seven -



Slide the Canopy Hoop Poles onto the Straight Canopy Poles until the Snap Buttons engage the holes near the ends of each Canopy Hoop.

Extend the Rear Spreader Pole about 12 inches and tighten the tension knob. Next insert the tip of the Rear Spreader Pole into the hole of the Base and use to temporarily support the Canopy Hoop Poles as pictured.

- Step Eight -



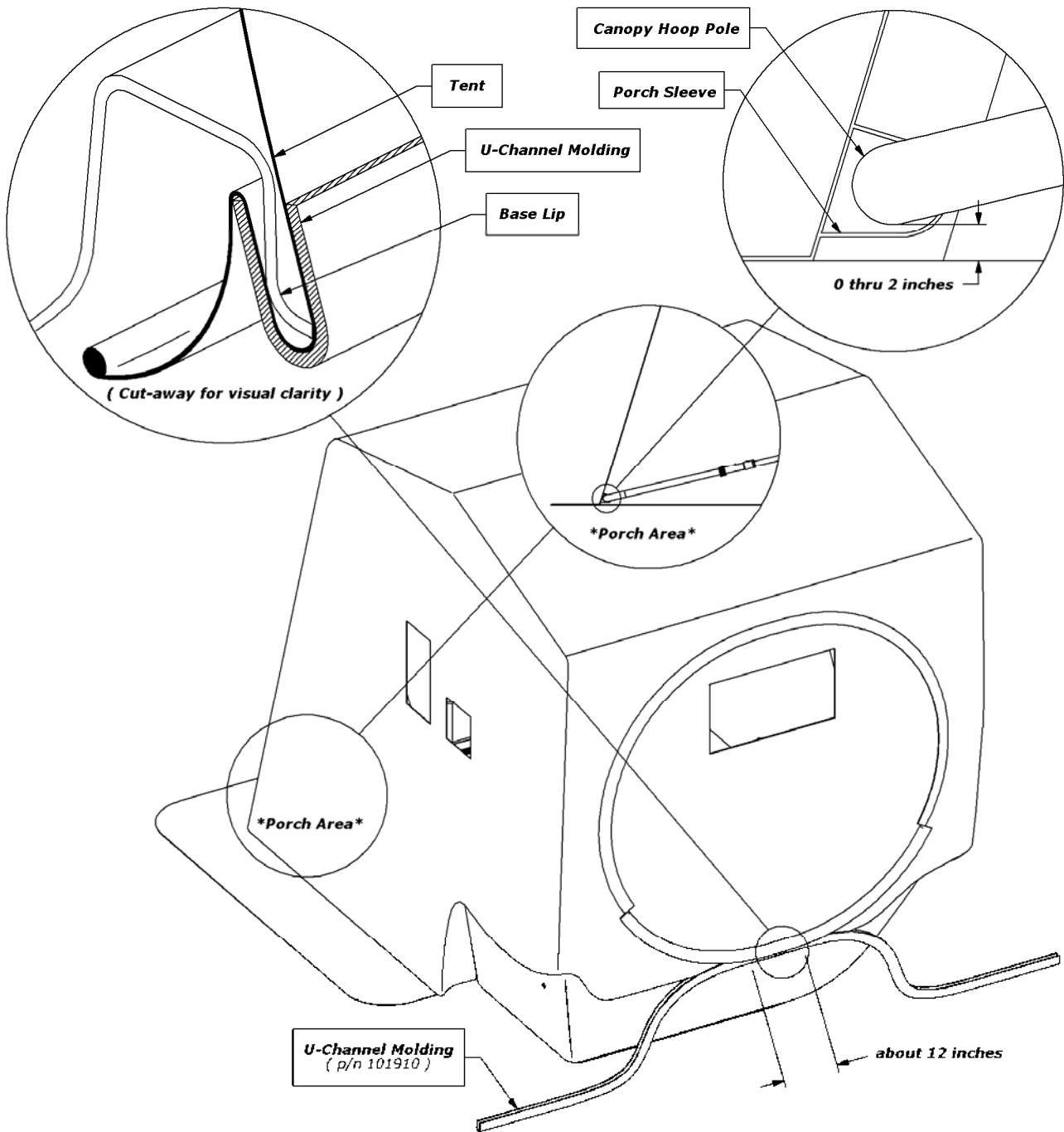
Drape the Tent over the supported hoops from the last step, then go under the Tent and spread out the Canopy Hoop Poles and then attach the Roof Velcro as you go. When completed, lay the attached Canopy Hoop Poles down onto the base.

Take the not-installed Canopy Hoop Pole and prepare to feed the length of the pole through the Porch Hoop Sleeves sewn on the Tent (under the front door). Determine the correct orientation for the holes of the Canopy Hoop Pole so that they will mate properly with the snap buttons of the Bent Canopy Poles. Next slide Canopy Hoop Pole through the Sleeve and then engage the snap buttons as you did in the prior step.

Gather the ends of the Draft Flap and pull them together, stretching its length against the sidewall of the base. Secure the Draft Flap buckle and then align and attach the Velcro at the ends of the Draft Flap. Next attach the Sidewall Velcro on each side of the Tent.

With the Tent now secured at all Velcro locations, remove the Rear Spreader Pole that was used to temporarily support the Canopy Hoop Poles. The Tent can now be "set" in the next step.

- Step Nine -

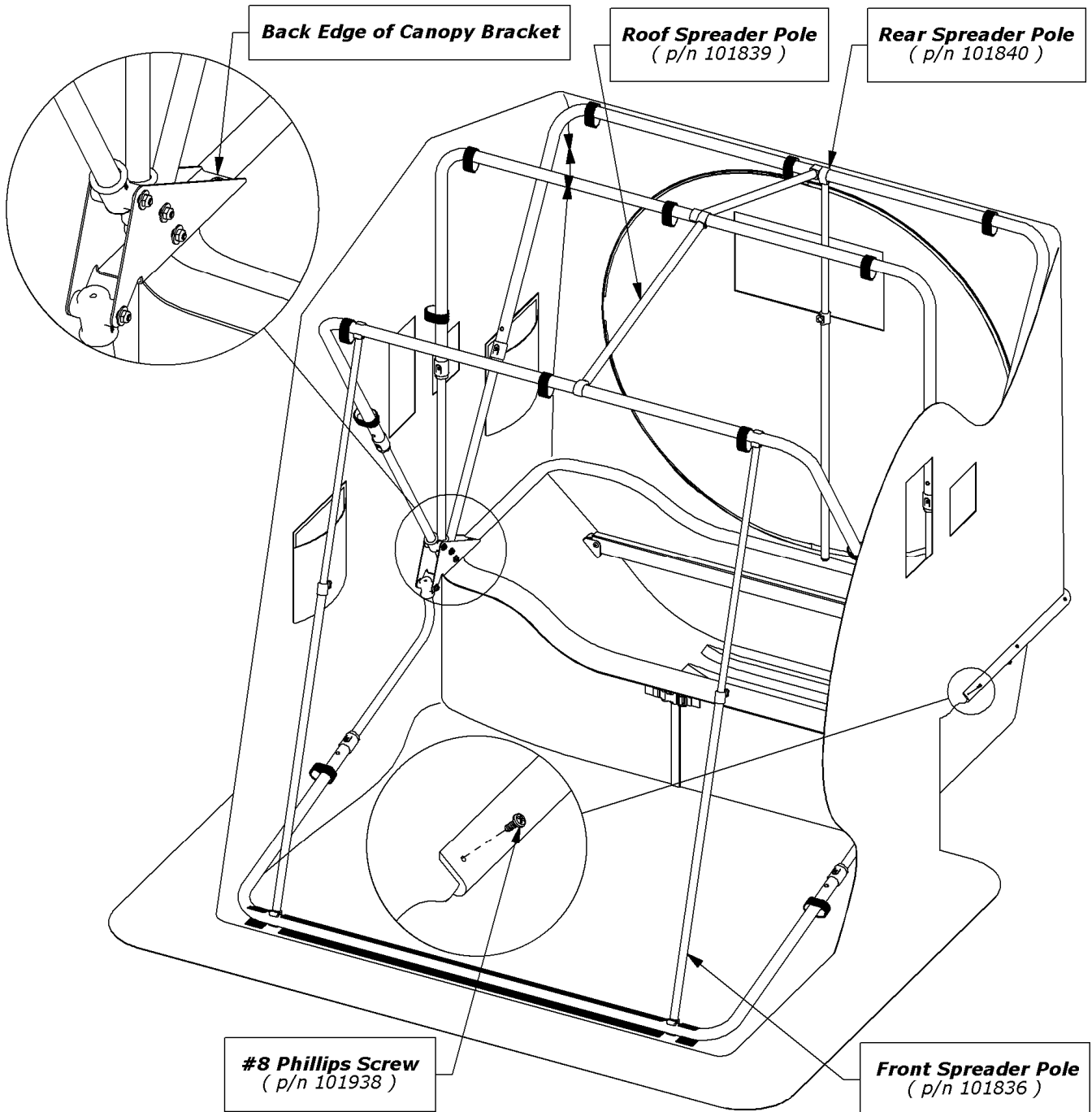


To "set" the Tent, grasp the Tent material at the rear of the shelter and pull it downward. Observe the *Porch Area* of the tent lifting accordingly as you pull. When the U-Channel Molding is correctly installed, the first Canopy Hoop Pole will lightly touch the floor (or will measure anywhere from 0-2 inches).

To achieve this condition, start by finding the center of the Molding. From behind the unit, pull the mid-point of the Tent downward and fold the Tent material under the Base Lip. Press the midpoint of the Molding over the Tent material and the Base Lip. Continue pressing outward from the mid-point in both directions until you have secured about twelve inches of material to the base.

Having temporarily secured the tent to the base, verify the proper position of the Canopy Hoop Pole at the front of the shelter. If the position is not within the recommended measurement, readjust the molding position and then recheck until the proper positioning is achieved. Complete the installation of the U-Channel Molding in the next step.

- Step Ten -



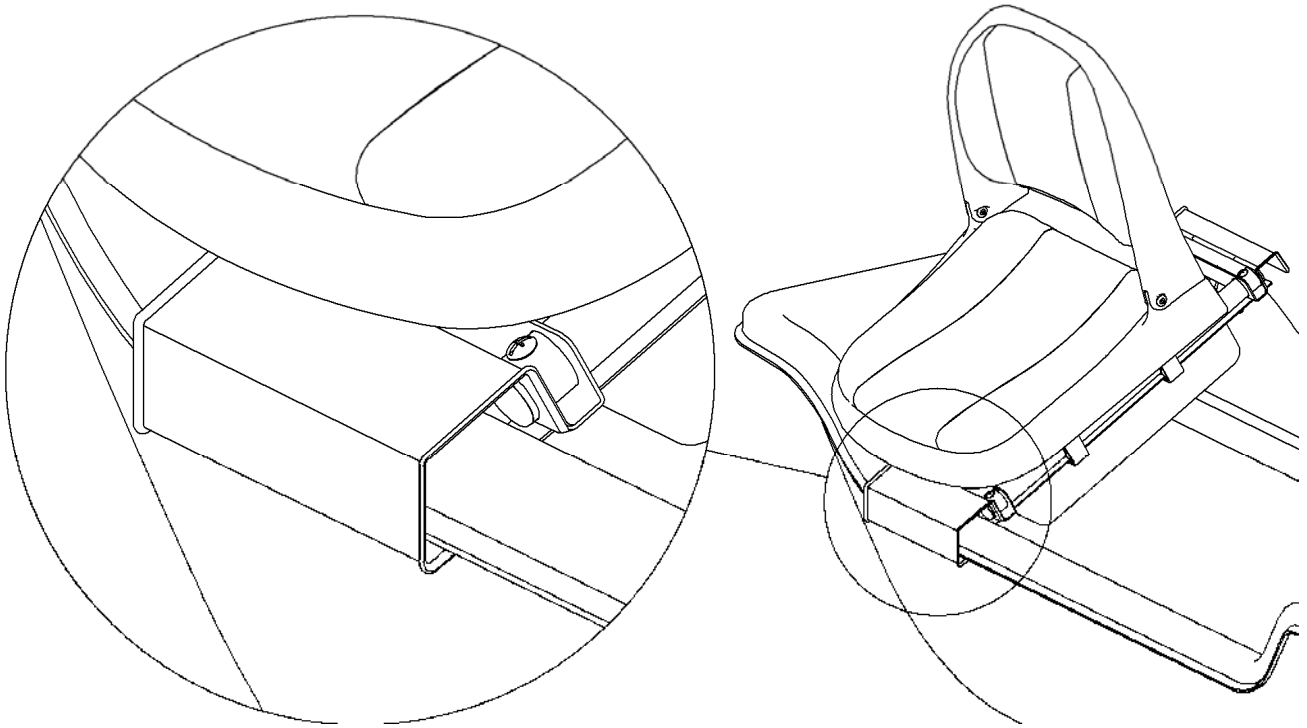
Now that you have the correct measurement under your Canopy Hoop Pole, continue applying the U-Channel Molding around the shelter, one direction from center and then the other, pulling the material as you go so that surface is void of any major creases and is relatively wrinkle-free. From outside the Tent, feel where the molding ends in relationship to the Rear Edge of the Canopy Brackets. If either end of the Molding extends past the Rear Edge of the Canopy Pole Brackets, trim the Molding with a utility knife or side cutters to end an inch or two before the Rear Edge.

Install the Front, Rear, and Roof Spreader Poles as indicated. Adjust the Front and Rear Spreader Poles to tighten the fit of the tent. With everything fully extended, the Canopy Hoop Pole at the front of the unit should be pushing against the floor. If it seems that the tent is not tight enough after doing so or else you are unable to stretch the Tent enough to get this to happen, you probably need to readjust the molding position.

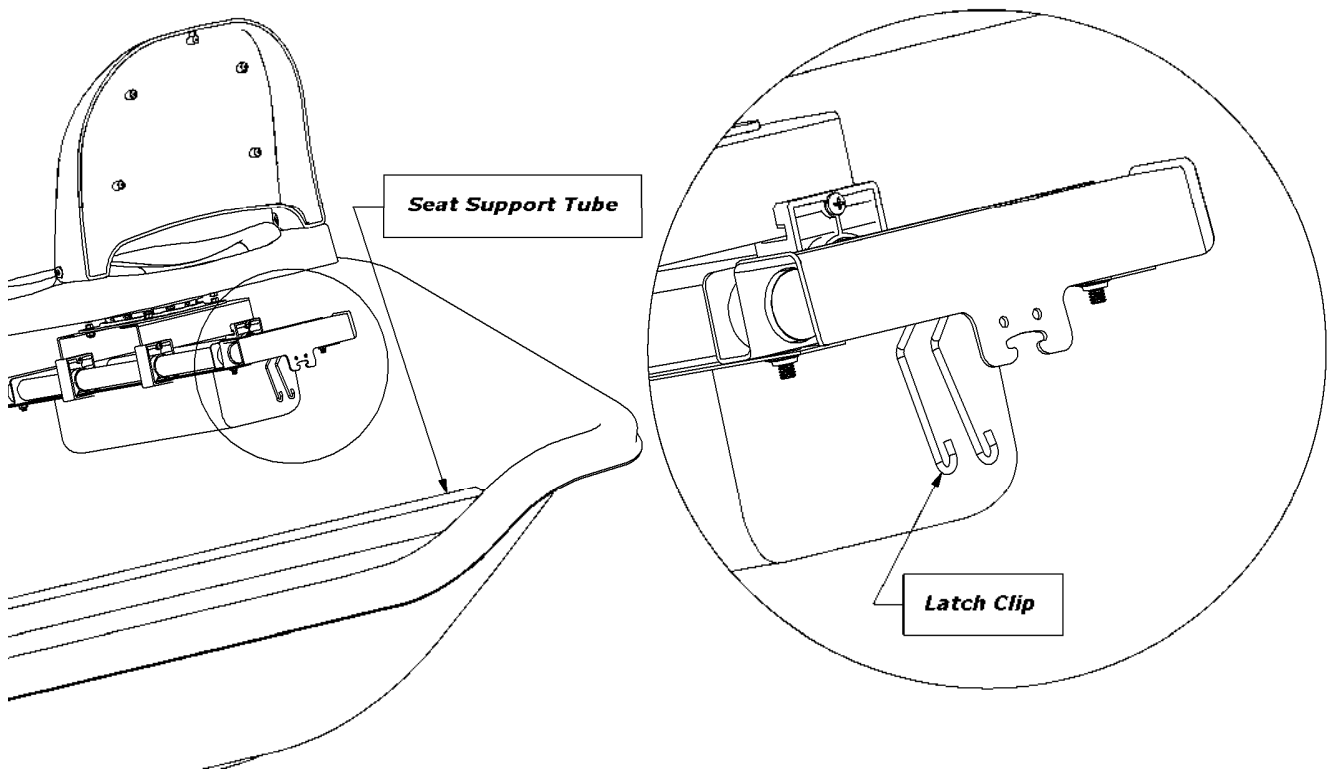
If everything still looks good, secure the Molding with the included #8 Phillips Screws. Evenly space them about every ten to twelve inches, and/or in areas that would benefit most such as inner curves, etc. Since there aren't any predrilled holes, it's advisable to use a powered driver for this operation.

- Seating Installation -

Angle the seat assembly slightly while placing the bottom lip of the front seat bracket under the outside edge of the base lip.



With the latch clip hanging freely, tilt the complete assembly downward until the interior of the rear seat bracket surrounds the support tube.



- Seating Installation (cont.) -

Reach under the rear seat bracket and slide the latch clip outwards and then up against the underside of the support tube. Squeeze the latch clip into the horizontal slot of the rear seat bracket.

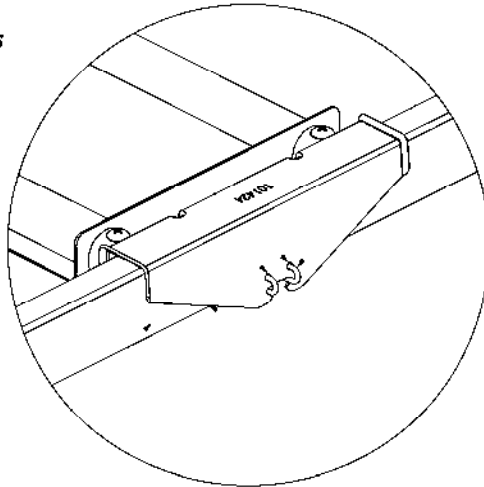
Secure the position of the latch clip by pushing it into the two holes located above the horizontal slot of the rear seat bracket.

SECURED POSITION:

- Swing the Latch Clip under the Support Tube
- Squeeze the Latch Clip and push it through the slot of the Rear Seat Bracket
- Secure by pushing the ends of the Latch Clip into the holes of the Seat Bracket

Bracket Holes

Latch Clip

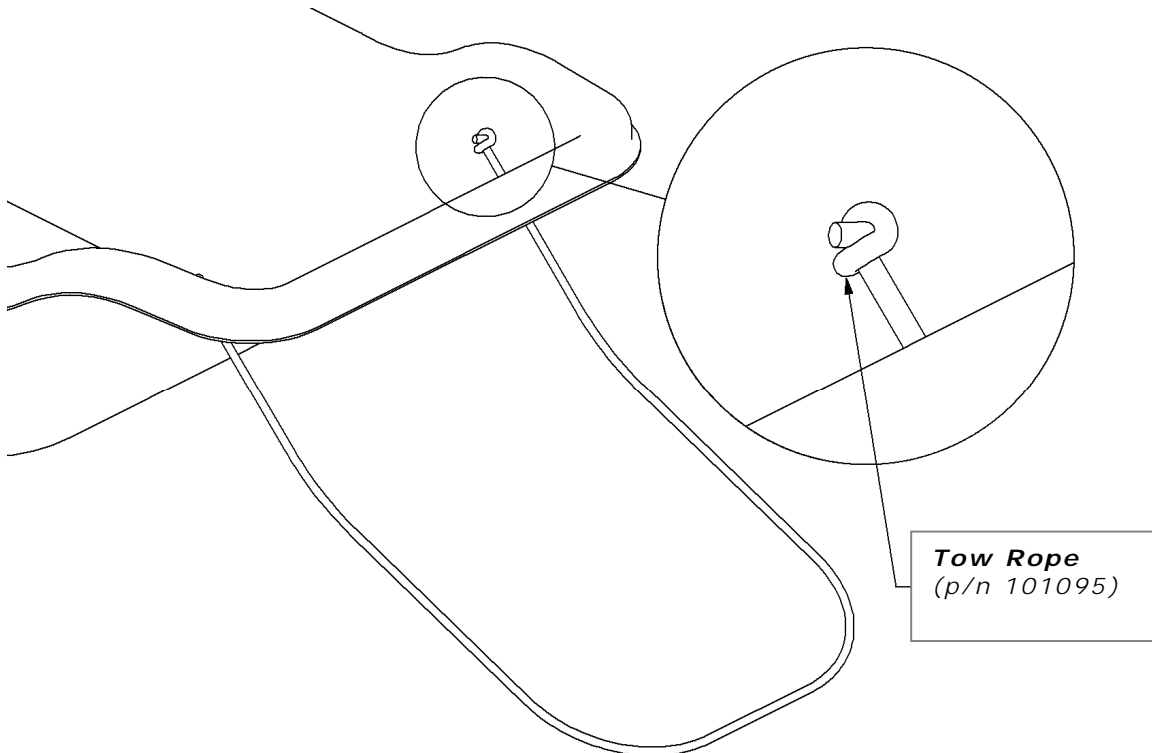


Seat Bracket

Support Tube

WARNING: ALWAYS KEEP THE LATCH CLIP IN THE SECURED POSITION DURING USE. FAILURE TO DO SO COULD RESULT IN INJURY FROM THE SEAT COMING OFF OF ITS MOUNTING SYSTEM.

Included is a tow rope for those not planning to install the optional tow hitch assembly (available for purchase at www.clamcorp.com). To install the tow rope, drill two 1/2" holes in the sloped front of the base. Knot the ends of the tow rope after routing through the drilled holes.



- Tips for Use -

Folding and transporting your Fish Trap is easy:

- *Unsnap the roof spreader poles, rear spreader poles, and front spreader poles. Lay them in the bottom of the base.*
- *Push the spring buttons and retract each hoop, starting with the rear hoop and working towards the front. Rotate all retracted hoops to the resting position. Tuck the tent into the base and between the hoops so that no material is left hanging on the ground for transport.*
- *Cover with the Travel Cover* (an optional but recommended accessory to help prolong the life of the unit). Tow the unit out to your favorite fishing spot! (NOTE: continuous pulling behind a four wheeler or snowmobile may result in premature wear of the base. We recommend the optional Wear Strips* be mounted to the base of your Fish Trap).*

Make sure your Ice Shelter is completely dried out before storing for long periods of time. Store your Ice Shelter in a cool, dry place. Keep away from rodents.

**See our accessory catalog or www.clamcorp.com for these items and more!*

- Safety Instructions -

Please fully understand and follow all safety instructions as outlined. Failure to do so could result in severe injury or death.

- *Do not use open flame heaters in your ice shelter. Injury or death may result from fire if tent fabric is exposed to open flame. The tent is not fireproof, but the fabric is treated with a fire retardant that meets CPAI-84 specifications. Application of any foreign substance may render the flame retardant properties ineffective. Ice Armor fabric will melt when contact is made with hot surfaces (i.e., heaters).*
- *Death from asphyxiation may result from use of oxygen depleting heaters. Open all vents for fresh air ventilation.*
- *Never leave shelter unattended when set up.*
- *Due to the increase in traffic (snowmobiles, autos, etc.) on area lakes, ice fishing can be hazardous at night. If you choose to fish at night or in poor visibility conditions, be sure to take precautions with lights or reflectors to show drivers your whereabouts. Night time: exterior reflectors must be visible to reduce risk of collisions.*

- Warranty -

Clam Corporation warrants to the original retail purchaser that all Clams are free from manufacturer's defects for one (1) year from the date of the original purchase. Warranty does not cover cracked windows, tent tears, broken or bent hoops due to high wind weather conditions or unattended use. Clam Corporation will replace or repair any part found defective within the one (1) year time limit. All parts must be returned to Clam Corporation. Before returning any parts, you must first call or write and acquire a return authorization. All returns must be returned postage-prepaid and include the original cash register receipt (date and purchase price).

- Limitation of Liability -

It is expressly understood that Clam Corporation's liability for its products, whether due to breach of warranty, negligence, strict liability, or otherwise, is limited to the repair of the product as stated above. Clam Corporation is not liable for any injury, loss, damage, or expense, whether direct or consequential, including but not limited to loss of use, income, profit, or damage to material arising in connection with the sale, installation, use of, inability to use, or the repair or replacement of Clam Corporation products. Clam Corporation reserves the right to make alterations or modifications in its products at any time, which in its opinion, may improve the performance and efficiency of the product. It shall not be obligated to make such alterations or modifications to products already in service.