

**Model No.**

**- 8062 -**

**p/n 108324**

**Specifications**

- Height: 70" (24" packed)
- Width: 65"
- Depth: 86" (38" packed)
- Weight: 107 lbs.
- Instruction p/n 102478



**- Clam Customer Service Information -**

**NOTICE!!** Once used, this shelter cannot be returned to the store. If you have a warranty claim, have your sales receipt ready and contact Clam Corporation Customer Service by email inquiry or direct by calling:

- Customer Service Hrs: - 9am to 4pm, Mon. - Fri. Central Standard Time
- Clam Corporation  
600 Clydesdale Trail  
Medina, MN 55340
- Phone - 763-231-4120
- Fax - 763-231-4121
- Website – [www.clamcorp.com](http://www.clamcorp.com)
- Email – [customerservice@clamcorp.com](mailto:customerservice@clamcorp.com)

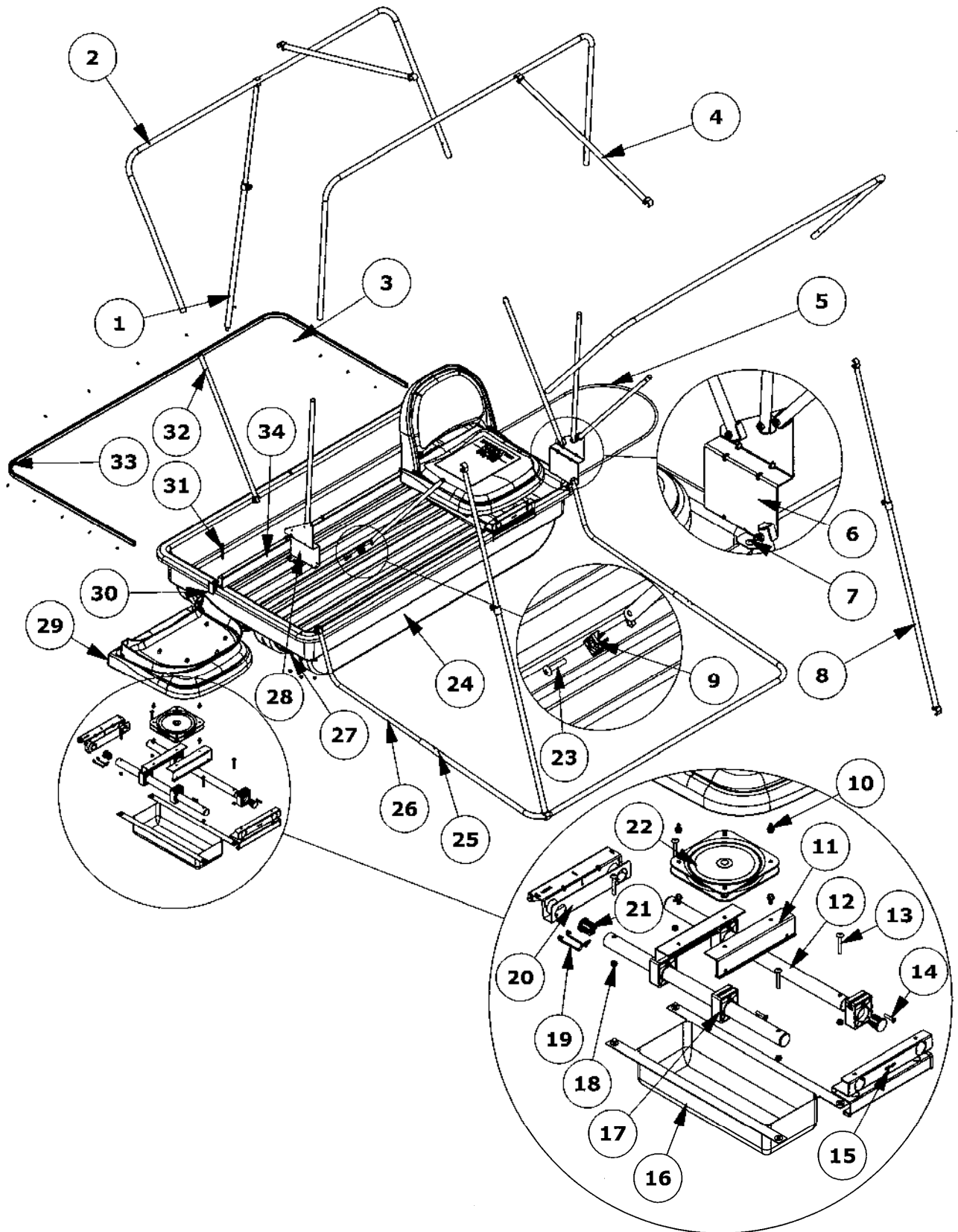


**Clam Corporation cannot honor warranty without an original, dated receipt.**

**- Parts List -**

ITEM NO.	PART NUMBER	DESCRIPTION	QTY.
1	101580	REAR ADJUSTABLE SPREADER POLE	1
2	101431	TUBE, YUKON CANOPY HOOP	3
3	101148	SCREW, #6 X 0.38	16
4	101481	ROOF SPREADER POLE	2
5	101095	ROPE, 3/8 DIA X 9 FT	1
6	101584	BRKT, LEFT CANOPY	1
7	101088	SCREW, 1/4-20 X 0.75	6
8	101167	FRONT ADJUSTABLE SPREADER POLE	2
9	101083	CAP, TUBE SPACER	8
10	101470	SCREW, 1/4-20 X 0.50	16
11	101146	CHANNEL, 8.78 ALUM EXT	4
12	101652	TUBE, 20.00 SEAT RAIL	4
13	101486	SCREW, 1/4-20 X 1.75	8
14	101147	SCREW, #10 x 1.00	8
15	101420	BRKT, FRONT RETAINER	2
16	101466	HAMMOCK, ACCESSORY	2
17	101048	BLOCK, SLIDE	8
18	101082	NUT, 1/4-20 THIN NYLOCK	32
19	102512	SPRING, CATCH	2
20	102430	BRKT, REAR RETAINER	2
21	101429	PLUG, 1.16 DIA TUBE	8
22	101399	SWIVEL	2
23	101080	SCREW, 1/4-20 X 1.25	8
24	102497	BASE, YUKON, 08/09	1
25	101432	TUBE, YUKON PORCH HOOP	1
26	101121	TUBE, PORCH	2
27	101081	WASHER, 1/4 FLAT	8
28	101585	BRKT, RIGHT CANOPY	1
29	101463	FOLDING SEAT ASSEMBLY	2
30	101430	CAP, TUBE 1 X 2 - 1/8	2
31	101487	SCREW, 1/4-20 X 2.75	2
32	101069	POLE CANOPY, 1/2"	6
33	101116	MOLDING, 3/4 X 118 U-CHNL	1
34	102503	TUBE, YUKON SEAT RAIL SUPPORT	1
35	102435	TENT, 08/09 YUKON	1
36	102478	MANUAL, 08/09 YUKON	1

- Parts Diagram -

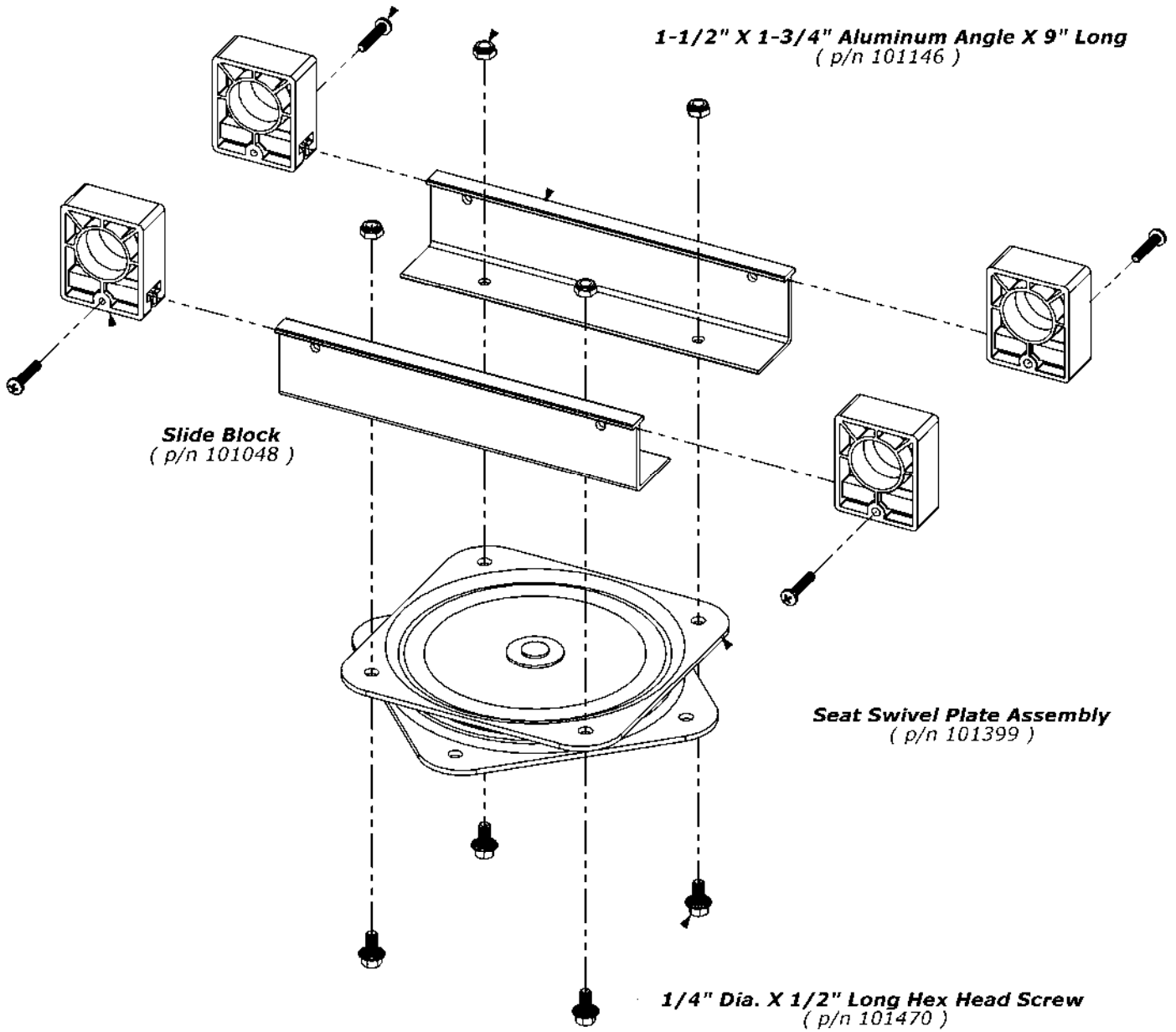


**- Step One -**

**#10 X 1" Long Philips Screw**  
( p/n 101147 )

**1/4" Thin Locknut**  
( p/n 101082 )

**1-1/2" X 1-3/4" Aluminum Angle X 9" Long**  
( p/n 101146 )



**Slide Block**  
( p/n 101048 )

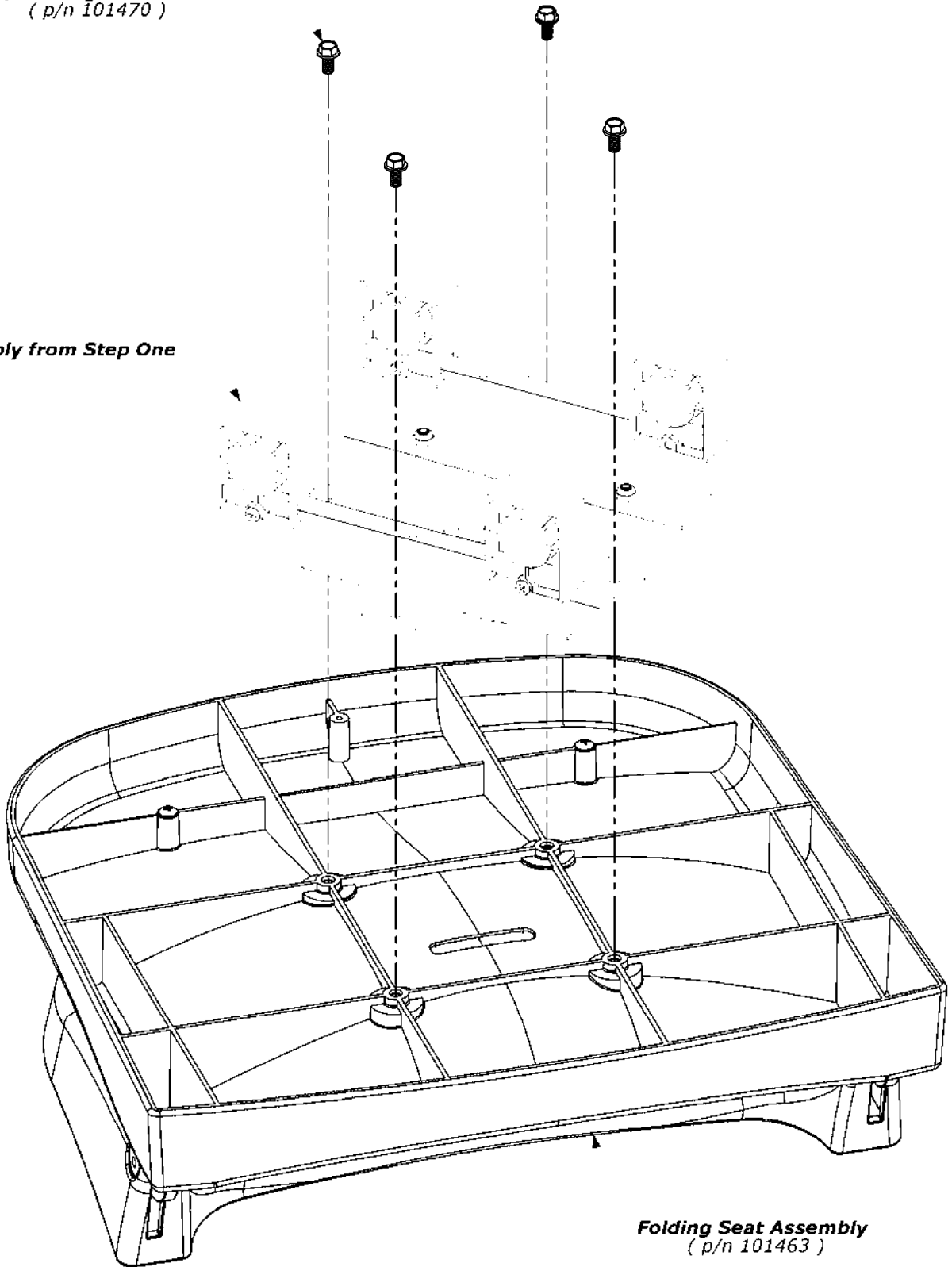
**Seat Swivel Plate Assembly**  
( p/n 101399 )

**1/4" Dia. X 1/2" Long Hex Head Screw**  
( p/n 101470 )

**- Step Two -**

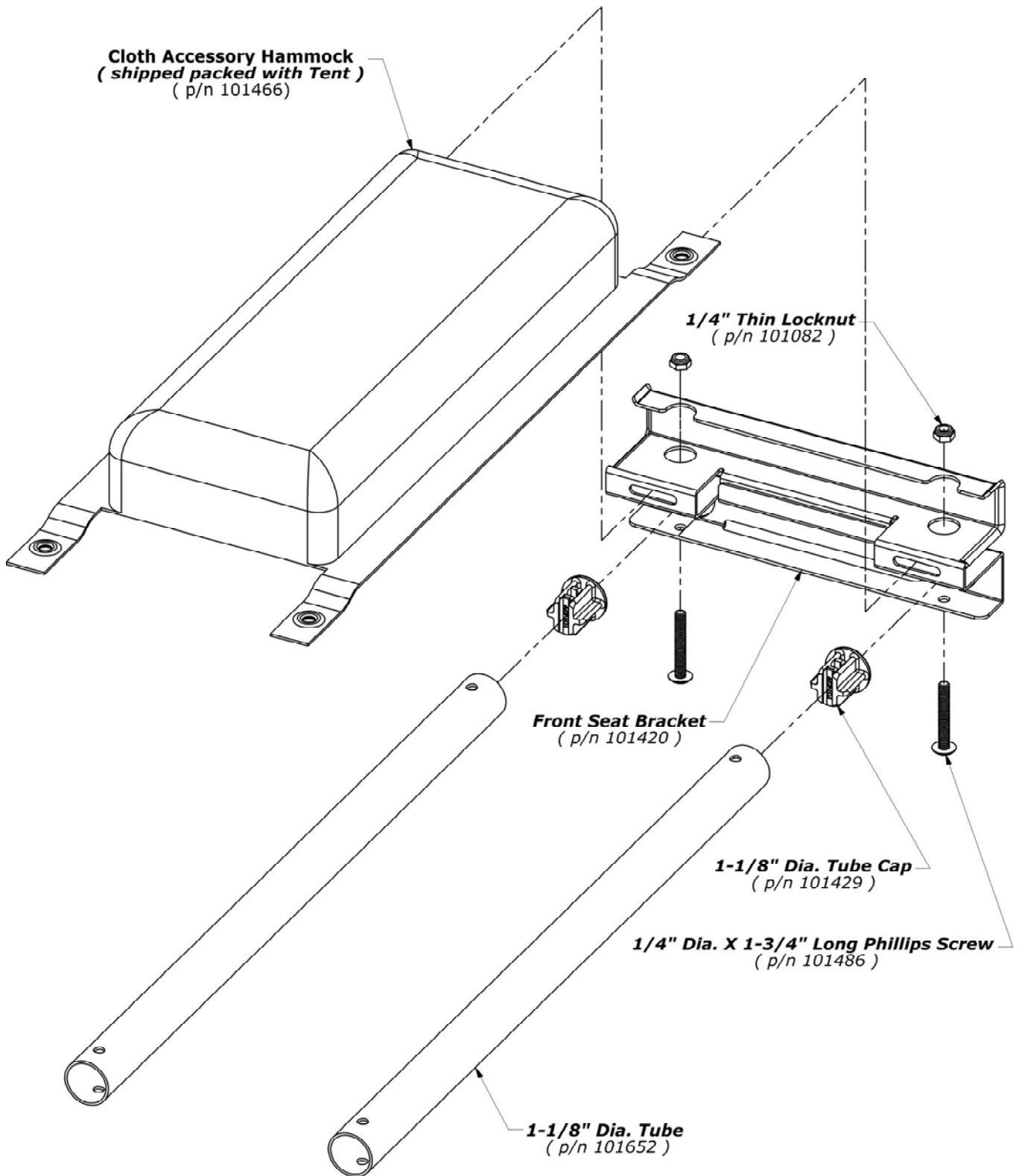
**1/4" X 1/2" Long Hex Head Screw**  
( p/n 101470 )

**Assembly from Step One**

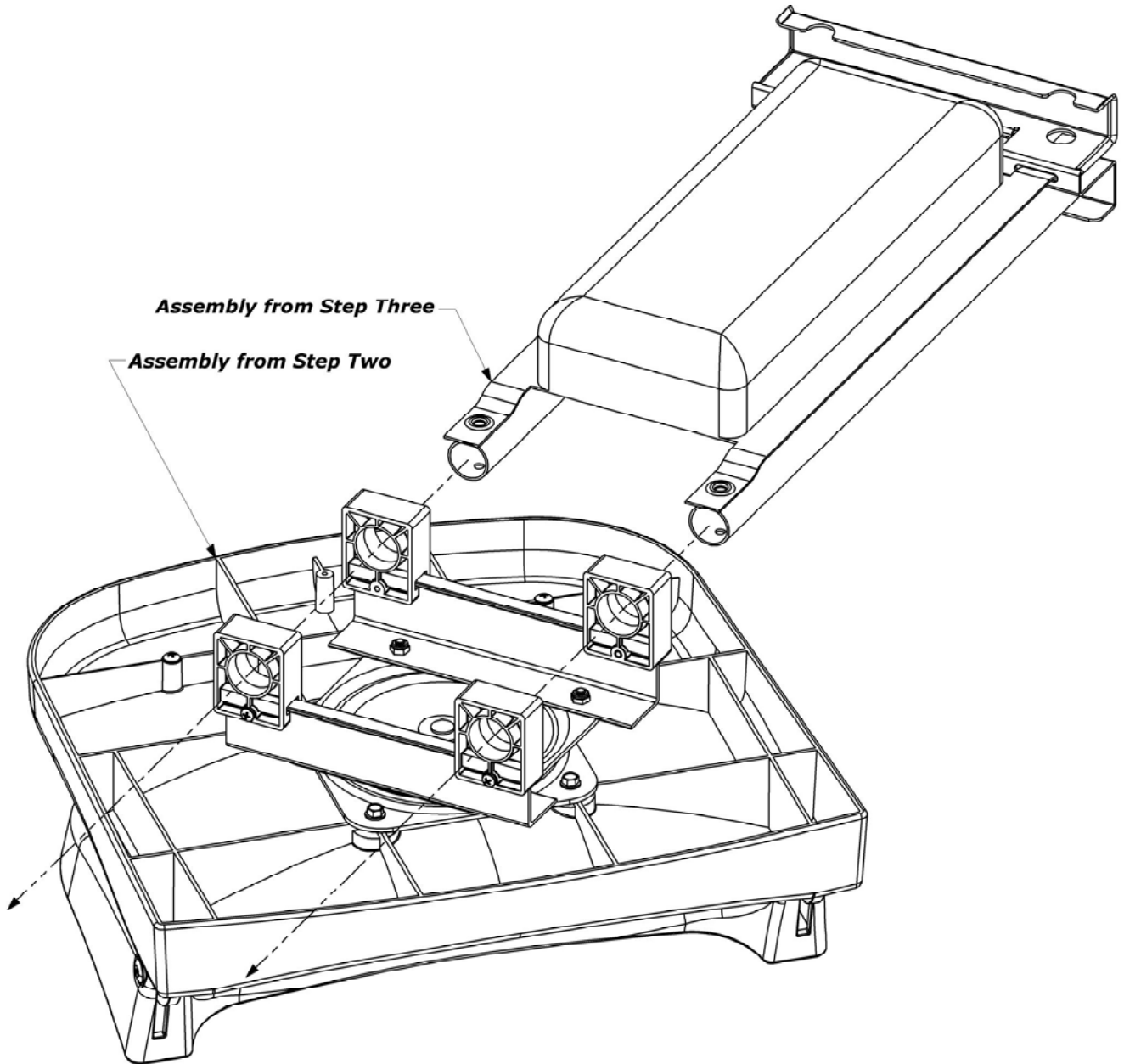


**Folding Seat Assembly**  
( p/n 101463 )

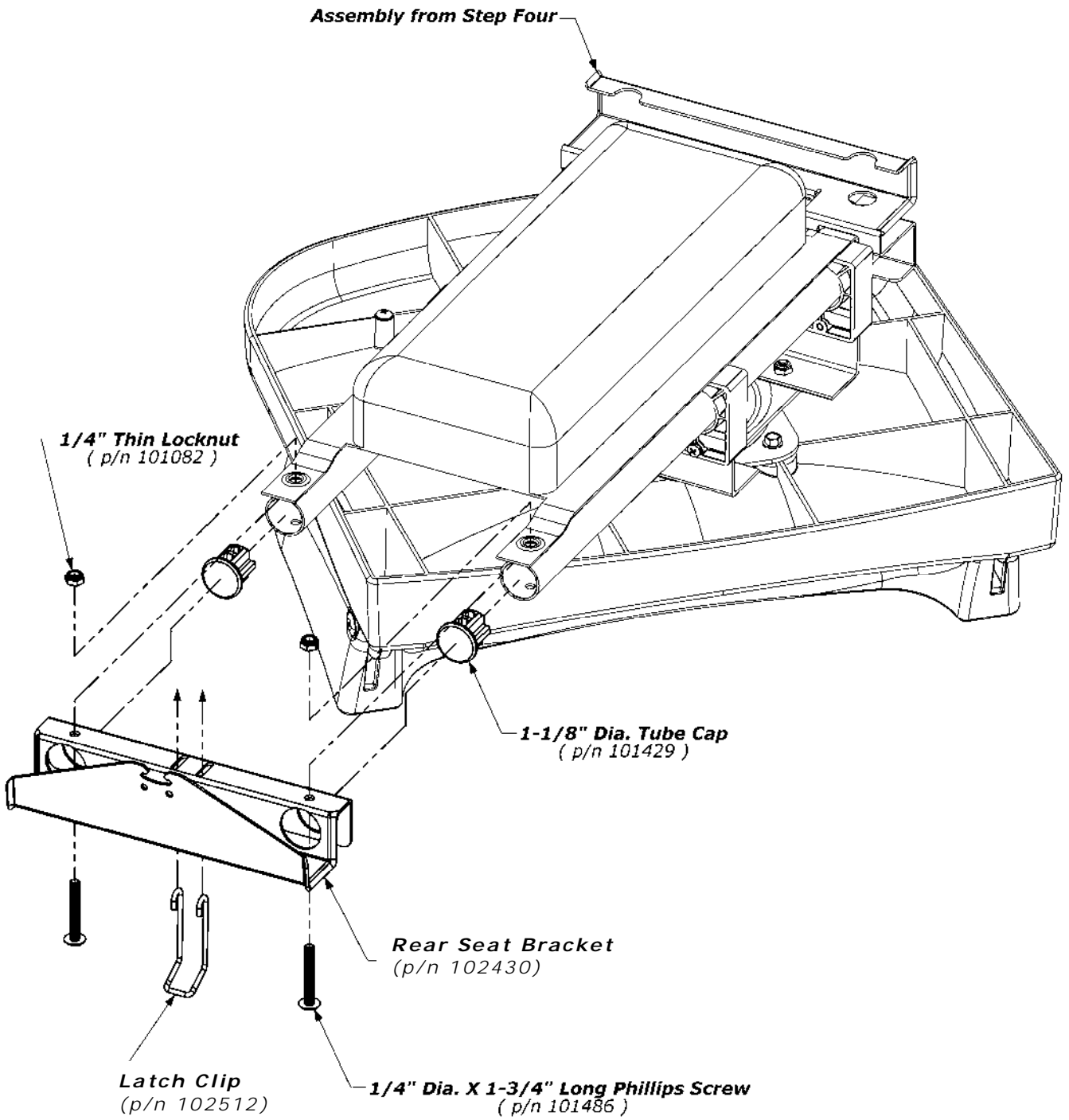
- Step Three -



- Step Four -

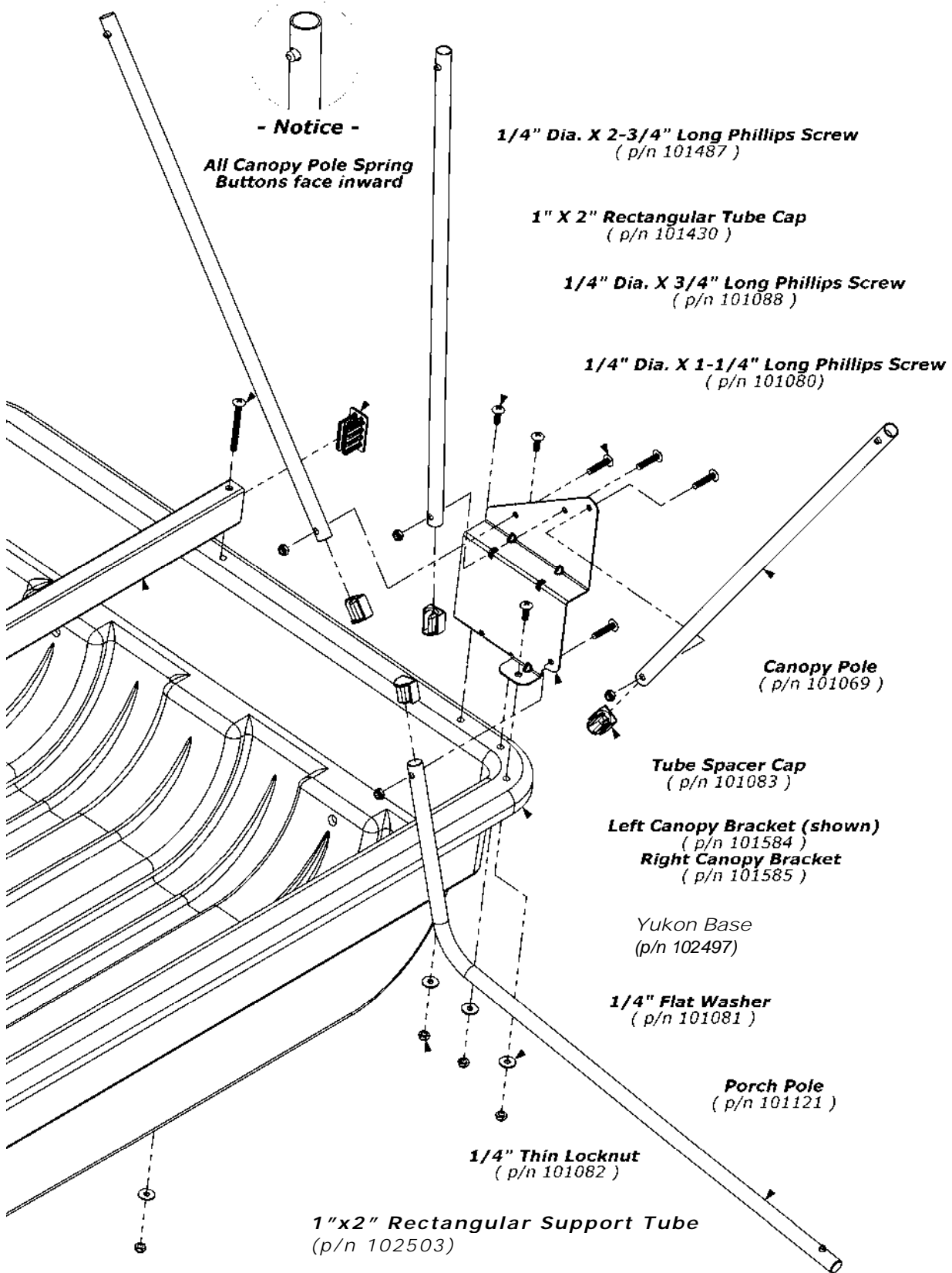


- Step Five -





**- Step Six -**

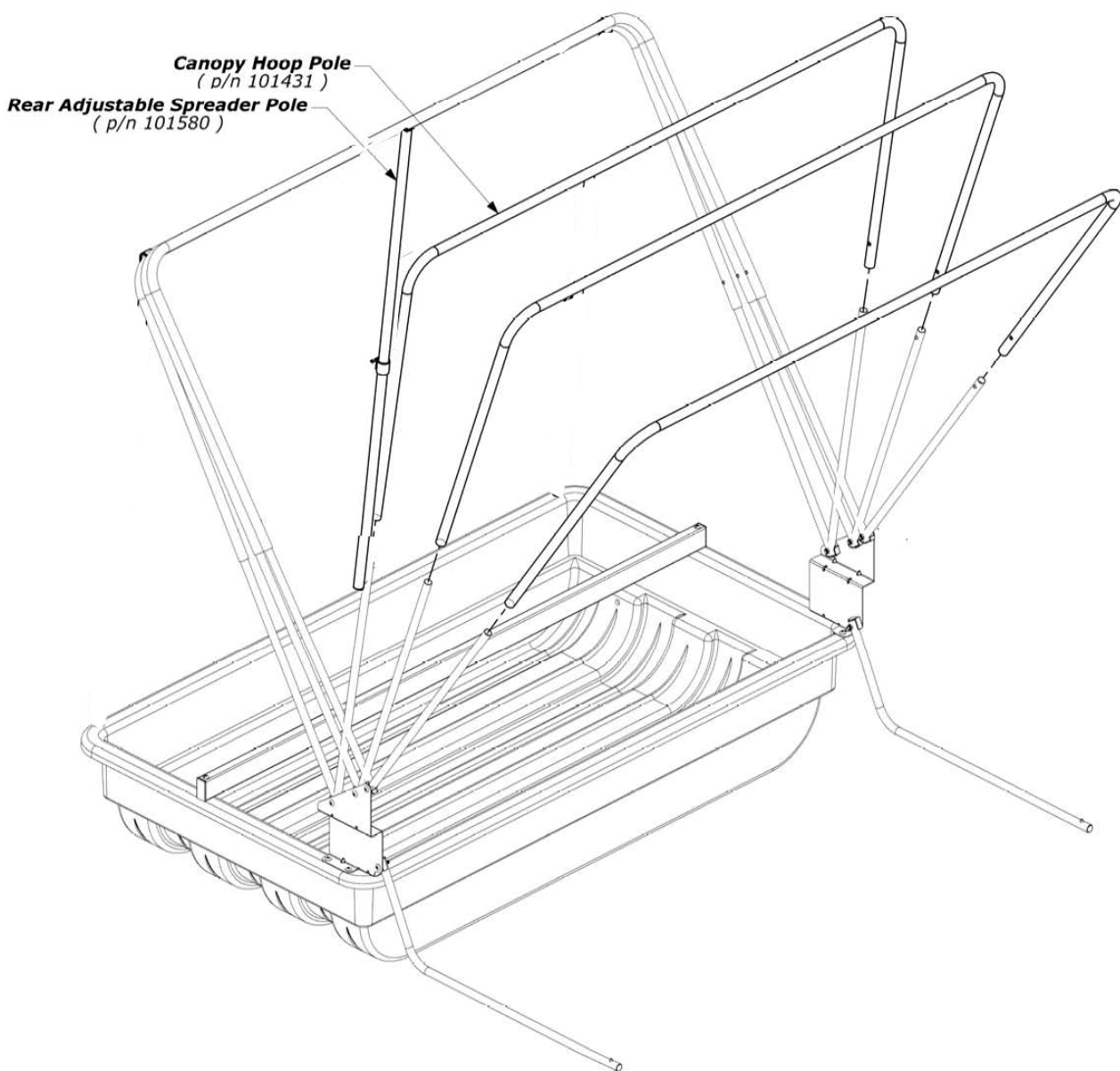


## - Step Seven -

*Slide the canopy hoop poles onto the canopy poles until the spring buttons engage the holes near the ends of each canopy hoop pole.*

*Support the first canopy hoop pole as pictured with the rear adjustable spreader poles (the shorter of the two provided lengths).*

*Lean the two remaining canopy hoop poles against the first.*

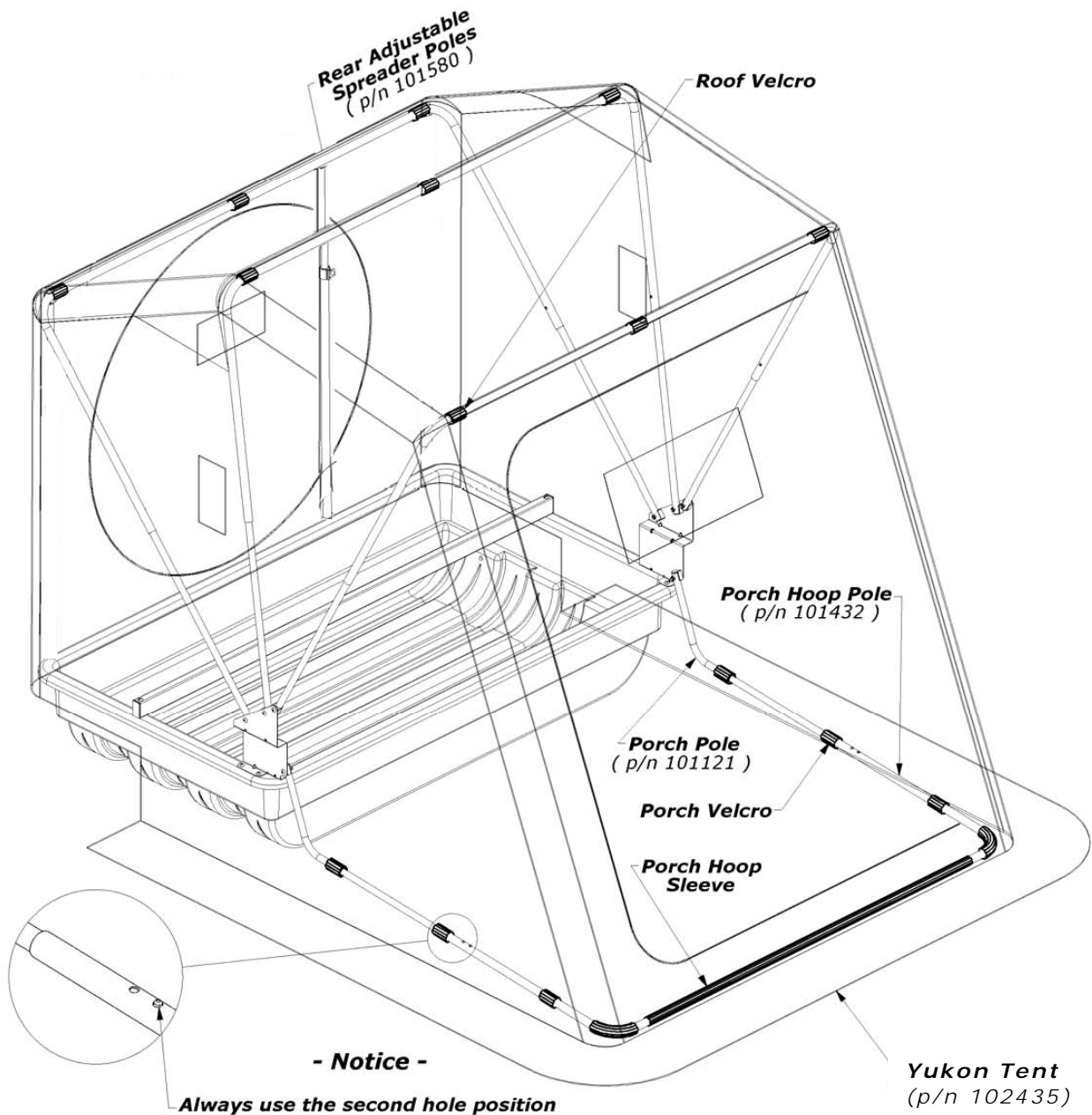


## - Step Eight -

*Drape the tent over the supported hoops then go inside and spread out the canopy hoop poles, attaching the roof velcro as you go.*

*Orient the porch hoop pole so that the holes face upward and then feed the length of the pole through the three porch hoop sleeves sewn on the Tent. Slide the porch hoop pole onto the porch poles, engaging the second hole position.*

*Attach the porch hoop velcro on each side of the tent. Remove the rear adjustable spreader poles now supporting the hoops to allow the tent to be "set" in the next step.*



## - Step Nine -

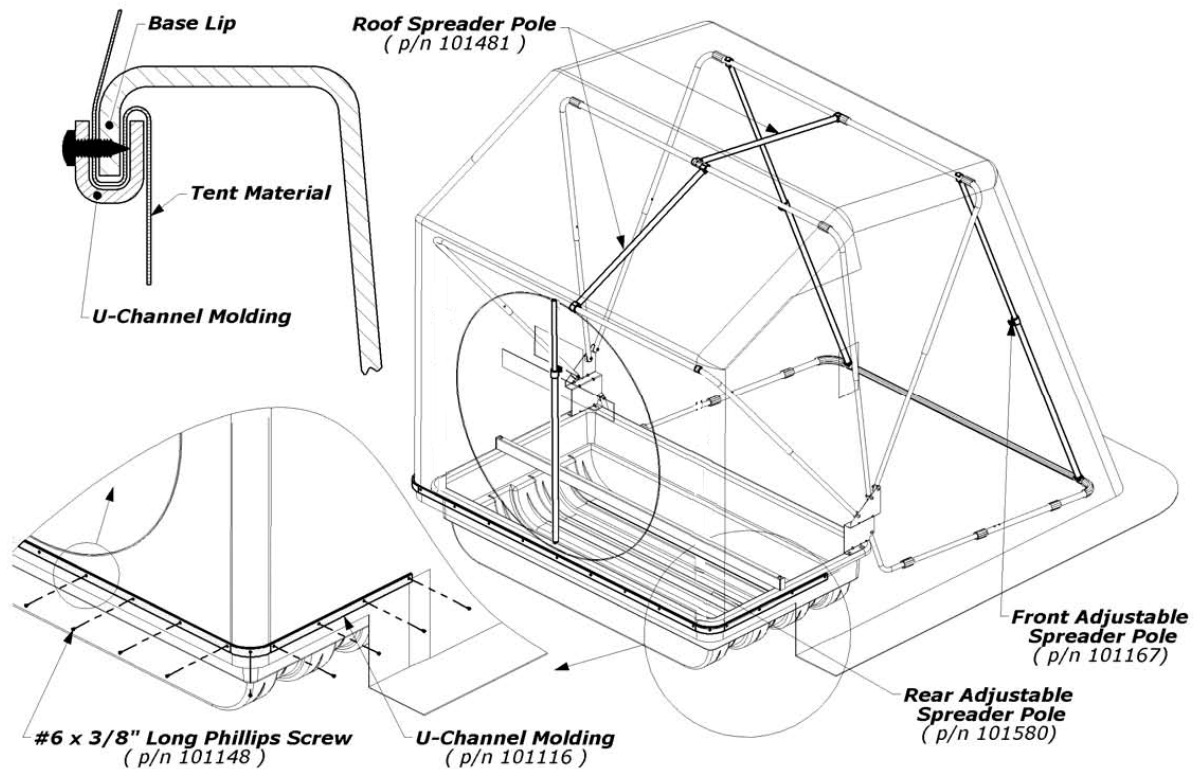
To "set" the tent, grasp the tent material at the rear of the shelter and pull it downward. Observe the porch area of the tent lifting accordingly as you pull. When the U-Channel molding is correctly installed, the porch hoop pole will lightly touch the floor.

To achieve this condition, start by finding the center of the molding. From behind the unit, pull the midpoint of the tent downward and fold the tent material under the base lip. Press the midpoint of the molding over the tent material and base lip. Continue pressing outward in both directions until you have secured about twelve inches of molding onto the base.

Having temporarily secured the tent to the base, take a walk around the unit. Readjust the molding until you have verified the proper porch hoop pole position and also that the tent sides and corners are properly proportioned.

When satisfied, continue applying the molding around the shelter, one direction from center and then the other, pulling the material as you go so that surface is relatively wrinkle-free and snug. Use a side cutters to trim the ends of the molding if they are not equal relative to base.

Reinstall the rear adjustable spreader pole to tighten the fit of the tent. If everything still looks good, secure the molding with the #6 phillips screws. Evenly space them about every ten to twelve inches, and also put a screw in the center of both corners. Since there aren't any predrilled holes, it's advisable to use a powered driver for this operation.



## - Step Ten -

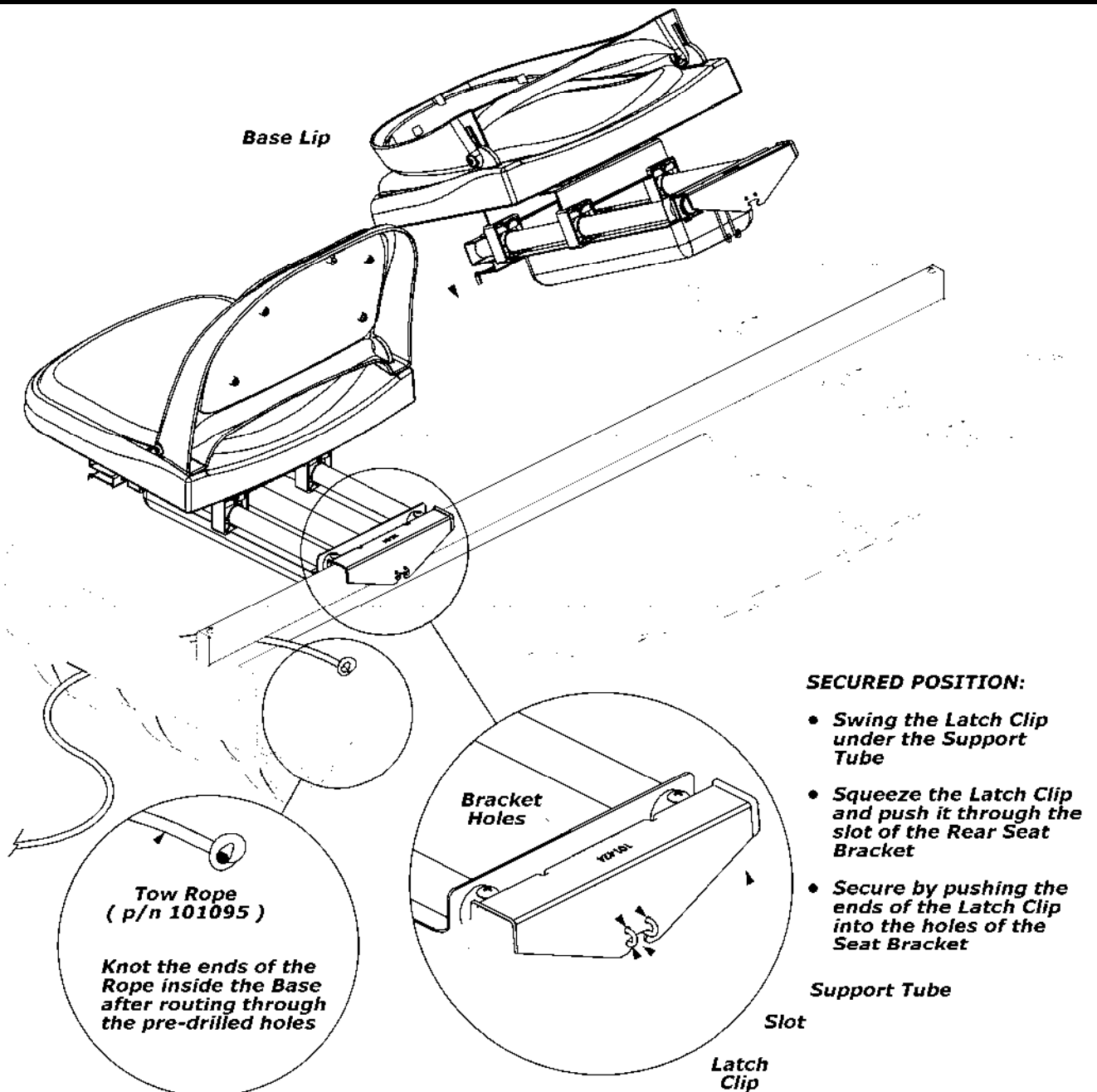
Angle the seat assembly slightly while placing the bottom lip of the front seat bracket under the outside edge of the base lip.

Tilt the complete assembly downward so that the rear seat bracket lands upon the support tube.

Reach under the rear seat bracket and slide the latch clip outwards and then up against the underside of the support tube. Squeeze the latch clip into the horizontal slot of the rear seat bracket.

Secure the position of the latch clip by pushing it into the two holes located above the horizontal slot of the rear seat bracket.

**WARNING: ALWAYS KEEP THE LATCH CLIP IN THE SECURED POSITION DURING USE. FAILURE TO DO SO COULD RESULT IN INJURY FROM THE SEAT COMING OFF OF ITS MOUNTING SYSTEM.**



## - Tips for Use -

*Folding and transporting your Fish Trap is easy:*

- *Unsnap the roof spreader poles, rear spreader poles, and front spreader poles. Lay them in the bottom of the base.*
- *Push the spring buttons and retract each hoop, starting with the rear hoop and working towards the front. Rotate all retracted hoops to the resting position. Tuck the tent into the base and between the hoops so that no material is left hanging on the ground for transport.*
- *Cover with the Travel Cover\* (an optional but recommended accessory to help prolong the life of the unit). Tow the unit out to your favorite fishing spot! (NOTE: continuous pulling behind a four wheeler or snowmobile may result in premature wear of the base. We recommend the optional Wear Strips\* be mounted to the base of your Fish Trap).*

*Make sure your Ice Shelter is completely dried out before storing for long periods of time. Store your Ice Shelter in a cool, dry place. Keep away from rodents.*

*\*See our accessory catalog or [www.clamcorp.com](http://www.clamcorp.com) for these items and more!*

## - Safety Instructions -

*Please fully understand and follow all safety instructions as outlined. Failure to do so could result in severe injury or death.*

- *Do not use open flame heaters in your ice shelter. Injury or death may result from fire if tent fabric is exposed to open flame. The tent is not fireproof, but the fabric is treated with a fire retardant that meets CPAI-84 specifications. Application of any foreign substance may render the flame retardant properties ineffective. Ice Armor fabric will melt when contact is made with hot surfaces (i.e., heaters).*
- *Death from asphyxiation may result from use of oxygen depleting heaters. Open all vents for fresh air ventilation.*
- *Never leave shelter unattended when set up.*
- *Due to the increase in traffic (snowmobiles, autos, etc.) on area lakes, ice fishing can be hazardous at night. If you choose to fish at night or in poor visibility conditions, be sure to take precautions with lights or reflectors to show drivers your whereabouts. Night time: exterior reflectors must be visible to reduce risk of collisions.*

## - Warranty -

*Clam Corporation warrants to the original retail purchaser that all Clams are free from manufacturer's defects for one (1) year from the date of the original purchase. Warranty does not cover cracked windows, tent tears, broken or bent hoops due to high wind weather conditions or unattended use. Clam Corporation will replace or repair any part found defective within the one (1) year time limit. All parts must be returned to Clam Corporation. Before returning any parts, you must first call or write and acquire a return authorization. All returns must be returned postage-prepaid and include the original cash register receipt (date and purchase price).*

**Note:** Please write the return authorization number on the outside of the package to help ensure the transaction gets processed swiftly and accurately.

## - Limitation of Liability -

*It is expressly understood that Clam Corporation's liability for its products, whether due to breach of warranty, negligence, strict liability, or otherwise, is limited to the repair of the product as stated above. Clam Corporation is not liable for any injury, loss, damage, or expense, whether direct or consequential, including but not limited to loss of use, income, profit, or damage to material arising in connection with the sale, installation, use of, inability to use, or the repair or replacement of Clam Corporation products. Clam Corporation reserves the right to make alterations or modifications in its products at any time, which in its opinion, may improve the performance and efficiency of the product. It shall not be obligated to make such alterations or modifications to products already in service.*