

*the* **CLAM**



**5600**

**Model No.**

**- 8201 -**

**Specifications**

- Height - 77 inches (9" packed)
- Depth - 72 inches (32" packed)
- Width - 60 inches
- Weight - 75 lbs.

**p /n 108330**

Instruction No. 102486



**- Clam Customer Service Information -**

**NOTICE!!** - ONCE USED, THIS SHELTER CANNOT BE RETURNED TO THE STORE. IF YOU HAVE A WARRANTY CLAIM, HAVE YOUR SALES RECEIPT READY AND CONTACT CLAM CORP. CUSTOMER SERVICE BY EMAIL INQUIRY OR DIRECT BY CALLING:

- Customer Service Hrs: - 9am to 4pm, Mon. - Fri. Central Standard Time
- Clam Corporation  
600 Clydesdale Trail  
Medina, MN 55340
- Phone - 763-231-4120
- Fax - 763-231-4121
- Email - [customerservice@clamcorp.com](mailto:customerservice@clamcorp.com)
- Website - [www.clamcorp.com](http://www.clamcorp.com)



CLAM CORPORATION CANNOT HONOR WARRANTY WITHOUT AN ORIGINAL, DATED RECEIPT.

## SAFETY INSTRUCTIONS

Please fully understand and follow all safety instructions outlined in this booklet. Failure to do so could result in severe injury.

- Do not use open flame heaters in your ice shelter. Open vents for cross ventilation.
- Ice Armor fabric will melt when contact is made with hot surfaces (i.e., heaters).
- Never leave shelter unattended when set up.
- Due to the increase in traffic (snowmobiles, autos, etc.) on area lakes, ice fishing can be hazardous at night. If you choose to fish at night or in poor visibility conditions, be sure to take precautions with lights or reflectors to show drivers your whereabouts.



## WARNING

Death from asphyxiation may result from use of oxygen depleting heaters. Open all vents for fresh air ventilation.

Injury or death may result from fire if tent fabric is exposed to open flame.

Tent fabric is not fireproof. Fabric will burn with extended exposure to open flame. Do not use open flame products inside tent. Tent fabric is treated with fire retardant. Application of any foreign substance may render the flame retardant properties ineffective.

Night time: exterior reflectors must be visible to reduce risk of collisions.

This tent is made with flame resistant fabric which meets CPAI-84 specifications.

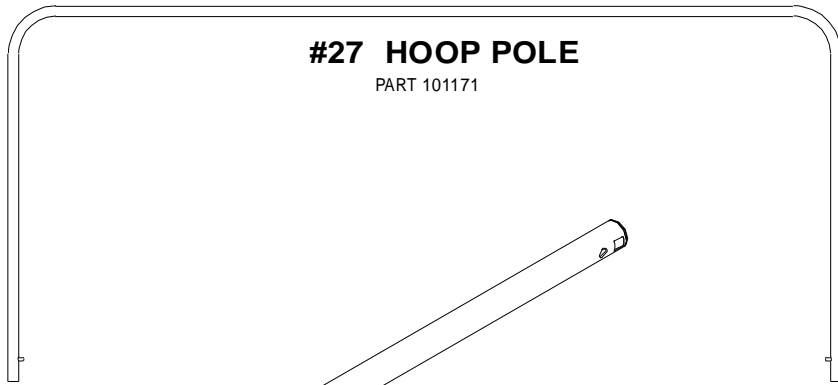
## CLAM 5600 PARTS LIST

If you need replacement parts, contact Clam Corporation's Customer Service at 763-231-4120 or [customerservice@clamcorp.com](mailto:customerservice@clamcorp.com). Customer service hours: 9am – 4pm, weekdays, central time.

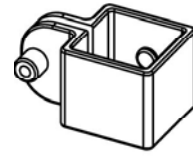
<u>ITEM #</u>	<u>DESCRIPTION</u>	<u>QTY.</u>	<u>PART NO.</u>
1	TENT	1	102441
2	CLAM FLOOR 60 X 32	2	101156
3	CLAM CENTER 60 X 9	1	101161
4	PLYWOOD, 1/2 X 11-7/8"	2	101184
5	HOLE COVER, 12 X 24	2	101185
6	SPREADER TUBE	2	101186
7	LATCH	8	101189
8	RIVET, 3/16 X 5/8	8	101190
9	NUT, KEPS	8	101191
10	NUT, NYLOCK	6	101163
11	ROPE, 9'	1	101095
12	ROPE, 3/8 X 20" BRAIDED POLY	2	101200
13	STRAP ATTACHMENT	10	101202
14	LATCH, RUBBER W/PIN	2	101203
15	WASHER, 1"	10	101206
16	SCREW, 3/4"	4	101212
17	A SUPPORT BRACE	2	101197
18	B SUPPORT BRACE	2	101192
19	SCREW, 1-1/2" TRUSS HEAD	2	101208
20	CARRIAGE BOLT, 5/8"	8	101209
21	DOME POLE	1	101182
22	STAPLE, 1-1/2"	6	101210
23	BOLT, 1-3/4"	4	101211
24	SCREW, 3/4"	10	101207
25	SQUARE POLE ASSY	4	101645
26	ROUND POLE ASSY	4	101646
27	HOOP POLE	2	101171
28	HINGE CONNECTOR	4	101641

# PARTS IDENTIFICATION

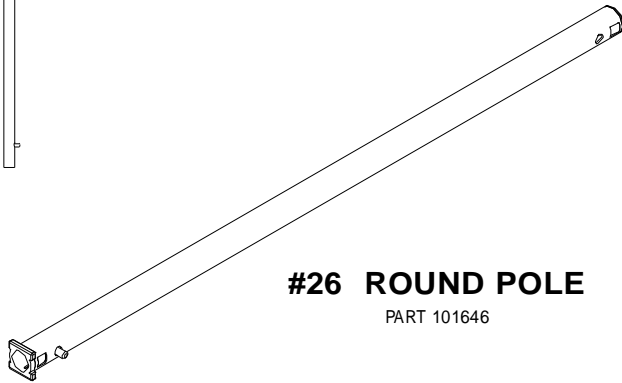
(Parts on this page are NOT actual size.)



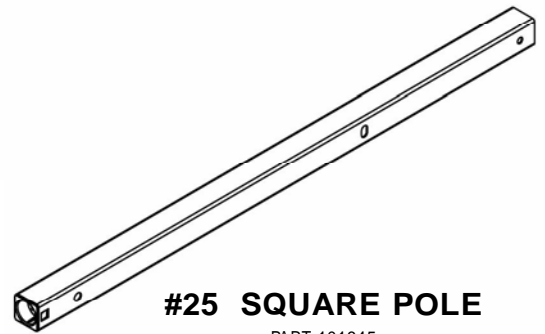
**#27 HOOP POLE**  
PART 101171



**#28 HINGE CONNECTOR**  
PART 101641



**#26 ROUND POLE**  
PART 101646



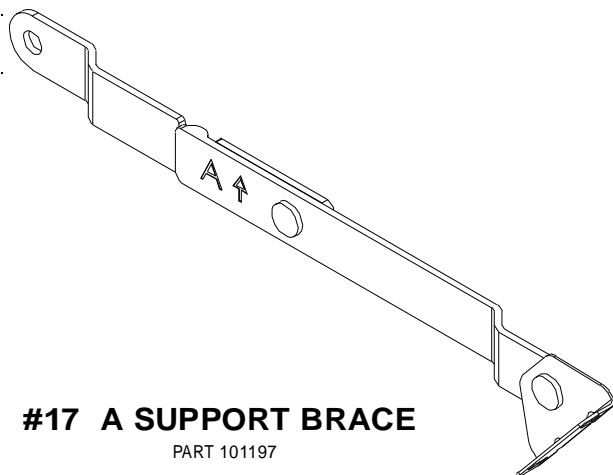
**#25 SQUARE POLE**  
PART 101645



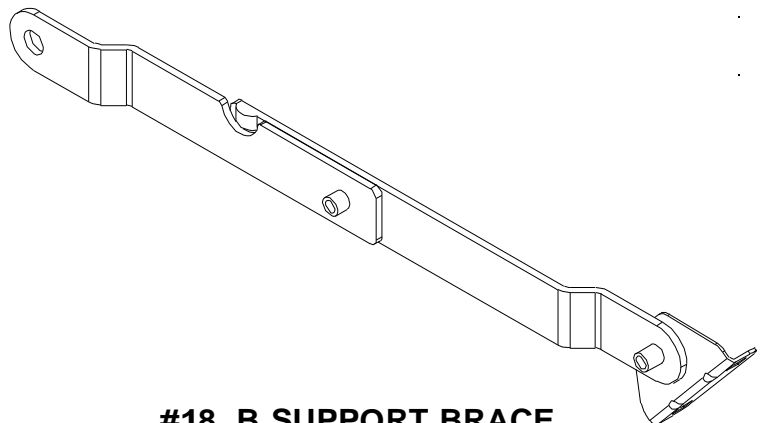
**#6 SPREADER TUBE**  
PART 101186



**#21 DOME POLE**  
PART 101182

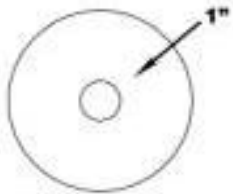


**#17 A SUPPORT BRACE**  
PART 101197



**#18 B SUPPORT BRACE**  
PART 101192

# PARTS IDENTIFICATION



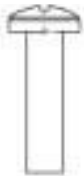
**#15 1" WASHER**  
PART 101206



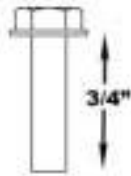
**#10 NYLOCK NUT**  
PART 101163



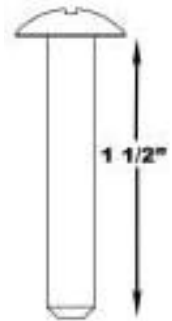
**#9 KEPS NUT**  
PART 101191



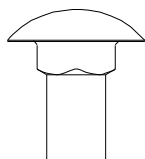
**#16 3/4" SCREW**  
PART 101212



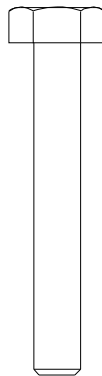
**#24 3/4" SCREW**  
PART 101207



**#19 1-1/2" SCREW**  
PART 101208

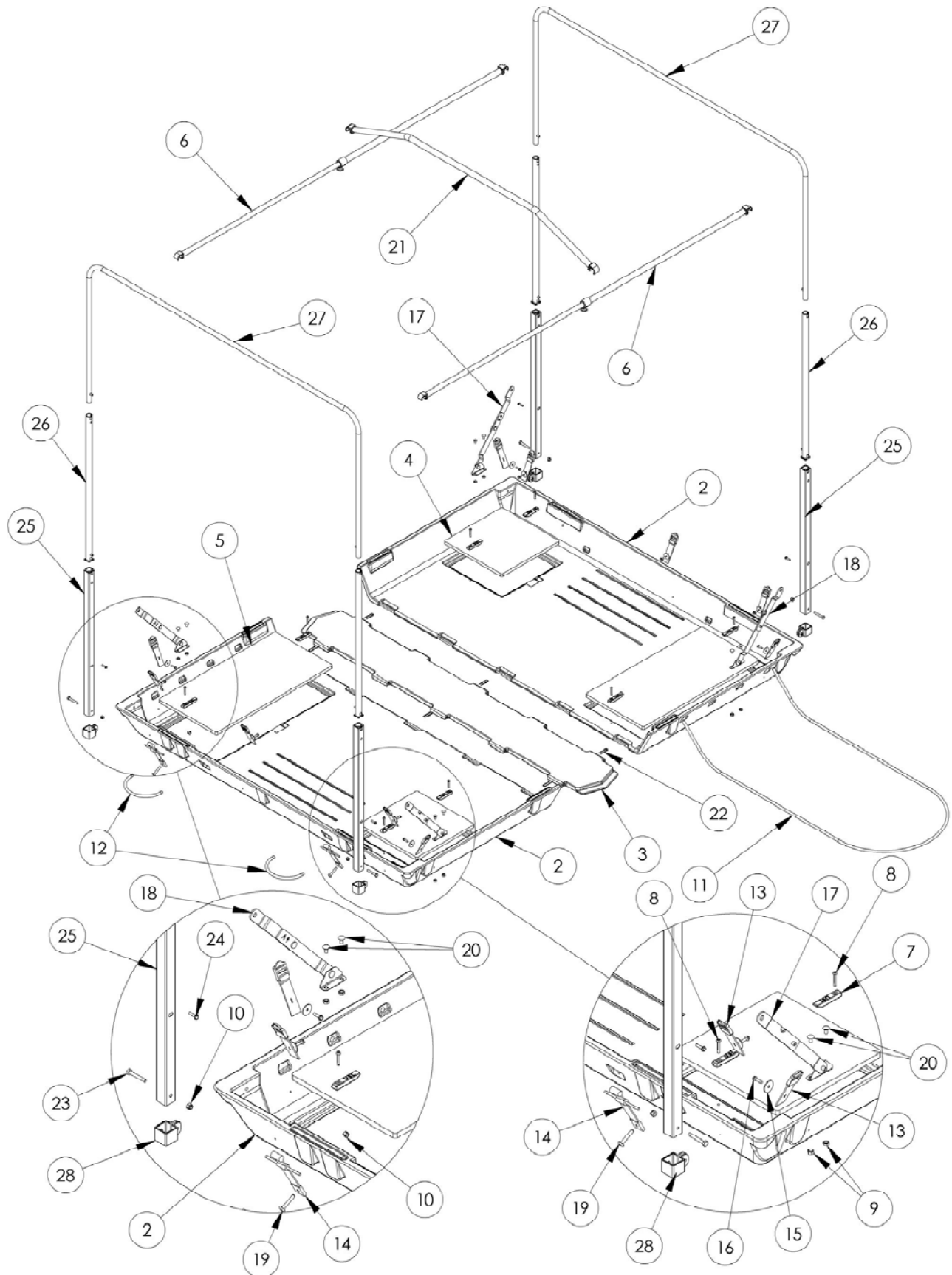


**#20 CARRIAGE BOLT**  
PART 101209



**#23 1-3/4" BOLT**  
PART 101211

# CLAM 5600 EXPLODED DRAWING



# ASSEMBLY INSTRUCTIONS

**BEFORE ATTEMPTING TO USE THIS PRODUCT ON THE ICE** practice setting up and taking down at home in the comfort of a heated area. Repeat several times until comfortable. This will make your on-ice set-up much easier.

**NO TOOLS ARE NEEDED FOR ASSEMBLY OF YOUR CLAM 5600.**

## 1. INITIAL SET-UP

- a. Open the Clam 5600 and lay on a flat level surface. **See Diagram A.**
- b. Lift up the two hoop pole sections until the snap button locks into place. Lock the braces. **See Diagram B.** (Both ends.)
- c. Unfold the tent and unzip both doors. Pull the tent over the two hoop poles. **See Diagram C.**
- d. On the door ends of the tent on the top of the seam, you will see two velcro strips. Attach the two velcro strips to the two hoop poles on the top of doors.

## 2. INSERT POLES

- a. Insert the two spreader tubes (#6) on each end of the hoop pole. **See Diagram D.**
- b. Adjust the spreader tubes until the hoop poles are at a 90 degree angle and tent is snug, then tighten the adjustment knob.
- c. Install the dome pole (#21) in the center of the 5600. **See Diagram E.** (*Note: The dome pole is the non-adjustable pole.*)

## 3. FASTEN THE TENT

- a. Fasten the tent to the base by placing the elastic straps around the notches in the base. **See Diagram F.**
- b. Continue fastening the tent to the base by inserting the strap from the tent through the back of the buckle. **See Diagram G.** Pull the strap until the elastic on the buckle starts to stretch. Fold the tab on the buckle over and all the way down to fasten. **See Diagram H.** (*Note: This only needs to be done the first time you set up your 5600.*)

## 4. INSTALL LICENSE (*Check with local authorities for the requirements of your area.*)

- a. Locate the clear sleeve sewn to the outside of the tent. Slide the required documentation of you area into the sleeve for display.

## ASSEMBLY INSTRUCTIONS

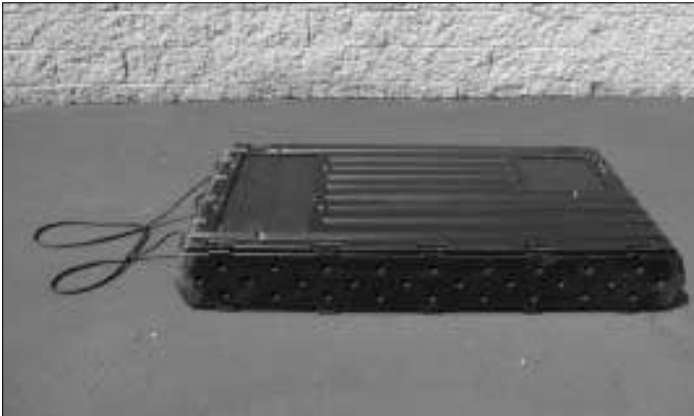
### 5. DISMANTLING YOUR CLAM

- a. To take your Clam 5600 down, repeat steps 1–3 in reverse order. Lay all the poles on one side of the base. Fold the tent into the base, making sure you don't fold or crease the windows as that could cause them to crack. See Diagram J.
- b. Close up the base and secure the rubber latches. See Diagram K.

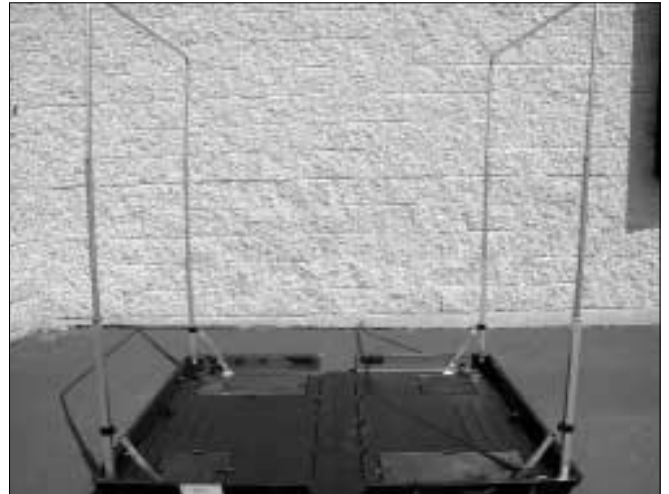
**Note:** Continuous pulling behind a four wheeler or snowmobile will result in premature wear of the base. We recommend a ski or slide system be mounted to the base of your Clam (i.e., nylon strapping or old downhill or cross country skis).

## ASSEMBLY DIAGRAMS

**DIAGRAM A**



**DIAGRAM B**

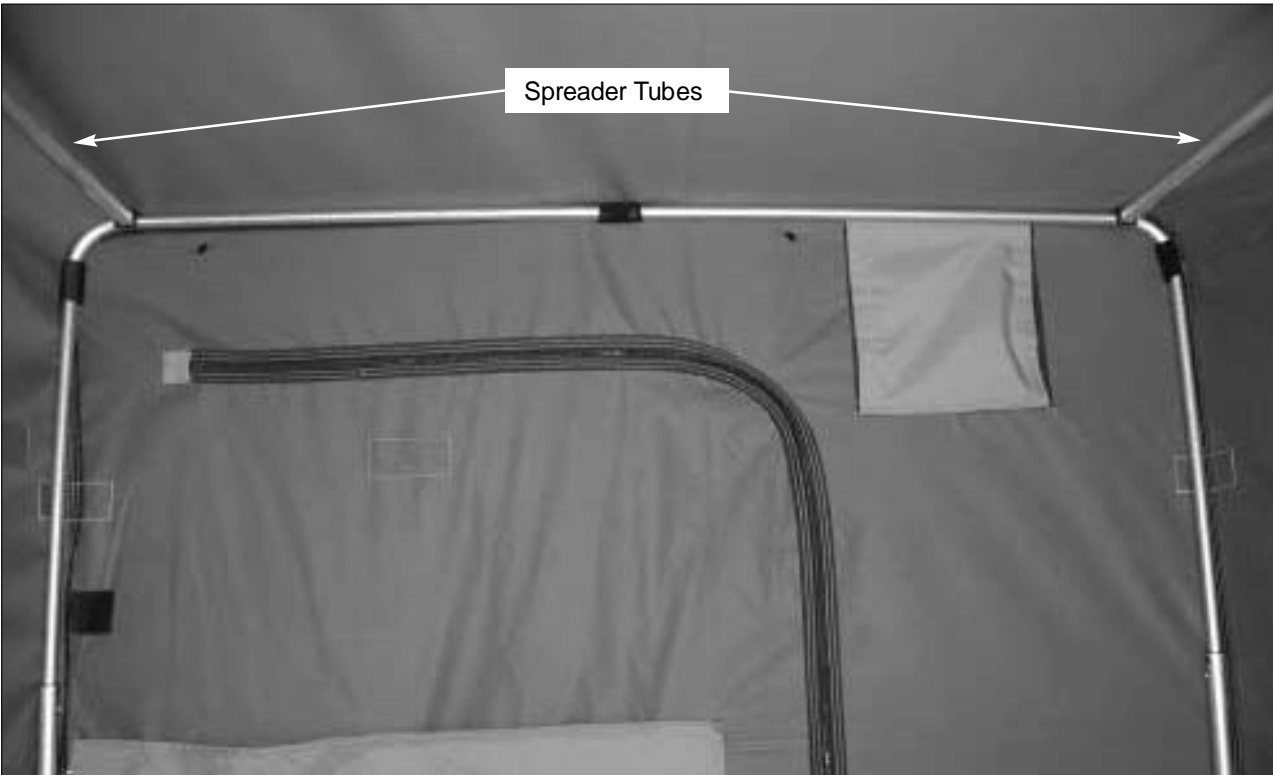


# ASSEMBLY DIAGRAMS

**DIAGRAM C**



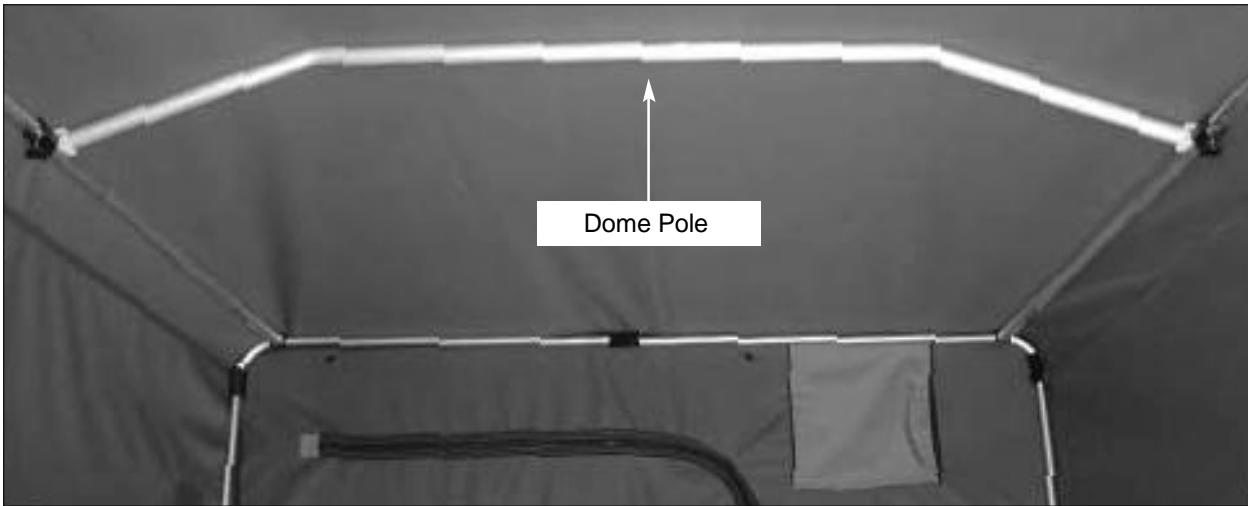
**DIAGRAM D**





# ASSEMBLY DIAGRAMS

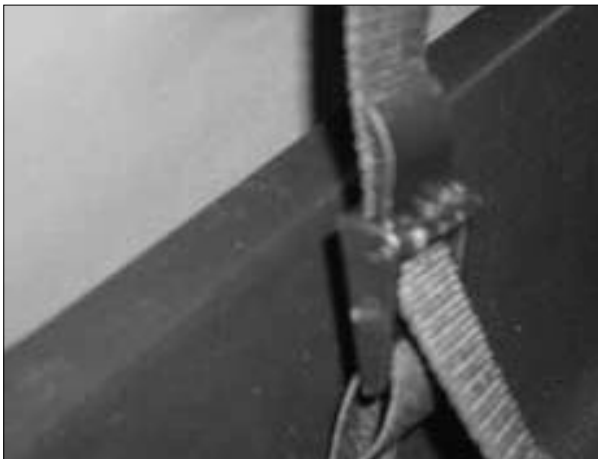
**DIAGRAM E**



**DIAGRAM F**



**DIAGRAM G**



**DIAGRAM H**



# ASSEMBLY DIAGRAMS

## DIAGRAM I



## DIAGRAM J



## **- Safety Instructions -**

*Please fully understand and follow all safety instructions as outlined. Failure to do so could result in severe injury or death.*

- *Do not use open flame heaters in your ice shelter. Injury or death may result from fire if tent fabric is exposed to open flame. The tent is not fireproof, but the fabric is treated with a fire retardant that meets CPAI-84 specifications. Application of any foreign substance may render the flame retardant properties ineffective. Ice Armor fabric will melt when contact is made with hot surfaces (i.e., heaters).*
- *Death from asphyxiation may result from use of oxygen depleting heaters. Open all vents for fresh air ventilation.*
- *Never leave shelter unattended when set up.*
- *Due to the increase in traffic (snowmobiles, autos, etc.) on area lakes, ice fishing can be hazardous at night. If you choose to fish at night or in poor visibility conditions, be sure to take precautions with lights or reflectors to show drivers your whereabouts. Night time: exterior reflectors must be visible to reduce risk of collisions.*

## **- Warranty -**

*Clam Corporation, Inc. warrants to the original retail purchaser that all Clams are free from manufacturing defects for one (1) year from the date of the original purchase. Warranty does not cover cracked windows, tent tears, broken or bent hoops due to high wind weather conditions or unattended use. Clam Corporation will replace or repair any part found defective within the one (1) year time limit. All parts must be returned to Clam Corporation, Inc. Before returning any parts, you must first call or write and acquire a return authorization. All returns must be returned postage-prepaid and include the original cash register receipt (date and purchase price).*

**Note:** Please write the return authorization number on the outside of the package with the return article to help ensure the transaction gets processed swiftly and accurately.

## **- Limitation of Liability -**

*It is expressly understood that Clam Corporation liability for its products, whether due to breach of warranty, negligence, strict liability, or otherwise, is limited to the repair of the product as stated above. Clam Corporation is not liable for any injury, loss, damage, or expense, whether direct or consequential, including but not limited to loss of use, income, profit, or damage to material arising in connection with the sale, installation, use of, inability to use, or the repair or replacement of Clam Corporation products. Clam Corporation reserves the right to make alterations or modifications in its products at any time, which in its opinion, may improve the performance and efficiency of the product. It shall not be obligated to make such alterations or modifications to products already in service.*

