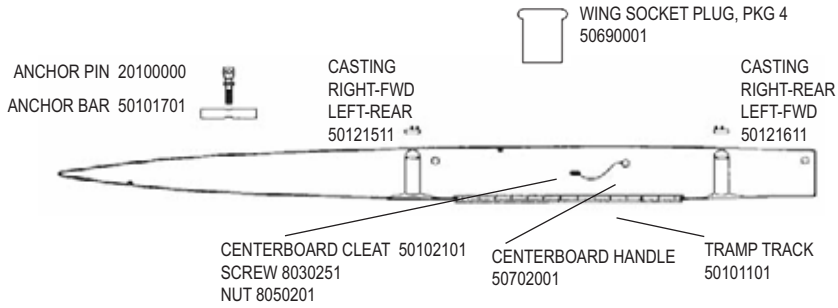
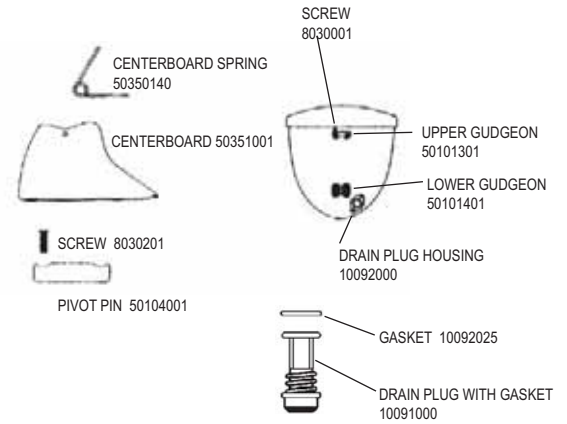


# HOBIE 17 / 17 SPORT

REPLACEMENT HULL WHITE - LEFT 50101001  
 REPLACEMENT HULL WHITE - RIGHT 50102001



## H17 HULL/DECK

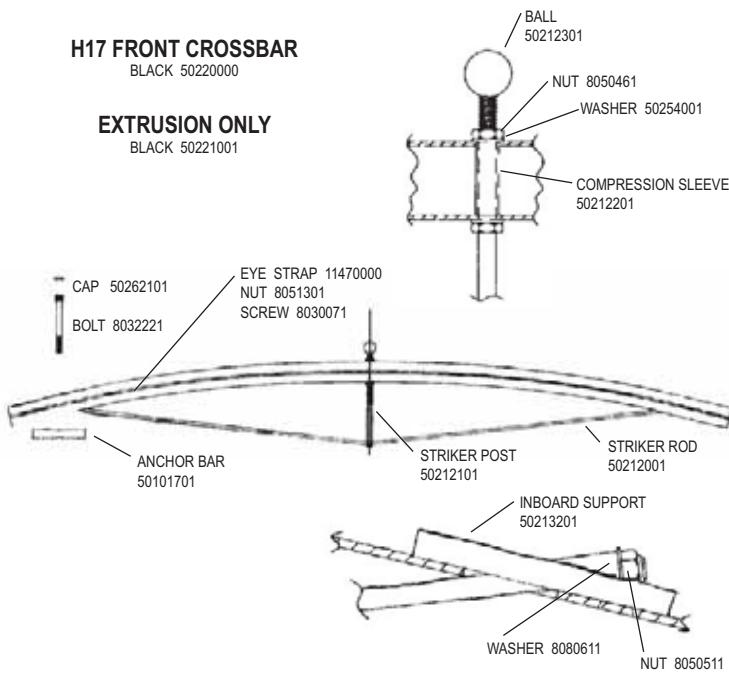


## H17 FRONT CROSSBAR

BLACK 50220000

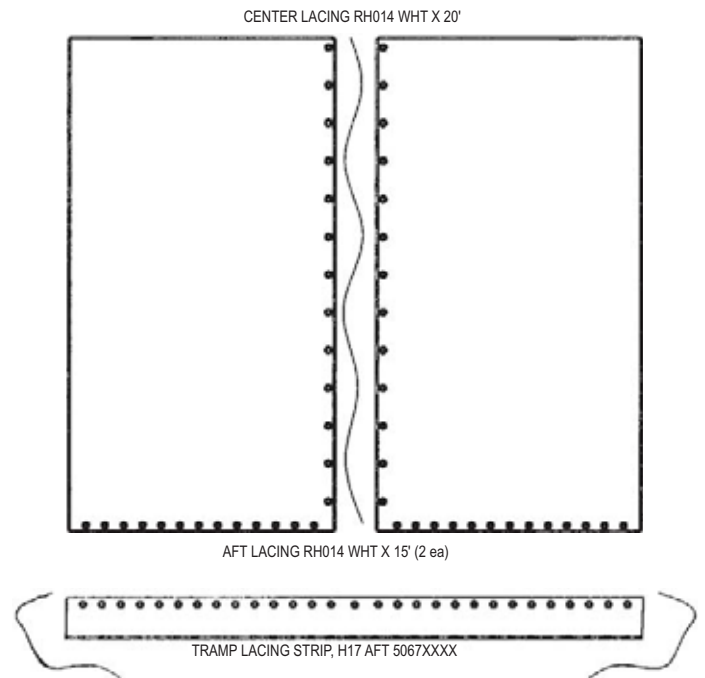
### EXTRUSION ONLY

BLACK 50221001



## H17 TRAMPOLINE

COMPLETE TRAMPOLINES (Does not include lace line)  
 WHITE 50670000  
 BLACK MESH 50670091  
 TURQ MESH 50670058



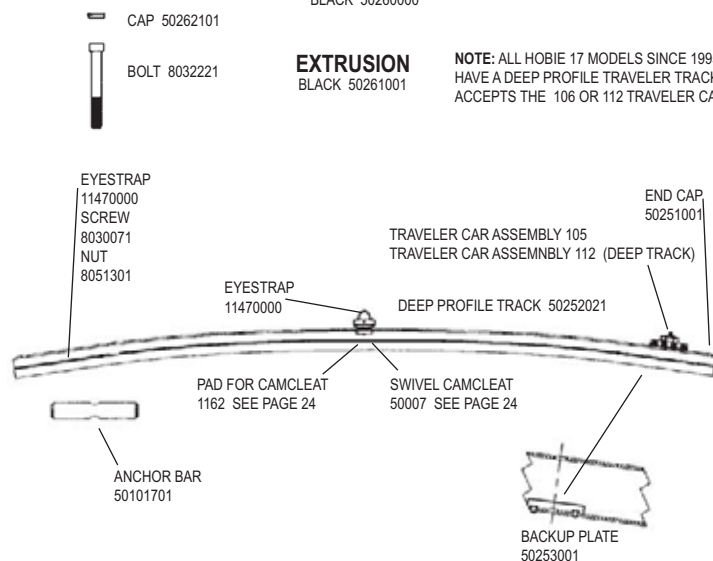
## H17 REAR CROSSBAR ASSEMBLY

BLACK 50260000

### EXTRUSION

BLACK 50261001

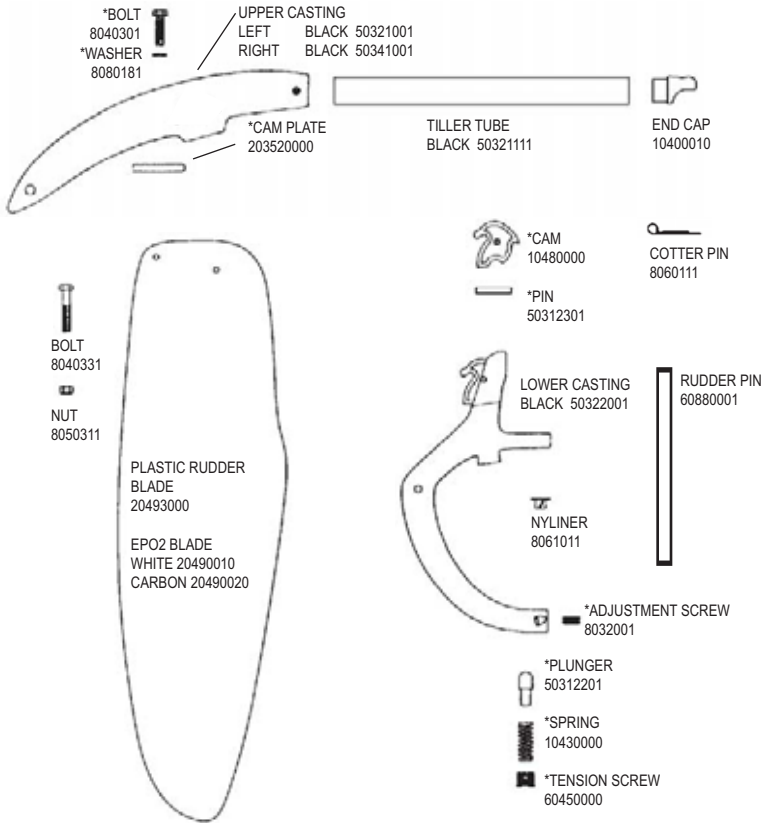
NOTE: ALL HOBIE 17 MODELS SINCE 1995 HAVE A DEEP PROFILE TRAVELER TRACK THAT ACCEPTS THE 106 OR 112 TRAVELER CAR



To order from your nearest Hobie Cat dealer  
 U.S.A. [hobiecat.com](http://hobiecat.com) 1-800-HOBIE-49  
 Australasia [hobiecat.com.au](http://hobiecat.com.au) 1-800-4-Hobie

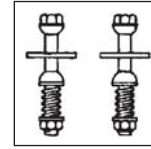
## H17 RUDDER ASSEMBLY

\* = SUB ASSEMBLY PART / INCLUDED WITH CASTING



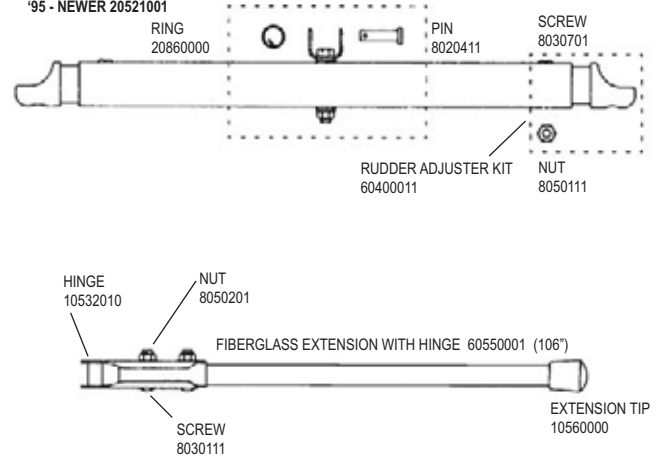
## H17 TILLER

TILLER CONNECTOR KIT 11520005



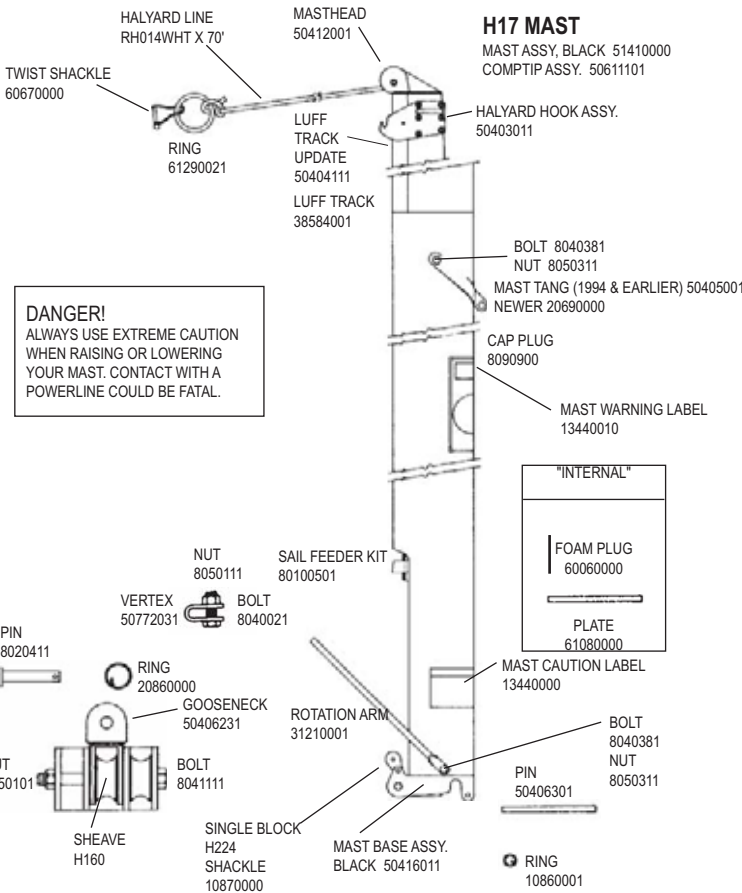
TILLER CROSSBAR BLACK 20520011  
'95 - NEWER 20521001

HINGE YOKE ASSY. 3205



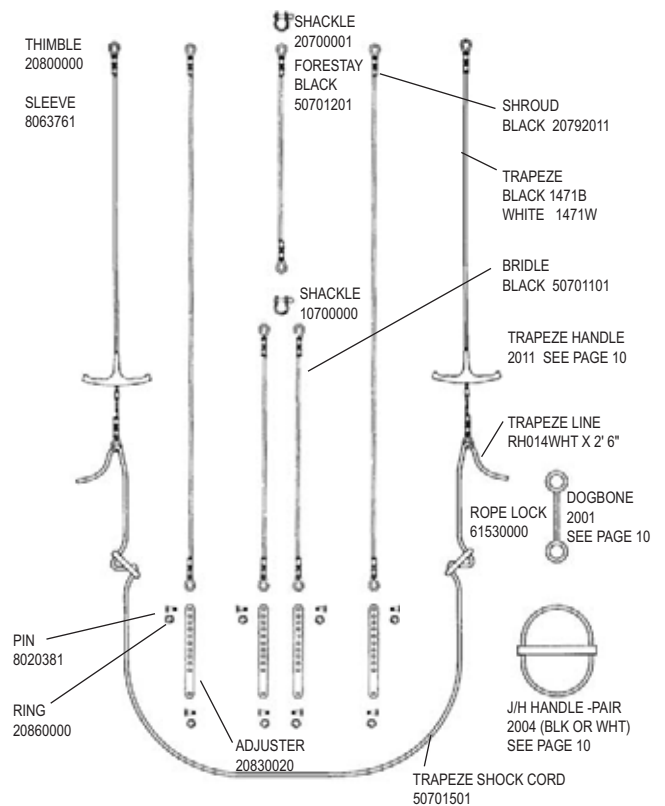
## H17 MAST

MAST ASSY, BLACK 51410000  
COMPTIP ASSY. 50611101

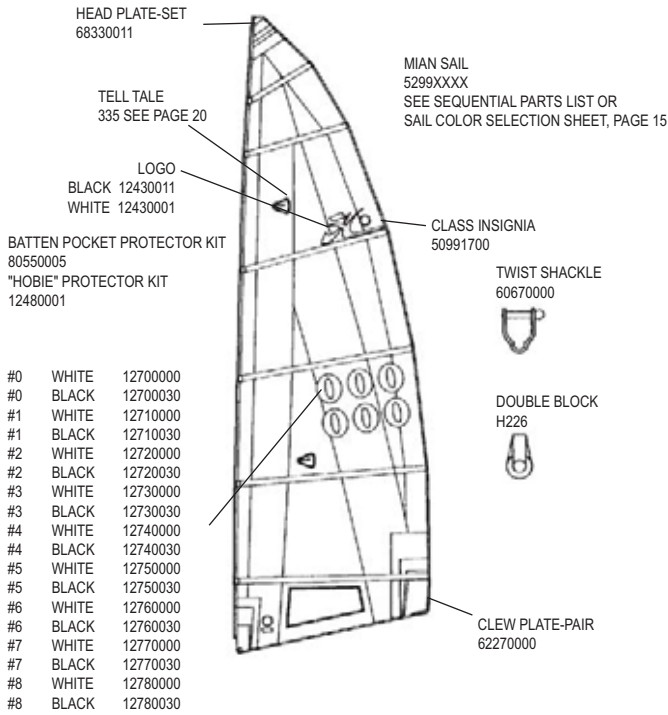


## H17 WIRES

(See page 55 for Sport 17 Wires)



## H17 SAIL

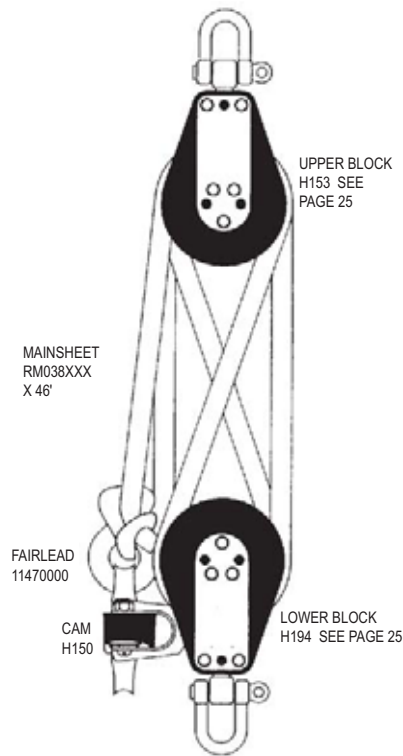


DOWNHAUL LINE  
RH316WHT X 5'

SAIL BAG  
21310000

BATTEN TIE  
RH112WHT X 18"

## H17 BLOCK SET



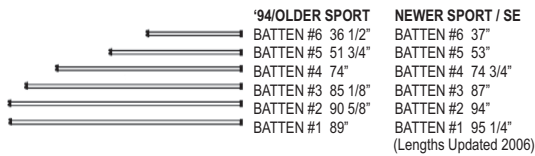
## H17 Rivet Guide

( ) indicates quantity needed to fasten part

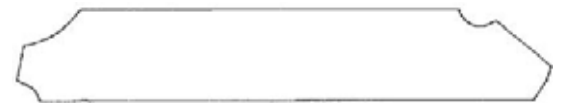
<b>Mast</b>	
Head	8010131 (2)
Halyard Hook	8011231 (3)
Base	8010131 (2)
<b>Rear Crossbar</b>	
Swivel Jammer	8010201 (1)
	8031501 (2)
	8031231 (2)
	8080011 (1)
	8050801 (1)
Dead Eye	8010181 (4)
Back Up Plate	8010201 (4)
Track	8010201 (44)
<b>Hull</b>	
Trampoline Track	8010121 (9)
(backup washers required on above, 61360000)	
<b>Boom</b>	
End Cap (gooseneck)	8010131 (2)
Block Hanger	8010181 (4)
End Cap	8010131 (2)
<b>Rudder (Upper Casting)</b>	
Casting	8011231 (4)
End Cap	8010131 (2)
<b>Sail Hardware</b>	
Headboard	8010020 (16)
Main Clew Plate	8010020 (10)
Batten Pocket	8010020 (4)
Jib Clew Plate	8010020 (6)
(above rivets require setting machine which is not available in a hand tool)	
<b>Wing</b>	
End Cap	8010051 (1)
Castings	8010131 (8)
<b>Forward Cross Bar - Sport</b>	
Swivel Cam Cleats	8010131 (4)

## H17 / 17 SPORT BATTENS

(FOR INDIVIDUAL BATTENS SEE UNIVERSAL BATTENS ON PAGE 18)



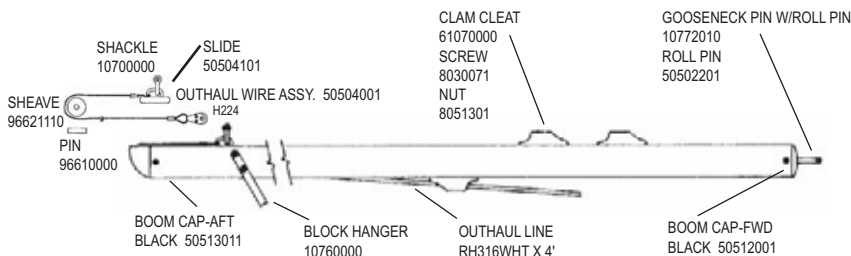
## H17 WINGS SET W/O TRAMPOLINES 50650000



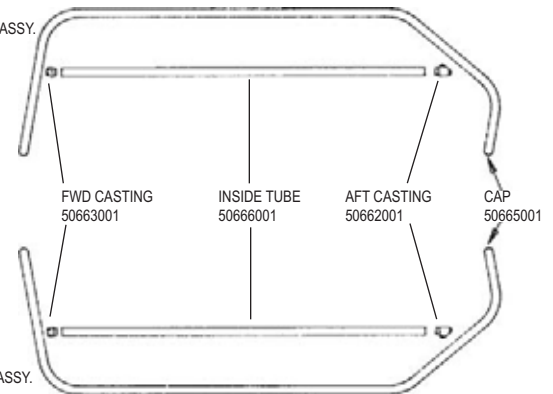
WING TRAMP SET  
WHITE 50650100  
BLACK MESH 50650900  
TURQ MESH 50650958

## H17 BOOM

BLACK 50510000



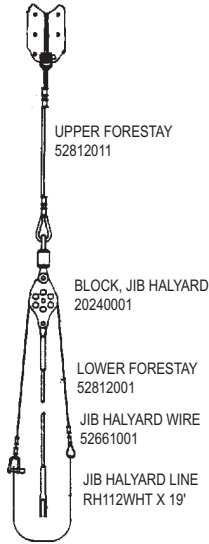
RIGHT-WING ASSY.  
50680001



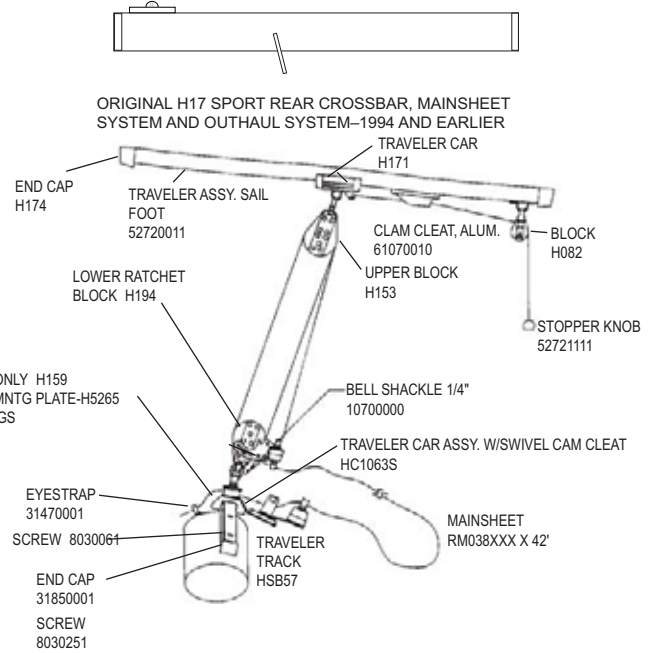
# HOBIE 17 SPORT SPECIFIC

NOTE: WHERE A SPECIFIC ITEM IS NOT IDENTIFIED, USE THE STANDARD HOBIE 17 LINE DRAWINGS.

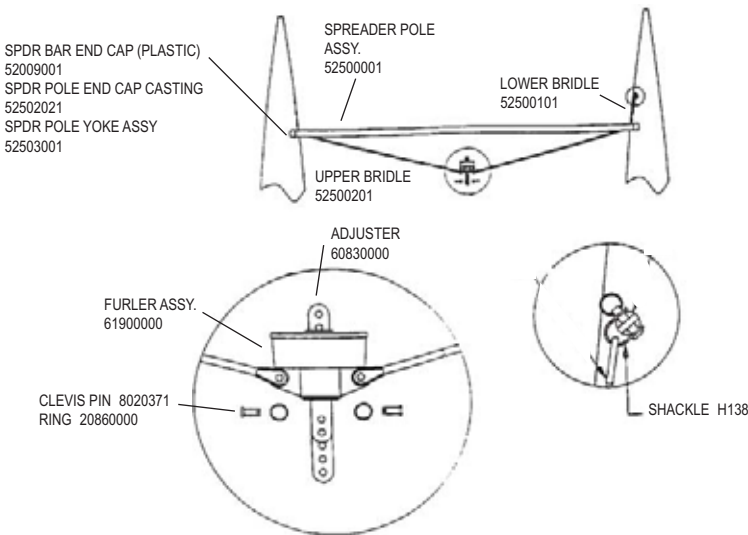
## H17 SPORT FORESTAY



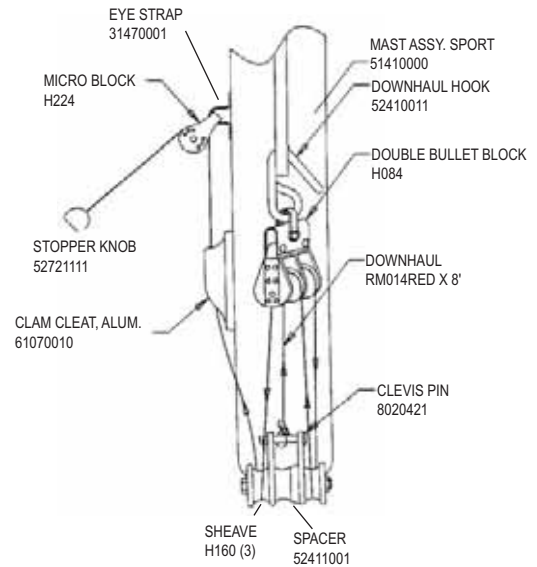
## SPORT BOOMLET ASSEMBLY (NEWER, 95 - CURRENT) 52722011



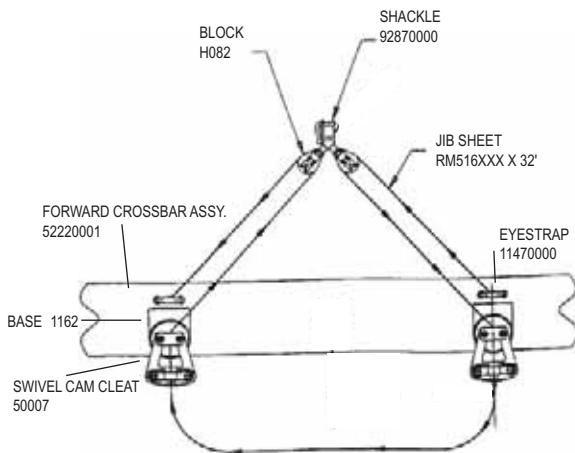
## H17 SPORT SPREADER POLE & FURLER



## H17 SPORT MAST ASSY. & DOWNHAUL



## H17 SPORT FRONT CROSSBAR



To order from your nearest Hobie Cat dealer  
U.S.A. [hobiecat.com](http://hobiecat.com) 1-800-HOBIE-49  
Australasia [hobiecat.com.au](http://hobiecat.com.au) 1-800-4-Hobie