

EPSON Stylus® C80

Start Here

1 Unpack Everything

Before you begin, make sure your computer is set up completely.

- 1 Remove all the tape and packing material from the printer before you set up, as shown here. The tape may be in slightly different locations on your printer, so be sure to check inside and all around the printer for tape and other packing material.



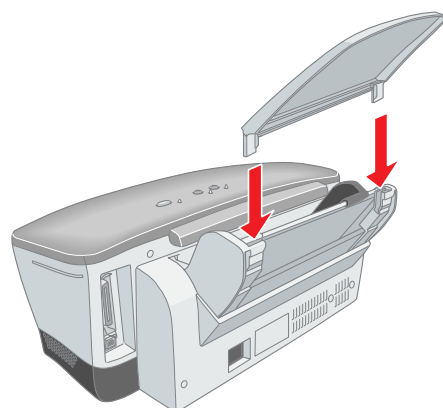
- 2 Your printer comes with the items shown here. Make sure you've also got a USB or parallel cable to connect your printer.



Follow all the "Safety Instructions" listed in the *Printer Basics* book.

2 Put On the Paper Support

Locate the paper support slots on the back of the printer. Position the paper support as shown here, then slide it into the slots. (Don't place it in the paper feeder.)



3 Connect the Printer to Your Computer

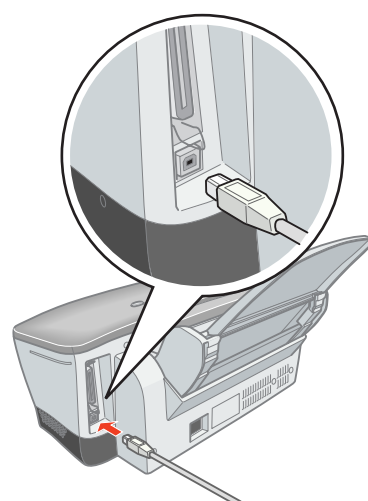
Connect the printer to either a USB port or parallel port. **Don't connect both cables; you only use one or the other.** Follow the instructions in the appropriate section below.

Shut down your computer before connecting the cable. In Windows®, click **Start** and select your **Shut Down** or **Turn Off** option.

If You Have a USB Port

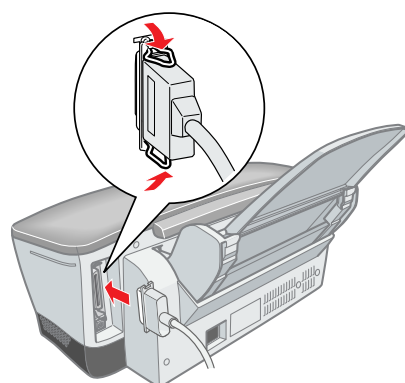
(USB connection is not supported for Windows® 95 or Windows NT® 4.0.)

- 1 Make sure the printer and computer are turned off.
- 2 Connect the square end of the USB cable to your printer's USB port.
- 3 Connect the flat end of the cable to your computer's USB port or a first tier USB hub port.



If You Have a PC Parallel Port

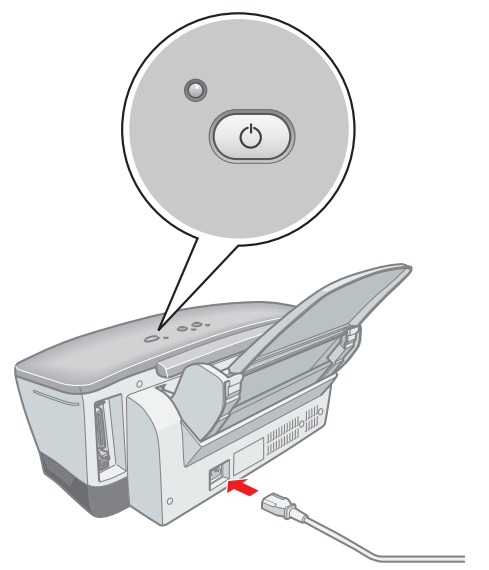
- 1 Make sure the printer and computer are turned off.
- 2 Connect the larger end of the parallel cable to your printer's parallel port. Then secure it with the wire clips by pushing them inwards, as shown.
- 3 Connect the other end of the cable to your computer's parallel port and secure it as necessary.



4 Turn On the Printer

- 1 With the printer and computer still turned off, plug the printer's power cord into the AC inlet on the back of the printer. Then plug the power cord into a grounded electrical outlet.
- 2 Press the power button to turn on the printer. The power light flashes and the ink cartridge holders begin to move. Don't turn on your computer yet.

CAUTION Always use the power button to turn the printer on or off. Never use an external switch, such as a power strip switch or wall switch.



5 Install the Ink Cartridges

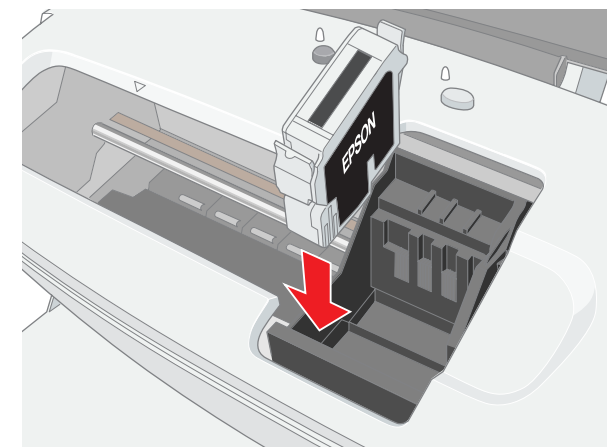
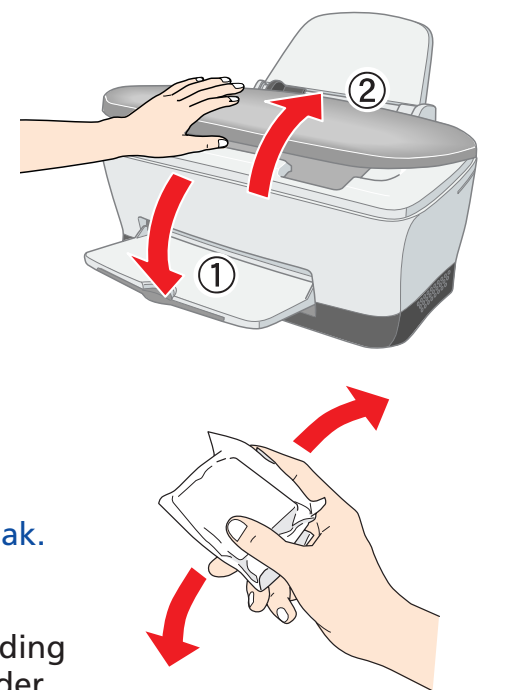
- 1 Lower the printer's output tray and open the cover.

WARNING Keep ink cartridges out of the reach of children. If ink gets on your skin, wash the area thoroughly with soap and water. If ink gets in your eyes, flush them immediately with water.

- 2 Shake each ink cartridge four or five times. Then unwrap the cartridges.

CAUTION Don't remove the cartridge labels, or ink may leak.

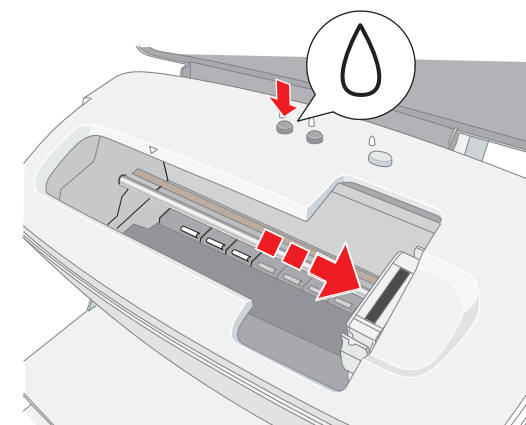
- 3 Wait for the ink cartridge holders to move into loading position. Then lower each ink cartridge into its holder. The color of the cartridge label should match the sticker on the holder.



CAUTION Install all four ink cartridges, and leave them installed for all types of printing, or the printer won't work.

- 4 Gently push each cartridge down until it clicks into place.

- 5 Press the ink button and close the printer cover.

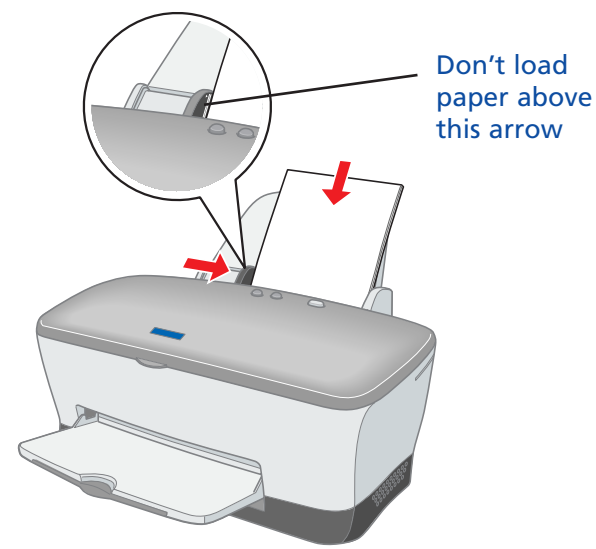


Ink charging takes about 90 seconds. You will see the power light flash and hear the printer charging your ink. Don't turn off the printer during this process or you'll waste ink.

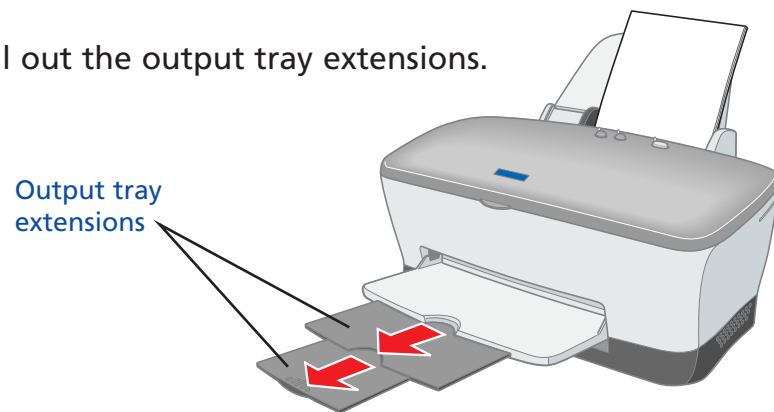
CAUTION Never turn off the printer when the power light is flashing, unless the printer hasn't moved or made any noise for more than 5 minutes.

6 Put in Paper

- 1 Fan a few sheets of paper and load them against the right edge guide. Then slide the left edge guide against the paper. Make sure the paper lies flat against the paper support.



- 2 Pull out the output tray extensions.



7 Install Your Windows Software

Locate the CD-ROM that came with your printer. Check to see which version of Windows you have, then follow the right set of instructions for your system.

Windows XP

Your computer may have the EPSON printer software already installed. **Make sure the printer is still turned on, then turn on your computer.**

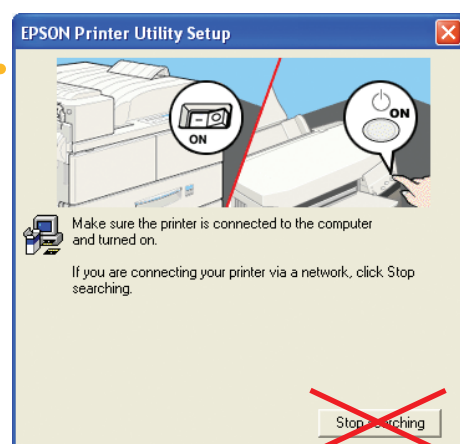
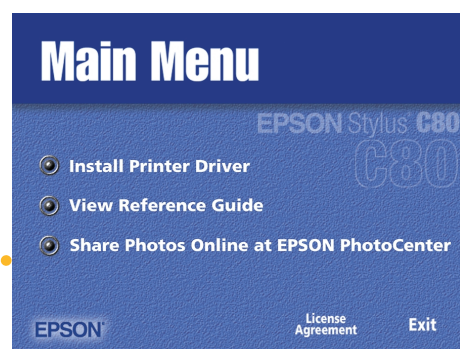
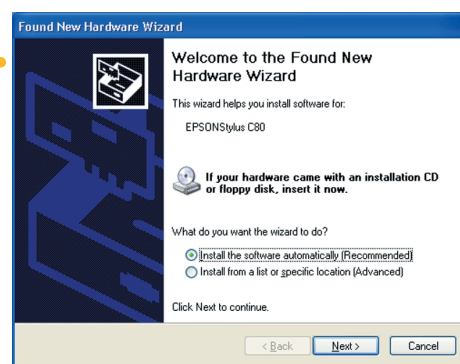
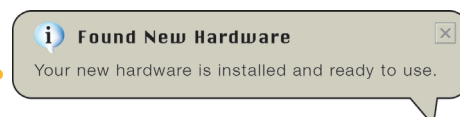
If you see this message in the bottom right corner of your screen.....

You're ready to start printing!

If you see this screen.....

Click **Cancel**. Then follow the steps below to install printer software:

- 1 When you see the Windows icons on your monitor, put the EPSON CD-ROM in your CD-ROM or DVD drive.
- 2 If you see a screen asking **What do you want Windows to do?**, click **Cancel**.
- 3 Click **Start**, click **My Computer**, double-click **EPSON**, and then double-click **EPSON**.
- 4 Read the license agreement and click **Agree**.
- 5 At the Main Menu, click **Install Printer Driver**.
- 6 If you see this screen, make sure the printer is connected and turned on. Wait for a minute for the screen to disappear. Do **not** click **Stop searching**.
- 7 When you see a message that setup is complete or the printer port has been set, click **OK**. The EPSON Product Registration screen appears.
- 8 Register your printer as instructed. At the last screen, click **Done** or close your browser. Now you're ready to print!
- 9 To place a link to EPSON's free photo-sharing website on your desktop, click **Share Photos Online at EPSON PhotoCenter**. On the next screen, click **Add Icon**, then click **OK**.
- 10 Click **Back**, and then click **Exit** to close the Main Menu. Remove the CD-ROM. You're ready to start printing!

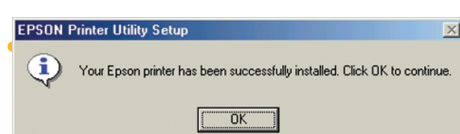


Windows 98, Me, and 2000

Your computer may have the EPSON printer software files already installed. **Make sure the printer is still turned on, then turn on your computer.**

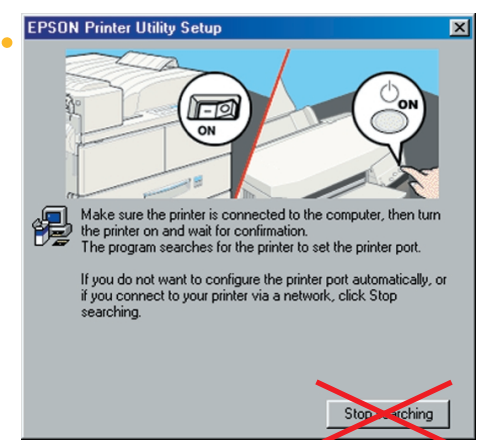
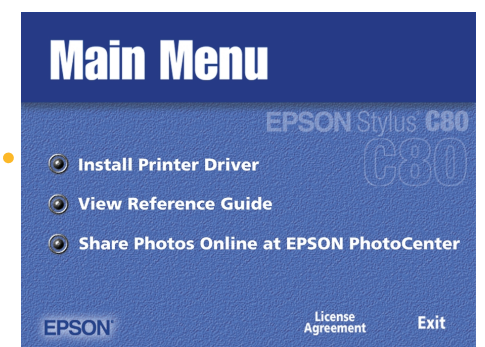
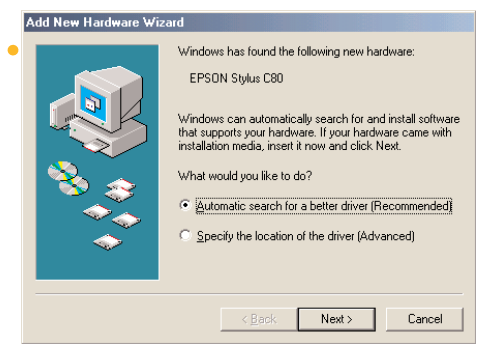
If you see this message.....

Your software is already installed. Click **OK**. You're ready to start printing!



If you see this screen.....
Click **Cancel**. Then follow the steps below to install printer software:

- 1 When you see the Windows icons on your monitor, put the EPSON CD-ROM in your CD-ROM or DVD drive.
- 2 Double-click **My Computer**, double-click the **EPSON** CD-ROM icon, then double-click the **EPSON** icon.
- 3 Read the license agreement and click **Agree**. You see the Main Menu.....
- 4 Click **Install Printer Driver**. The installer copies files and displays a series of windows on your screen.
- 5 If you see a screen asking you to turn on the printer, make sure the printer is connected and turned on. Wait for a minute for the screen to disappear. Do **not** click **Stop searching**.
- 6 When setup is finished, click **OK**. You see the EPSON Product Registration screen.
- 7 Register your printer as instructed. At the last screen, click **Done** or close your browser. Now you're ready to print!
- 8 If you want to share photos on EPSON's free photo-sharing website, click **Share Photos Online at EPSON PhotoCenter**. You see the EPSON PhotoCenter™ screen.
- 9 Click **Add icon** to place a link to the EPSON PhotoCenter website on your desktop, then click **OK**.
- 10 Click **Back**, and then click **Exit** to close the Main Menu. Remove the CD-ROM. You're ready to start printing!



8 Install Your Macintosh® Software

If you're using Macintosh® OS X, see the *Read This First* booklet for instructions on installing and using the software.

- 1 Press the power button to turn on your printer, if it's not already on.
- 2 Turn on your Macintosh and wait until you see your desktop icons. Then insert your printer software CD-ROM in your drive.
- 3 **NOTE** If you see a message that you need to install software for a USB device, click **OK**.
- 4 Double-click **EPSON** in the CD-ROM folder. (If your CD-ROM folder doesn't open automatically, double-click the **EPSON** icon on your desktop.)
- 5 Read the license agreement and click **Agree**. You see the Main Menu.....
- 6 Click **Install Printer Driver**.
- 7 At the installer screen, click **Install**. Follow the instructions to install your printer driver and restart your Macintosh.
- 8 After restarting, you see the EPSON Product Registration screen. Follow the on-screen instructions to register your printer with EPSON. At the last screen, click **Quit**.
- 9 **NOTE** If you choose to print a registration form, you'll need to select your printer in the Chooser (described in the next steps) before your form will print.
- 8 Open the Chooser from the Apple® menu.
- 9 Click the **C80 Series** icon, then click your **USB port** icon. Turn on background printing, if you want. Close the Chooser.
- 10 If you want to share photos on EPSON's free photo-sharing website, double-click the **EPSON** icon in the EPSON CD-ROM folder. Then click **Share Photos Online at EPSON PhotoCenter**. You see the EPSON PhotoCenter screen.
- 11 Click **Add Icon** to place a link to the EPSON PhotoCenter website on your desktop, then click **OK**.
- 12 Click **Back**, and then click **Exit** to close the Main menu. Remove the CD-ROM. You're ready to start printing!

