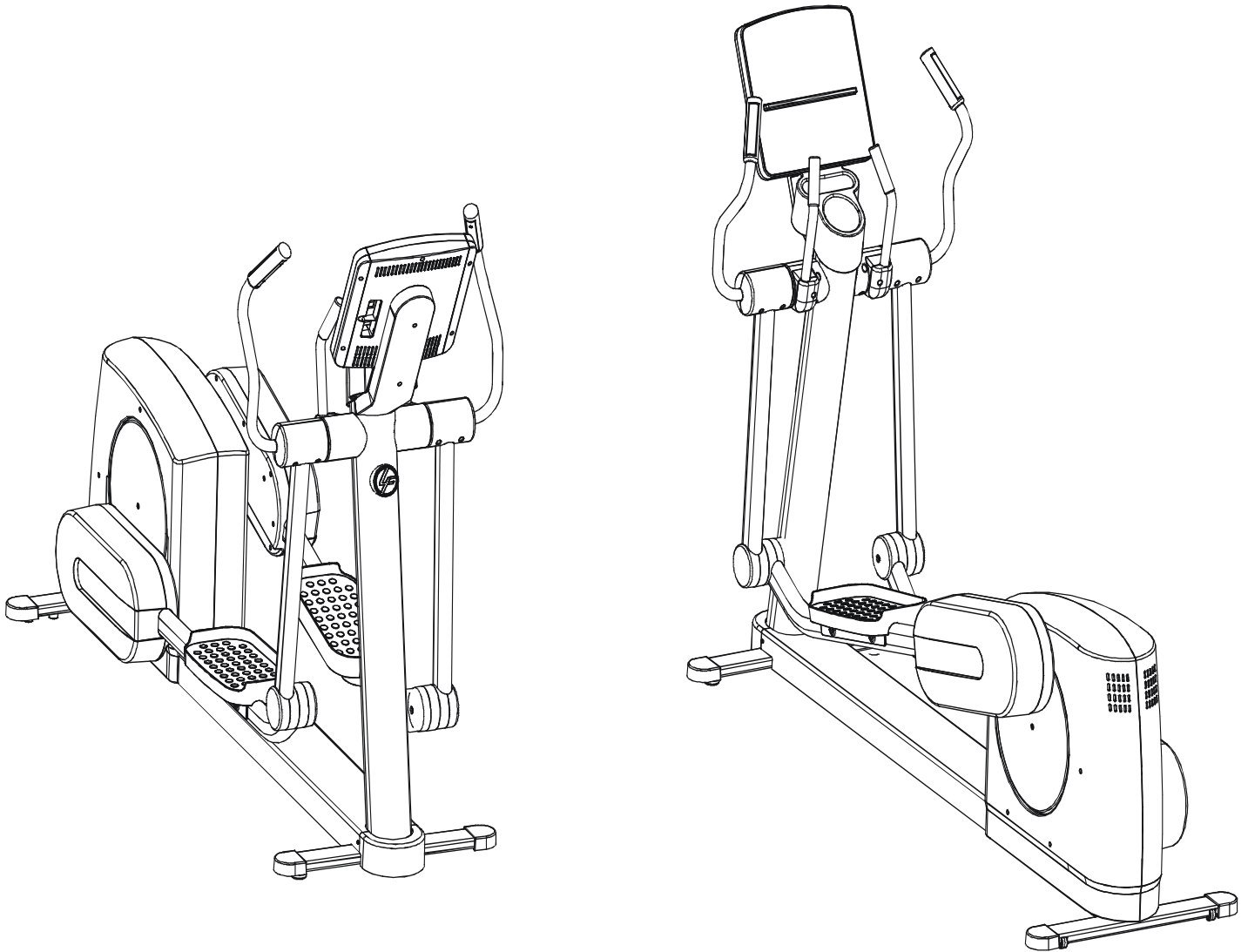


# LifeFitness

ARCTIC SILVER QUIET DRIVE  
CROSS-TRAINER 90X-0XXX-04

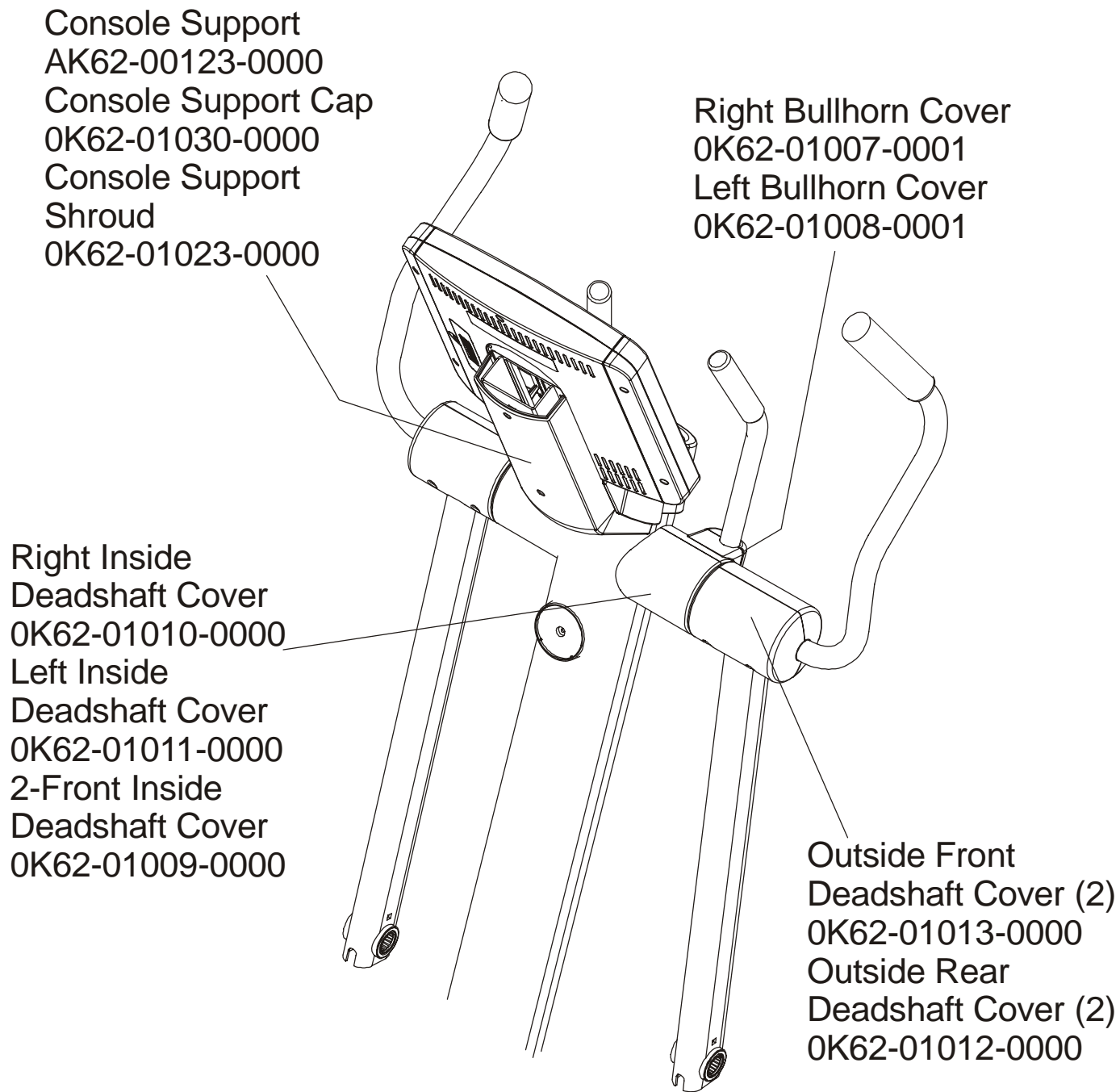


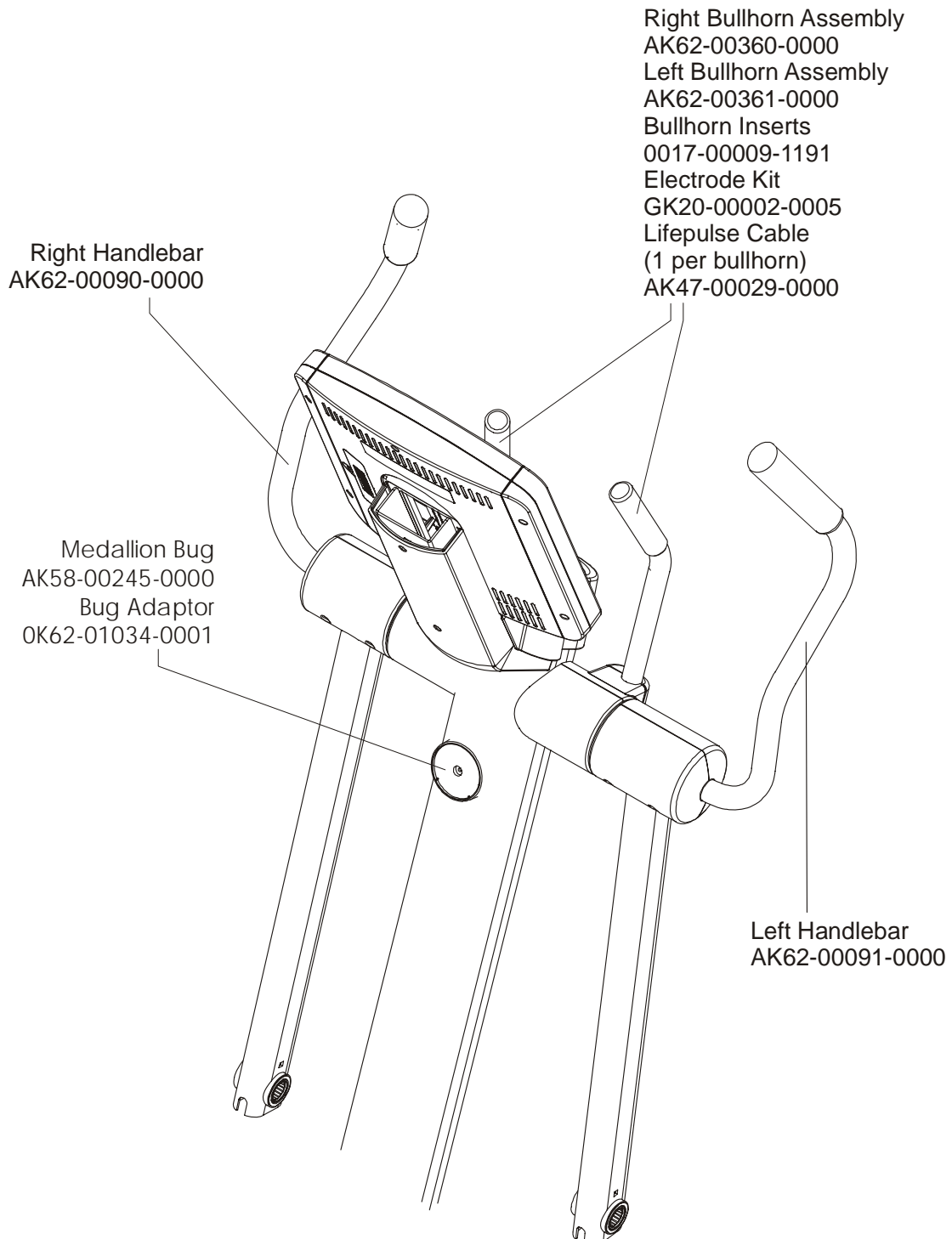
Customer Support Services  
**PARTS MANUAL** revised 30 Jul 2008

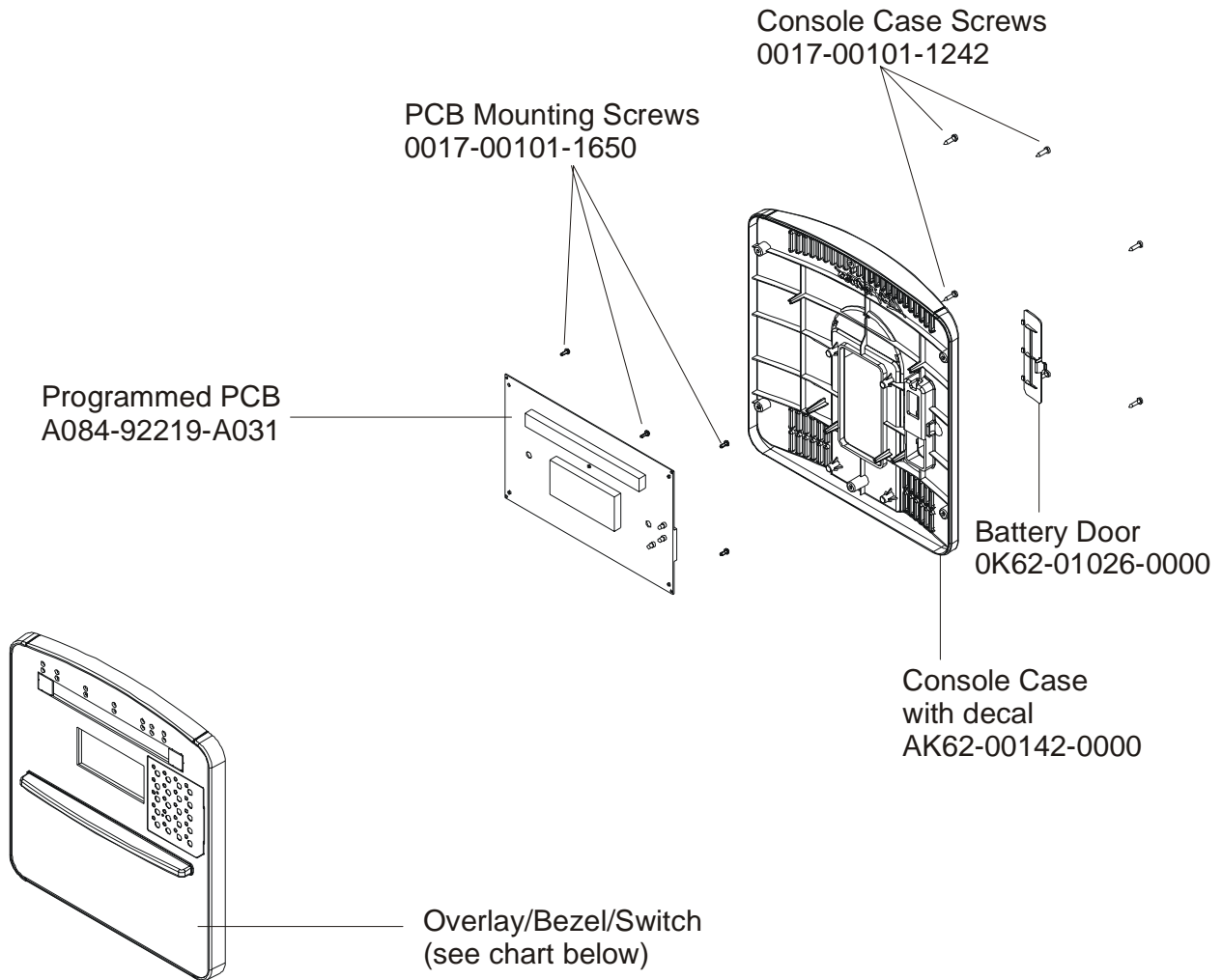
|  |    |
|--|----|
| Miscellaneous .....                          | 3  |
| Console Support and Deadshaft Covers .....   | 4  |
| Handlebars and Bullhorns .....               | 5  |
| Console and Related Components .....         | 6  |
| Upper Frame Hardware .....                   | 7  |
| Rocker Arms and Pedal Levers .....           | 8  |
| Crank Cover and Lower Caps .....             | 9  |
| Lower Frame Shrouds and Hardware .....       | 10 |
| Pedal Lever Components .....                 | 11 |
| PCB, Battery, Reed Switch, and Bracket ..... | 12 |
| Bearing Insert Assembly .....                | 13 |
| Crank Arm Pulley Assembly .....              | 14 |
| Drive Module .....                           | 15 |
| Drive Module Hardware .....                  | 16 |
| Cables .....                                 | 17 |

| Description   | Part No.   |
|---|--|
| OPERATION MANUAL  | M051-00K62-A181  |
| SERVICE MANUAL  | M051-00K62-A149  |
| TOUCH UP PAINT:<br>SPRAY CAN<br>.5 OZ BOTTLE W/APPLICATOR<br>.33 OZ PEN   | 0017-00008-0204<br>0017-00008-0205<br>0017-00008-0206  |
| HARDWARE BAG  | AK62-00152-0001  |
| PLUG IN OPTION 120/60   | GK62-00002-0018  |
| PLUG IN OPTION 240/50 UK  | GK62-00002-0019  |
| PLUG IN OPTION 240v AUS   | GK62-00002-0020  |
| PLUG IN OPTION 230/50 CONT.   | GK62-00002-0021  |
| POWER CABLE WITH BRACKET<br>ASSEMBLY<br>CONSISTS OF:<br>120" COAX CABLE ASSY.<br>120" POWER EXTENSION CABLE<br>ACCESS PANEL BRACKET<br>F-TYPE PANEL CONNECTOR<br>#8 PLASTIC GROMMET | AK62-00210-0000<br><br>AK32-00020-0002<br>AK32-00078-0001<br>OK62-01179-0001<br>0017-00021-2846<br>0017-00042-0754 |

NOTE: The 90X-0XXX-04 has Lifepulse sensors for reading heart rate and is pre-wired for the attachable LCD TV. When ordered with an attachable LCD TV, it becomes a model 90XER-XXXX-04. See the LCD-0XXX-02 Entertainment parts list for the part numbers and descriptions for the attachable LCD TV, remote, and hardware for this product.







| Language | Part No.        |                      |
|----------|-----------------|----------------------|
|          | Console         | Overlay/Bezel/Switch |
| ENG/ENG  | AK62-00354-0001 | AK62-00388-0001      |
| ENG/MET  | AK62-00354-0002 | AK62-00388-0001      |
| GER/MET  | AK62-00354-0003 | AK62-00388-0003      |
| SPN/MET  | AK62-00354-0004 | AK62-00388-0004      |
| FRN/MET  | AK62-00354-0007 | AK62-00388-0007      |
| ITL/MET  | AK62-00354-0008 | AK62-00388-0008      |
| DUT/MET  | AK62-00354-0009 | AK62-00388-0009      |
| POR/MET  | AK62-00354-0010 | AK62-00388-0010      |

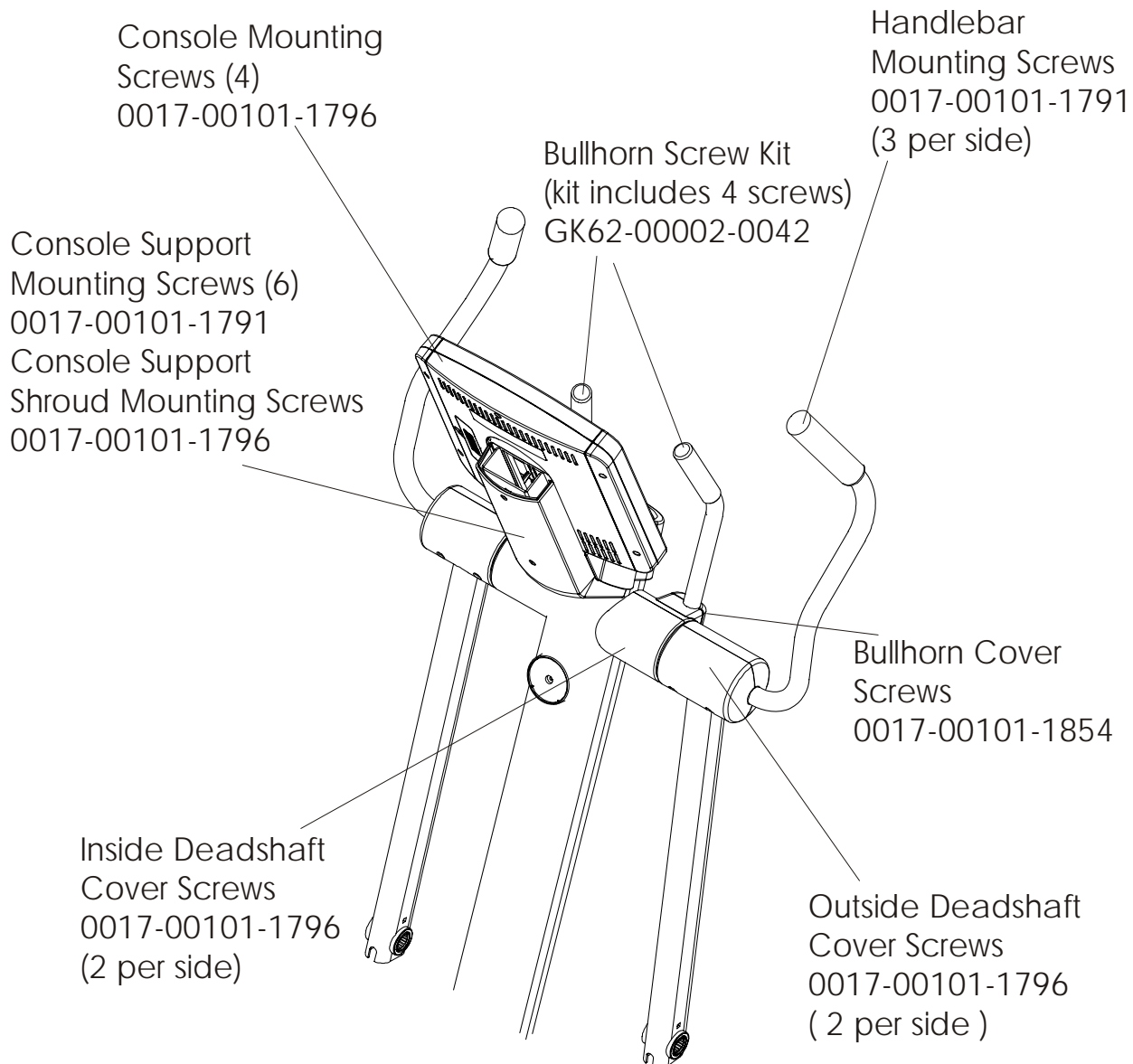
items not shown

Accessory Tray

OK62-01022-0000

Accessory Tray Mounting Screws (2)

0017-00101-1846



Rocker Arms Kit  
GK62-00002-0070  
contents:

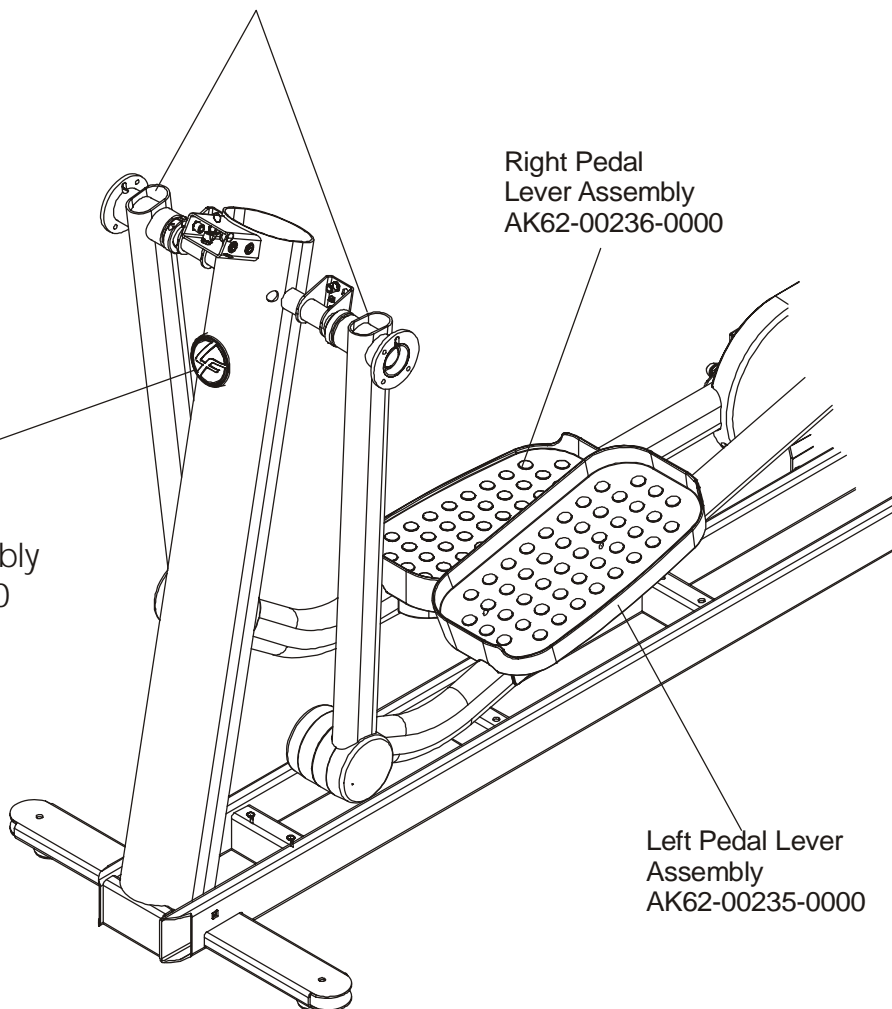
- Rocker Arms (2)
- Hardened Spacers (2)
- Oilite Washers (2)
- Retaining Rings (2)
- Loctite 620*
- Alcohol pad

Rocker Arms  
AK62-00002-0070  
Shaft Collar w/Screws  
0K61-01259-0000

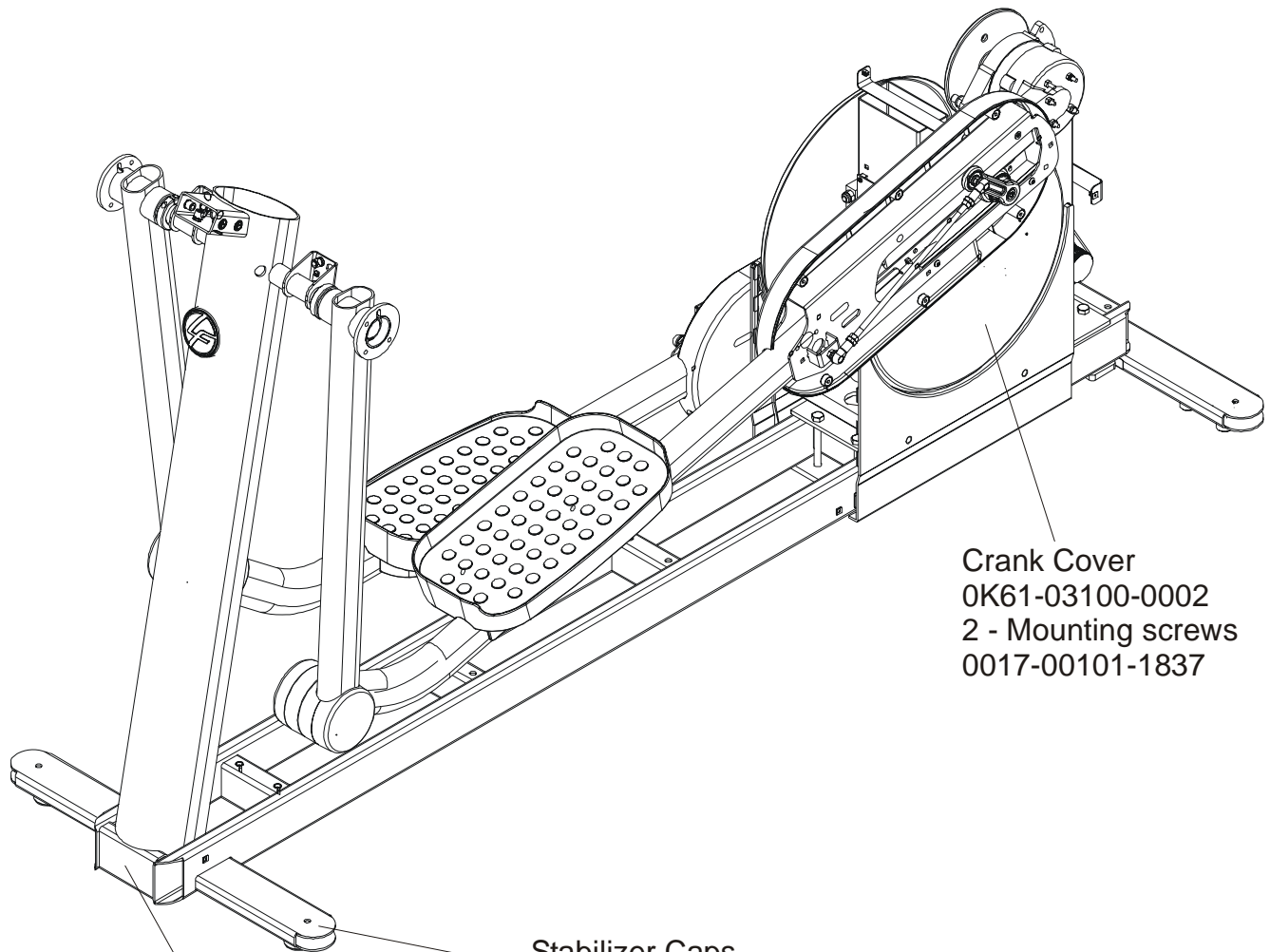
LF Bug  
Medallion Assembly  
AK58-00245-0000

Right Pedal  
Lever Assembly  
AK62-00236-0000

Left Pedal Lever  
Assembly  
AK62-00235-0000



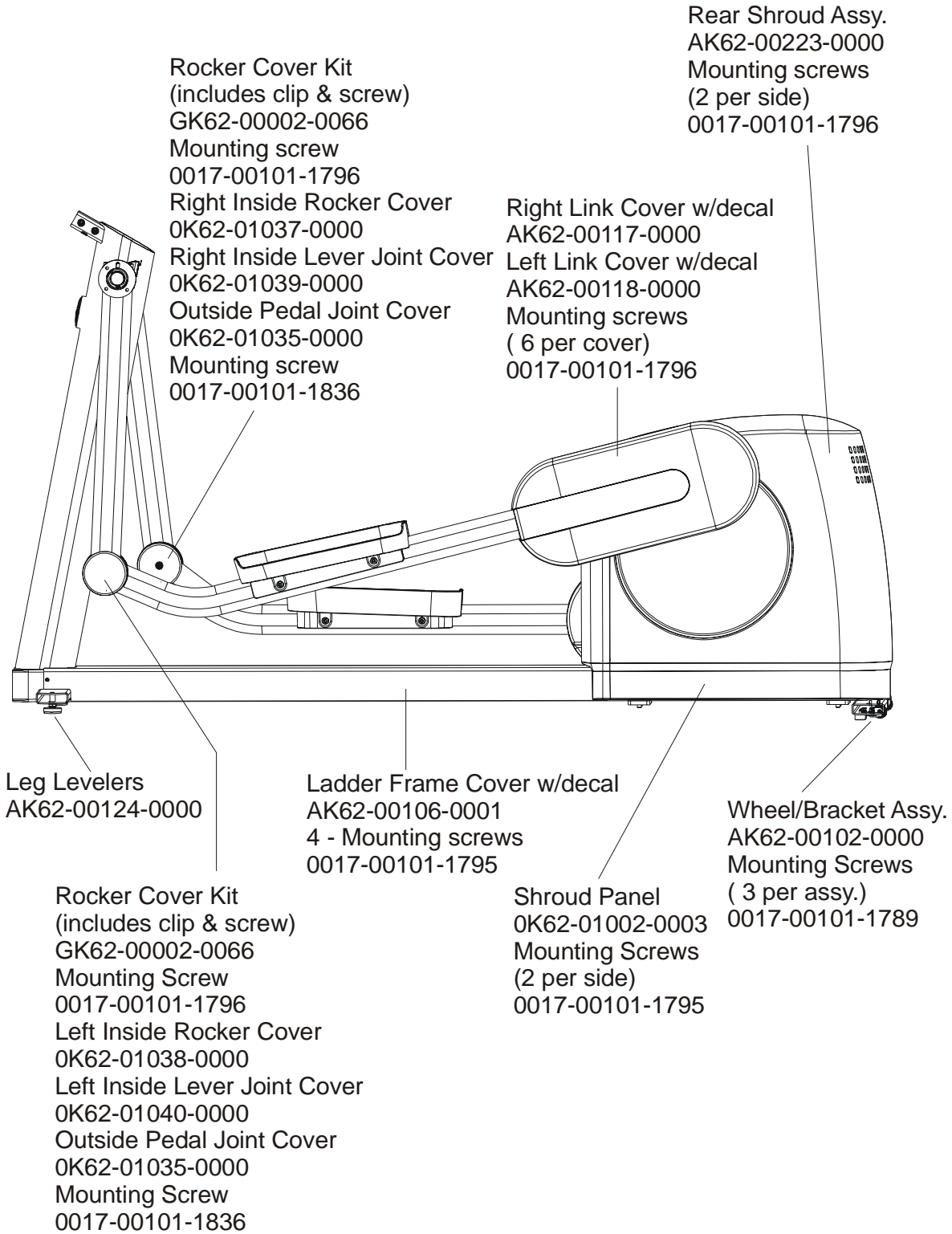




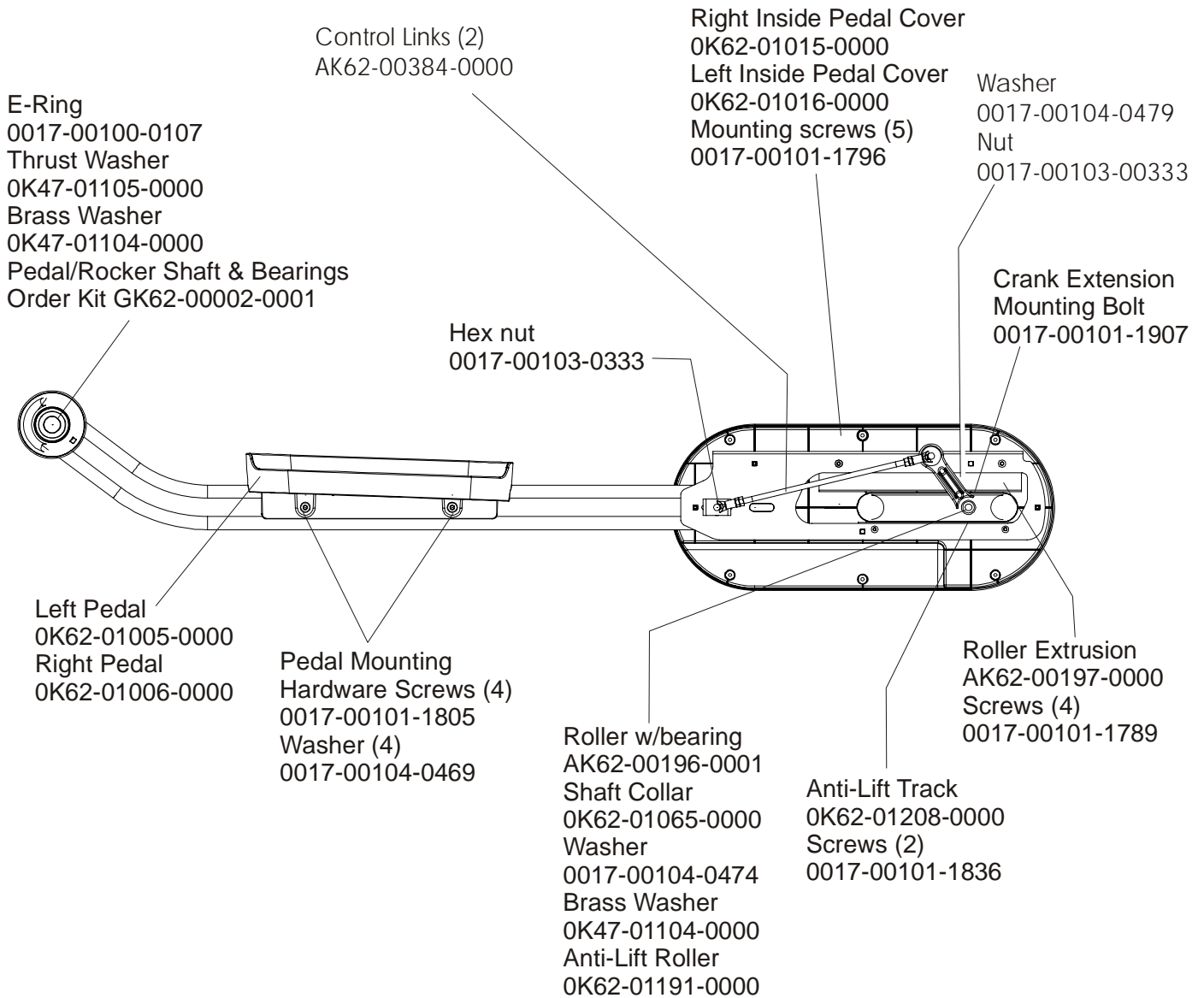
Crank Cover  
0K61-03100-0002  
2 - Mounting screws  
0017-00101-1837

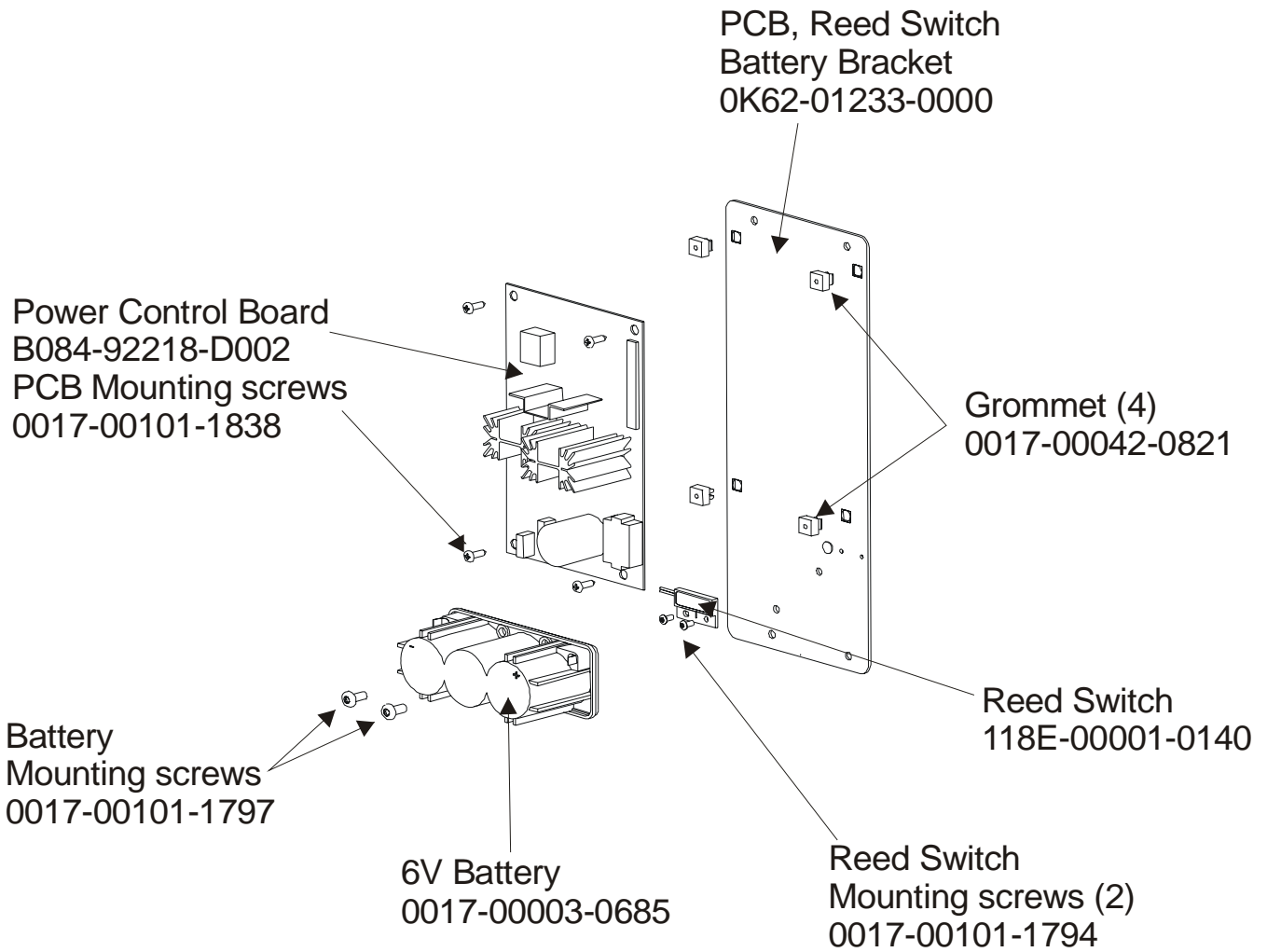
Stabilizer Caps  
4 - 0K62-01003-0000

Front frame Cap  
0K62-01004-0000  
Mounting Screws  
(Located on front sides of Ladder Frame Cover)  
2- 0017-00101-1795



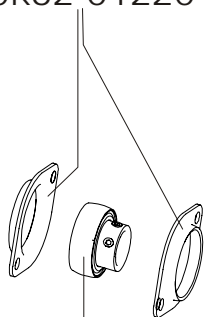
Control Link Kit  
GK62-00002-0071  
(contains 2 control links,  
part nos. AK62-00384-0000)





Bearing Insert Assembly  
 AK62-00299-0000  
 This assembly is used 4 times  
 on the drive module assembly.

Bearing Flanges (2)  
 OK62-01220-0000



1" Bearing  
 OK62-01221-0000

| Service Kits    |                         |          |
|-----------------|-------------------------|----------|
| Part No.        | Contents                | Quantity |
| GK62-00002-0044 | Crankshaft              | 1        |
|                 | Bearings                | 2        |
|                 | Sets of Bearing Flanges | 2        |
|                 | Nuts and Washers        | 4        |
| GK62-00002-0045 | Intermediate Shaft      | 1        |
|                 | Bearings                | 2        |
|                 | Sets of Bearing Flanges | 2        |
|                 | Nuts and Washers        | 4        |

