

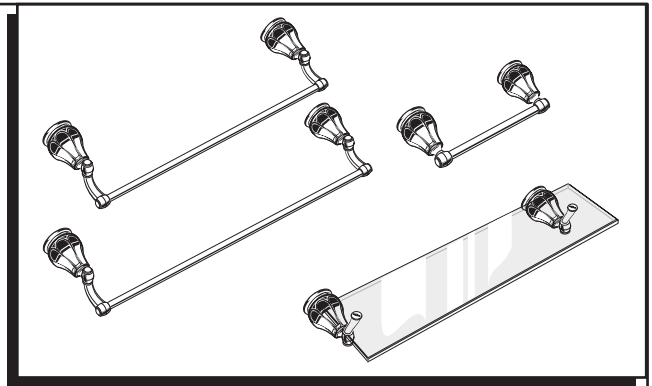
American Standard

Installation Instructions

ACCESSORIES

TOILET TISSUE HOLDER
18" TOWEL BAR
24" TOWEL BAR
GLASS SHELF

6028.230 6090
6028.180 6091
6028.244 6092
6028.024 6093

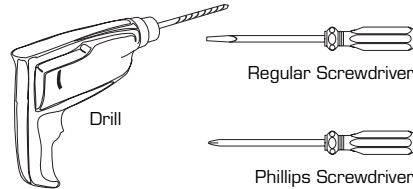
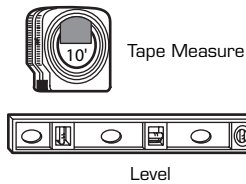


Certified to comply with ANSI A112.18.1

M968860 REV. 1.1

Thank you for selecting American Standard...the benchmark of fine quality for over 100 years.
To ensure that your installation proceeds smoothly—please read instructions carefully before you begin.

Recommended Tools



CARE INSTRUCTIONS:

DO: SIMPLY RINSE THE PRODUCT CLEAN WITH CLEAR WATER. DRY WITH A SOFT COTTON FLANNEL CLOTH.

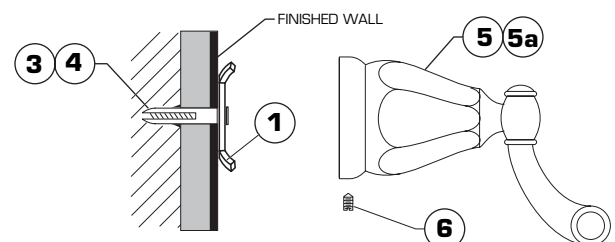
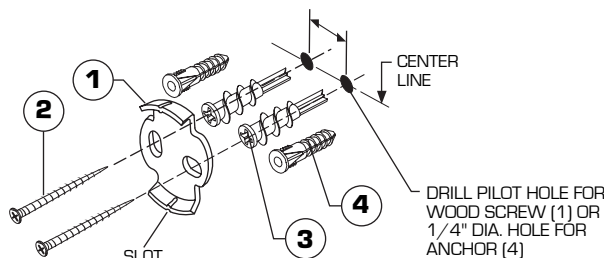
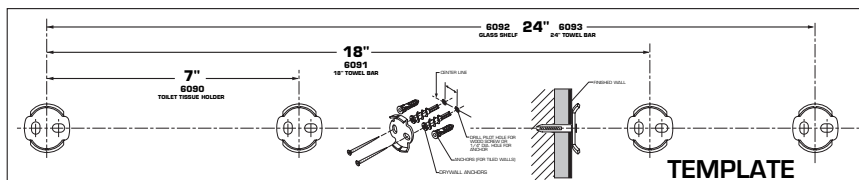
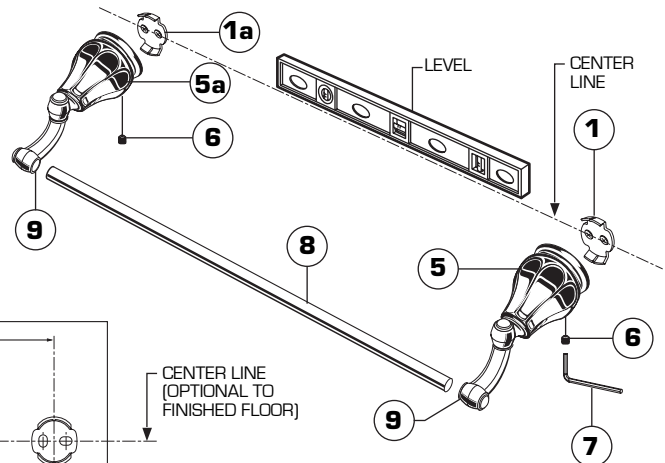
DO NOT: CLEAN THE PRODUCT WITH SOAPS, ACID, POLISH, ABRASIVES, HARSH CLEANERS, OR A CLOTH WITH A COARSE SURFACE.

1 18" TOWEL BAR, 24" TOWEL BAR, GLASS SHELF AND TOILET TISSUE HOLDER MOUNTING BRACKET INSTALLATION

- The 18" TOWEL BAR, 24" TOWEL BAR, GLASS SHELF and TOILET TISSUE HOLDER work best if secured to a wall stud or cross brace within the wall, using the SCREWS (4) supplied.
- If the 18" TOWEL BAR, 24" TOWEL BAR, GLASS SHELF and TOILET TISSUE HOLDER are to be installed on a tile or plaster wall the ANCHORS and SCREWS should be used.
- Determine desired height and location (optional) for the accessory and mark a center line. Use the full size template supplied to mark hole locations for the mounting brackets. For the 24" TOWEL BAR and GLASS SHELF use 24" template. For 18" TOWEL BAR use 18" template. For the TOILET TISSUE HOLDER use the 7" template. If MOUNTING BRACKET (1) is secured to a stud or cross brace drill small pilot holes for SCREWS (2).
- **For installations on drywall**, use DRYWALL ANCHOR (3) and SCREWS (2) for securing MOUNTING BRACKETS (1) to wall. Place #2 Phillips screwdriver or cordless screwdriver into recess of anchor. Press into drywall while turning the anchor clockwise until it is seated flush with the wall. Place MOUNTING BRACKET (1) over DRYWALL ANCHORS (3) and insert screws provided with #2 Phillips screwdriver. See illustration below. Secure MOUNTING BRACKETS (1) to wall with SCREWS (2).
- **For installations on tiled walls**, if TILE ANCHORS (4) and SCREWS (2) are used for securing MOUNTING BRACKET (1), then drill two 1/4" diameter holes a minimum of 1-1/4" deep. Insert the two TILE ANCHORS (4) flush with face of the finished wall.
- Secure MOUNTING PLATES (1) to wall with SCREWS (2).

2 INSTALL 18" TOWEL BAR, AND 24" TOWEL BAR

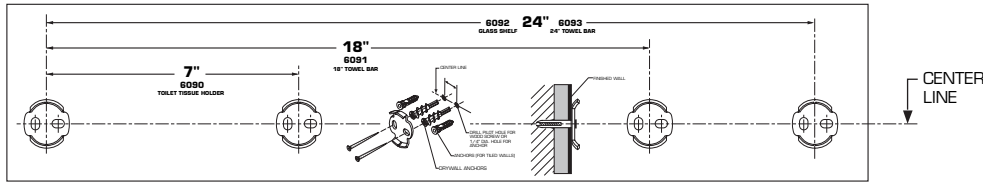
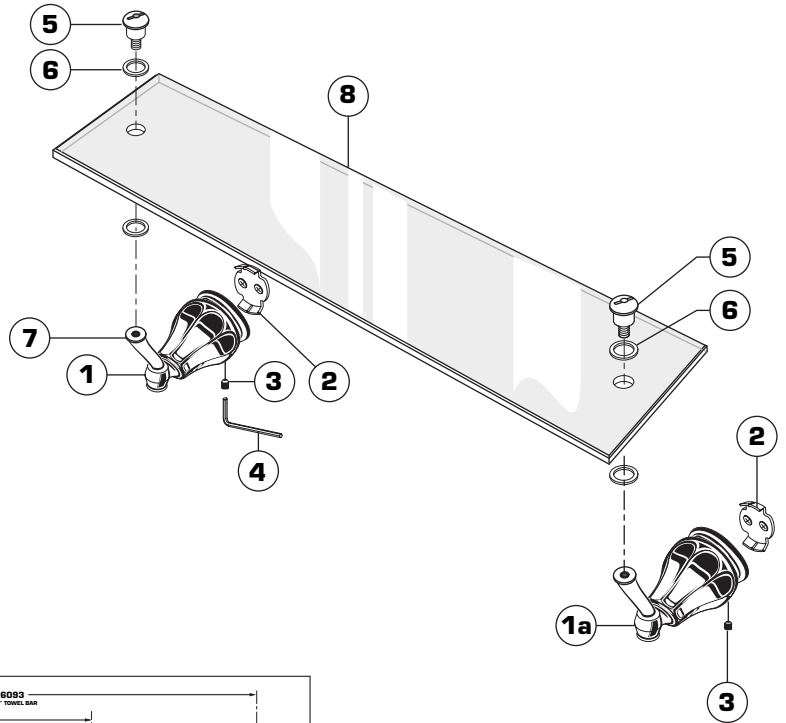
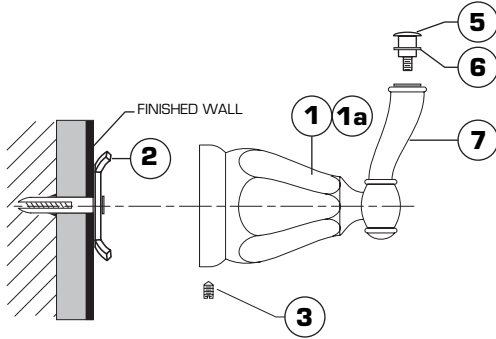
- Place right ESCUTCHEON (5) onto MOUNTING BRACKET (1), and secure with SET SCREW (6) using 2.5 mm HEX WRENCH (7) supplied.
- Insert each end of TOWEL BAR (8) into the CRANKS (9).
- Place LEFT ESCUTCHEON (5a) onto MOUNTING BRACKET (1a) and secure with SET SCREW (6) using 2.5 mm HEX WRENCH (7) supplied.



3

INSTALL GLASS SHELF

- Place ESCUTCHEON (1, 1a) onto installed MOUNTING BRACKETS (2) and secure with SET SCREWS (3) using 2.5mm HEX WRENCH (4) supplied.
- Remove SCREW (5) and top WASHER (6) from SHELF RISER (7).
- Install GLASS SHELF (8) onto SHELF RISERS (7).
- Secure GLASS SHELF (8) with SCREWS (5) and WASHERS (6).



4

INSTALL TOILET TISSUE HOLDER

- Place ESCUTCHEON with TISSUE PAPER ROD ATTACHED (1) onto LEFT MOUNTING BRACKET (2) and secure with SET SCREW (3) using 2.5mm HEX WRENCH (4) supplied.
- Attach ESCUTCHEON (1A) to RIGHT MOUNTING BRACKET (2A) and secure with set screw (3) using 2.5mm HEX WRENCH (4) supplied.
- Swing TISSUE PAPER ROD (5) onto LATCH (6) at the tip of the RIGHT ESCUTCHEON (1A) to complete assembly.

