



## Builder Portfolio Whirlpool Baths:

K-1200-AC            K-1211-AC

K-1201-AC            K-1215-AC

K-1205-AC            K-1216-AC

K-1206-AC            K-1220-AC

K-1210-AC            K-1221-AC

## Optional Aprons:

K-1507-AA

K-1515-AA

## INSTALLATION INSTRUCTIONS

# IMPORTANT SAFETY INSTRUCTIONS

ATTENTION INSTALLER: INSTRUCTIONS PERTAINING TO RISK OF FIRE, ELECTRIC SHOCK OR INJURY TO PERSONS

## READ AND FOLLOW ALL INSTRUCTIONS



**WARNING:** When using this unit, always follow basic precautions, including the following:



**DANGER: RISK OF ELECTRICAL SHOCK.** The installation must have a Class A Ground-Fault Circuit-Interrupter (GFCI) for the whirlpool system.

This will provide additional protection against line-to-ground shock hazard.

Such a GFCI should be provided by the installer and should be tested on a routine basis.

To test the GFCI, press the test button. The GFCI should interrupt power. Press the reset button. Power should be restored.

If the GFCI fails to operate in this manner, there is a ground current flowing or the GFCI is defective. The possibility of an electric shock may exist. DO NOT use this unit. Disconnect the unit and have the problem corrected by a qualified licensed electrician.

**For -J1 and -JA models only:** A green colored terminal (or a wire connector marked “G”, “GR”, “GROUND”, or “Grounding”) is provided within the terminal compartment. To reduce the risk of electric shock, connect this terminal or connector to the grounding terminal of your electric service or supply panel with a conductor equivalent in size to the circuit conductors supplying this equipment.

**All models:** A pressure wire connector is provided on the exterior of the pump or control box within this unit to permit connection of a No. 8 AWG (8.4 mm<sup>2</sup>) solid copper bonding conductor between this unit and all other electrical equipment and exposed metal in the vicinity, as needed to comply with local requirements.

DO NOT operate this unit without the guard on the suction fitting.

Never drop or insert any object into any opening.

Use this unit only for its intended use as denoted in this manual. DO NOT use attachments not recommended by the Kohler Co.



**DANGER:** To reduce the risk of injury, do not permit children to use this unit unless they are closely supervised at all times.

## SAVE THESE INSTRUCTIONS

## TABLE OF CONTENTS

IMPORTANT SAFETY INSTRUCTIONS .....	2	SITE REQUIREMENTS .....	13
INTRODUCTION .....	4	Remove Old Bath .....	13
ROUGHING-IN: K-1200-AC, K-1201-AC .....	5	Subfloor Preparation .....	13
Ordering Information .....	5	Stud Pocket Preparation .....	13
Required Electrical Service .....	5	Plumbing Preparation .....	14
Product Information .....	5	BEFORE INSTALLING UNIT .....	14
Installation Notes .....	5	Tiling-In Bead Installation .....	14
ROUGHING-IN: K-1205-AC, K-1206-AC .....	6	Partially Install Bath Drain .....	14
Ordering Information .....	6	Protect Bath Unit .....	14
Required Electrical Service .....	6	INSTALL WHIRLPOOL .....	15
Product Information .....	6	Whirlpool Set-In .....	15
Installation Notes .....	5	Height Adjustment .....	16
ROUGHING-IN: K-1210-AC, K-1211-AC .....	7	Secure Whirlpool .....	16
Ordering Information .....	7	Install Plumbing .....	16
Required Electrical Service .....	7	ELECTRICAL CONNECTIONS -	
Product Information .....	7	AIR ACTUATOR VERSIONS .....	17
Installation Notes .....	7	Identify Electrical Requirements .....	17
ROUGHING-IN: K-1215-AC, K-1216-AC .....	8	Wiring Information - 120 V, 60 Hz .....	17
Ordering Information .....	8	Locate Field Wiring Compartment - 120 V, 60 Hz .....	18
Required Electrical Service .....	8	Field Wiring Diagram - 120 V, 60 Hz .....	18
Product Information .....	8	Field Wiring Control Box Compartment -	
Installation Notes .....	8	230 V, 50 Hz .....	19
ROUGHING-IN: K-1220-AC, K-1221-AC .....	9	Connect Control Box - 230 V, 50 Hz .....	19
Ordering Information .....	9	ELECTRICAL CONNECTIONS -	
Required Electrical Service .....	9	WALL TIMER VERSIONS .....	20
Product Information .....	9	Identify Electrical Requirements .....	20
Installation Notes .....	9	Wiring Information - 120 V, 60 Hz -	
PRODUCT NOTICES .....	10	Wall Timer Versions .....	20
Installer Hazard Notification .....	10	WATER TEST WHIRLPOOL AND ELECTRONICS	21
Factory-Assembled Features .....	10	COMPLETE FINISH WALL .....	21
PRODUCT REQUIREMENTS .....	11	OPTIONAL K-1507 APRON INSTALLATION .....	22
Summary of Key Requirements .....	11	OPTIONAL K-1515 APRON INSTALLATION .....	23
Plumbing Specifications .....	11	COMPLETE INSTALLATION .....	24
Product Inspection .....	11	CLEAN-UP AFTER INSTALLATION .....	24
Connections and Service Access .....	11	CONFIRM PROPER OPERATION .....	25
Electrical Requirements .....	11	Start-Up Whirlpool .....	25
INSTALLATION REQUIREMENTS .....	12	Operating Sequence .....	25
Tools Required .....	12	Troubleshoot Whirlpool System .....	26
Materials Required .....	12		
Clearance Requirements .....	12		
New Or Replacement Installation Requirements	12		

## INTRODUCTION

Please read these instructions carefully to familiarize yourself with the required tools, materials, and installation sequences. Follow the sections that pertain to your particular installation. This will aid you in avoiding the unnecessary expense associated with improper installation. In addition to proper installation, read all operating and safety instructions.

The variety of installations possible with this whirlpool may require framing procedures other than those described in this manual.

All information in this manual is based on the latest product information available at the time of publication. Kohler Co. reserves the right to make changes in product characteristics, packaging, or availability at any time without notice.

Identify and record below the model and serial number (found at the pump end of the whirlpool):

Model No. \_\_\_\_\_ Serial No. \_\_\_\_\_ Date of Manufacture \_\_\_\_\_

# 1. ROUGHING-IN: K-1200-AC, K-1201-AC

## A. ORDERING INFORMATION

Factory installed components include pump and air switch transmitter.

Information contained in this roughing-in also applies to K-1201-J1-AA, K-1201-J1-AB and K-1201-JA-AA.

Whirlpool with wall timer		K-1200-AC
Whirlpool with air actuator (shown)		K-1201-AC
Accessories/hardware:		
Drain	K-7161-AF	recom- mended
Vinyl tiling-in bead*	K-1177	optional
*Use K-1177 vinyl bead when wall material contacts any top surface of bath.		

## B. REQUIRED ELECTRICAL SERVICE

Dedicated circuits required, protected with Class A Ground-Fault Circuit-Interrupter (GFCI):	
Pump/control	120 V., 15 A, 60 Hz

## C. PRODUCT INFORMATION

Fixture:	basin area	top area	weight
Bathing well	42" x 17"	55" x 25"	93 lbs.
	water depth	capacity	
To overflow	12-1/8"	50 gals.	

Pump:	hp	V	Hz	A
60 Hz	1/2	120	60	8

## D. INSTALLATION NOTES

Refer to installation instructions included with fixture before beginning installation.

### ROUGHING-IN NOTES

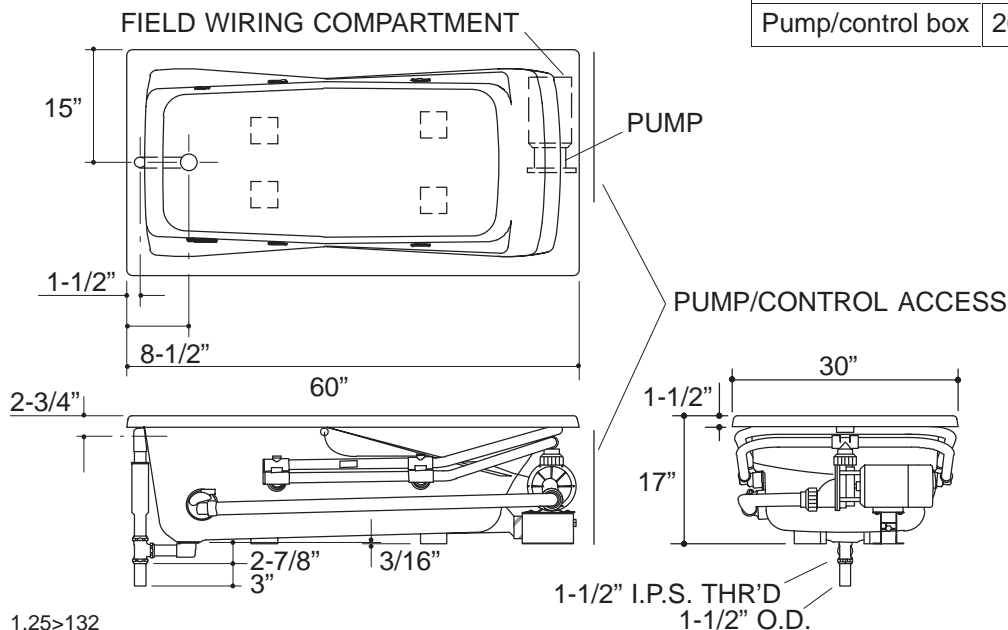
Fixture dimensions are nominal and conform to tolerances in ANSI Standard Z124.1.

No change in measurements if connected with drain illustrated.

Cut-out	28-1/2" x 58-1/2"
---------	-------------------

Minimum access:

Pump/control box	20" W x 15" H panel	required
------------------	---------------------	----------



1.25>132

## 2. ROUGHING-IN: K-1205-AC, K-1206-AC

### A. ORDERING INFORMATION

Factory installed components include pump and air switch transmitter.

Information contained in this roughing-in also applies to K-1206-J1-AA, K-1206-J1-AB and K-1206-JA-AA.

Whirlpool with wall timer		K-1205-AC
Whirlpool with air actuator (shown)		K-1206-AC
Accessories/hardware:		
Drain	K-7161-AF	recom- mended
Vinyl tiling-in bead*	K-1177	optional
*Use K-1177 vinyl bead when wall material contacts any top surface of bath.		

### B. REQUIRED ELECTRICAL SERVICE

Dedicated circuits required, protected with Class A Ground-Fault Circuit-Interrupter (GFCI):

Pump/control	120 V., 15 A, 60 Hz
--------------	---------------------

### C. PRODUCT INFORMATION

Fixture:	basin area	top area	weight	
Bathing well	44" x 22"	55" x 25"	100 lbs.	
	water depth	capacity		
To overflow	15-1/8"	60 gals.		
Pump:	hp	V	Hz	A
60 Hz	1/2	120	60	8

### D. INSTALLATION NOTES

Refer to installation instructions included with fixture before beginning installation.

### ROUGHING-IN NOTES

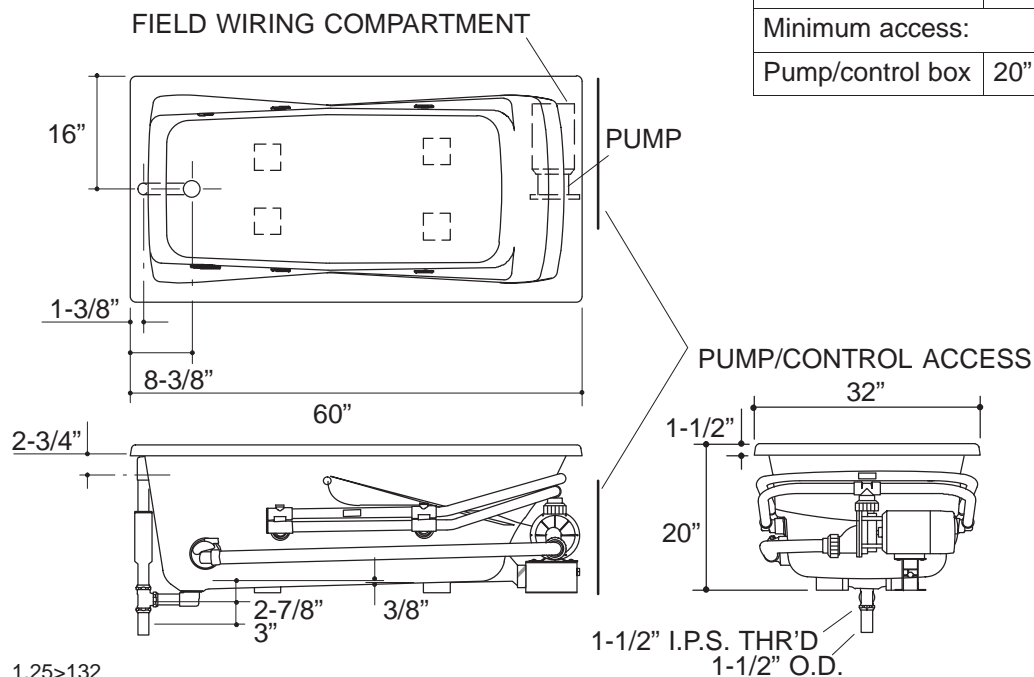
Fixture dimensions are nominal and conform to tolerances in ANSI Standard Z124.1.

No change in measurements if connected with drain illustrated.

Cut-out	30-1/2" x 58-1/2"
---------	-------------------

Minimum access:

Pump/control box	20" W x 15" H panel	required
------------------	---------------------	----------



1.25>132

### 3. ROUGHING-IN: K-1210-AC, K-1211-AC

#### A. ORDERING INFORMATION

Factory installed components include pump and air switch transmitter.

Information contained in this roughing-in also applies to K-1211-J1-AA, K-1211-J1-AB and K-1211-JA-AA.

Whirlpool with wall timer		K-1210-AC
Whirlpool with air actuator (shown)		K-1211-AC
Accessories/hardware:		
Drain	K-7161-AF	recom- mended
Vinyl tiling-in bead*	K-1179	optional
*Use K-1179 vinyl bead when wall material contacts any top surface of bath.		

#### B. REQUIRED ELECTRICAL SERVICE

Dedicated circuits required, protected with Class A Ground-Fault Circuit-Interrupter (GFCI):	
Pump/control	120 V., 15 A, 60 Hz

#### C. PRODUCT INFORMATION

Fixture:	basin area	top area	weight	
Bathing well	39" x 22"	54" x 27"	85 lbs.	
	water depth	capacity		
To overflow	15-1/2"	65 gals.		
Pump:	hp	V	Hz	A
60 Hz	1/2	120	60	8

#### D. INSTALLATION NOTES

Refer to installation instructions included with fixture before beginning installation.

\*Some K-1179 tiling-in beads may require trimming of the bottom edge for proper fit.

#### ROUGHING-IN NOTES

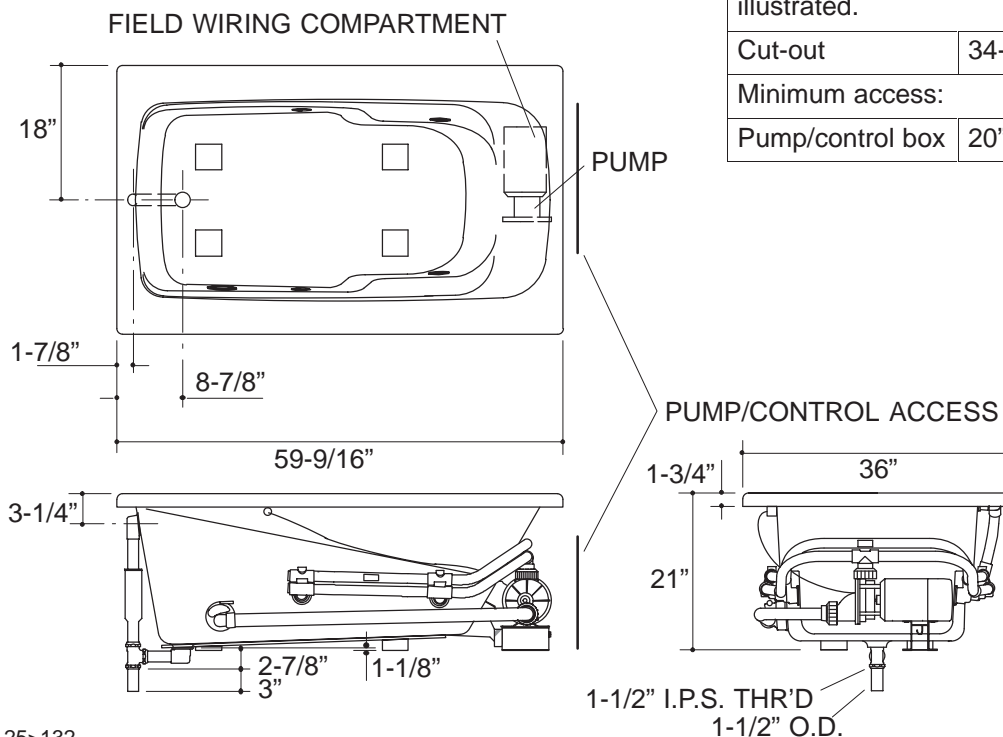
Fixture dimensions are nominal and conform to tolerances in ANSI Standard Z124.1.

No change in measurements if connected with drain illustrated.

Cut-out	34-1/2" x 58-1/2"
---------	-------------------

Minimum access:

Pump/control box	20" W x 15" H panel	required
------------------	---------------------	----------



1.25>132

## 4. ROUGHING-IN: K-1215-AC, K-1216-AC

### A. ORDERING INFORMATION

Factory installed components include pump and air switch transmitter.

Information contained in this roughing-in also applies to K-1216-J1-AA and K-1216-JA-AA.

Whirlpool with wall timer		K-1215-AC
Whirlpool with air actuator (shown)		K-1216-AC
Accessories/hardware:		
Drain	K-7161-AF	recom- mended
Vinyl tiling-in bead*	K-1179	optional
*Use K-1179 vinyl bead when wall material contacts any top surface of bath.		

### B. REQUIRED ELECTRICAL SERVICE

Dedicated circuits required, protected with Class A Ground-Fault Circuit-Interrupter (GFCI):	
Pump/control	120 V., 15 A, 60 Hz

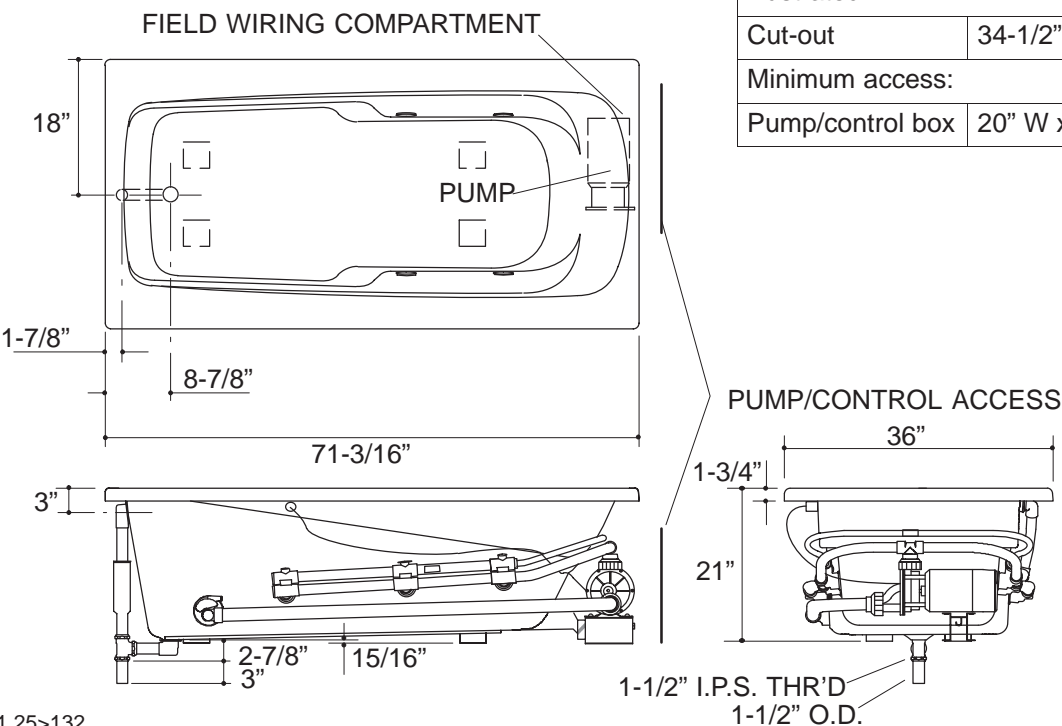
### C. PRODUCT INFORMATION

Fixture:	basin area	top area	weight	
Bathing well	52" x 23"	65-1/2" x 26-1/2"	95 lbs.	
	water depth	capacity		
To overflow	15-1/2"	76 gals.		
Pump:	hp	V	Hz	A
60 Hz	3/4	120	60	10

### D. INSTALLATION NOTES

Refer to installation instructions included with fixture before beginning installation.

\*Some K-1179 tiling-in beads may require trimming of the bottom edge for proper fit.



1.25>132

### ROUGHING-IN NOTES

Fixture dimensions are nominal and conform to tolerances in ANSI Standard Z124.1.

No change in measurements if connected with drain illustrated.

Cut-out	34-1/2" x 70"	
Minimum access:		
Pump/control box	20" W x 15" H panel	required



## 5. ROUGHING-IN: K-1220-AC, K-1221-AC

### A. ORDERING INFORMATION

Factory installed components include pump and air switch transmitter.

Information contained in this roughing-in also applies to K-1221-J1-AA and K-1221-JA-AA.

Whirlpool with wall timer		K-1220-AC
Whirlpool with air switch (shown)		K-1221-AC
Accessories/hardware:		
Drain	K-7161-AF	recommended
Apron	K-1223	optional
Vinyl tiling-in bead*	K-1179	optional
*Use K-1179 vinyl bead when wall material contacts any top surface of bath.		

### B. REQUIRED ELECTRICAL SERVICE

Dedicated circuits required, protected with Class A Ground-Fault Circuit-Interrupter (GFCI):

Pump/control	120 V., 15 A, 60 Hz
--------------	---------------------

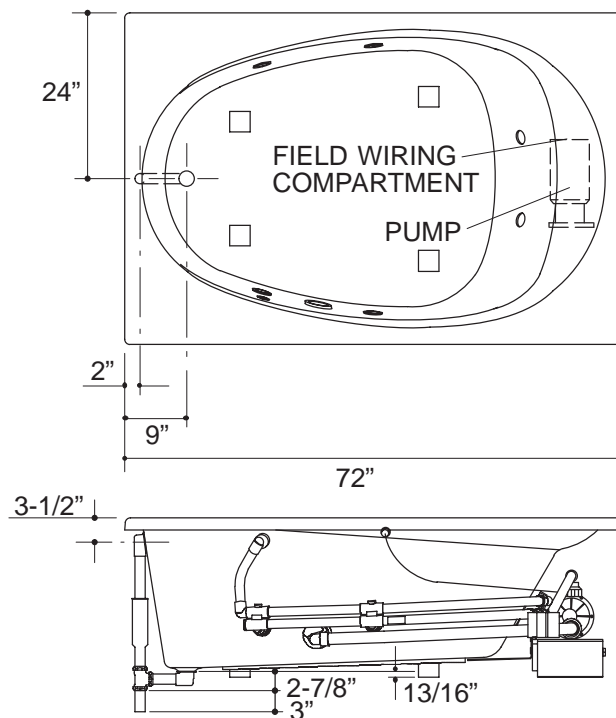
### C. PRODUCT INFORMATION

Fixture:	basin area	top area	weight		
Bathing well	47" x 37"	67" x 32"	120 lbs.		
	water depth	capacity			
To overflow	16-7/8"	117 gals.			
Pump, 1 phase	hp	RPM	V	Hz	A
60 Hz	3/4	3450	120	60	10

### D. INSTALLATION NOTES

Refer to installation instructions included with fixture before beginning installation.

\*Some K-1179 tiling-in beads may require trimming of the bottom edge for proper fit.



### ROUGHING-IN NOTES

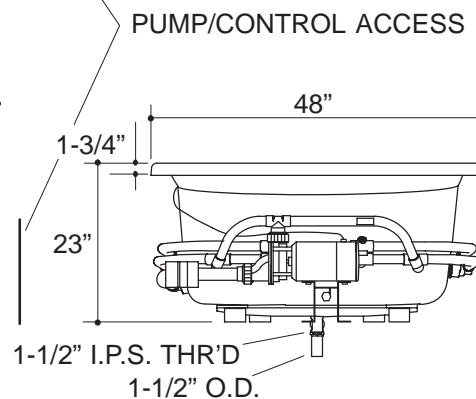
Fixture dimensions are nominal and conform to tolerances in ANSI Standard Z124.1.

No change in measurements if connected with drain illustrated.

Cut-out 46-1/4" x 70-1/4"

Minimum access:


Pump/control box 20" W x 15" H panel required





1.15>132


## 6. PRODUCT NOTICES


### A. INSTALLER HAZARD NOTIFICATION

 **DANGER: Risk of fire, electric shock, or injury to persons.** Read important safety instructions on inside front cover of these instructions.

 **WARNING: Risk of electrical shock.** A licensed electrician should make all electrical connections.

 **WARNING: Risk of electrical shock.** Connect only to a circuit protected by a Ground-Fault Circuit-Interrupter (GFCI).

 **WARNING: Risk of electrical shock.** Disconnect power before servicing.

 **WARNING: Risk of injury or property damage.** Please read all instructions thoroughly before beginning installation, including the following Product Requirements.


**NOTICE: Follow all local plumbing and electrical codes.**

### B. FACTORY-ASSEMBLED FEATURES

**K-1201, K-1206, K-1211, K-1216, K-1221:** Factory installed components include pump and air switch transmitter. No installation is needed.

**K-1200, K-1205, K-1210, K-1215, K-1220:** Factory installed components include pump. Wall timer is shipped attached to whirlpool harness.

The whirlpool pump and piping are factory-assembled.

 **WARNING: Unauthorized modification may cause unsafe operation and poor performance of the whirlpool.** Do not relocate the whirlpool pump or make other modifications to the whirlpool system, as this could adversely affect the performance and safe operation of the whirlpool. Kohler Co. shall not be liable under its warranty or otherwise for personal injury or damage caused by any such unauthorized modification.

## 7. PRODUCT REQUIREMENTS

### A. SUMMARY OF KEY REQUIREMENTS

- Install unit to level subfloor.
- Provide properly dimensioned framing.
- Bath can be installed in a corner. Recess, peninsular or sunken installation is also possible.

### B. PLUMBING SPECIFICATIONS

If using a rim mounted bath faucet, flexible connections between the valves and spout may be required. Confirm adequate mounting and connection space of specified faucet for your installation.

Confirm adequate support for faucet; large faucets that may be inadvertently used as a means of support are not appropriate or safe for this installation.

### C. PRODUCT INSPECTION

Carefully uncrate and inspect your product for damage. Leave all materials in carton during construction to prevent damage.

**NOTICE: Make sure both connections to the whirlpool pump are securely tightened.**

### D. CONNECTIONS AND SERVICE ACCESS

Before installation, ensure proper access to the final connections.

**NOTICE: Provide unrestricted service access to the pump.** An access panel 20" W x 15" H minimum must be constructed to allow for sufficient clearance for servicing the pump or controls. The access panel must be located at the pump end of the whirlpool, through an adjoining wall.

The optional apron is removable to allow limited service access.

### E. ELECTRICAL REQUIREMENTS

**K-1200-AC, K-1201-AC, K-1205-AC, K-1206-AC, K-1210-AC, K-1211-AC, K-1215-AC, K-1216-AC, K-1220-AC, K-1221-AC:** The installation must have a Class A Ground-Fault Circuit-Interrupter (GFCI). The GFCI protects against line-to-ground shock hazard. Use a 120 V, 15 A, 60 Hz separate service for the whirlpool. Provide a separate equipment grounding conductor for the inside grounding lug. Ground must not be connected to any current-carrying conductor except at the main service breaker box.

**All 50 Hz models:** The installation must have an Earth Leakage Circuit Breaker (ELCB). This will provide additional protection against line-to-ground shock hazard. A 230 V, 50 Hz separate circuit that provides 15 A of continuous service is required.

## 8. INSTALLATION REQUIREMENTS

### A. TOOLS REQUIRED

- Conventional woodworking tools
- Arc pliers or 14" pipe wrench
- Rule
- Level
- Safety shoes
- Safety glasses
- Square
- Screwdriver
- Pliers
- Utility knife

### B. MATERIALS REQUIRED

- Plumbers putty
- Water-resistant sealer
- Wall coverings, as necessary
- RTV silicone sealant
- Four 1/4" x 1" lag screws

### C. CLEARANCE REQUIREMENTS

Check roughing-in and room dimensions in order to provide adequate available space for the bath unit.

### D. NEW OR REPLACEMENT INSTALLATION REQUIREMENTS

This bath unit can be installed in new or existing bathrooms.

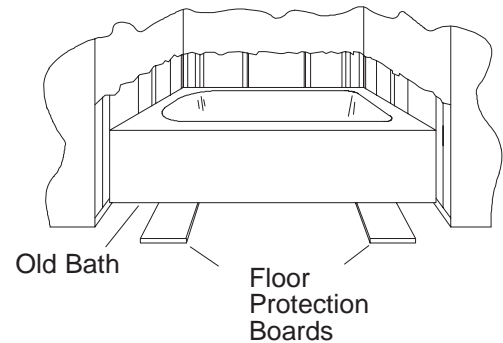
**For new installations:** Position plumbing according to roughing-in dimensions beginning on page 5. Cap supplies and check for leaks.

**For replacement installations:** Remove old bath, remove old wall material and remove old floor covering from area. Remove old plumbing which does not conform to roughing-in requirements.

## 9. SITE REQUIREMENTS

### A. OLD BATH REMOVAL

Disconnect the drain at the trap. Remove old wall material. **Slip boards under old bath feet to protect floor** and slide old bath out of recess as illustrated.



### B. SUBFLOOR PREPARATION

Check flooring under the bath and repair if necessary. Make sure that the subfloor is level. Seal subfloor to reduce the risk of water damage.

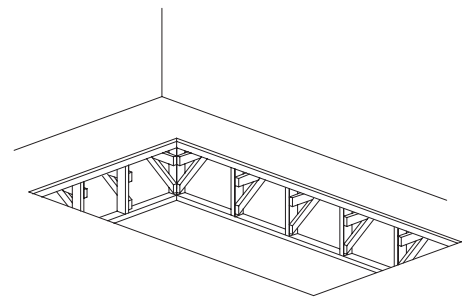
### C. STUD POCKET PREPARATION

Construct a recess designed for your particular installation. Framing is of 2 x 4 construction. Make sure you allow for access to the pump or power panel in the event the unit requires service. When constructing framing allow for thickness of sub and finished wall materials.

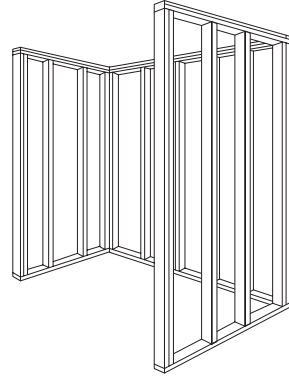
If an apron wall without a ledge is desired, the finished apron wall surface must be 1/32" under the bath rim.

Bath can be installed in a corner. Recess, peninsular or sunken installation is also possible. Possible studding arrangements are illustrated in 1. through 2. below; modifications may be needed for other types of construction.

1. **Sunken Installation:** For sunken installation, refer to Roughing-In notes located in Roughing-In section beginning on page 5 for cut-out detail. Make sure the bath is supported by the supporting blocks at the bottom of the bath.



2. **Recessed Installation:** Suggested stud construction is illustrated.



#### **D. PLUMBING PREPARATION**

Position plumbing according to roughing-in dimensions. Cap supplies and check for leaks.

### **10. BEFORE INSTALLING UNIT**

#### **A. TILING-IN BEAD INSTALLATION**

Before setting bath, an optional tiling-in bead is recommended to be applied to whatever side of the bath contacts the wall. Refer to Ordering Information located in Roughing-In section beginning on page 5. This bead prevents water from seeping between the bath and the wall. Install this bead now. Refer to Installation Instructions packed with the tiling-in bead.

#### **B. PARTIALLY INSTALL BATH DRAIN**

Install drain on bath/whirlpool according to manufacturer's instructions.

#### **C. PROTECT BATH UNIT**

Place a drop cloth or similar material in bath/whirlpool bottom. Be careful not to scratch product.

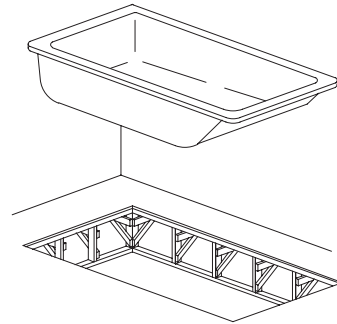
## 11. INSTALL WHIRLPOOL

### A. WHIRLPOOL SET-IN

Choose one of the three recommended options below that is best for your particular installation as described in 1., 2., or 3. Follow the appropriate instructions.

If subfloor is not level, some shimming of the bath and pump will be necessary. See 11.B. for height adjustment.

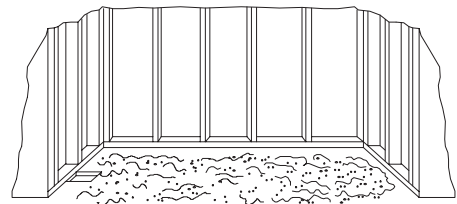
1. **Sunken Installation:** Set unit into sunken installation. Make sure the bath/whirlpool is level and is resting on all blocks. Insert the tailpiece into the trap. Apply a bead of RTV sealant under rim of the bath unit.



2. **Install Using Gypsum:** Place a 2" thick layer of gypsum cement (such as Gyp-Crete 2000) on the floor where the whirlpool is to be set. This will help secure, level and support the bath. Set bath into position. Clear any excess cement from vicinity of the pump.

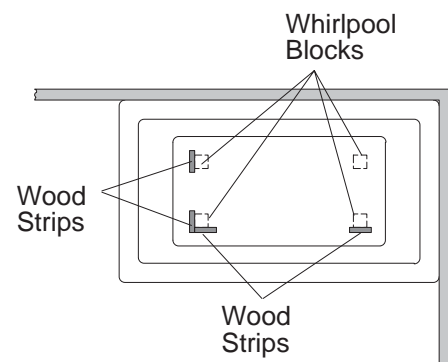
**NOTE: Pump bracket must sit flat on the floor.**

Insert tailpiece into trap. Make sure bath is level and resting on all supporting blocks.



3. **Install Using 1 x 2 Strips:** Set whirlpool in desired location and level. Nail 1 x 2 wood strips around blocks under the whirlpool to firmly hold it in position. It is not necessary to use strips on all blocks. They are only needed on blocks that are to the outside edges of your installation.

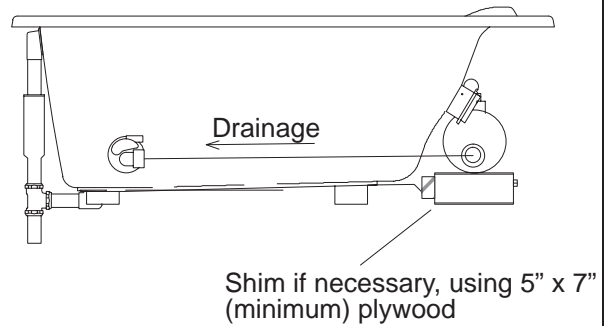
Insert tailpiece into trap. Make sure bath is level and resting on all supporting blocks.



## B. HEIGHT ADJUSTMENT

**NOTICE:** Steps B. and C. are necessary for making your Kohler Whirlpool operate more quietly.

If the subfloor is level, no adjustment is necessary; proceed to Step C. If the subfloor is not level, shim beneath pump bracket (plywood is recommended). Do not change the elevation of the pump relative to the whirlpool bath since this may affect performance. Use a 5 x 7 (minimum) piece of plywood.

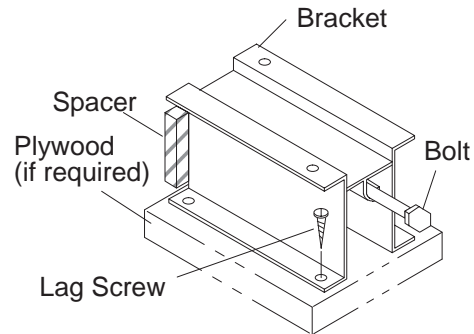


## C. SECURE WHIRLPOOL

Using four 1/4" x 1" lag screws, secure pump bracket to subfloor. Pre-drilling is recommended.

**CAUTION: Risk of product damage.** Do not use the piping or pump for structural support or positioning of whirlpools.

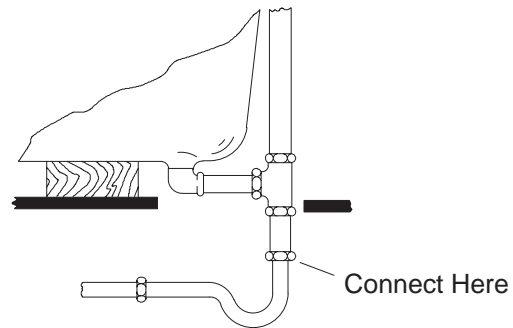
Use a 1/2" wrench to remove the long bolt securing the bracket to the bath.



## D. INSTALL PLUMBING

**CAUTION: Risk of damage to whirlpool bottom and subfloor.** Ensure watertight seal on bath drain connections.

1. When whirlpool is securely positioned, connect drain into trap. An access panel will simplify future maintenance.



2. Install the faucet valving and spout tee. If faucets are deck-mounted, the deck must be finished before handle trim and spout can be installed. Open hot and cold valves and check all supply connections for leaks.

3. Run water in whirlpool and check drain connection for leaks.



## 12. ELECTRICAL CONNECTIONS - AIR ACTUATOR VERSIONS

### A. IDENTIFY ELECTRICAL REQUIREMENTS

The model number is printed on a plate at the pump end of the module.

The model number identifies electrical rating. Electrical connections for each model vary.

- K-1201-AC, K-1206-AC, K-1211-AC,  
K-1216-AC, K-1221-AC: 60 Hz  
(Follow Step B. below.)
- K-1201-J1-AA, K-1201-J1-AB, K-1206-J1-AA,  
K-1206-J1-AB, K-1211-J1-AA, K-1211-J1-AB,  
K-1216-J1-AA, K-1221-J1-AA: 60 Hz  
(Follow Steps C. and D. below.)
- K-1201-JA-AA, K-1206-JA-AA, K-1211-JA-AA,  
K-1216-JA-AA, K-1221-JA-AA: 50 Hz  
(Follow Steps E. and F. below.)

See Electrical Requirements section on page 11 of Product Requirements.

### B. WIRING INFORMATION - 120 V, 60 HZ (EXCLUDING -J1 MODELS)



**WARNING: Risk of electrical shock.** To reduce the risk of electric shock, connect only to a properly grounded, grounding-type receptacle, protected by a Ground-Fault Circuit-Interrupter (GFCI). Do not remove the plug's grounding pin. Do not use a grounding adapter.

Your Kohler Whirlpool bath is equipped with a cord and plug. All wiring of the pump and control has been completed at the factory. A licensed electrician must install a GFCI protected, 120 Volt, 15 Amp, grounded outlet. Your whirlpool may then be plugged into this outlet. No other load should be on this circuit. Locate the outlet within reach of the 36" cord.

### C. LOCATE FIELD WIRING COMPARTMENT - 120 V, 60 HZ (-J1 MODELS ONLY)

**WARNING: Risk of electrical shock.** Make sure the power has been disconnected before performing the following procedures. Refer to Important Safety Instructions located on page 2.

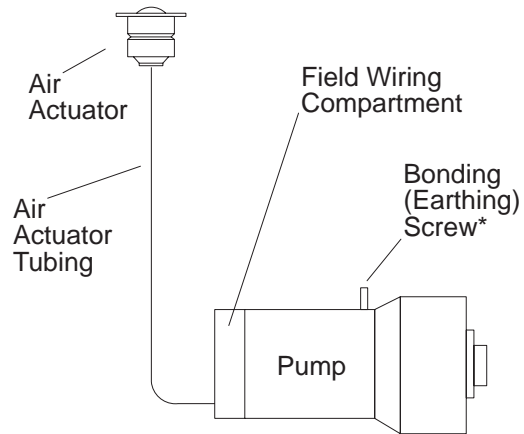
**CAUTION: Risk of electrical shock.** All services must have a Class A Ground-Fault Circuit-Interrupter (GFCI) which will provide additional protection against line-to-ground shock hazard.

A licensed electrician should make a routine service connection to the field wiring compartment of the pump containing black and white wires and ground screw.

**NOTE:** The electrician must supply a listed strain/relief bushing in accordance with local codes.

Remove air actuator tubing from pump by gently pulling. Next, remove the screw at the top of the pump near the strain relief bushing. Save screw. Loosen screw at bottom of pump. Remove pump cover to reveal field wiring compartment.

\* For bonding in accordance with National and Local Codes.

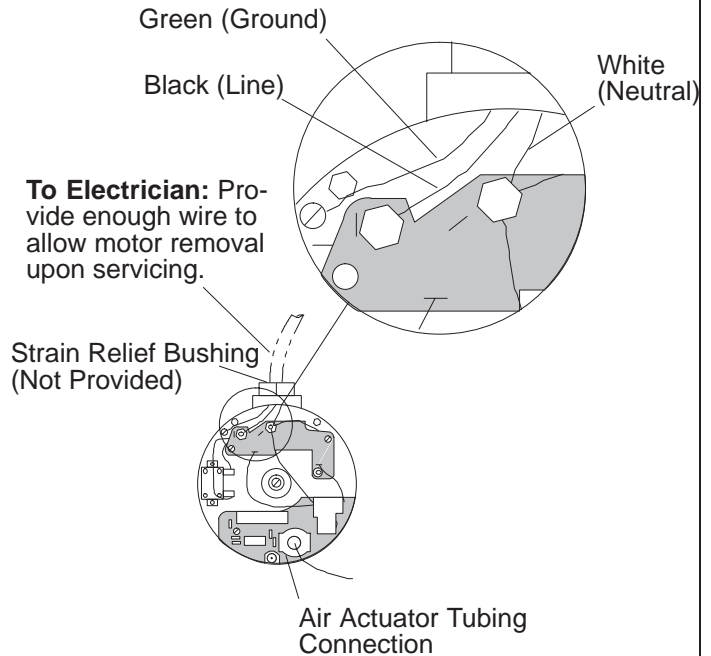


### D. FIELD WIRING DIAGRAM - 120 V, 60 HZ (-J1 MODELS ONLY)

The factory has prewired the whirlpool control system.

A 120 V, 15 A separate circuit is required. Provide a separate equipment grounding conductor for the inside grounding conductor for the inside grounding screw (14 AWG minimum). Ground **must not** be connected to any current-carrying conductor except at the main service breaker box (per National Electrical Code, Article 250-61-b).

Replace pump cover over field wiring compartment. Fasten screw through cover at hole near strain relief at top of pump. Tighten screw at bottom of pump. Snip off approximately 1" of air actuator tubing and reattach to pump. Make sure tubing is securely attached to pump.



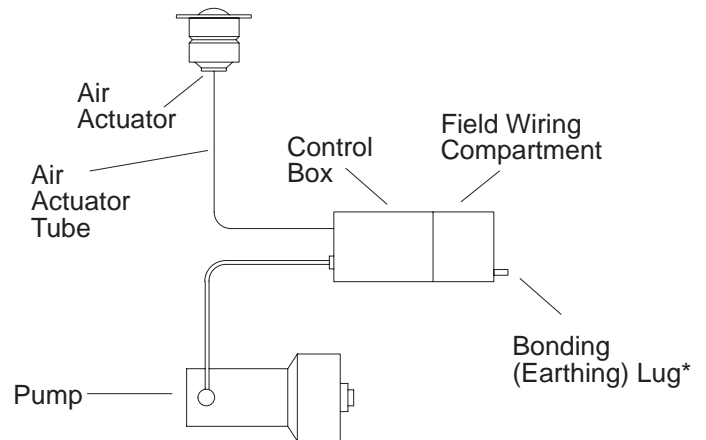
### E. FIELD WIRING CONTROL BOX COMPARTMENT - 230 V, 50 HZ

**⚠ WARNING: Risk of electrical shock.** Make sure the power has been disconnected before performing the following procedures. Refer to Important Safety Instructions located on page 2.

**⚠ CAUTION: Risk of electrical shock.** All services must have an Earth Leakage Circuit Breaker (ELCB) which will provide additional protection against line-to-ground shock hazard. A separate service is required for the whirlpool.

The whirlpool controls and system have been prewired at the factory. A licensed electrician should make a routine service connection to the field wiring compartment of the control box containing blue and brown wires and earth lug.

\* For bonding in accordance with National and Local Codes.

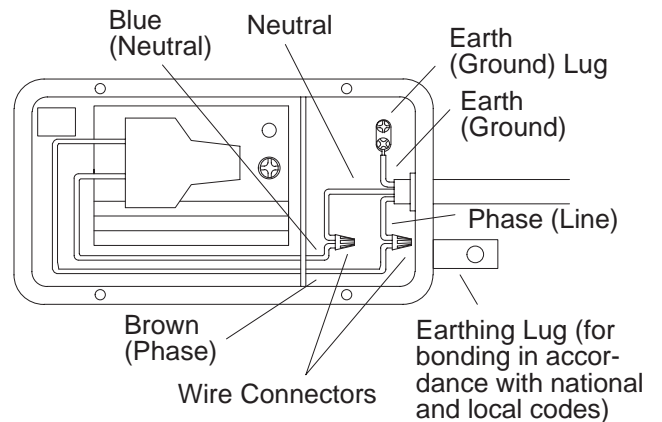


### F. CONNECT CONTROL BOX - 230 V, 50 HZ

Connect service to the field wiring compartment of the control box. The 50 Hz model control box contains blue and brown wires and earth lug.

A 230 V, 15 A, 50 Hz dedicated circuit is required. Provide an Earth Leakage Circuit Breaker.

Provide a separate equipment earthing conductor for the inside earth lug. The earthing conductor **must not** be connected to any current carrying conductor. Follow local electrical codes. A 230 V, 15A, 50 Hz separate circuit is required.



## 13. ELECTRICAL CONNECTIONS - WALL TIMER VERSIONS

### A. IDENTIFY ELECTRICAL REQUIREMENTS

The model number is printed on a plate at the pump end of the module.

The model number identifies electrical rating. Electrical connections for each model vary.

- K-1200-AC, K-1205-AC, K-1210-AC,  
K-1215-AC, K-1220-AC: 60 Hz

See Electrical Requirements section on page 11 of Product Requirements.

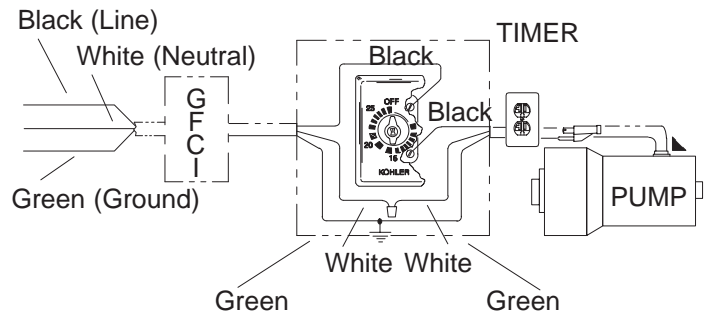
### B. WIRING INFORMATION - 120 V, 60 HZ – WALL TIMER VERSIONS

**⚠ DANGER: Risk of electrical shock.** Do not mount timer within reach of whirlpool user.

**⚠ WARNING: Risk of electrical shock.** To reduce the risk of electric shock, connect only to a properly grounded, grounding-type receptacle, protected by a Ground-Fault Circuit-Interrupter (GFCI). Do not remove the plug's grounding pin. Do not use a grounding adapter.

Your Kohler Whirlpool bath is equipped with a cord and plug. All wiring of the pump and control has been completed at the factory. A licensed electrician must install a GFCI protected, 120 Volt, 15 Amp, grounded outlet. Your whirlpool may then be plugged into this outlet. No other load should be on this circuit. Locate the outlet within reach of the 36" cord.

Install wiring from the GFCI to the wall timer location. Use a switch box with adequate capacity.



## 14. WATER TEST WHIRLPOOL & ELECTRONICS

Check all electrical connections. Make sure both connections to the pump are securely tightened.

Fill bath to a level at least 2" above the top of the highest jet.

Operate whirlpool for 5 minutes and check all whirlpool harness (piping) connections for leaks.

For additional information on whirlpool operation, see Whirlpool Start-Up Instructions on page 25.

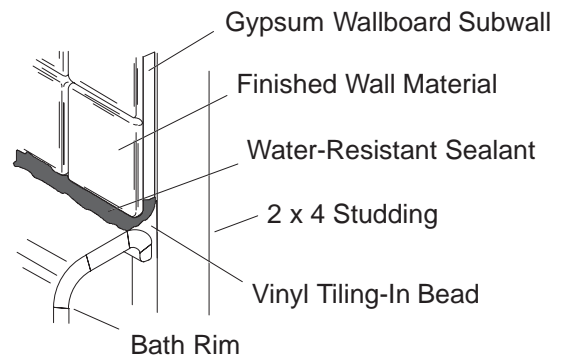
## 15. COMPLETE FINISH WALL



**CAUTION: Risk of product damage.** Do not support the weight of the whirlpool by the rim.

Protect whirlpool surface. Make sure the vinyl bead is attached securely to the sides being built into the wall. Cover framing and walls with gypsum wallboard.

Tape and mud drywall...seal drywall and joints under bath rim. Install finished wall material to subwall. Seal joints between the whirlpool rim and finished wall using silicone sealant.

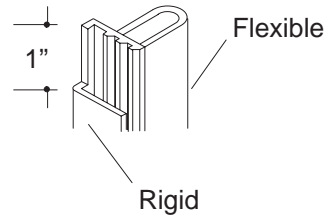


## 16. OPTIONAL K-1507 APRON INSTALLATION

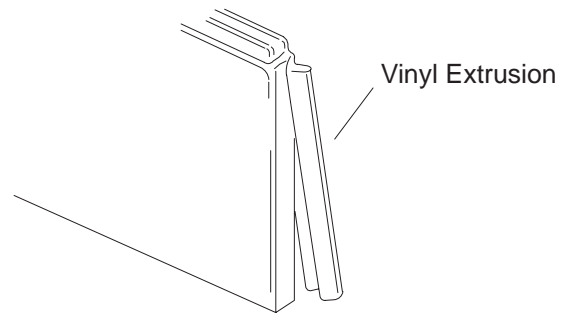
**NOTE:** For use with K-1205 and K-1206 models.

**NOTICE:** Before installing the optional K-1507 Apron: verify that both the finished floor and the bath rim are level (and therefore parallel to each other). This is necessary to ensure proper fit and appearance of the apron. This apron should be installed after the finished wall material is applied.

On one of the pieces of vinyl extrusion, use a hacksaw and trim away or notch about 1" (25 mm) of the top end rigid portion, leaving the flexible portion fully intact. Repeat operation for the extrusion which will be installed on opposite side of the apron. This procedure will provide a better fit upon final installation.



Install the vinyl extrusions on the right and left side of the apron.

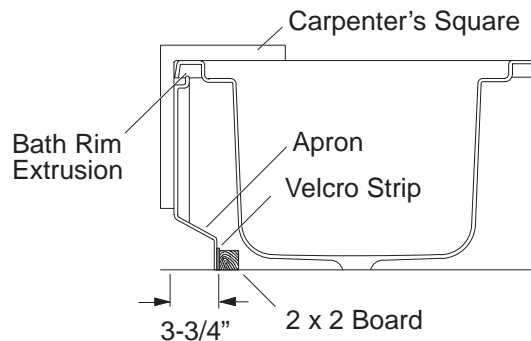


Cut a 4' length (approx.) of 2 x 2 batten board. Position the board on the floor so that it will be centered between the right and left sides of the apron, parallel with the bath rim (apron side), and 3-3/4" (95 mm) inboard of the bath rim outer edge (vertically-projected to the floor). Anchor the 2 x 2 board to the floor.

Remove the mating half of each velcro strip from the bottom of the apron. Staple the velcro strips to the front face of the 2 x 2 board.

Carefully insert the top lip of the apron into the extrusions on the underside of the bath rim. Press the base of the apron securely onto the velcro strips of the 2 x 2 board.

**NOTE:** The apron is removable to allow limited service access, if required.



## 17. OPTIONAL K-1515 APRON INSTALLATION

**NOTE: For use with K-1200 and K-1201 models.**

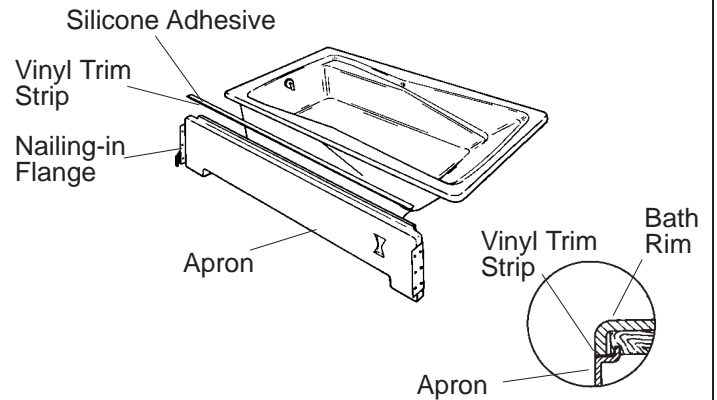
Make sure the bath is installed according to the instructions. Provide backing on each of the recessed walls for the nailing-in flange.

After bath is leveled and set, apply the vinyl trim strip to the bath. Carefully apply a 1/16" bead of clear silicone adhesive (provided) onto the vinyl strip as illustrated. Apply vinyl strip to the underside of the bath rim, being careful to align the lip of the strip to the bath rim as shown in the inset. Immediately wipe off any excess sealant.

Tilt apron and carefully slip apron into groove on underside of rim.

Temporarily tack a nail in the top hole of the nailing-in flange on each side of the apron and ensure that the apron is positioned as close to the bath rim as possible.

Plumb the apron and secure the nailing-in flange using #6d large-head galvanized nails.



## 18. COMPLETE INSTALLATION

### INSTALL HANDLES AND SPOUT

After the deck is finished, attach the handles and spout to complete faucet installation per manufacturer's instructions.

## 19. CLEAN-UP AFTER INSTALLATION

When cleaning up after installation, **do not use abrasive cleaners** as they may scratch and dull the module surface. Use warm water and one of the liquid detergents to clean the surface.

Stubborn stains, paint, or tar can be removed with turpentine or paint thinner. **Do not allow cleaners containing petroleum distillates to remain in contact with whirlpool surfaces for long periods of time.** Plaster can be removed by scraping with a wood edge. Do not use metal scrapers, wire brushes, or other metal tools. One of the powder-type detergents may be used on a damp cloth to provide mild abrasive action to the residual plaster.



## 20. CONFIRM PROPER OPERATION

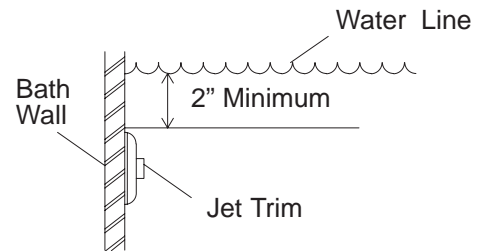
### A. START-UP WHIRLPOOL

Refer to Important Safety Instructions on page 2 before operating this whirlpool.

Please perform the following so that the owner may safely receive the benefits of whirlpool bathing.

1. Rotate jets so they are facing down toward basin.
2. Fill the whirlpool bath to a water level at least 2" above the top of the highest jet.

Water temperature in the whirlpool should not exceed 104°F (40°C).



### B. OPERATING SEQUENCE

Refer to chart for proper operating sequence.

1. Turn on the whirlpool jets. Adjust each jet for optimum air/water mixture.
2. A built-in timer automatically stops the motor after 20 minutes of operation.

TO	METHOD	OBSERVE
Turn on whirlpool massage.		
Add air to whirlpool action, rotate flange counter-clockwise. To reduce air, turn clockwise.	Reduce Air  Add Air	
Shut off whirlpool.		
Restart whirlpool after 20 minute cycle is complete.		

## C. TROUBLESHOOT WHIRLPOOL SYSTEM

This troubleshooting guide is for general aid only. A Kohler Authorized Service Representative or a qualified electrician should correct all electrical problems. For warranty service, contact your dealer or wholesale distributor.

SYMPTOMS	PROBABLE CAUSES	RECOMMENDED ACTION
1. Whirlpool does not start/stop.	A. No power to pump/power module.	A. Set/Reset GFCI/ELCB breaker; check wiring to power module.
	B. Air actuator tubing disconnected, loose, kinked, plugged or damaged.	B. Connect, straighten, clean or replace tubing.
	C. Faulty air actuator.	C. Replace air actuator.
	D. Faulty motor/pump assembly.	D. Rebuild or replace motor and pump assembly.
2. Motor starts, all jets are not functioning.	A. Jet is closed.	A. Rotate jets counterclockwise to open.
	B. Trim kit installed incorrectly.	B. Reinstall trim kit, checking for damage to O-Ring.
	C. Jets are blocked.	C. Remove blockage.
3. Motor turns, water is pumping, but there is no air injection.	A. No aspiration at jets.	A. Rotate jets counterclockwise.
	B. Jet O-Rings are missing.	B. Replace jet O-Rings.
4. Whirlpool stops automatically before 18 minutes.	A. GFCI/ELCB trips.	A. Identify source of fault and correct.
	B. Suction blocked.	B. Remove obstruction.
	C. Jets are blocked.	C. Remove blockage.
	D. Motor overheated and protection device activated.	D. Check for blockage at motor vents. Remove blockage and allow motor to cool. Check for suction blockage. Remove blockage and allow motor to cool. Check for jet blockage. Remove blockage and allow motor to cool.
5. Whirlpool does not automatically stop after 22 minutes.	A. Faulty timer mechanism.	A. Replace timer board.
	B. Wiring error.	B. Refer to dealer.





**KOHLER®**

