

American Standard

Installation Instructions

GREEN TEA ACCESSORIES

TOWEL RING

ROBE HOOK

DOUBLE ROBE HOOK

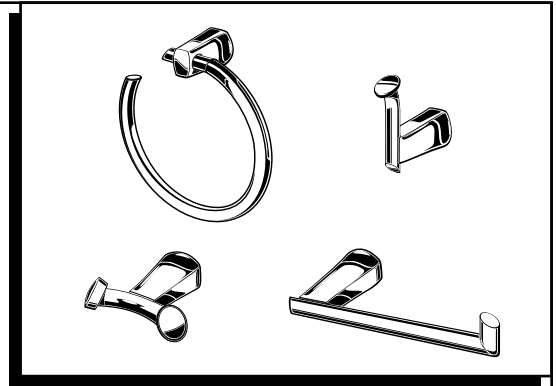
TISSUE HOLDER

7010.190

7010.210

7010.211

7010.230



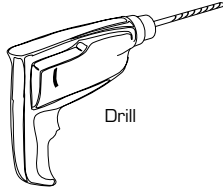
Certified to comply with ANSI A112.18.1

M968630 Rev. 1.1

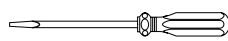
Recommended Tools



Tape Measure



Drill



Regular Screwdriver



Phillips Screwdriver

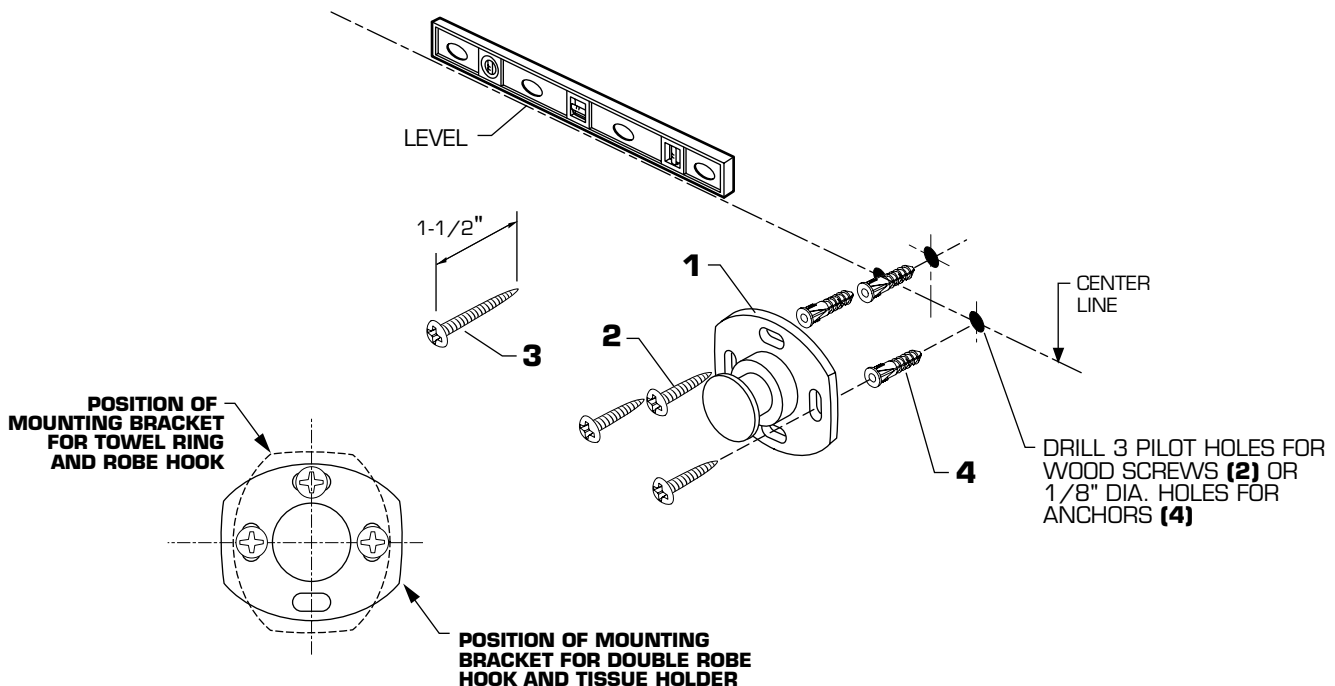
CARE INSTRUCTIONS:

DO: SIMPLY RINSE THE PRODUCT CLEAN WITH CLEAR WATER. DRY WITH A SOFT COTTON FLANNEL CLOTH.

DO NOT: CLEAN THE PRODUCT WITH SOAPS, ACID, POLISH, ABRASIVES, HARSH CLEANERS, OR A CLOTH WITH A COARSE SURFACE.

1 TOWEL RING, ROBE HOOK and TISSUE HOLDER MOUNTING BRACKET INSTALLATION

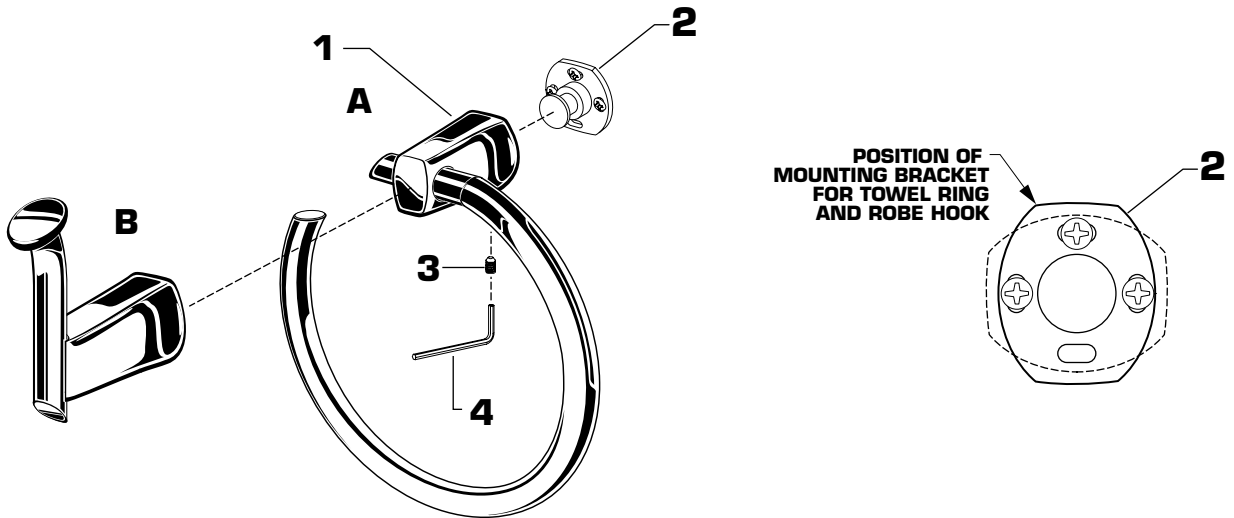
- The TOWEL RING, ROBE HOOK and TISSUE HOLDER work best if secured to a wall stud or cross brace within the wall, using 1-1/2" long SCREWS (3) not supplied.
- If the TOWEL RING, ROBE HOOK and TISSUE HOLDER are to be installed on a tile or plaster wall the ANCHORS (4) and SCREWS (2) should be used.
- Determine desired height and location (optional) for the accessory and mark a center line. If MOUNTING BRACKET (1) is secured to a stud or cross brace drill small pilot holes for SCREWS (3). **(NOTE PROPER POSITION OF MOUNTING BRACKET FOR ACCESSORY TO BE INSTALLED.)**
- **For installations on drywall or tiled walls,** use ANCHORS (4) and SCREWS (2) for securing MOUNTING BRACKETS (1) to wall. Use MOUNTING BRACKET (1) as a template and mark the mounting holes. Drill three 1/8" diameter holes a minimum of 1-1/4" deep. Insert the three ANCHORS (4) flush with face of the finished wall.
- Secure MOUNTING PLATES (1) to wall with SCREWS (2).



2 TOWEL RING INSTALLATION

- Align accessory **(A, B)** and place ESCUTCHEON **(1)** onto MOUNTING BRACKET **(2)**. Secure accessory with SET SCREW **(3)** using 2.5mm HEX WRENCH **(4)** supplied.

(NOTE POSITION OF MOUNTING BRACKET.)



3 ROBE HOOK AND TISSUE HOLDER INSTALLATION

- Align accessory **(C, D)** and place ESCUTCHEON **(1)** onto MOUNTING BRACKET **(2)**. Secure accessory with SET SCREW **(3)** using 2.5mm HEX WRENCH **(4)** supplied.

(NOTE POSITION OF MOUNTING BRACKET.)

