

Fisher-Price®

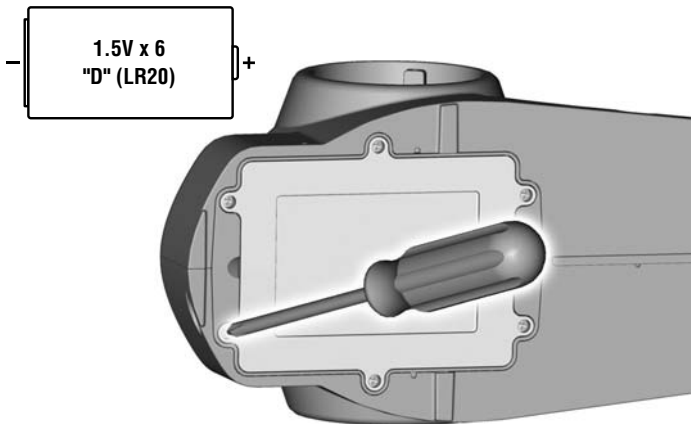
T0792

- Please keep these instructions for future reference, as they contain important information.
- Requires six "D" (LR20) alkaline batteries (not included) for operation.
- Adult assembly is required for battery installation. Tool required for battery installation: Phillips screwdriver (not included).



www.fisher-price.com

Battery Installation



- Locate the battery compartment on the bottom of the toy.
- Loosen the screws in the battery compartment door and remove the door.
- Insert six, new "D" (LR20) **alkaline** batteries.

Hint: We recommend **alkaline** batteries for longer battery life.

- Replace the battery compartment door and tighten the screws.
- If this product begins to operate erratically, you may need to reset the electronics. Slide the power switch off and then back on.
- If the golf balls do not float in fan mode or do not release in tee mode, it's time for an adult to change the batteries.



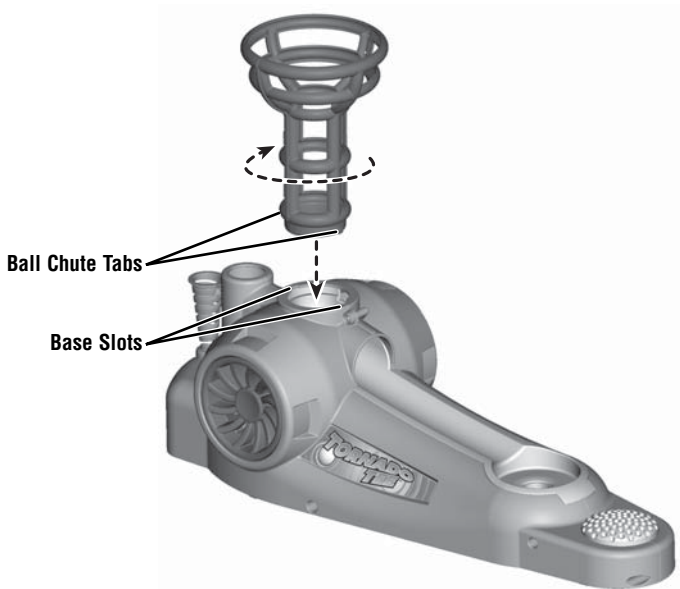
- Protect the environment by not disposing of this product with household waste (2002/96/EC). Check your local authority for recycling advice and facilities (Europe only).

Battery Safety Information

In exceptional circumstances, batteries may leak fluids that can cause a chemical burn injury or ruin your product. To avoid battery leakage:

- Do not mix old and new batteries or batteries of different types: alkaline, standard (carbon-zinc) or rechargeable (nickel-cadmium).
- Insert batteries as indicated inside the battery compartment.
- Remove batteries during long periods of non-use. Always remove exhausted batteries from the product. Dispose of batteries safely. Do not dispose of product in a fire. The batteries inside may explode or leak.
- Never short-circuit the battery terminals.
- Use only batteries of the same or equivalent type as recommended.
- Do not charge non-rechargeable batteries.
- Remove rechargeable batteries from the product before charging.
- If removable, rechargeable batteries are used, they are only to be charged under adult supervision.

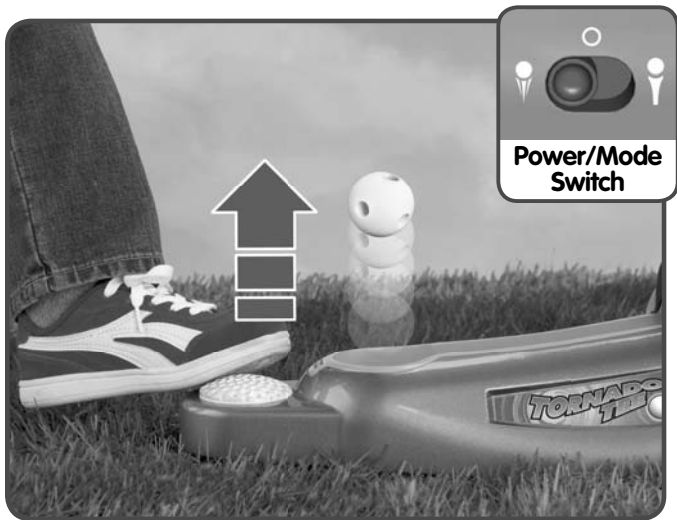
Setup




- Fit the tabs on the bottom of the ball chute into the slots into the opening on the base.
- Turn the ball chute to lock in place.
- Pull up on the ball chute to be sure it is secure.

Tornado Action!

Swing at the golf ball while it "magically" floats in the air!



- Slide the power/mode switch to fan mode . Place the golf balls into the chute.
- Press the golf ball button on the base to release a ball. Watch the ball roll down the ramp and "magically" float!
- Hit the ball with the plastic golf club!
- Press the golf ball button again to release the next ball.



CONSUMER ASSISTANCE

1-800-432-5437 (US & Canada)

1300 135 312 (Australia)

 service.fisher-price.com

Fisher-Price, Inc., 636 Girard Avenue, East Aurora, NY 14052.
Hearing-impaired consumers: 1-800-382-7470.

Outside the United States:

Canada: Mattel Canada Inc., 6155 Freemont Blvd.,
Mississauga, Ontario L5R 3W2; www.service.mattel.com.

Great Britain: Mattel UK Ltd, Vanwall Business Park,
Maidenhead SL6 4UB. Helpline: 01628 500303.
www.service.mattel.com/uk

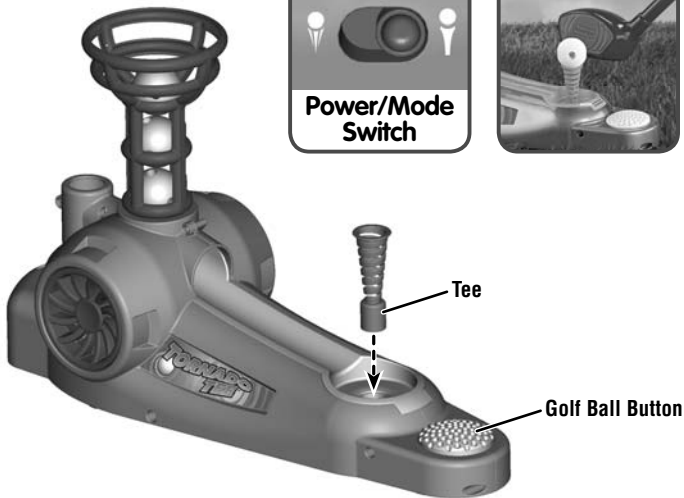
Australia: Mattel Australia Pty. Ltd., 658 Church Street,
Locked Bag #870, Richmond, Victoria 3121 Australia.


New Zealand: 16-18 William Pickering Drive,
Albany 1331, Auckland.

Fisher-Price, Inc., a subsidiary of Mattel, Inc., East Aurora, NY 14052 U.S.A.
©2009 Mattel, Inc. All Rights Reserved. ® and ™ designate U.S. trademarks of Mattel, Inc.

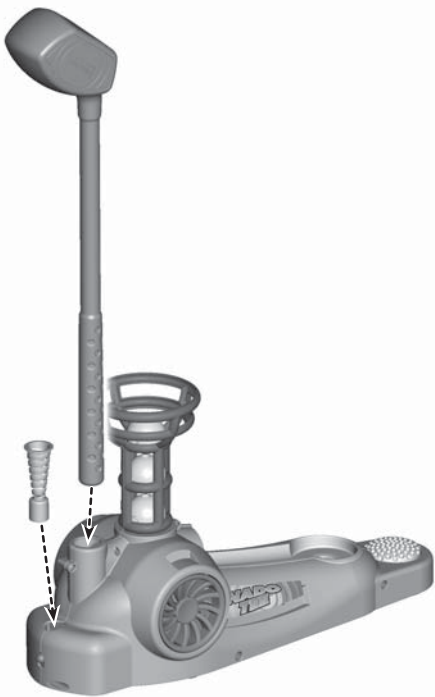
Tee Action!


Use tee mode during windy conditions,
or to practice your swing.



- Fit the tee into the hole at the end of the base, as shown.
- Slide the power/mode switch to tee mode . Place the golf balls into the chute.
- Press the golf ball button to release a golf ball.
- Pick up the golf ball and set it on the tee. Hit the golf ball off the tee with the plastic golf club!

Storage



- Store the plastic golf club and tee into the sockets in the back of the base.
- When you are finished playing with this toy, slide the power/mode switch OFF .

FCC Statement (United States Only)

This equipment has been tested and found to comply with the limits for a Class B digital device, pursuant to Part 15 of the FCC Rules. These limits are designed to provide reasonable protection against harmful interference in a residential installation. This equipment generates, uses and can radiate radio frequency energy and, if not installed and used in accordance with the instructions, may cause harmful interference to radio communications. However, there is no guarantee that interference will not occur in a particular installation. If this equipment does cause harmful interference to radio or television reception, which can be determined by turning the equipment off and on, the user is encouraged to try to correct the interference by one or more of the following measures:

- Reorient or relocate the receiving antenna.
- Increase the separation between the equipment and receiver.
- Consult the dealer or an experienced radio/TV technician for help.

Note: Changes or modifications not expressly approved by the manufacturer responsible for compliance could void the user's authority to operate the equipment.

This device complies with Part 15 of the FCC Rules. Operation is subject to the following two conditions: (1) this device may not cause harmful interference and (2) this device must accept any interference received, including interference that may cause undesired operation.

ICES-003

This Class B digital apparatus complies with Canadian ICES-003. Operation is subject to the following two conditions: (1) this device may not cause harmful interference and (2) this device must accept any interference received, including interference that may cause undesired operation.

NMB-003

Cet appareil numérique de la classe B est conforme à la norme NMB-003 du Canada. L'utilisation de ce dispositif est autorisée seulement aux conditions suivantes: (1) il ne doit pas produire de brouillage et (2) l'utilisateur du dispositif doit être prêt à accepter tout brouillage radioélectrique reçu, même si ce brouillage est susceptible de compromettre le fonctionnement du dispositif.

Tips & Care

- Be sure that when your child is swinging the plastic golf club, there are no other children around this toy.
- This toy is designed for use with golf balls and plastic golf club (both included). It is not designed for use with real golf clubs or regulation golf balls.
- Do not use outdoors when it is raining or there is wet grass. The golf balls will not float properly in fan mode.
- Wipe this toy with a clean cloth dampened with a mild soap and water solution. Do not immerse this toy.
- This toy has no consumer serviceable parts. Do not take this toy apart.
- Do not leave this product outdoors. Store this product indoors when not in use.