



Fisher-Price®

R6302

**Please keep this instruction sheet for future reference,
as it contains important information.**

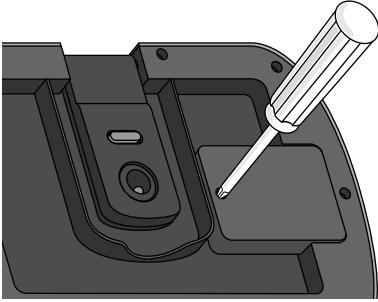
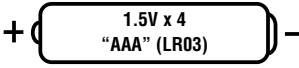
Requires four "AAA" (LR03) alkaline batteries (not included) for operation.

Adult assembly is required for battery installation.

Tool required for battery installation: Phillips screwdriver (not included).

www.fisher-price.com

Battery Installation



- Locate the battery compartment on the bottom of the toy.
 - Loosen the screw in the battery compartment door with a Phillips screwdriver. Remove the battery compartment door.
 - Insert four, new “AAA” (LR03) **alkaline** batteries.
- Hint: We recommend **alkaline** batteries for longer battery life.*
- Replace the battery compartment door and tighten the screw.
 - If this toy begins to operate erratically, you may need to reset the electronics. Remove the batteries and replace them.
 - When lights from this toy become faint or stop, it's time for an adult to change the batteries.



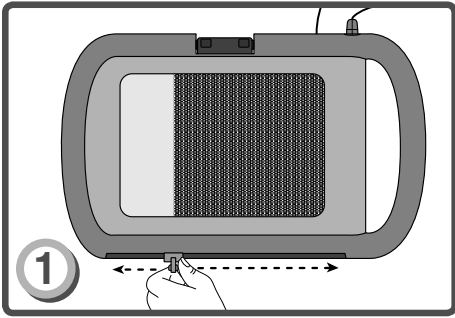
- Protect the environment by not disposing of this product with household waste (2002/96/EC). Check your local authority for recycling advice and facilities (Europe only).

Battery Safety Information

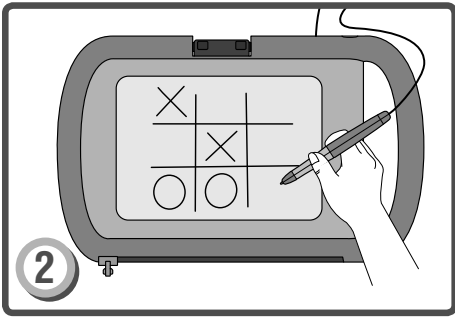
In exceptional circumstances, batteries may leak fluids that can cause a chemical burn injury or ruin your product. To avoid battery leakage:

- Do not mix old and new batteries or batteries of different types: alkaline, standard (carbon-zinc) or rechargeable (nickel-cadmium).
- Insert batteries as indicated inside the battery compartment.
- Remove batteries during long periods of non-use. Always remove exhausted batteries from the product. Dispose of batteries safely. Do not dispose of product in a fire. The batteries inside may explode or leak.
- Never short-circuit the battery terminals.
- Use only batteries of the same or equivalent type, as recommended.
- Do not charge non-rechargeable batteries.
- Remove rechargeable batteries from the product before charging.
- If removable, rechargeable batteries are used, they are only to be charged under adult supervision.

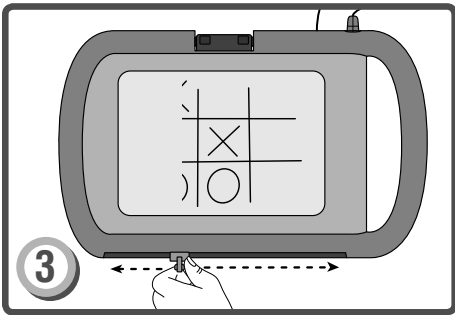
On-the-go fun!



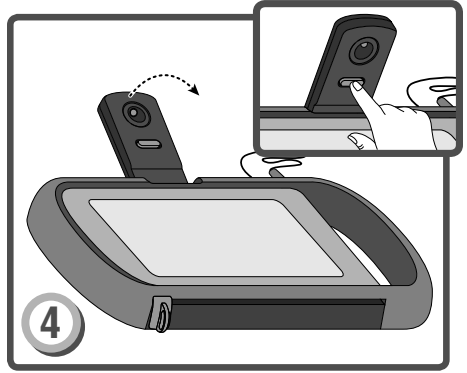
IMPORTANT! Before first-time use, completely darken the drawing screen with the drawing pen. Slide the eraser lever slowly side to side to clear the drawing screen. Repeat this procedure several times to enable the drawing screen to create the clearest, darkest images.



• Use the drawing pen to write messages, create your own drawings or play games.



• **To erase the drawing screen**, slide the eraser lever slowly side to side. Now you can create a new design!



- Flip up the light and press the button to light up your drawings!
- The light will stay on for approximately three minutes. Press the button to turn the light on again.

IMPORTANT! To avoid damage to the drawing screen keep this toy away from extreme heat sources such as ovens, heaters and radiators.



Do not apply heavy pressure or force to the drawing screen. Heavy pressure is not necessary and could damage the drawing screen. A light touch makes a dark line.



Use only the drawing pen included. Do not use any other object on the drawing screen.

Consumer Information



CONSUMER ASSISTANCE
1-800-432-5437 (US & Canada)
1300 135 312 (Australia)

service.fisher-price.com

Fisher-Price, Inc., 636 Girard Avenue, East Aurora, NY 14052.
Hearing-impaired consumers: 1-800-382-7470.

Outside the United States:

Canada: Mattel Canada Inc., 6155 Freemont Blvd.,
Mississauga, Ontario L5R 3W2; www.service.mattel.com.

Great Britain: Mattel UK Ltd, Vanwall Business Park,
Maidenhead SL6 4UB. Helpline: 01628 500303.
www.service.mattel.com/uk

Australia: Mattel Australia Pty. Ltd., 658 Church Street,
Locked Bag #870, Richmond, Victoria 3121 Australia.

New Zealand: 16-18 William Pickering Drive,
Albany 1331, Auckland.

Care

- Wipe this toy with a clean cloth dampened with a mild soap and water solution. Do not immerse this toy.
- This toy has no consumer serviceable parts. Do not take this toy apart.

ICES-003

- This Class B digital apparatus complies with Canadian ICES-003.
- Operation is subject to the following two conditions: (1) this device may not cause harmful interference and (2) this device must accept any interference received, including interference that may cause undesired operation.

NMB-003

- Cet appareil numérique de la classe B est conforme à la norme NMB-003 du Canada.
- L'utilisation de ce dispositif est autorisée seulement aux conditions suivantes :
(1) il ne doit pas produire de brouillage et
(2) l'utilisateur du dispositif doit être prêt à accepter tout brouillage radioélectrique reçu, même si ce brouillage est susceptible de compromettre le fonctionnement du dispositif.

FCC Statement (United States Only)

This equipment has been tested and found to comply with the limits for a Class B digital device, pursuant to Part 15 of the FCC Rules. These limits are designed to provide reasonable protection against harmful interference in a residential installation.

This equipment generates, uses and can radiate radio frequency energy and, if not installed and used in accordance with the instructions, may cause harmful interference to radio communications. However, there is no guarantee that interference will not occur in a particular installation. If this equipment does cause harmful interference to radio or television reception, which can be determined by turning the equipment off and on, the user is encouraged to try to correct the interference by one or more of the following measures:

- Reorient or relocate the receiving antenna.
- Increase the separation between the equipment and receiver.
- Consult the dealer or an experienced radio/TV technician for help.

Note: Changes or modifications not expressly approved by the manufacturer responsible for compliance could void the user's authority to operate the equipment.

This device complies with Part 15 of the FCC Rules. Operation is subject to the following two conditions: (1) this device may not cause harmful interference and (2) this device must accept any interference received, including interference that may cause undesired operation.