

Fisher-Price®

K7273

Musical Learning Chair™

with activity table

Please keep this instruction sheet for future reference, as it contains important information.

Requires three "AA" batteries (included).

Adult assembly is required.

Tool required for assembly:
Phillips screwdriver
(not included).



Laugh & Learn™

www.fisher-price.com

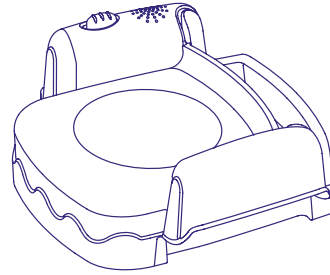
Before Use

CAUTION

Please keep small parts such as plastic tabs out of children's reach. Throw the plastic tab away.

Note: A plastic tab is attached to the toy for in-store demonstration purposes. While the tab may have already been removed, check the chair bottom to be sure. If the plastic tab is still attached, pull and remove the tab from the toy. Throw the plastic tab away.

Parts



Seat Bottom

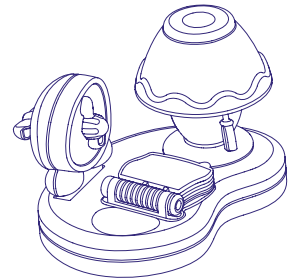
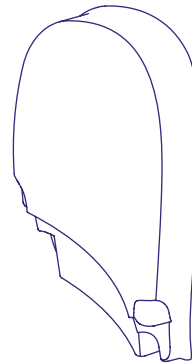


Table Top



Seat Back

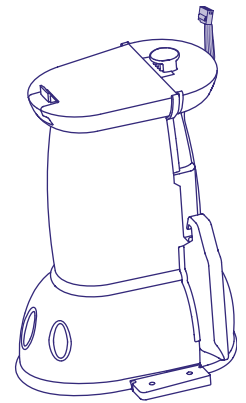
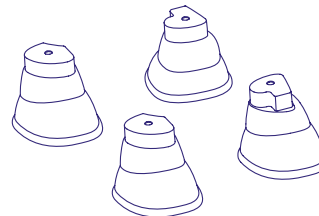
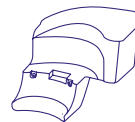


Table Base



4 Legs



Plastic Connector

3.5mm x 18mm Screw – 10
Shown Actual Size



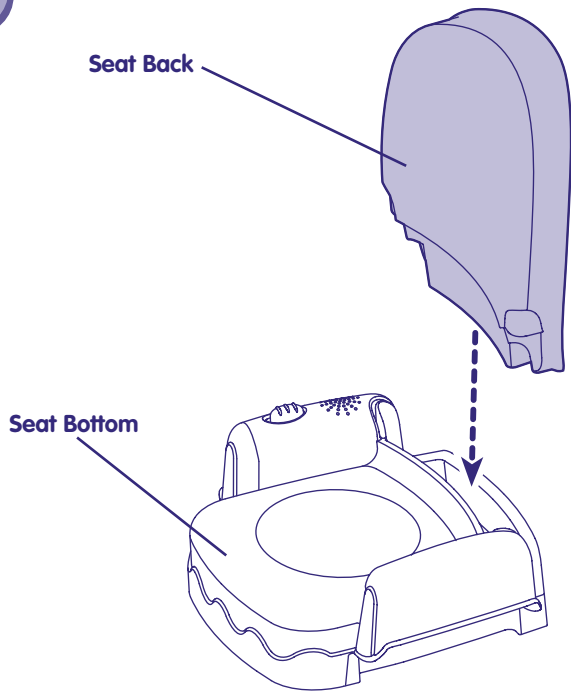
Note: Tighten or loosen all screws with a Phillips screwdriver. Do not over-tighten the screws.

Assembly

⚠ CAUTION

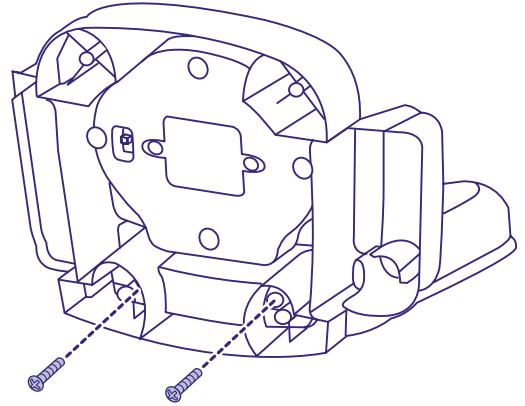
This toy contains small parts in its unassembled state. Adult assembly is required.

1



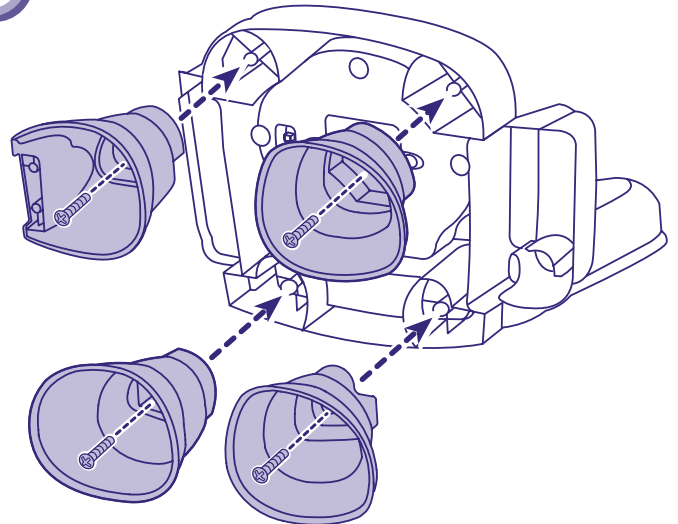
- Fit the seat back into the seat bottom, as shown.

2



- Position the chair assembly so the bottom is facing you.
- Insert two screws into the chair bottom. Tighten the screws.

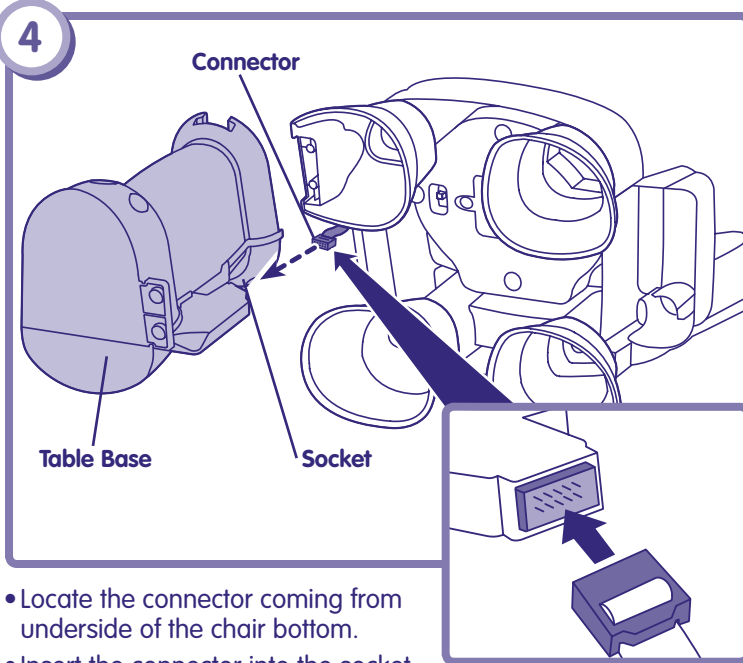
3



- Fit the four legs to the chair bottom, as shown.
- Note:** Each leg fits in only one location.
- Insert a screw into each leg. Tighten the screws.

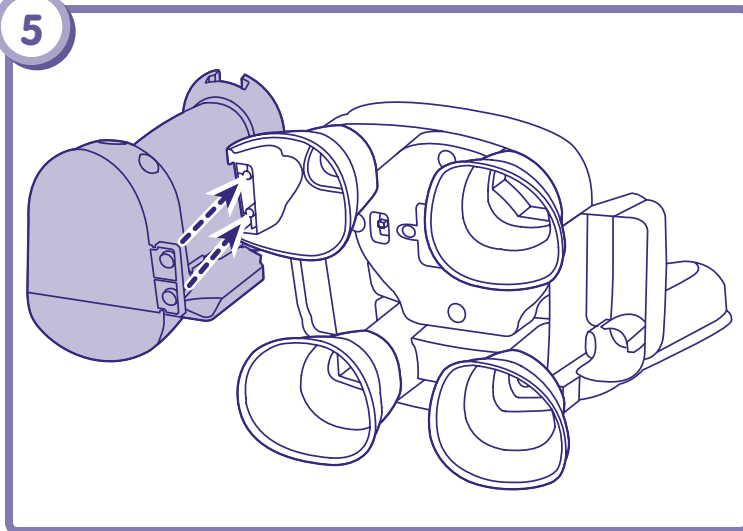
Assembly

4



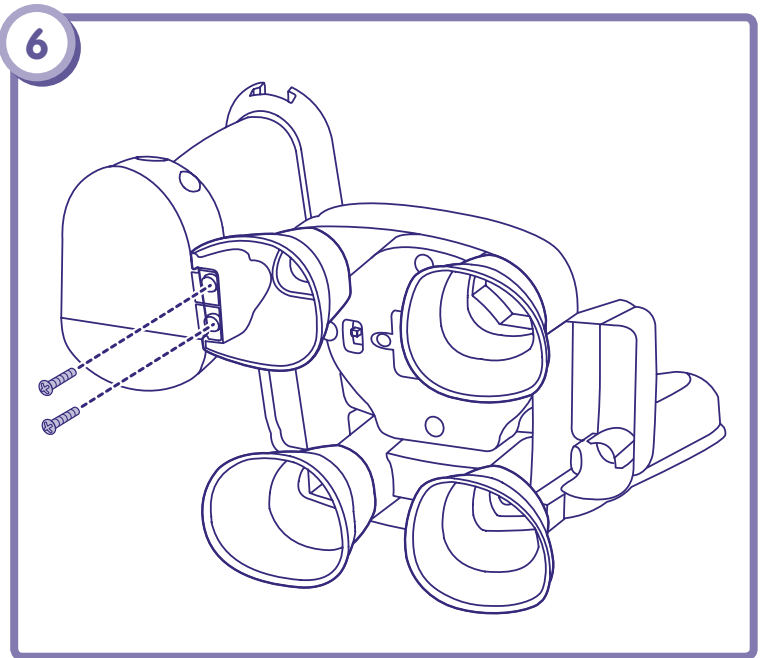
- Locate the connector coming from underside of the chair bottom.
- Insert the connector into the socket on the table base, as shown.

5



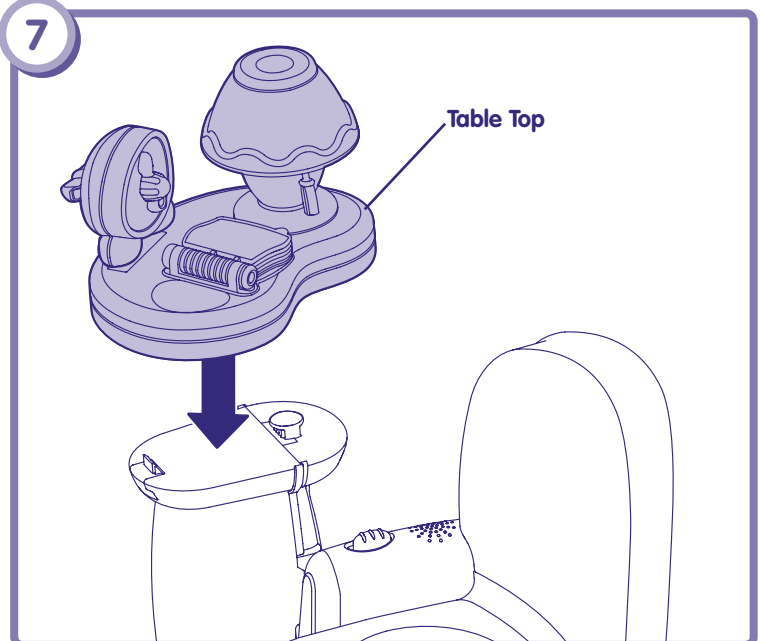
- Slide the table base onto the chair assembly, as shown.

6



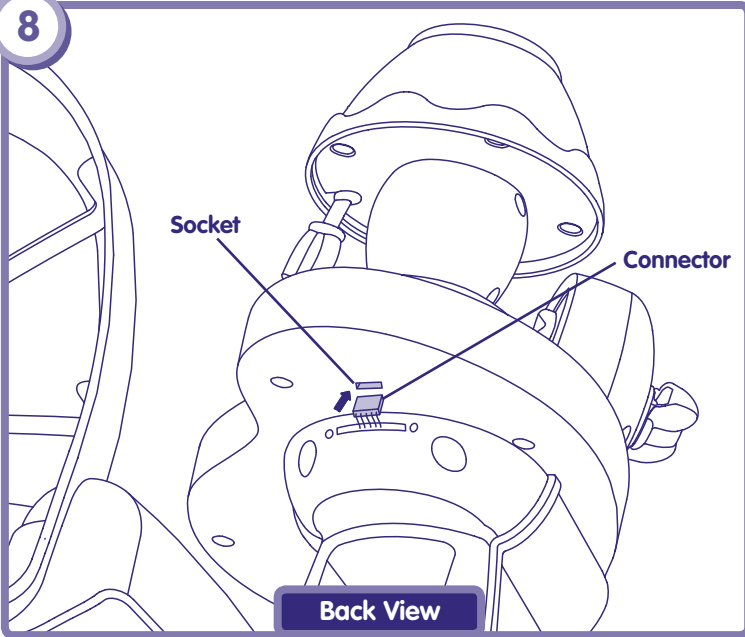
- Insert two screws through the table base and into the leg. Tighten the screws.

7



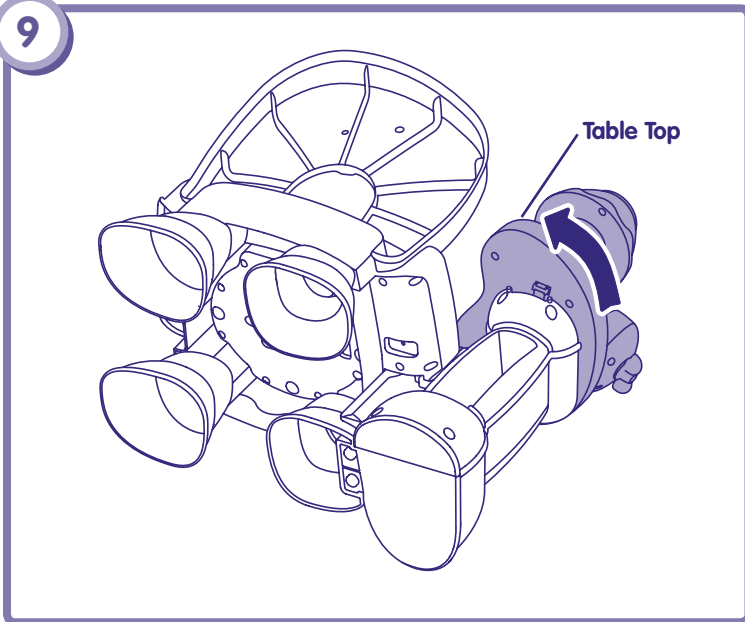
- Turn the assembly upright.
 - Press down firmly to "snap" the table top onto the table base.
- Note:** This may require some force.

8



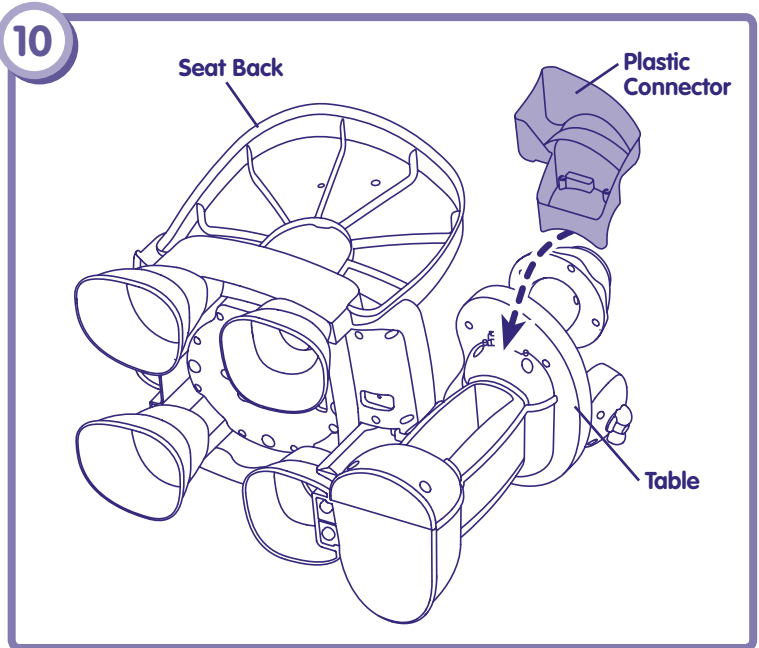
- Locate the connector coming from the table base.
- Insert and “snap” the connector into the socket on the underside of the table top.
- Tuck the excess wire from the connector back down into the opening in the table base.

9



- Turn the table top left, towards the seat back, as far as it will go.
- Hint:** You may need to hold the table top in this position for the next two assembly steps (10 and 11).

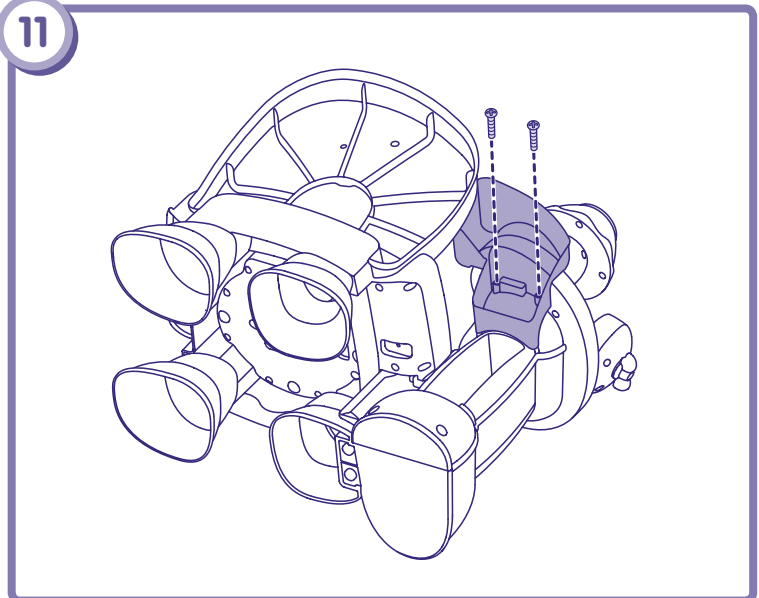
10



- Fit the plastic connector to the back of the table and in front of the seat back.

Note: Make sure the plastic connector is in front of the seat back.

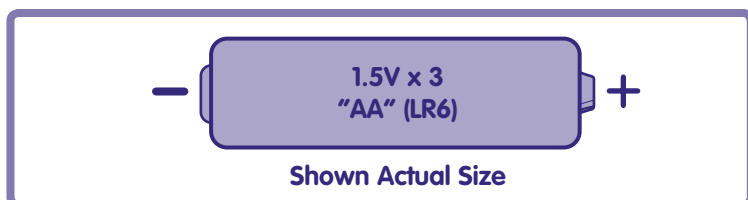
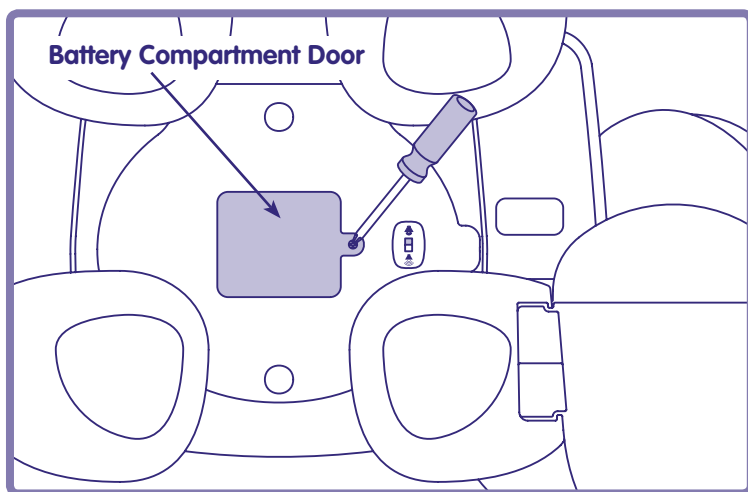
11



- Align the holes in the plastic connector with the holes in the table. Insert two screws into the plastic connector and tighten.

Assembly is now complete.


Battery Replacement



For best performance, we recommend replacing the batteries that came with this toy with three, new alkaline "AA" (LR6) batteries.

- Locate the battery compartment on the underside of the chair.
- Loosen the screw in the battery compartment door. Remove the battery compartment door. Remove the batteries and throw them away.
- Insert three "AA" (LR6) **alkaline** batteries, as indicated inside the battery compartment.

Hint: We recommend using **alkaline** batteries for longer battery life.

- Replace the battery compartment door and tighten the screw.
 - When lights or sounds from this toy become faint or stop, it's time for an adult to change the batteries!
-  • Protect the environment by not disposing of this product with household waste (2002/96/EC). Check your local authority for recycling advice and facilities (Europe only).

Battery Safety Information

In exceptional circumstances, batteries may leak fluids that can cause a chemical burn injury or ruin your product. To avoid battery leakage:

- Do not mix old and new batteries or batteries of different types: alkaline, standard (carbon-zinc) or rechargeable (nickel-cadmium).
- Insert batteries as indicated inside the battery compartment.
- Remove batteries during long periods of non-use. Always remove exhausted batteries from the product. Dispose of batteries safely. Do not dispose of this product in a fire. The batteries inside may explode or leak.
- Never short-circuit the battery terminals.
- Use only batteries of the same or equivalent type, as recommended.
- Do not charge non-rechargeable batteries.
- Remove rechargeable batteries from the product before charging.
- If removable, rechargeable batteries are used, they are only to be charged under adult supervision.

FCC Statement

United States Only

This equipment has been tested and found to comply with the limits for a Class B digital device, pursuant to Part 15 of the FCC Rules. These limits are designed to provide reasonable protection against harmful interference in a residential installation. This equipment generates, uses and can radiate radio frequency energy and, if not installed and used in accordance with the instructions, may cause harmful interference to radio communications. However, there is no guarantee that interference will not occur in a particular installation. If this equipment does cause harmful interference to radio or television reception, which can be determined by turning the equipment off and on, the user is encouraged to try to correct the interference by one or more of the following measures:

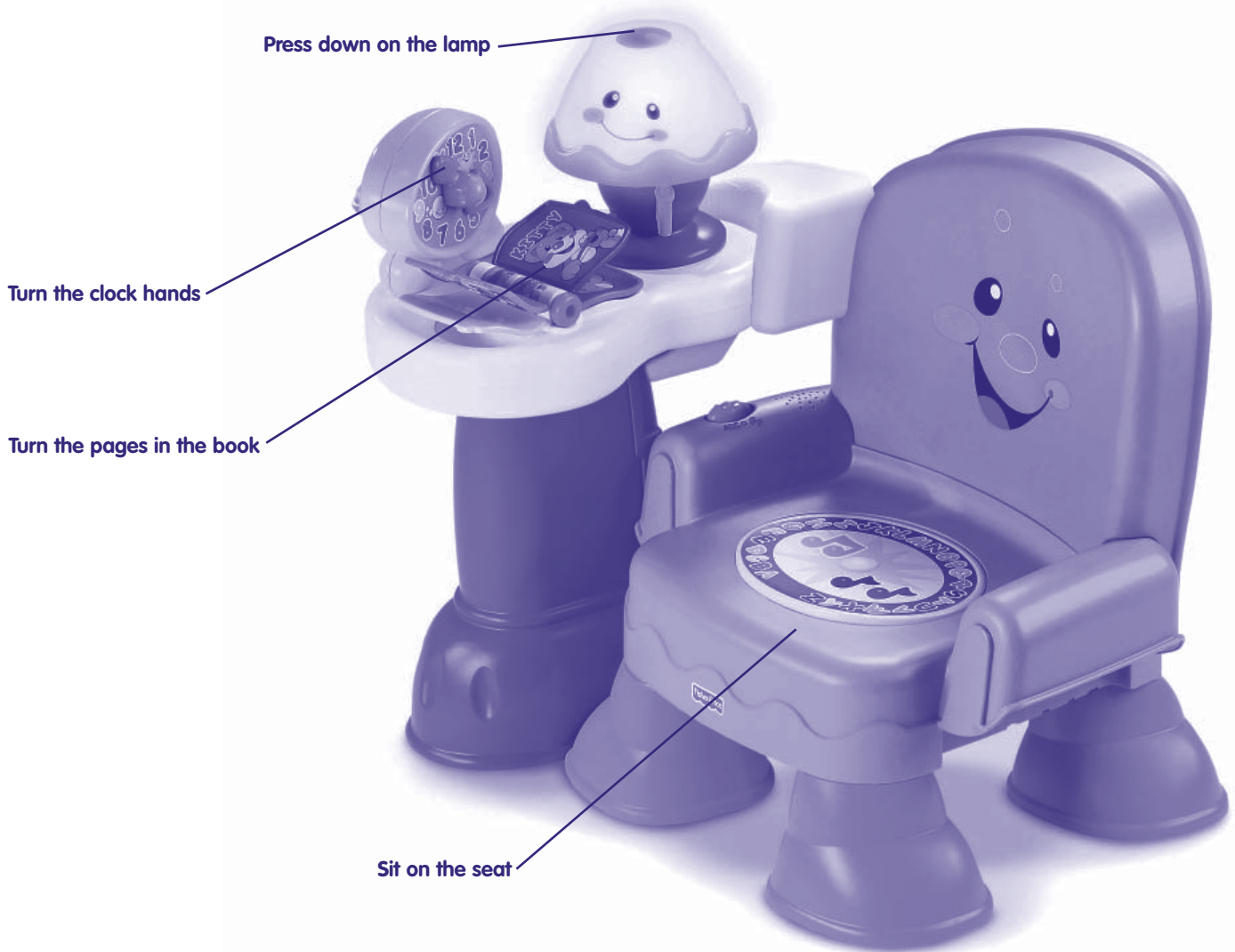
- Reorient or relocate the receiving antenna.
- Increase the separation between the equipment and receiver.
- Consult the dealer or an experienced radio/TV technician for help.

Note: Changes or modifications not expressly approved by the manufacturer responsible for compliance could void the user's authority to operate the equipment.

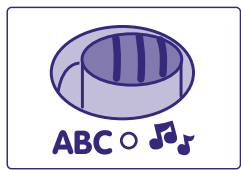
Care

- Wipe this toy with a clean cloth dampened with a mild soap and water solution. Do not immerse this toy.
- This toy has no consumer serviceable parts. Do not take this toy apart.

Two Interactive Play Modes!

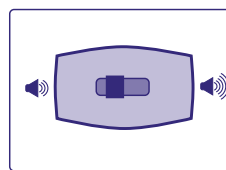


Mode Switch



- Locate the mode switch on the armrest.
- Slide the mode switch to either **ABC** learning mode or music mode 🎵.
- When your child is finished playing with this toy, slide the mode switch off ○.

Volume Switch



- Locate the volume switch on the underside of the chair.
- Adjust the volume to high 🗣️ or low 🗣️, for your child's comfort.

ABC Learning Mode

- Sit on the "magic" seat to hear the A-B-C song.
- Turn the book pages to learn about each animal and hear the sound it makes.
- Turn the clock hands to hear a fun counting song.
- Press down on the lamp to light up colored lights and learn about on and off.

🎵 Music Mode

- Sit on the "magic" seat to hear a song. Stand up to stop the song. Sit down to resume.
- Turn the book pages to hear a song and sound effect for each animal.
- Turn the clock hands to hear Hickory Dickory Dock.
- Press down on the lamp to light up colored lights and hear a short ditty.

Consumer Information

Visit us on-line at www.service.fisher-price.com

Call Fisher-Price® Consumer Relations, toll-free at **1-800-432-5437**, 9 AM - 7 PM EST Monday through Friday and 11 AM-7 PM EST Saturday. Hearing-impaired consumers using TTY/TDD equipment, please call 1-800-382-7470. Write to us at: Fisher-Price® Consumer Relations, 636 Girard Avenue, East Aurora, New York 14052.

Learn every day - through fun, familiar play!

Make learning more fun with the whole collection of **Laugh & Learn™** toys. With rich music, lyrics and lots of activities, they combine early academics and everyday experiences, for the way kids really learn.

Each sold separately and subject to availability.



G6685



C6327



C6324



G6167



C6325



C5522



G9452



C6513



H6372



J2462



J4013

For countries outside the United States:

CANADA: Questions? 1-800-432-5437. Mattel Canada Inc., 6155 Freemont Blvd., Mississauga, Ontario L5R 3W2; www.service.mattel.com

GREAT BRITAIN: Mattel UK Ltd, Vanwall Business Park, Maidenhead SL6 4UB. Helpline: 01628 500303; www.service.mattel.com/uk

AUSTRALIA: Mattel Australia Pty. Ltd., 658 Church Street, Locked Bag #870, Richmond, Victoria 3121 Australia. Consumer Advisory Service 1300 135 312.

NEW ZEALAND: 16-18 William Pickering Drive, Albany 1331, Auckland.

ASIA: Mattel East Asia Ltd, Room 1106, South Tower, World Finance Centre, Harbour City, Tsimshatsui, HK, China.